

READ ME ! ⚠

Thank you for purchasing a 270 Degree Awning Quick Release Adaptor Plate.

Before you start, take a moment to familiarize yourself with the Fitting Instructions and the included components.

Refer to Page 2 for a list of all the components, quantities and tools required.

IMPORTANT WARNING! ⚠

IT IS CRITICAL THAT ALL FRONT RUNNER PRODUCTS BE PROPERLY AND SECURELY ASSEMBLED AND ATTACHED TO YOUR VEHICLE. IMPROPER ATTACHMENT COULD RESULT IN AN AUTOMOBILE ACCIDENT, AND COULD CAUSE SERIOUS BODILY INJURY OR DEATH. YOU ARE RESPONSIBLE FOR ASSEMBLING AND SECURING ALL FRONT RUNNER PRODUCTS TO YOUR VEHICLE, CHECKING THE ATTACHMENTS PRIOR TO USE, AND PERIODICALLY INSPECTING THE PRODUCTS FOR ADJUSTMENT, WEAR AND DAMAGE. THEREFORE, YOU MUST READ AND UNDERSTAND ALL OF THE INSTRUCTIONS AND PRECAUTIONS SUPPLIED WITH YOUR FRONT RUNNER PRODUCT PRIOR TO INSTALLATION OR USE. IF YOU DO NOT UNDERSTAND ALL OF THE INSTRUCTIONS AND CAUTIONS, OR IF YOU HAVE NO MECHANICAL EXPERIENCE AND ARE NOT THOROUGHLY FAMILIAR WITH THE INSTALLATION PROCEDURES, YOU SHOULD HAVE THE PRODUCT INSTALLED BY A PROFESSIONAL INSTALLER OR OTHER QUALIFIED PERSONNEL.

NOTE: Front Runner will not be responsible for any damage caused by the failure to install the product according to these instructions.

Please call us if you have any questions about the installation of this product.

1

GET ORGANIZED

IN THE BOX

1	2 X	Adaptor Plate
2	2 X	Spacer/Stiffener Plate
3	8 X	M8 x 20 Hex Bolt
4	8 X	M8 x 16 x 1.6 Flat Washer
5	8 X	M8 Nyloc Nut
6	8 X	M8 Nut Cap

TOOLS NEEDED

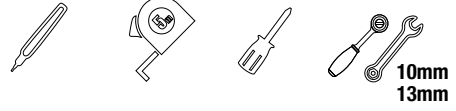
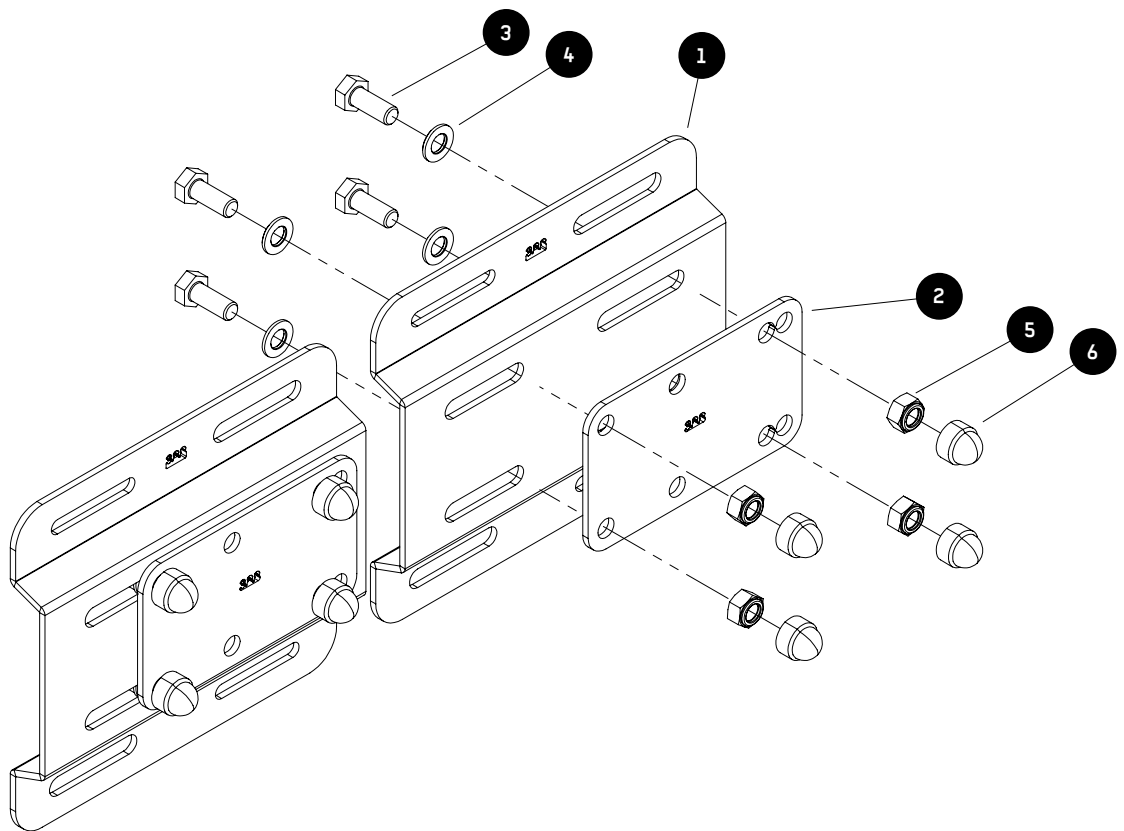
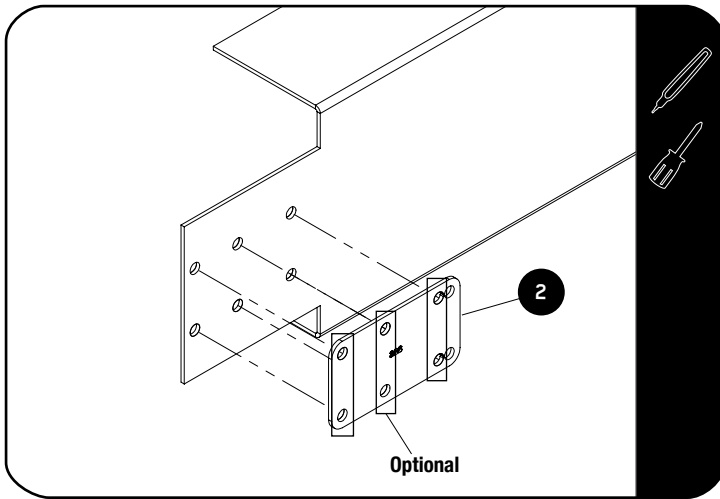


FIGURE 1.1



2.1

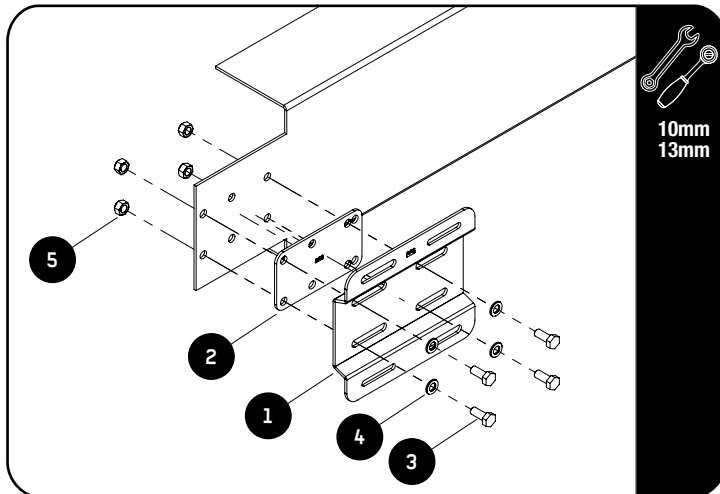


Starting on the Pivot End of the Awning, align the Spacer/Stiffener Plate (Item 2) with the Holes on the awning as shown. This should be on the outside of the awning cover.

Mark the holes on the cover and punch through.

The Middle Holes are optional, as only four fixing points are necessary

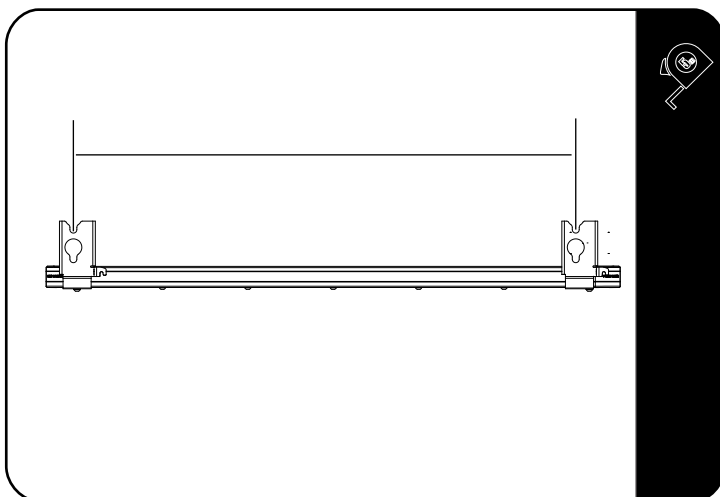
2.2



Using the M8 x 20 Hex Bolts, M8 x 16 x 1.6 Flat Washers and M8 Nyloc Nuts (Items 3, 4 & 5), secure the Adaptor Plate (Item 1) and the Spacer/Stiffener Plate (Item 2) to the awning, as shown.

Using the Hardware supplied in RRAC323, attach the above mentioned assembly to the Latch Plate Assembly (RRAC323), leaving the Adaptor Plate to slide freely in the slots - follow Steps 2.8 and 2.9 in the RRAC323 installation instructions.

2.3

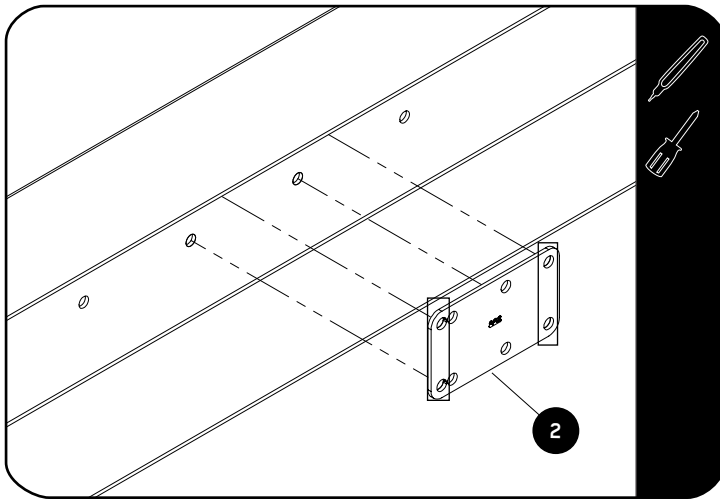


Measure the space between the two Base Bracket Assemblies (RRAC323) already installed on the Roof Rack, to determine the best position for the remaining Adaptor Plate (Item 1)

2

FIT AND SECURE

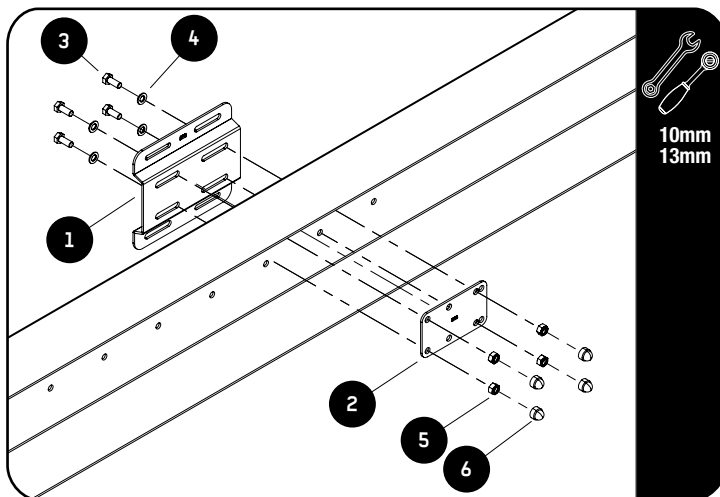
2.4



Align the remaining Spacer/Stiffener Plate with the most suitable holes on the inside of the awning channel.

Mark the holes on the cover and punch through.

2.5



Using the M8 x 20 Hex Bolts, M8 x 16 x 1.6 Flat Washers and M8 Nyloc Nuts (Items 3, 4 & 5), secure the Adaptor Plate (Item 1) and the Spacer/Stiffener Plate (Item 2) to the awning, as shown.

Using the Hardware supplied in RRAC323, attach the assembly to the Latch Plate Assembly (RRAC323).

Continue with Step 2.10 in the installation instructions of RRAC323.

Tighten all fasteners and place M8 Nut Caps (Item 6) on all M8 Nyloc Nuts.



Tightening Torque:

M8 : 15-20Nm / 11.06 ft lb - 14.75 ft lb

3

FINISH

Congratulations! You did it. Take a step back and admire your work!

4

INSTALL OTHER VEHICLE AND RACK ACCESSORIES

Now's the time to visit your favorite Front Runner Dealer in person or online.

Be sure to tag us. We love to see our gear in action! #FrontRunnerOutfitters

Share your adventures on:

