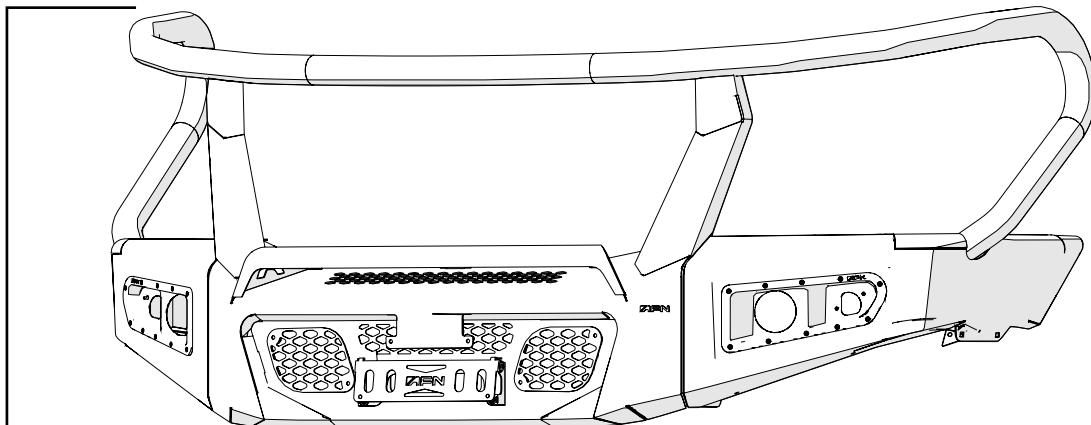


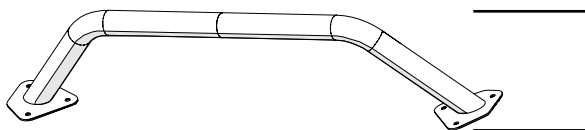
Fitting Instructions

Mercedes Sprinter

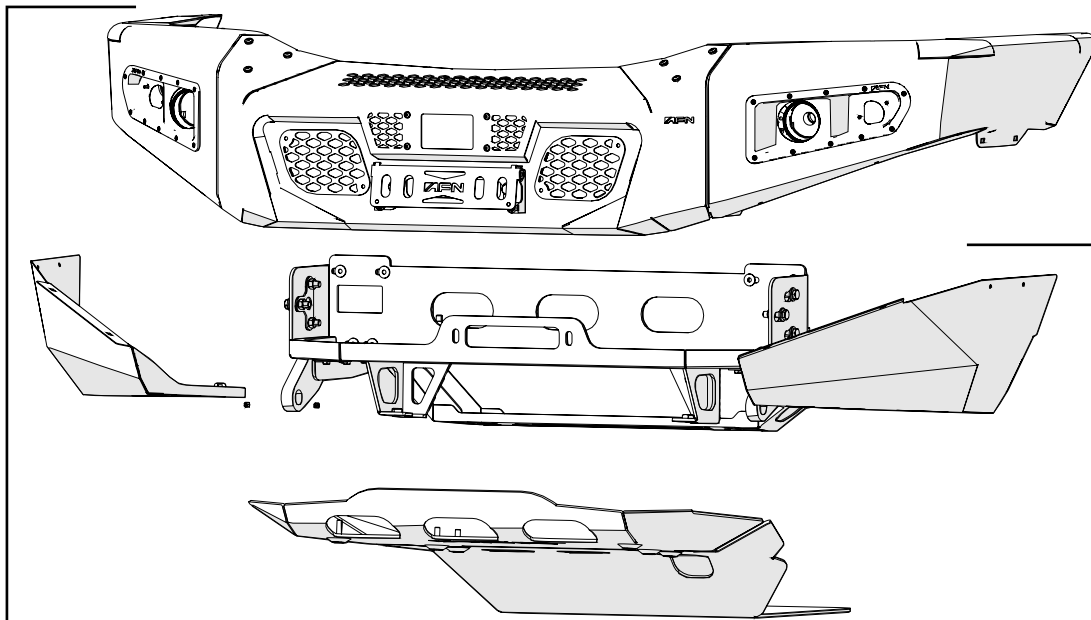
REF: 48002743



REF: 48002914



REF: 48002913



REF: 48002743

This manual contains the **Mercedes Sprinter** fitting instructions for:

Bull Bar w/ Fog Lights REF: 48002743

Front Bumper w/ Fog Lights REF: 48002913

Bolt on - A Bar REF: 48002914

AFN 4x4 Accessories

Product: **Front Bumper w/ Fog Lights**
Ref: **48002913**

Product: **Bolt on - A Bar**
Ref: **48002914**

Product: **Front Bumper w/ Fog Lights**
Ref: **48002743**

Checklist	3
Product 48002913	
Product 48002914	

Fitting Instructions	4
Step 1	5
Step 2	6
Step 3	7
Step 4	8
Step 5	9
Step 6	10
Step 7	11
Bolt on - A Bar Ref.: 48002914	12
Final Result	13

CHECKLIST

- In this section you have a checklist with all parts included for the installation of your AFN product
- This product should be installed as demonstrated in the product fitting instructions
- If verified that any component is damaged, please contact your nearest AFN distributor
- The specified parts will only fit in the models specified by AFN
- Do not modify any component of the product

This checklist is for product **48002913**, **48002743** and **48002914**.

REF.: 48002913 and 48002743

NUMBER	DESCRIPTION	REFERENCE	QTY	NUMBER	DESCRIPTION	REFERENCE	QTY																																				
1	Front Bumper	47002897	1x	31	Bolt M12x40	45001437	12x																																				
2	Fog Lights Kit (Left Side)	48002545	1x	32	Rubber Nut	45001269	4x																																				
3	Fog Lights Kit (Right Side)	48002544	1x	33	Washer M8 (big)	45001267	8x																																				
4	Bumper Grill (Left Side)	47002585	1x	34	Bolt M6x20	45001257	12x																																				
5	Bumper Grill (Right Side)	47002584	1x	35	Washer M6	45001256	8x																																				
6	Wing (Left Side)	46009890	1x	36	Washer M8	45001255	12x																																				
7	Wing (Right Side)	46009889	1x	37	Bolt M10x35	45001166	10x																																				
8	Plate Bracket (Not include for USA)	47002665	1x	38	Bolt M3,5x16	45001123	8x																																				
9	Skid Plate Bracket	47002434	1x	39	Bolt M4,2x16 STANLESS STEEL	45001114	8x																																				
10	Winch Mount	47002432	1x	40	Plastic Nut M3,5	45001113	4x																																				
11	Radar Bracket	46011898	1x	41	Bolt M6x25 STANLESS STEEL	45001538	2x																																				
12	Radar Clamp	46011800	1x	42	Nylock Nut M12 (small) STANLESS STEEL	45001033	2x																																				
13	Radar Cover	46011370	1x	43	Cage Nut M6	45001012	2x																																				
14	Reinforcement Bracket (Left)	46009912	1x	44	Washer M12 (small) STANLESS STEEL	45000995	2x																																				
15	Reinforcement Bracket (Right)	46009911	1x	45	Nylock Nut M8	45000018	8x																																				
16	Set of adjustable brackets for weldex fog lights	48002853	1x	46	Bull Bar	47002733	1x																																				
17	AFN Daylight (Left Side)	47002089	1x	<h2>REF.: 48002914</h2> <table border="1"> <thead> <tr> <th>NUMBER</th> <th>DESCRIPTION</th> <th>REFERENCE</th> <th>QTY</th> </tr> </thead> <tbody> <tr> <td>1</td> <td>Bolt on - A bar</td> <td>47002899</td> <td>1x</td> </tr> <tr> <td>2</td> <td>A-bar reinforcement (Right)</td> <td>47002901</td> <td>1x</td> </tr> <tr> <td>3</td> <td>A-bar reinforcement (Left)</td> <td>47002900</td> <td>1x</td> </tr> <tr> <td>4</td> <td>Plate w/ Welded Nuts (Right)</td> <td>47002912</td> <td>1x</td> </tr> <tr> <td>5</td> <td>Plate w/ Welded Nuts (Left)</td> <td>47002911</td> <td>1x</td> </tr> <tr> <td>6</td> <td>Bolt M8x20</td> <td>45001870</td> <td>6x</td> </tr> <tr> <td>7</td> <td>Bolt M8x20</td> <td>45001536</td> <td>6x</td> </tr> <tr> <td>8</td> <td>Washer M8</td> <td>45001255</td> <td>6x</td> </tr> </tbody> </table>				NUMBER	DESCRIPTION	REFERENCE	QTY	1	Bolt on - A bar	47002899	1x	2	A-bar reinforcement (Right)	47002901	1x	3	A-bar reinforcement (Left)	47002900	1x	4	Plate w/ Welded Nuts (Right)	47002912	1x	5	Plate w/ Welded Nuts (Left)	47002911	1x	6	Bolt M8x20	45001870	6x	7	Bolt M8x20	45001536	6x	8	Washer M8	45001255	6x
NUMBER	DESCRIPTION	REFERENCE	QTY																																								
1	Bolt on - A bar	47002899	1x																																								
2	A-bar reinforcement (Right)	47002901	1x																																								
3	A-bar reinforcement (Left)	47002900	1x																																								
4	Plate w/ Welded Nuts (Right)	47002912	1x																																								
5	Plate w/ Welded Nuts (Left)	47002911	1x																																								
6	Bolt M8x20	45001870	6x																																								
7	Bolt M8x20	45001536	6x																																								
8	Washer M8	45001255	6x																																								
18	AFN Daylight (Right Side)	47002088	1x																																								
19	Front Skid Plate	46009894	1x																																								
20	Sump Skid Plate	46009894	1x																																								
21	Led Fog Light - H8	45001987	2x																																								
22	Side Shim 4mm	45011967	2x																																								
23	Side Shim 2mm	45011966	2x																																								
24	Plate w/ Welded Nuts M8	47002435	2x																																								
25	Lock Nut M12	47002436	2x																																								
26	Aluminium Sleeves M10	46010539	10x																																								
27	Bolt M10x35	45001238	10x																																								
28	Lock Nut M8	45001637	4x																																								
29	Nylock Nut M6	45001522	6x																																								
30	Bolt M8x30	45001456	12x																																								

FITTING INSTRUCTIONS

WARNING:

Before you begin installation, read all instructions thoroughly.
 Proper tools will improve the quality of installation and reduce the time required.

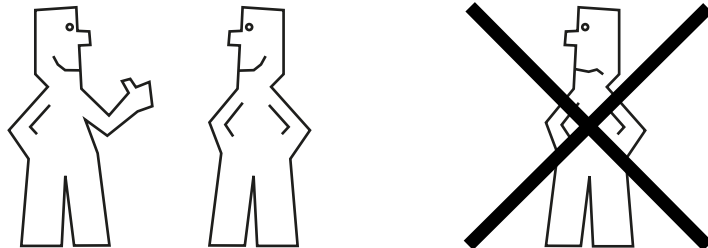
- This product should be installed as demonstrated in the *Product «Fitting Instructions»*;
- The specified parts, will only fit the models specified by **AFN**;
- Do not modify any component of the product;
- It is recommended that this product is installed by specialized and trained personnel;
- AFN doesn't take responsibility for changes made in the vehicle by its manufacturer;
- Work safely and use specialized tools at all times;
- **Always use protective gear.**



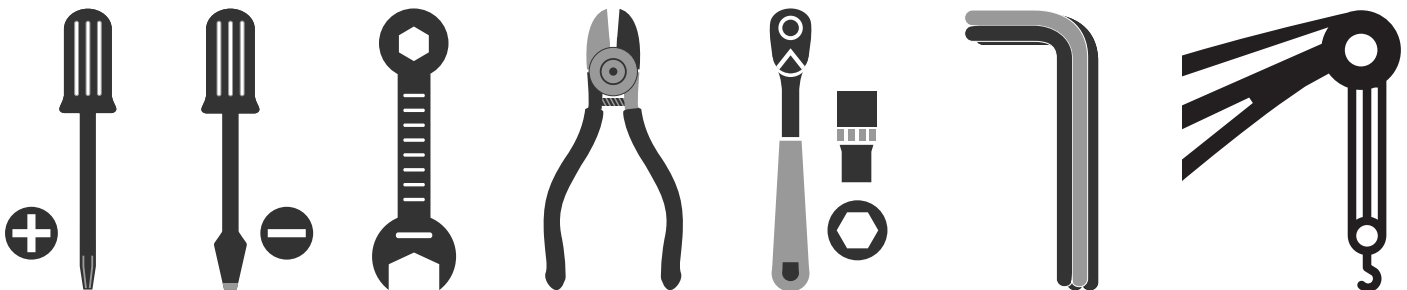
Size	Torque Nm	Torque lbft
M6	9 Nm	7 lbft
M8	22 Nm	16 lbft
M10	44 Nm	32 lbft
M12	77 Nm	57 lbft

Mouting Time

- 3 Hours
- 2 Persons (recommended)

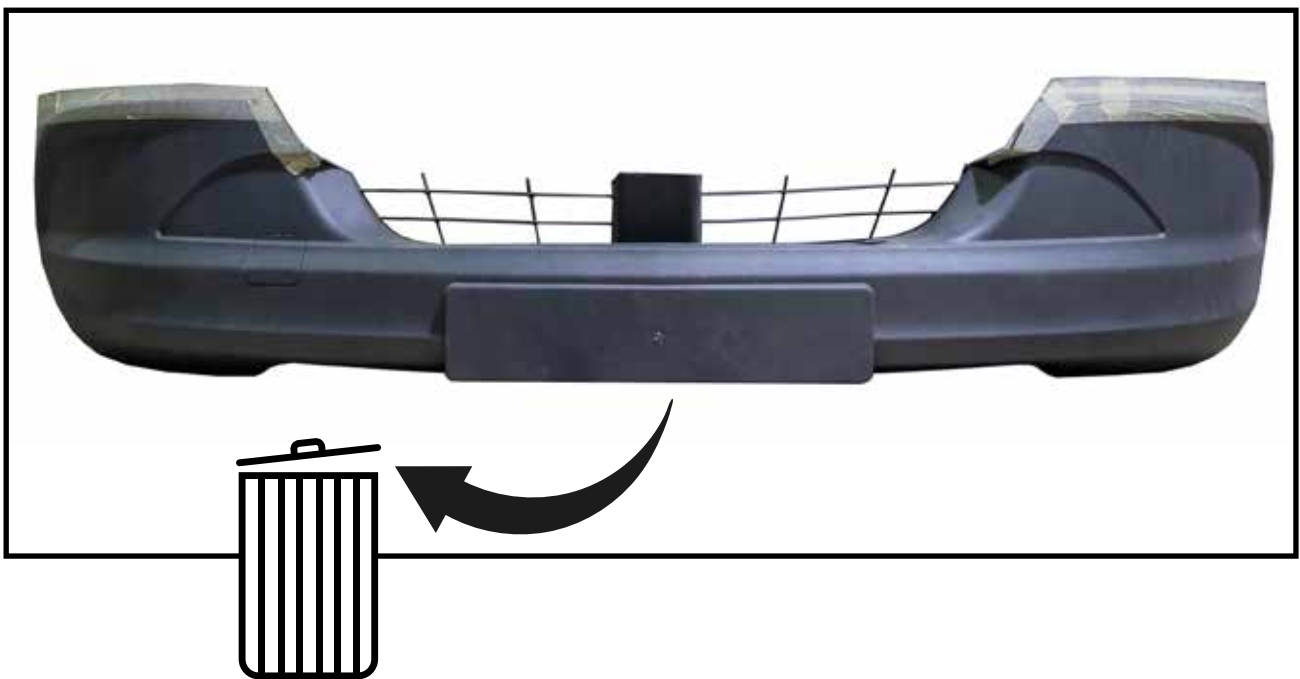


Tools Required

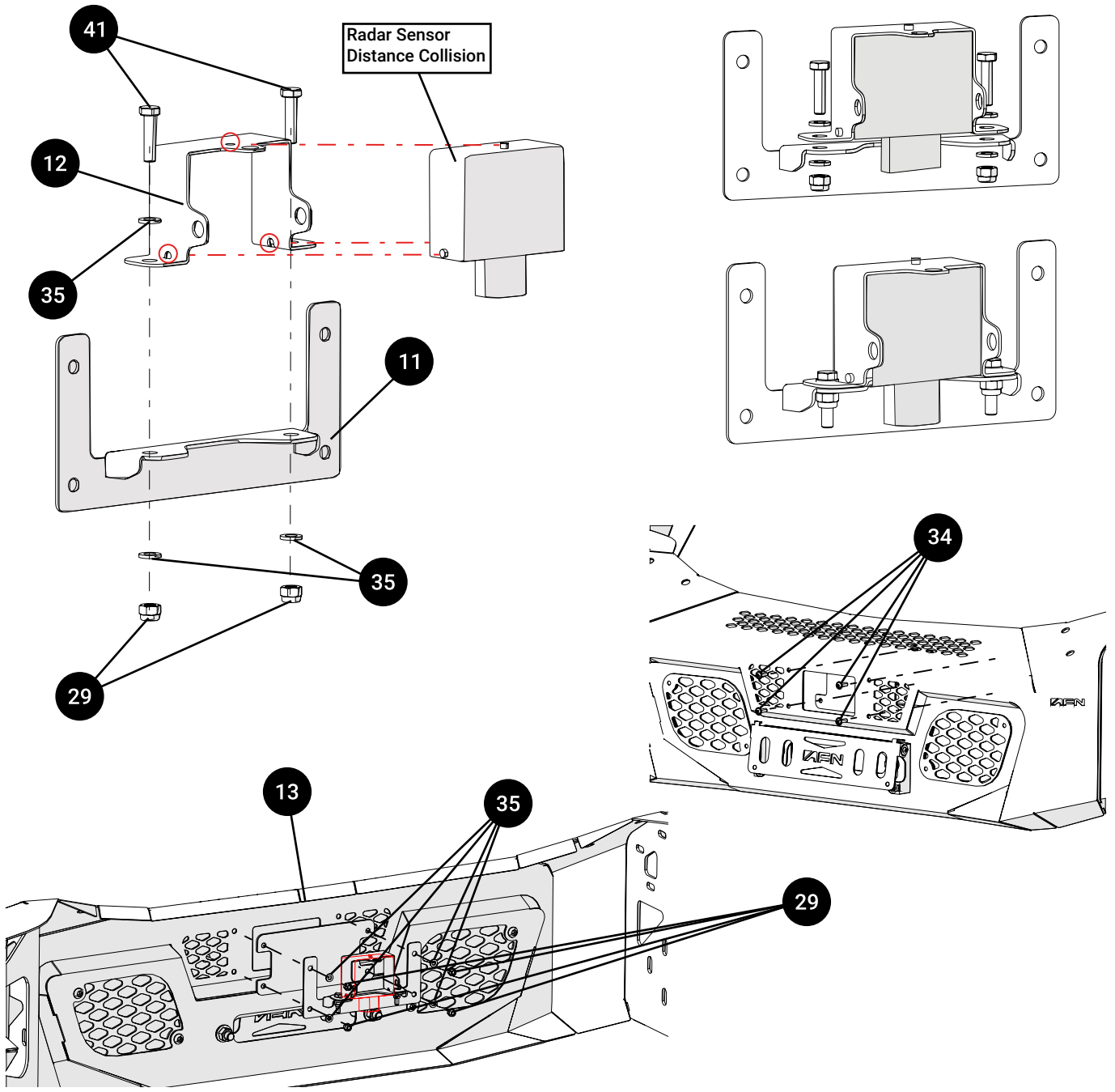


- Screwdriver star head
- Screwdriver flat head
- Wrench
- Wire cutter
- Ratchet wrench
- Allen wrench
- Crane

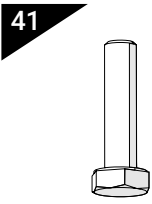
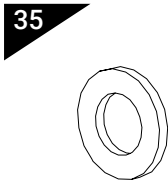
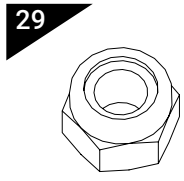
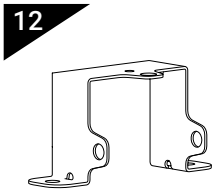
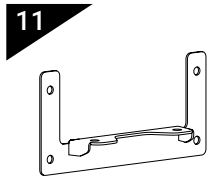
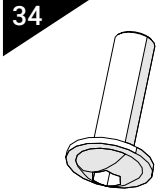
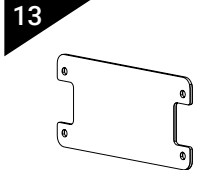
Step 1



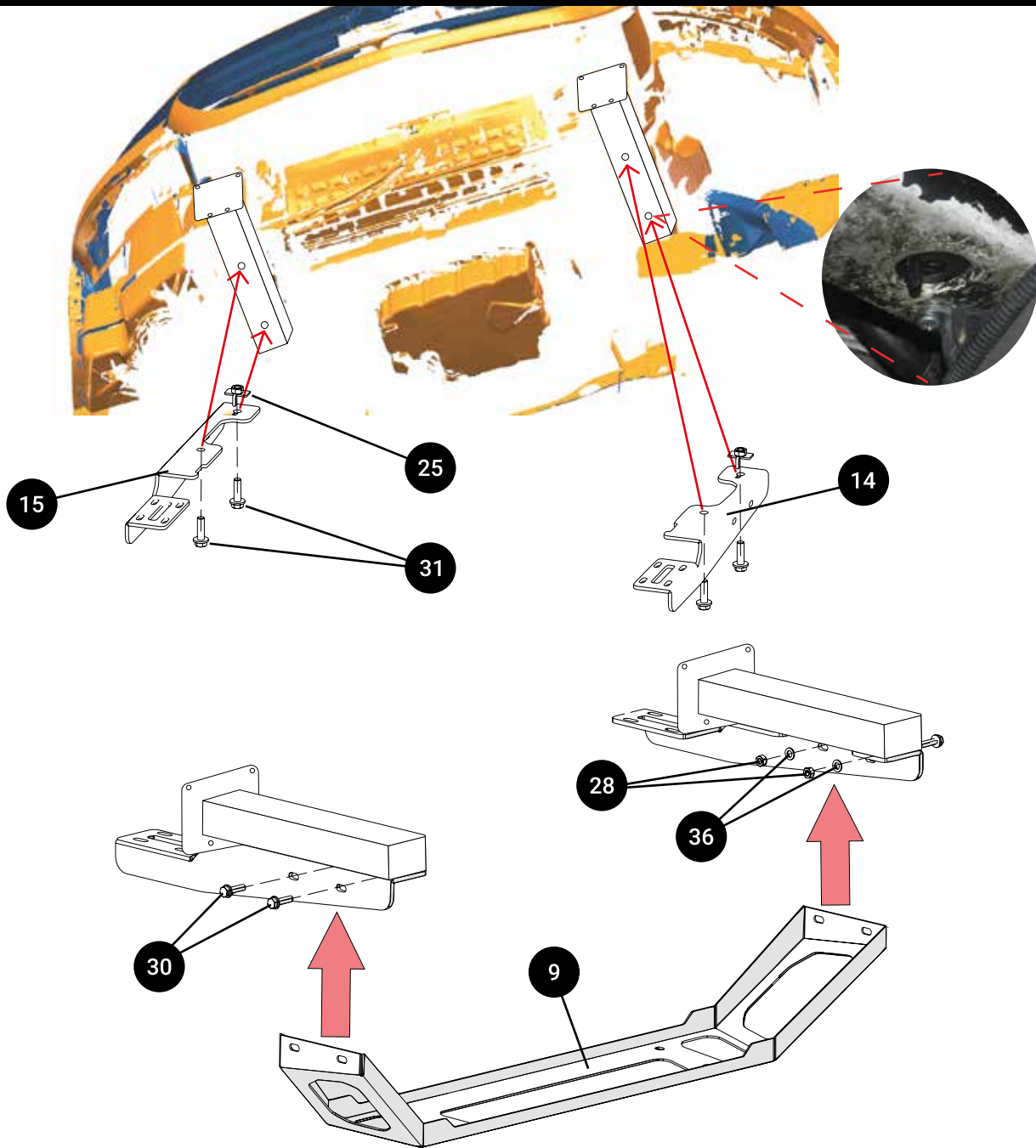
Step 2



Parts Needed:

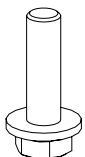
- | | | |
|--|--|--|
| 
41
x2 Bolt M6x25 | 
35
x8 Washer M6 | 
29
x6 NyLock Nut M6 |
| 
12
x1 Radar Clamp | 
11
x1 Radar Bracket | 
34
x4 Bolt M6x20 |
| 
13
x4 Bolt M6x20 | | |

Step 3



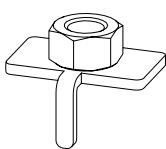
Parts Needed:

31



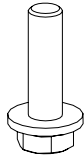
x4 Bolt M12x40

25



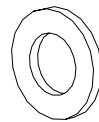
x2 Lock Nut M12

30



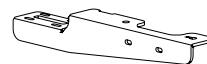
x4 Bolt M8x30

36



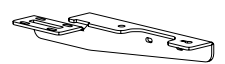
x4 Washer M8

14



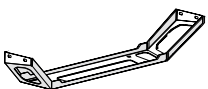
x1 Reinforcement Bracket (Left)

15



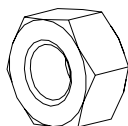
x1 Reinforcement Bracket (Right)

9



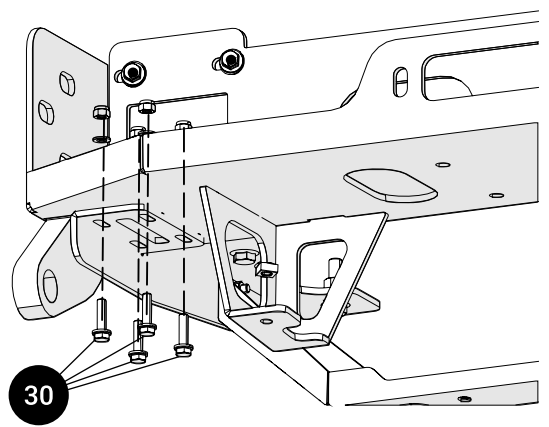
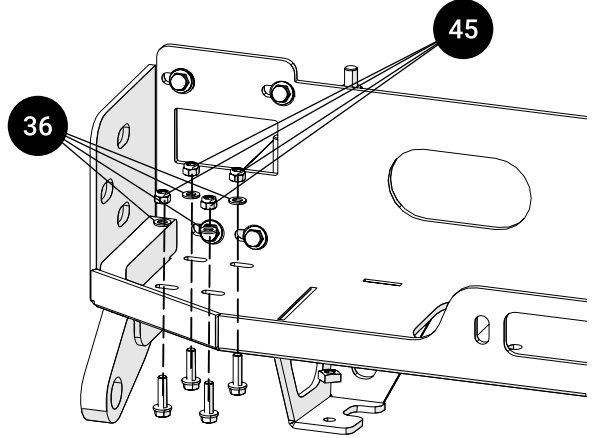
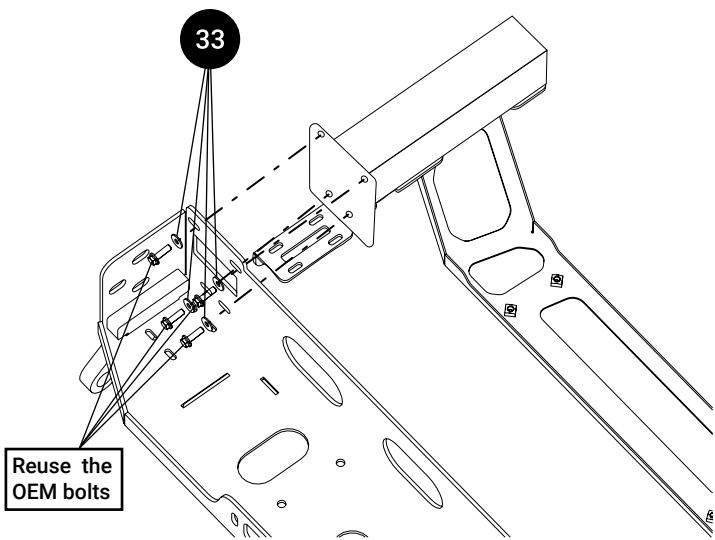
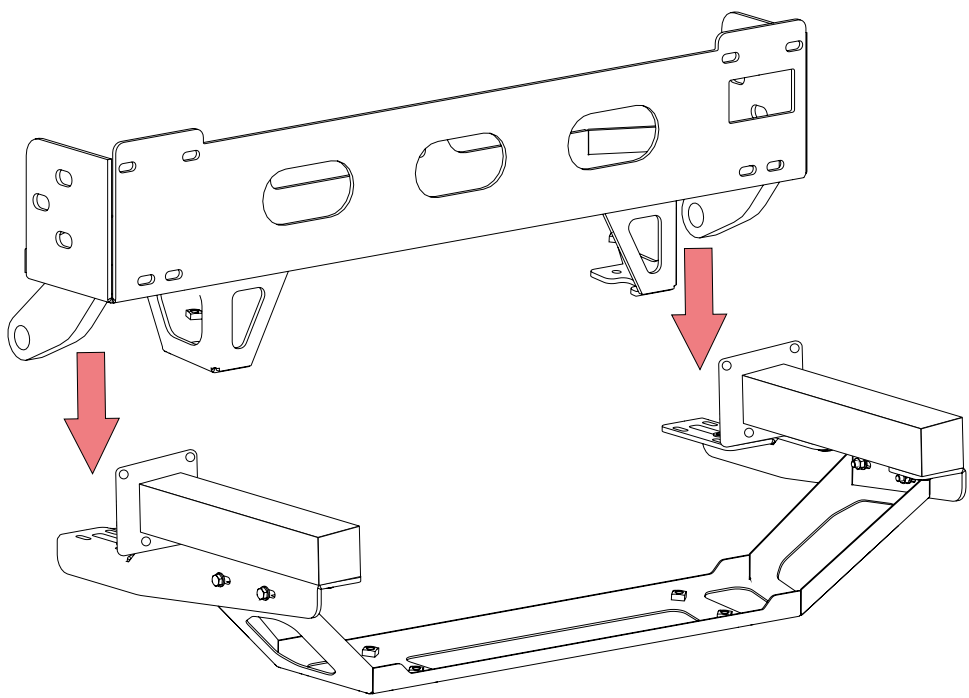
x1 Skid Plate Bracket

28

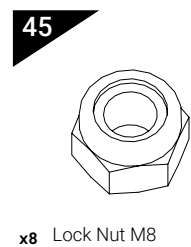
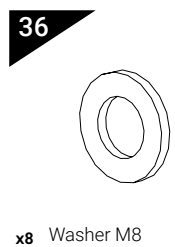
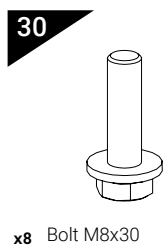
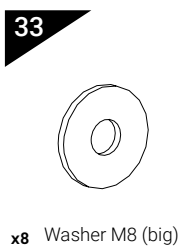
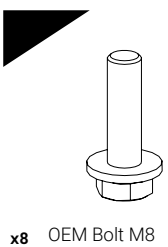


x4 Lock Nut M8

Step 4

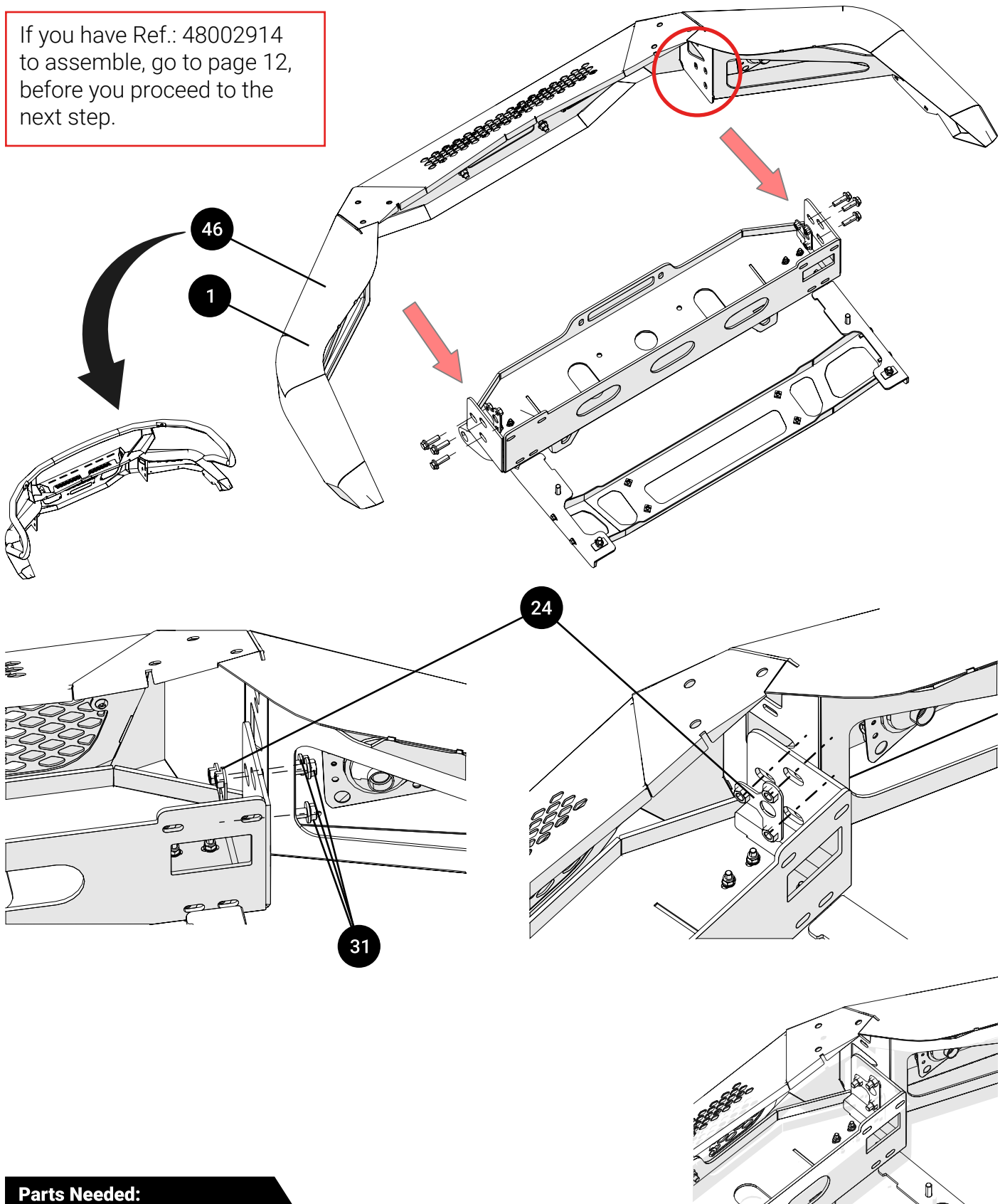


Parts Needed:

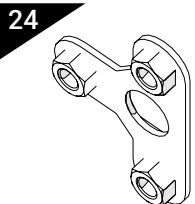


Step 5

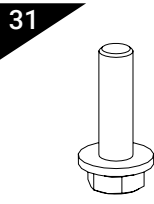
If you have Ref.: 48002914 to assemble, go to page 12, before you proceed to the next step.



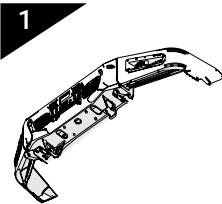
Parts Needed:



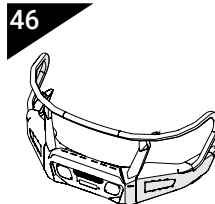
x2 Plate W/ Welded Nuts M8



x6 Bolt M8x30 M8

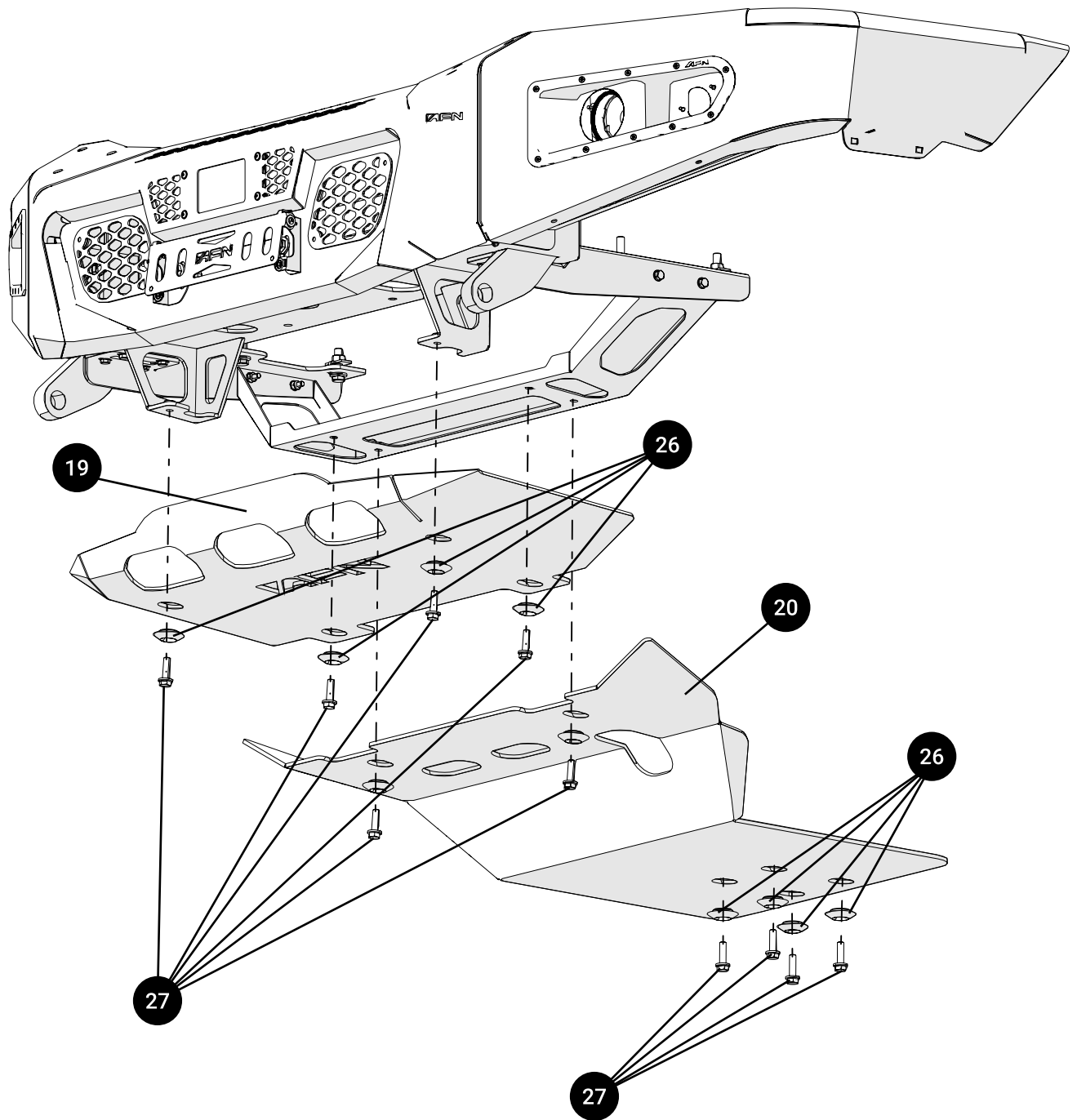


x1 Front Bumper



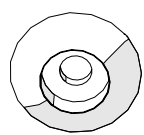
x1 Bull Bar

Step 6



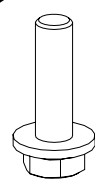
Parts Needed:

26



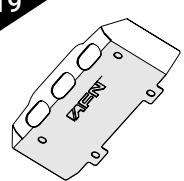
x10 Alum. Sleeves M10

27



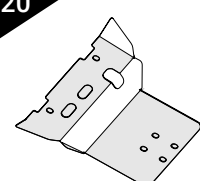
x10 Bolt M10x35

19



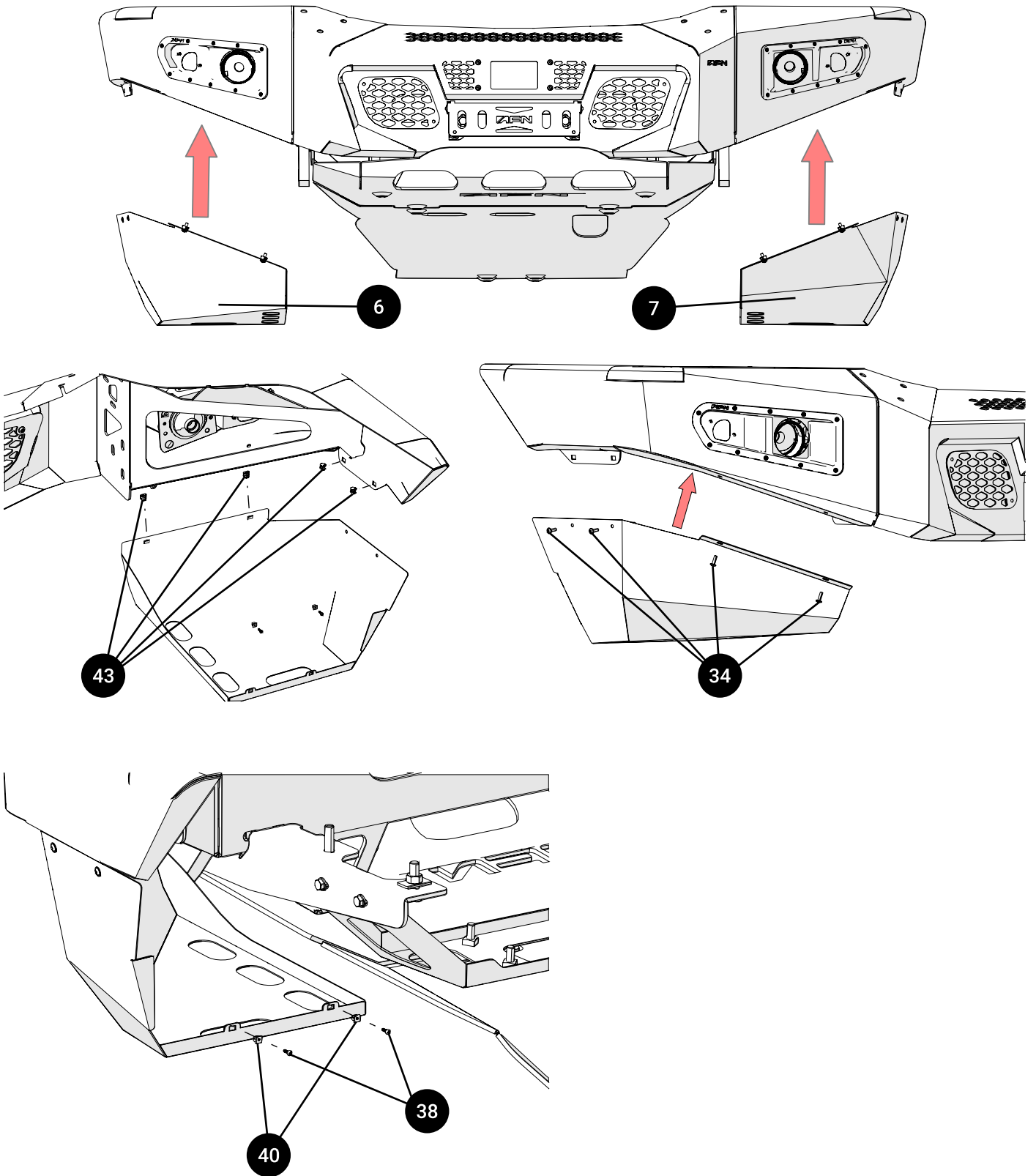
x1 Front Skid Plate

20



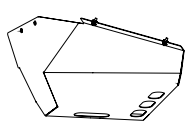
x1 Sump Skid Plate

Step 7



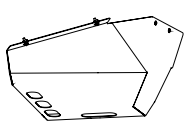
Parts Needed:

6



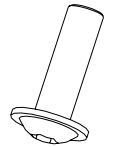
x1 Right Wing

7



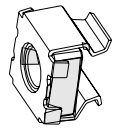
x1 Left Wing

34



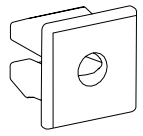
x1 Bolt M6x20

43



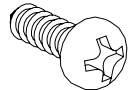
x1 Cage Nut M6

40



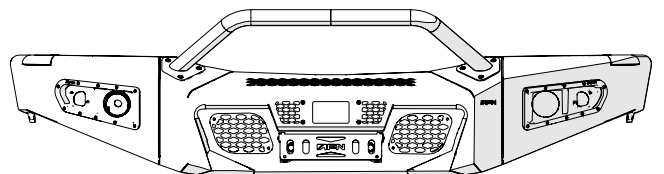
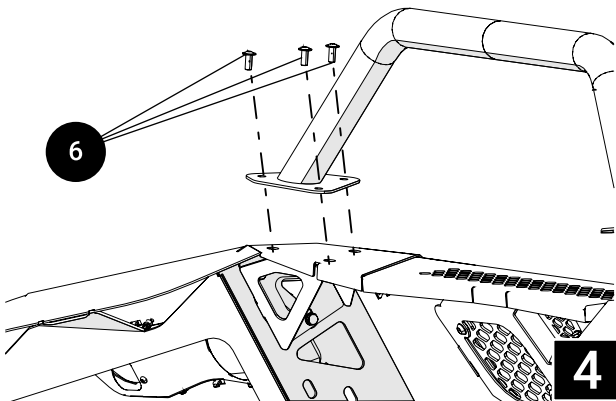
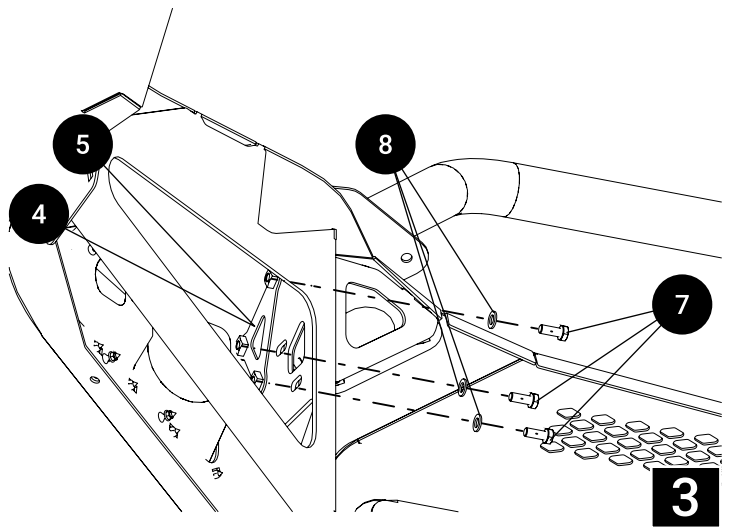
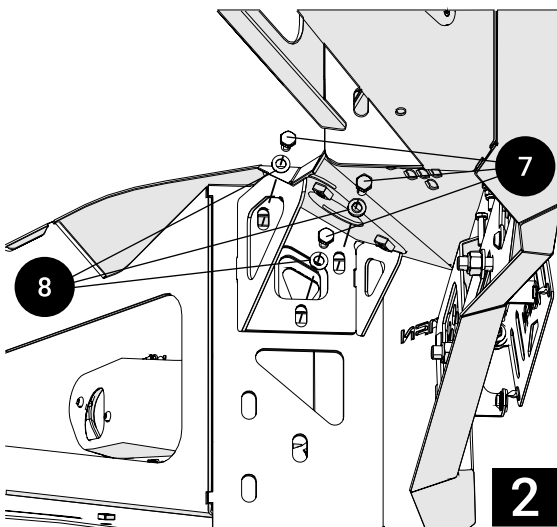
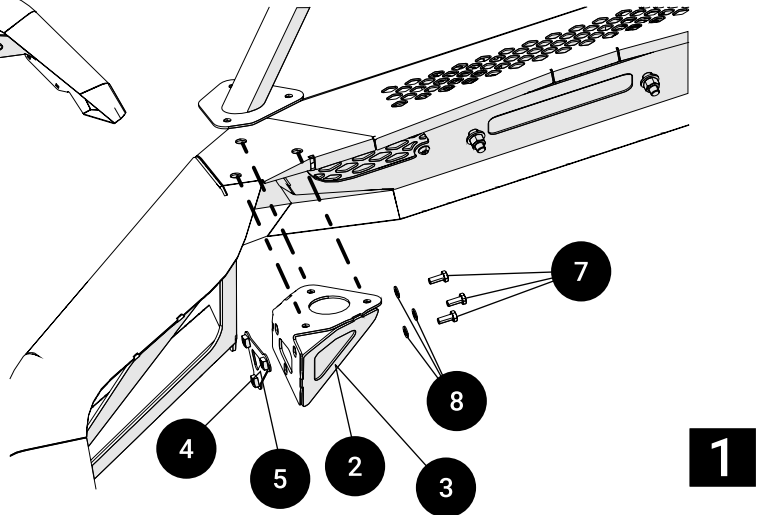
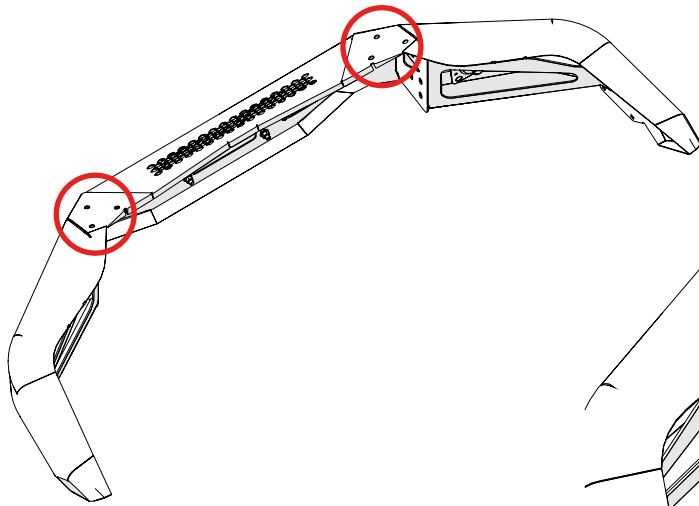
x1 Plastic Nut 3,5M

38



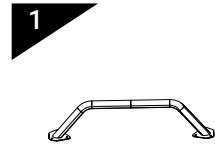
x1 Bolt M3,5x16

Bolt on - A Bar Ref.: 48002914

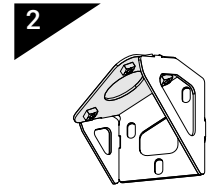


Back to page 9

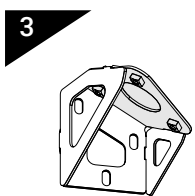
Parts Needed:



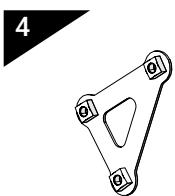
x1 A-Bar



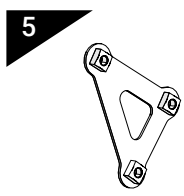
x1 Right A-Bar Reinforcement



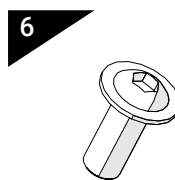
x1 Left A-Bar Reinforcement



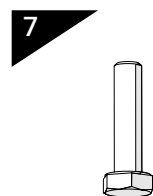
x1 Plate w/ Welded Nuts (Right)



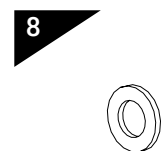
x1 Plate w/ Welded Nuts (Left)



x1 Bolt M8x20



x1 Bolt M8x20



x1 Washer M8

Final Result