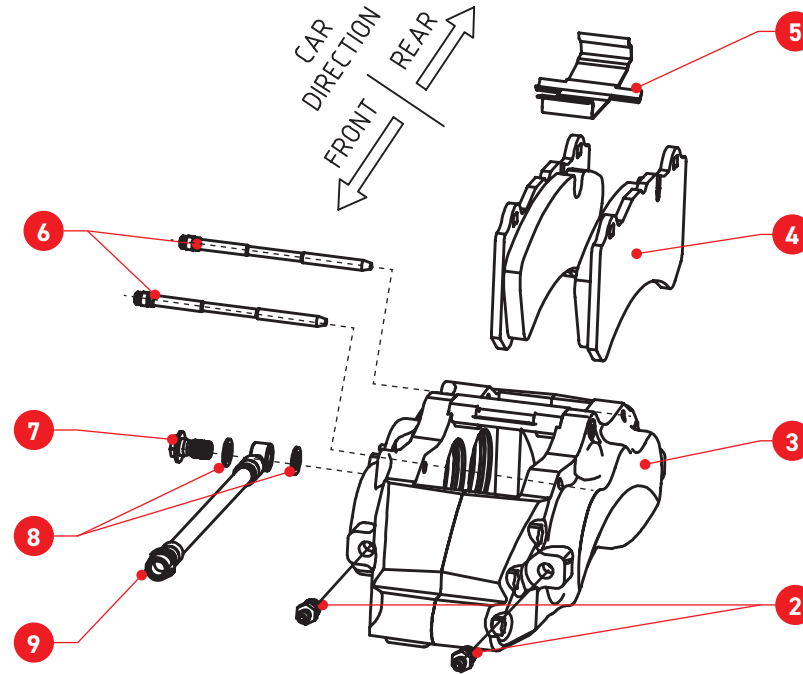


KIT NUMBER	
DBABU3000	

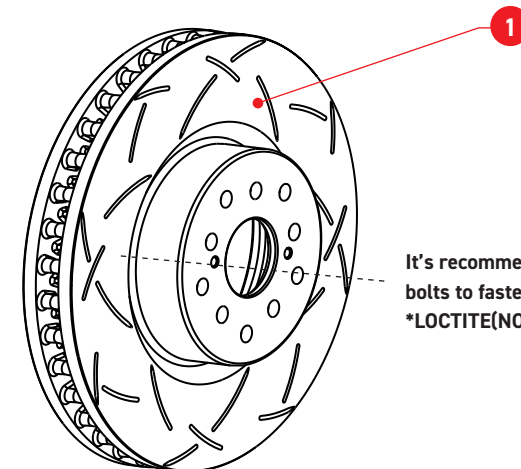
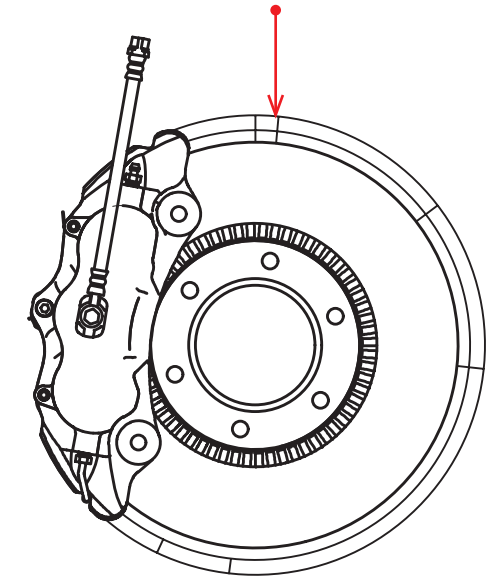
REF	DESCRIPTION	QTY
1	4000 T3 Slotted Rotors	2
2	Caliper Bleed Screws	4
3	Caliper Assemblies	2
4	Brake Pads	1 Set
5	Tension Springs	2
6	Pins	4
7	Banjo Bolts	2
8	Copper Washers	4
9	Braided Brake Hoses	2

TIGHTENING TORQUES	
Ref#	Torque (N-M)
2	16-18
7	25-27

BRAKE ROTOR MIN THICKNESS
Refer to disc rotor



When installing the upgrade kit, please remove the dust cover to avoid interference in the area where the caliper is installed.



It's recommended to use*LOCTITE(NO.271)on bolts to fasten bracket and knuckle.
*LOCTITE(NO.271)=Removable/High strength Thread-locker

4.0 (Safety Clearance)

