



## Center Console Box Fitting Instructions



### CONGRATULATIONS:

Thank you for purchasing this Gobi-X product. We are very proud of our range of accessories and we sincerely hope it meets your expectations. Please read and follow the fitting instructions carefully.

### IMPORTANT PRODUCT INFORMATION:

Please ensure all Gobi-X products are fitted to your vehicle by a competent fitter and follow all instructions. (If you are uncertain about any of the instructions please call head local supplier for clarification.) If you are not mechanically minded you should not attempt to fit this product yourself but instead seek professional or better qualified assistance. If not fitted properly this product could cause an automobile accident and serious bodily harm or death to you or others. You are responsible for all Gobi-X products fitted to your vehicle and should ensure they are regularly checked to ensure the mountings etc are still correctly secured. Due to the nature of the use of this product, wear and damage can occur and should be repaired/replaced immediately.



### WHAT YOU WILL NEED



Ratchet and 17 Socket



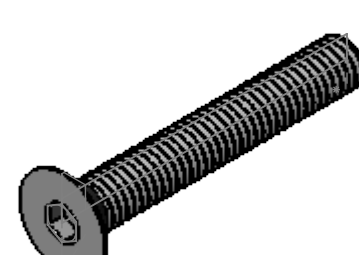

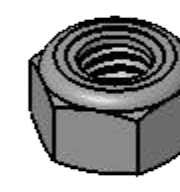
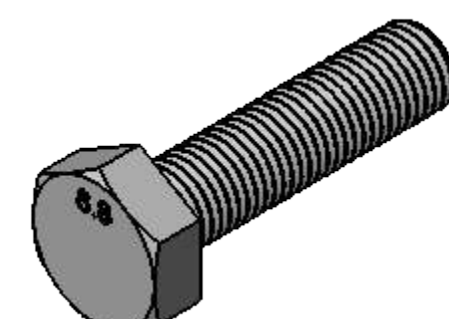
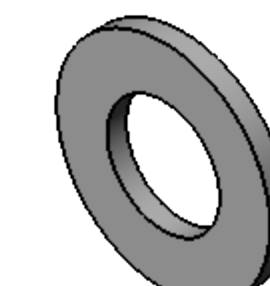
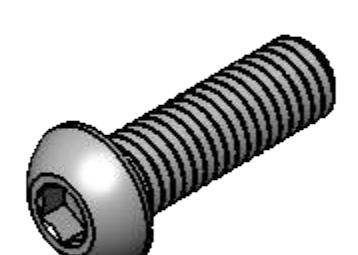

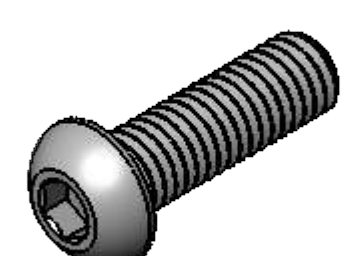


13 Spanner

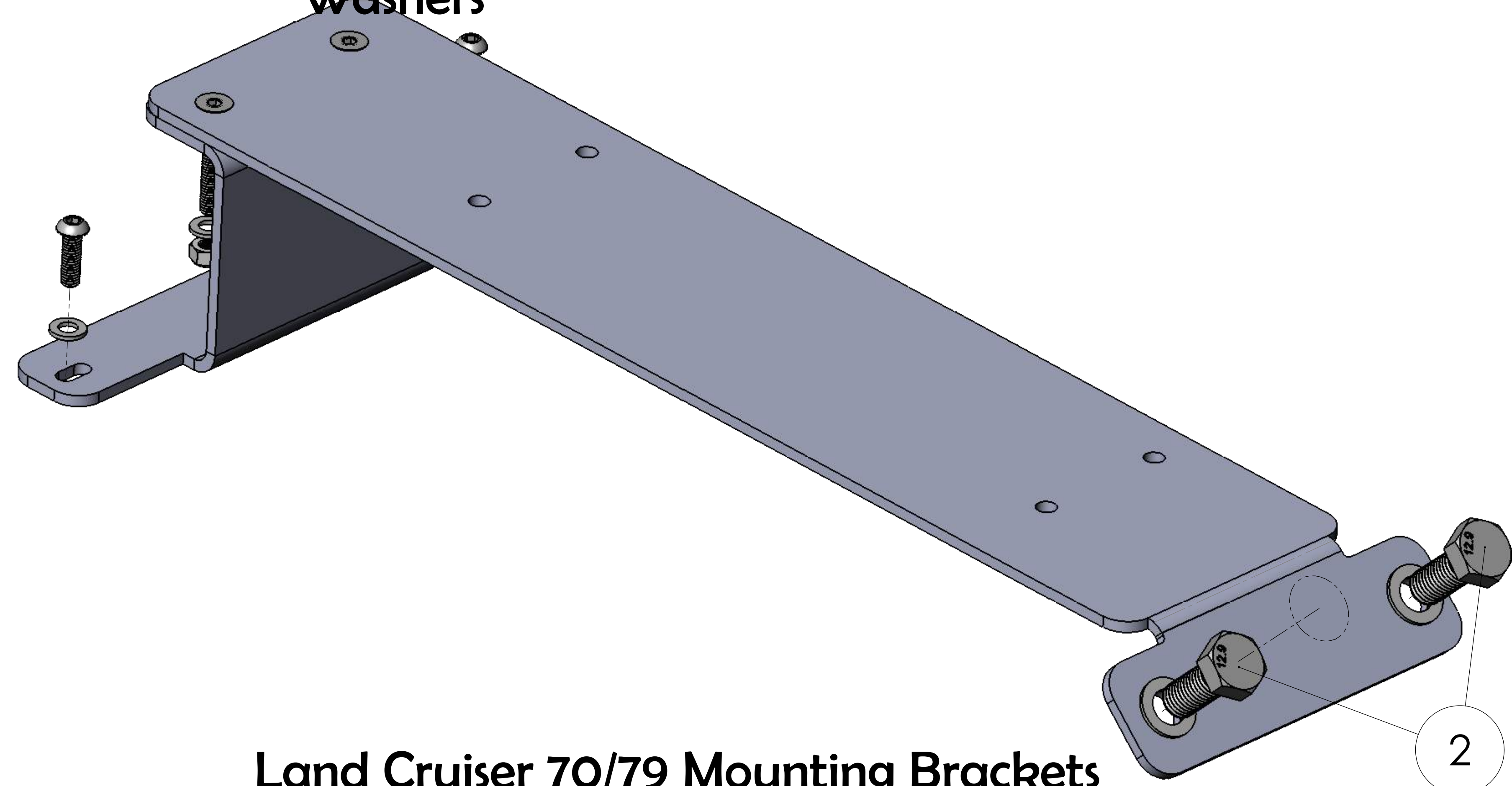


Allen Key

## Central Console Box Fitting Instructions

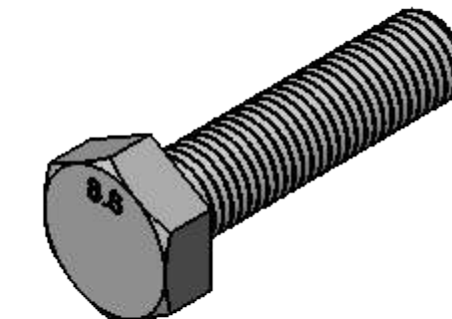

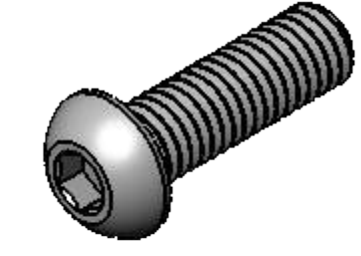

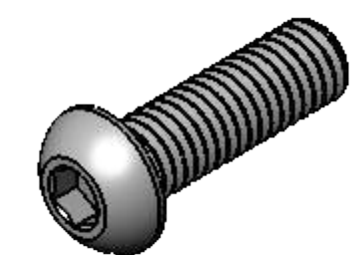

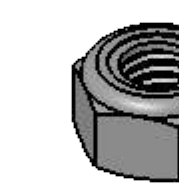
### Fitting Kit for Land Cruiser 76 & 79

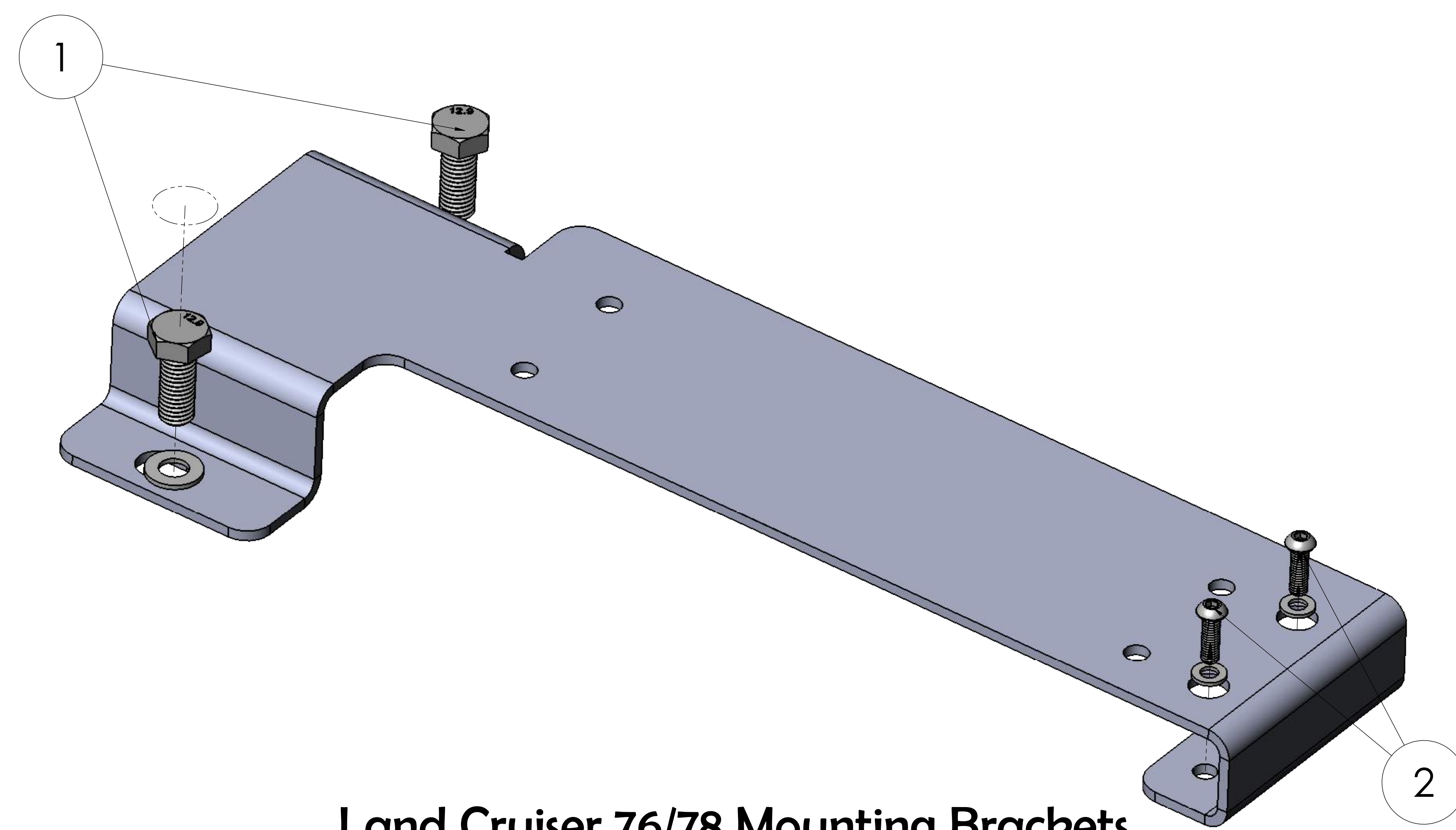
1.  +  +   
2x M6x25mm Counter sunk Bolts    2x M6 Flat Washers    2x M6 Nyloc Nuts
2.  +   
2x M10x20mm Bolt 1.25mm Thread    2x M10 Flat Washer
3.  +   
2x M6x25mm D/H Bolts    2x M6 Flat Washers
4.  +  +   
4x M6x25mm D/H Bolts    8x M6 Fender Washers    4x M6 Nyloc Nuts



Land Cruiser 70/79 Mounting Brackets

### Fitting Kit for Land Cruiser 78

1.  +   
2x M10x20mm Bolt 1.25mm Thread    2x M10 Flat Washer
2.  +   
2x M6x25mm D/H Bolts    2x M6 Flat Washers
3.  +  +   
4x M6x25mm D/H Bolts    8x M6 Flat Washers    4x M6 Nyloc Nuts



Land Cruiser 76/78 Mounting Brackets



## Central Console Box Fitting Instructions



### STEP ONE

Remove the existing center console box and place it somewhere safe .

### STEP TWO

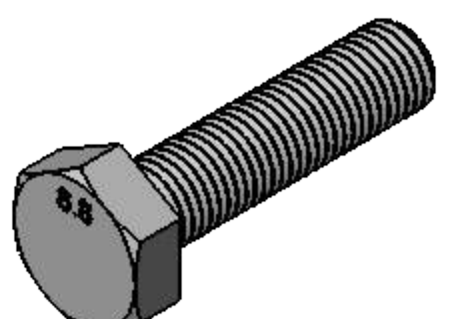


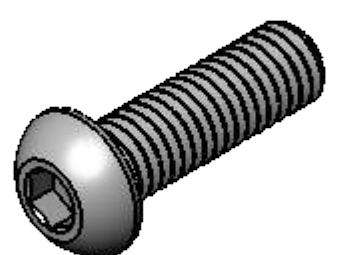

Once the existing center console box is removed, unwrap your new center console and make sure the fitting kit is complete. Place your mounting brackets in the vehicle depending on the vehicle model.

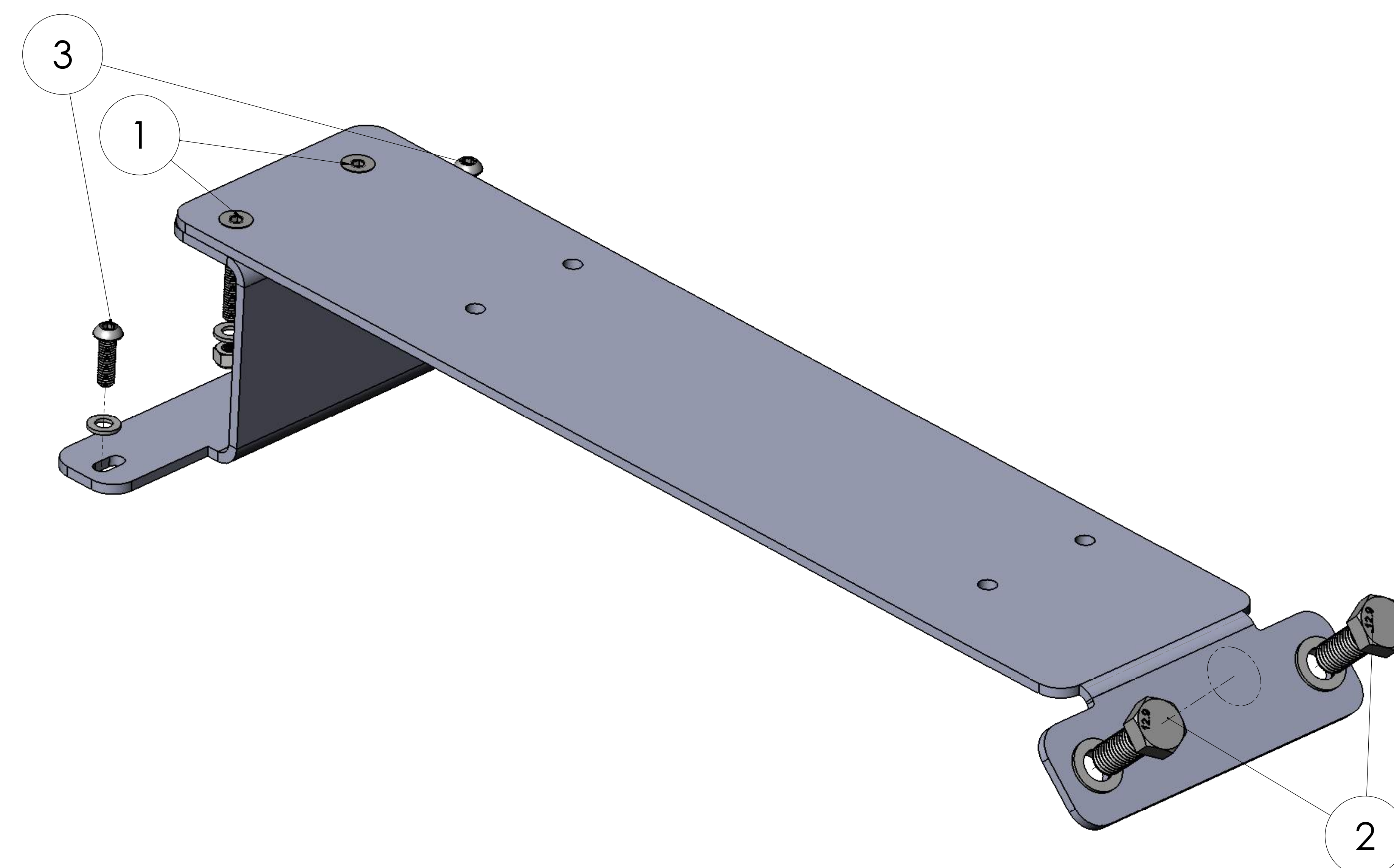
### Land Cruiser 70/79 Mounting Bracket

Make use of the LC70/79 mounting bracket as in fig (2.1) and tighten the two mounting brackets together. Once the two brackets is tightened position the mounting bracket in the vehicle. Once in position feel for the bolt holes underneath the carpet, with the use of n carpet knife cut the holes for bolts number 2

Loosely fit bolts number 2 and 3 as indicated in fig 2.1 and tighten them down.

#### Tools Needed:

2.  +  +   
M10x20 Bolt  
1.25mm Thread      Ratchet      17 Socket
3.  +   
2x M6x25mm  
D/H Bolts      Allen Key



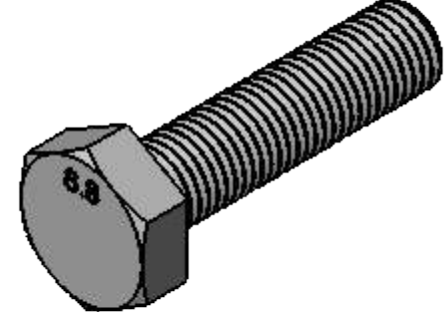


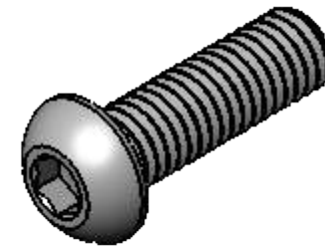

(fig 2.1)

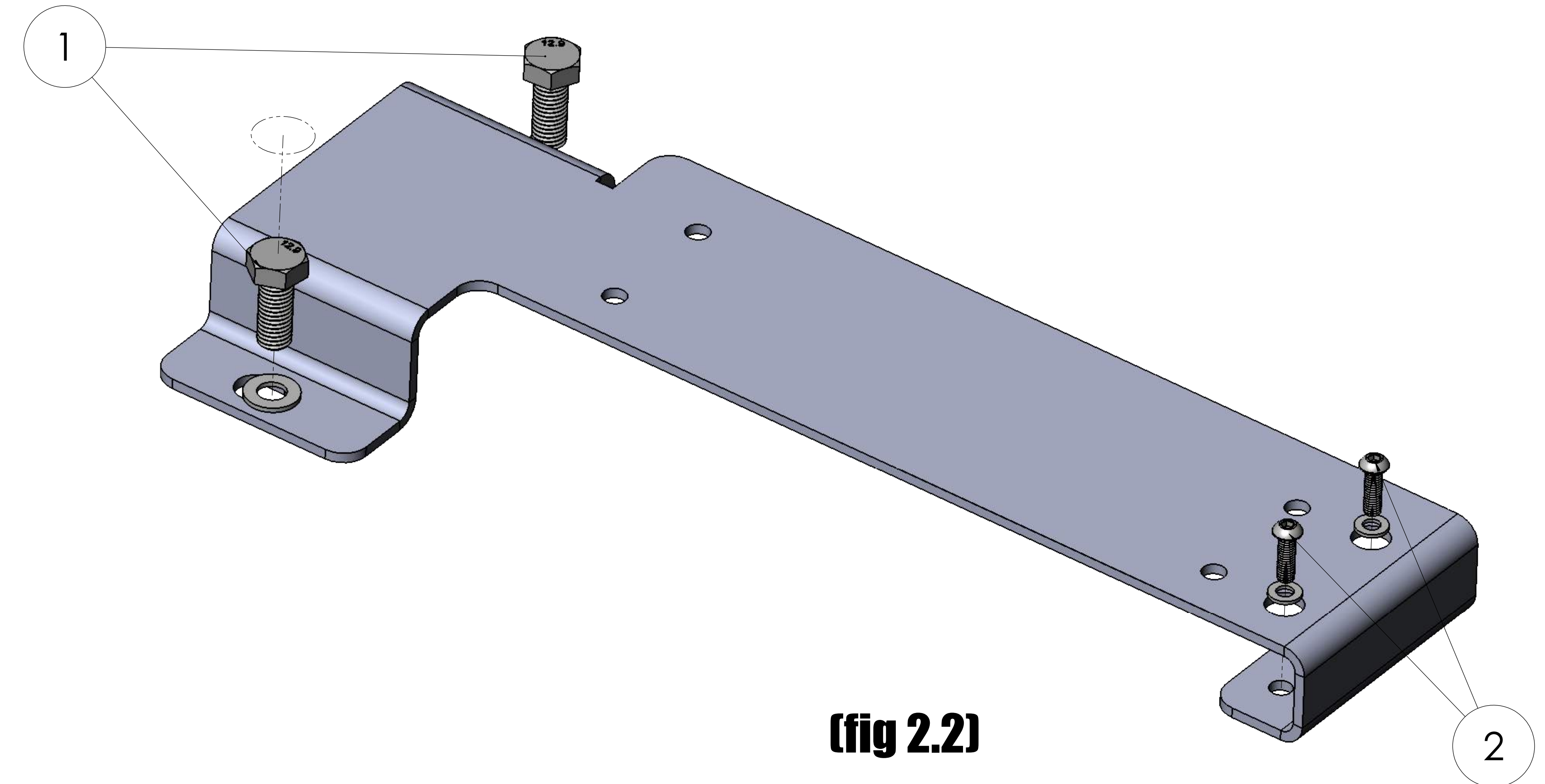
## Central Console Box Fitting Instructions

### Land Cruiser 76/78 Mounting Bracket

Make use of the mounting bracket as in fig (2.1)  
 To fit the Center Console to Land Cruiser 76/78, remove the two 12mm Bolts, that keeps the seat belt tightened down and place the bolts safe as it will be used again  
 Once the two bolts are removed, the mounting bracket can be fitted and the seat belt can be tightened down again onto the mounting bracket, by using the two bolts that was earlier removed. You can fit the front bolts by using an Allen key and tighten the bolts from the top to the vehicle.

#### Tools Needed:

1.  +  +   
 2x M10x20 Bolt  
 1.25mm Thread      Ratchet      17 Socket
2.  +   
 2x M6x25mm  
 D/H Bolts      Allen Key

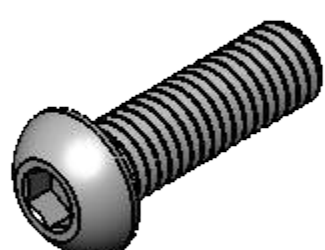




(fig 2.2)

### STEP THREE

Once the mounting brackets is secured to the vehicle, you can position the box onto the mounting bracket and tightened bolts number 3&4 that is supplied with the fitting kit from the inside of the box and nyloc nuts from the bottom of the mounting bracket.

Double check that all the bolts are tightened correctly, thank you for purchasing our Gobi-x product.

-  +  +   
 4x M6x25mm      Allen Key      13 Spanner  
 D/H Bolts

