

INSTALLATION PROCEDURE

PRODUKT: **WINCH BRACKET**
MAKE: **NISSAN NAVARA (2015-)(SPANISH)**
PART NO: **2L.4101.1**



WARNING!

In order to reduce the risk of severe injury or property damage: Before installation and use of this product read the whole procedure, paying special attention to the safety notice and installation notice! Upon installation or maintenance of this product it is necessary to use protective glasses. Check integrity of the design and torque settings of fasteners in each 1000km of the vehicle usage. Do not use this product if there is any damage to the design or fasteners!

NISSAN NAVARA WINCH BRACKET

Item:	2L.4101.1
Make:	Nissan
Model:	Navara
Year of manufacture	2015-
Material:	Steel 6 mm
Dimensions:	1005x230x156 mm
Weight:	14,5 kg



SAFETY NOTICE

- * The winch bracket is designed for operation under conditions specified by the vehicle manufacturer.
- * It is not allowed to operate damaged winch bracket or components hereof. It is necessary to inform the nearest RIVAL dealer of the event of damage of the winch bracket or components hereof.
- * It is not allowed to operate the winch bracket with loosen fasteners.
- * It is necessary to check integrity of the design and fasteners, as well as fastening torque, on a periodic basis.
- * It is not allowed to install winches with force of more than that specified herein.

INSTALLATION NOTICE

- * Installation of the winch bracket should be carried out in strict compliance with this procedure in a specialized service centers..
- * During installation it is necessary to use personal protective equipment.
- * Do not install this winch bracket onto the vehicle models which are not specified herein.

REQUIRED TOOLS

- * Basic tool kit
- * Marker
- * Knife

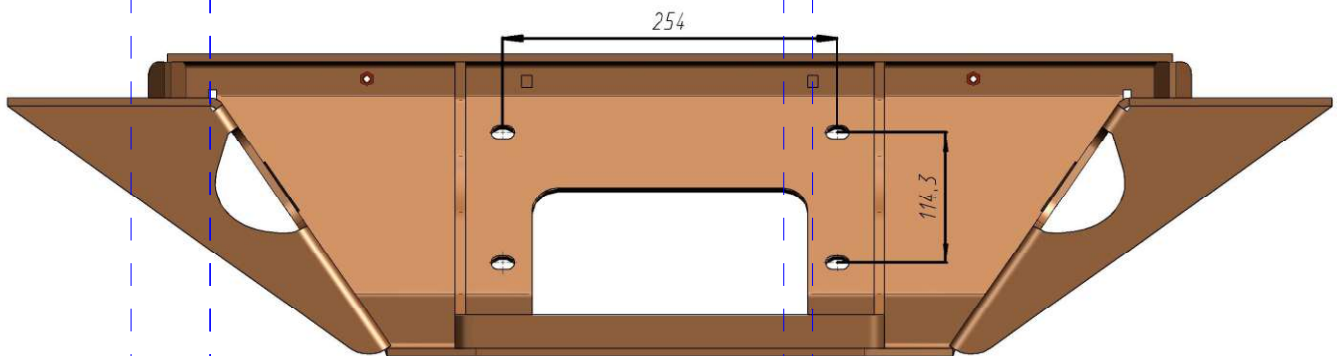
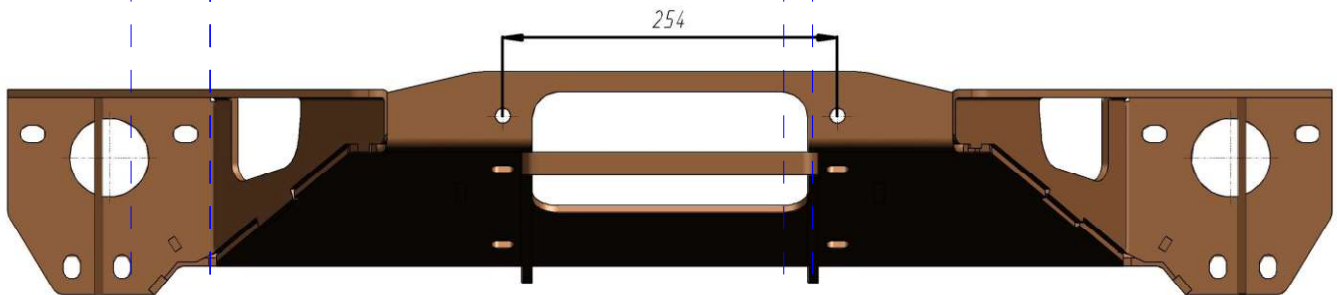
TORQUE SETTINGS

* M12	44 Nm
-------	-------

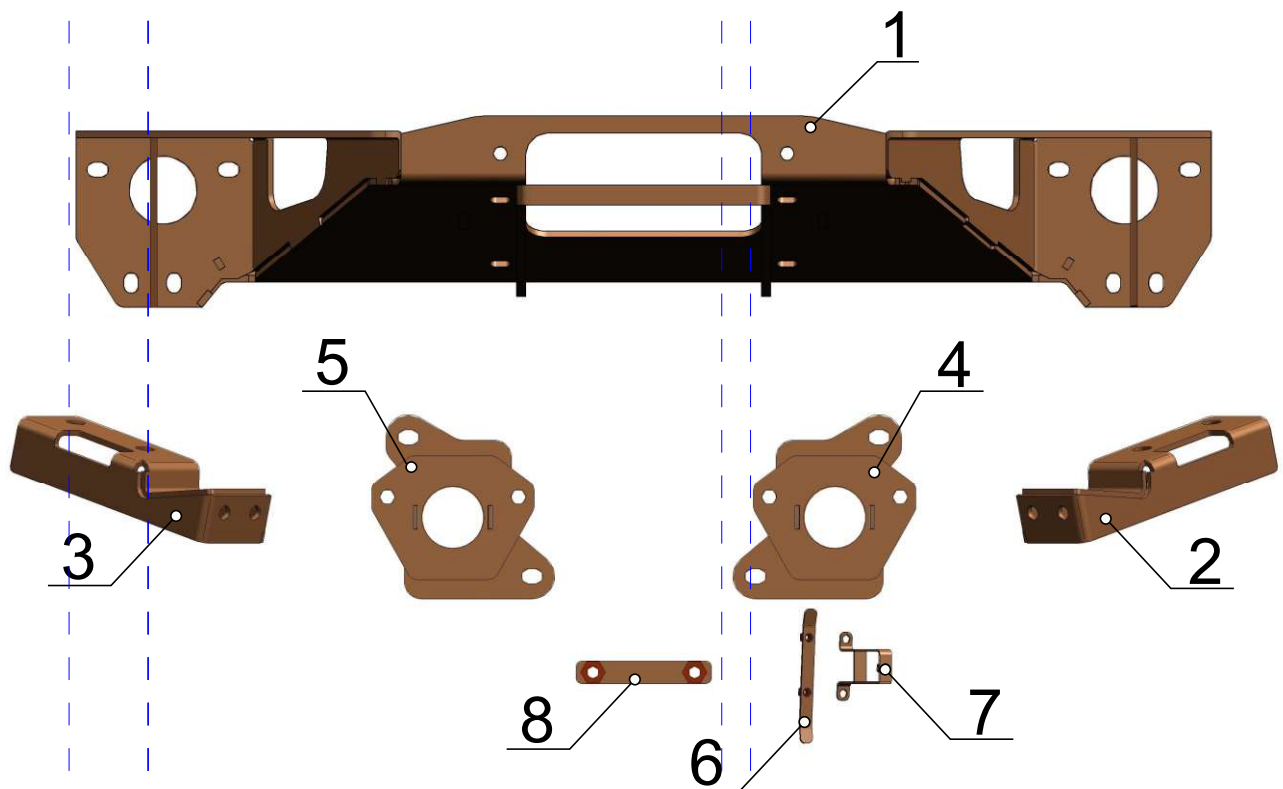
TECHNICAL INFORMATION

Winch with a force up to 8500lb (3850 kg) is mounted onto the winch bracket.

Installation clearance of the winch:

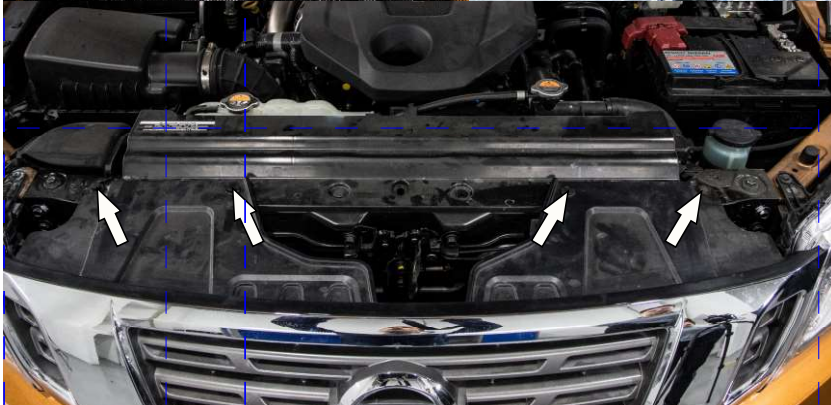


1. Winch bracket.....	1 pcs.
2. Left bracket booster.....	1 pcs.
3. Right bracket booster.....	1 pcs.
4. Left adapter.....	1 pcs.
5. Right adapter.....	1 pcs.
6. Inner embedded part of the number.....	2 pcs.
7. Outer embedded part of the number....	2 pcs.
8. Embedded part M12.....	1 pcs.
9. Bolt M12x30.....	8 pcs.
10. Bolt M12x1,25x40.....	2 pcs.
11. Nut M12.....	8 pcs.
12. Washer 12.....	18 pcs.
13. Screw M6x50.....	4 pcs.





1. Open the bonnet.
2. Disconnect the negative battery terminal cable.



3. Remove caps of grille mount in upper side.



4. Remove caps of grille mount from left and right side.

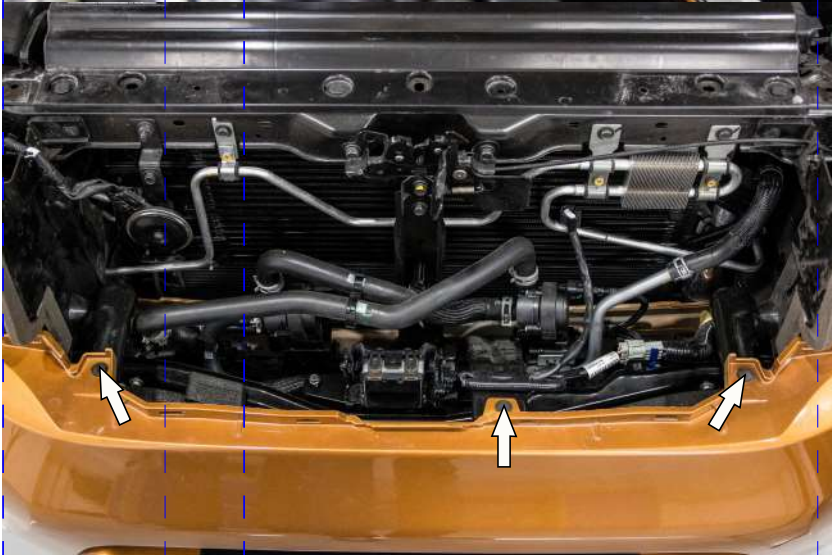




5. Disconnect the front chamber.



6. Carefully dismantle the radiator grille by unlatching the latches at the bottom.



7. Remove the bumper clips.



8. Unscrew 2 self-tapping screws of the bumper clamp in arches on the left and right.



9. Unscrew 4 tension bolts of the bumper skirt center. Remove the bumper skirt center.



10. Unscrew 2 tension bolts of the bumper skirt side on the vehicle's left and right.



11. On the bumper inside unscrew 2 retaining nuts of the bumper skirt side and dismantle the bumper skirt side.



12. Carefully unbend plastic wheel arch covers on the vehicle's left and right, and unscrew self-tapping screws of the bumper clamp.



13. Dismantle the bumper. Pull the bumper edge by unlatching the latches, moving from the bumper edge to the center.

14. Disconnect the hose from the headlamp washer*.

**Make sure that the washing liquid tank is empty.*



15. Dismantle the dampers.



16. Remove the clips of plastic dust caps.



17. Dismantle plastic dust caps on the left and right.



18. Remove the air intake clips.
Dismantle the air intake.



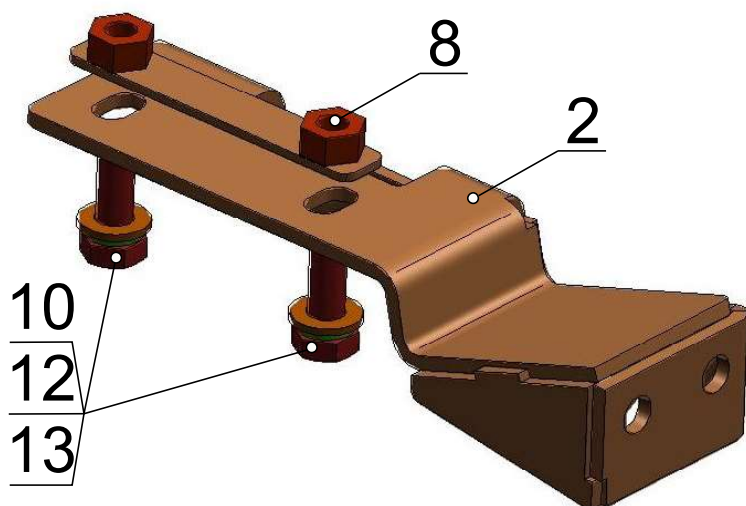
19. Unscrew 4 tension bolts of the
frame booster. Dismantle the booster.



20. Unscrew 2 tension bolts of standard
towing eye. Dismantle the towing eye.



21. Insert embedded part M12 (pos. 8) into the frame on the left.

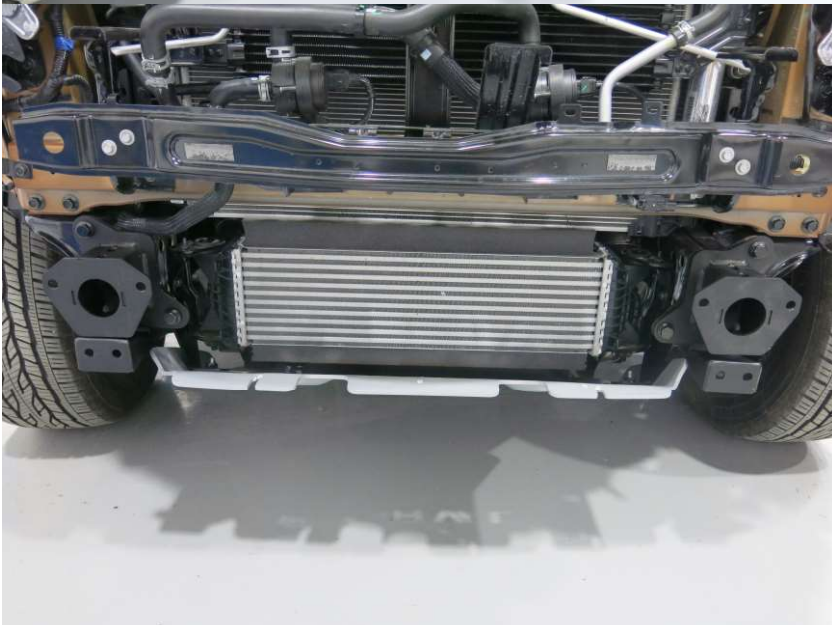


22. Install left frame booster (pos. 2) onto the vehicle frame and secure it to embedded part M12 (pos. 8), bolts M12x1,25x40 (pos. 10) and washers (pos. 12). Do not tighten screw joints.





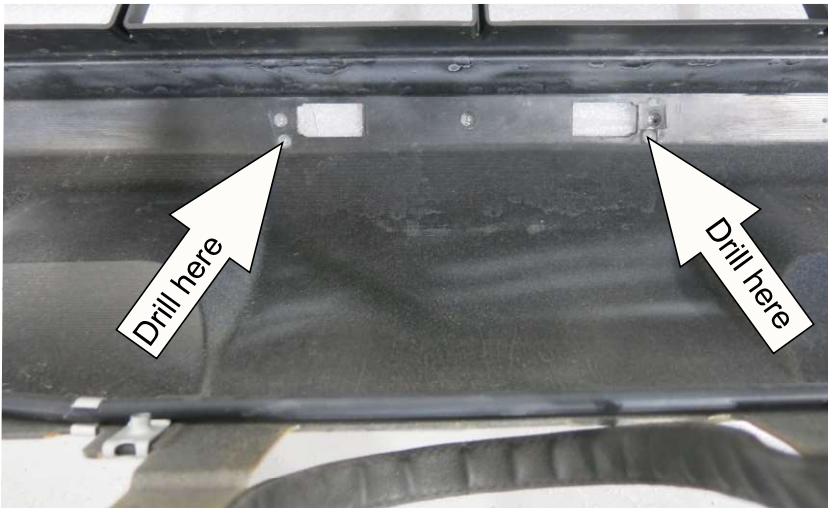
23. Install right frame booster (pos. 3) onto the vehicle frame, secure with standard bolts with installation of standard towing eye. Do not tighten screw joints.



24. Install adapters (pos. 4 and 5) onto the vehicle frame using standard fasteners from the frame booster. Do not tighten screw joints.



25. Install the winch bracket (pos. 1) onto the vehicle. Secure to adapters and frame boosters using bolts M12x30 (pos. 9), nuts M12 (pos. 11) and washers (pos. 12). Adjust the winch bracket. Tighten all screw joints, including adapters and frame boosters.



26. Temporarily install standard bumper for pad eye hole spacing. Mark the hole for pad eye fasteners on the inside of the bumper along the winch bracket.
27. Remove the bumper.



28. Carefully cut out pad eye hole in standard bumper.



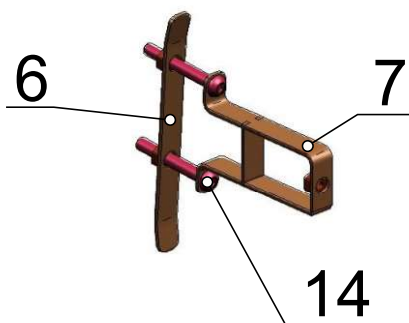
29. Remove the winch bracket from the vehicle, install the winch and pad eye onto the bracket and secure with bolts from the set of winch and pad eye.



30. Install the winch bracket onto the vehicle. See paragraph 25.



31. Install standard bumper.



32. Install the number embedded parts (pos. 6 and 7) onto the bumper grille using screws M6x50 (pos. 13).



33. Install number frame and radiator grille onto the vehicle.

Before starting operation with the winch installed on Rival winch bracket:

- make sure that all screw joints are tightened;
- check integrity of the winch control wiring.

