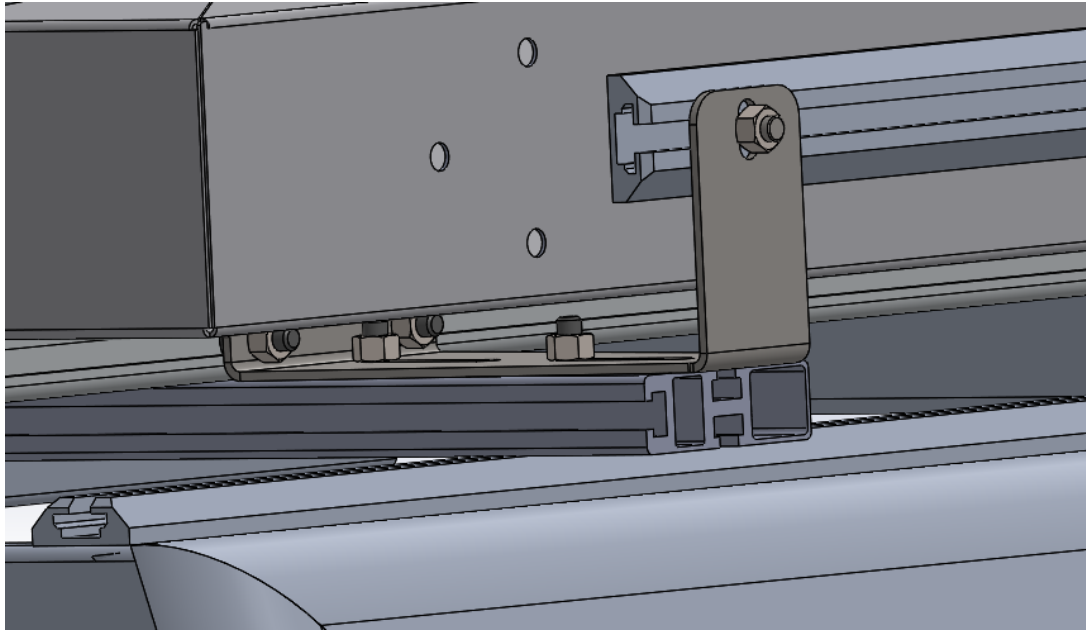




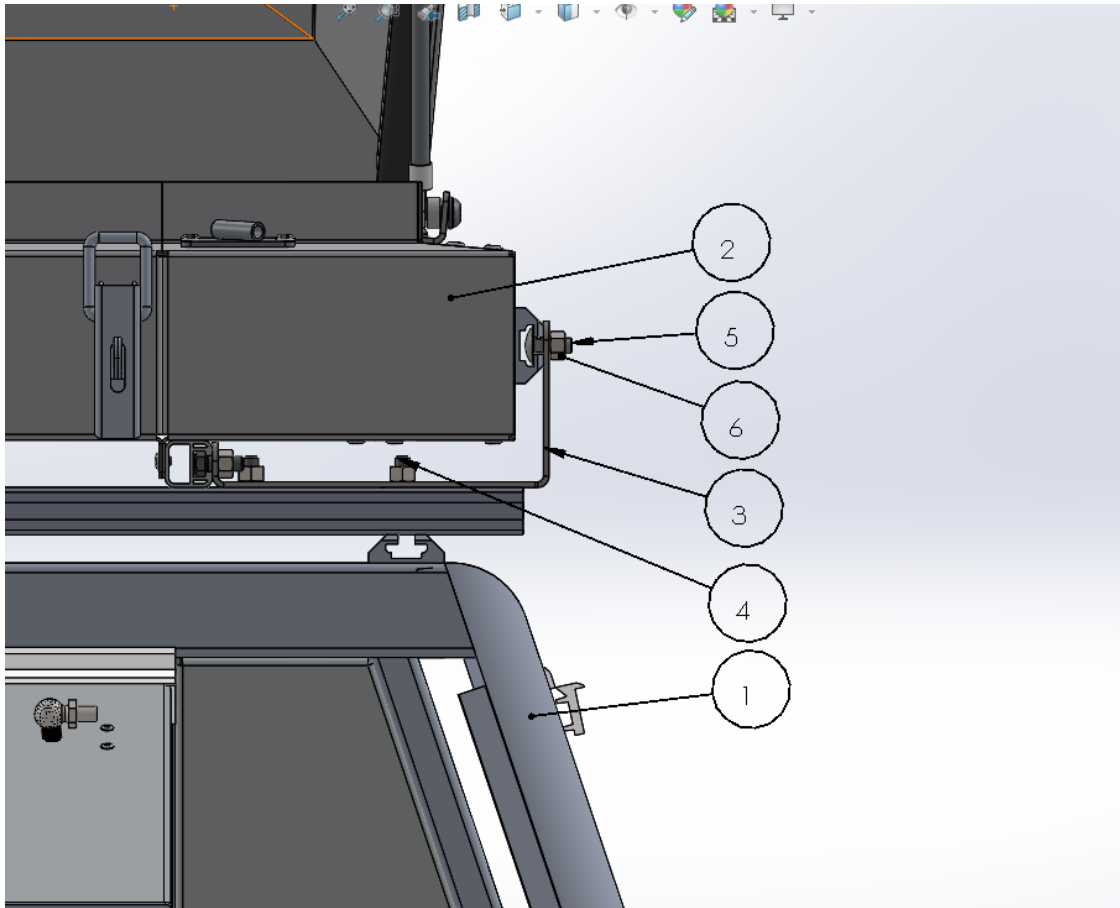
Gen 3 Tent to Canopy Mounting Fitment Instructions



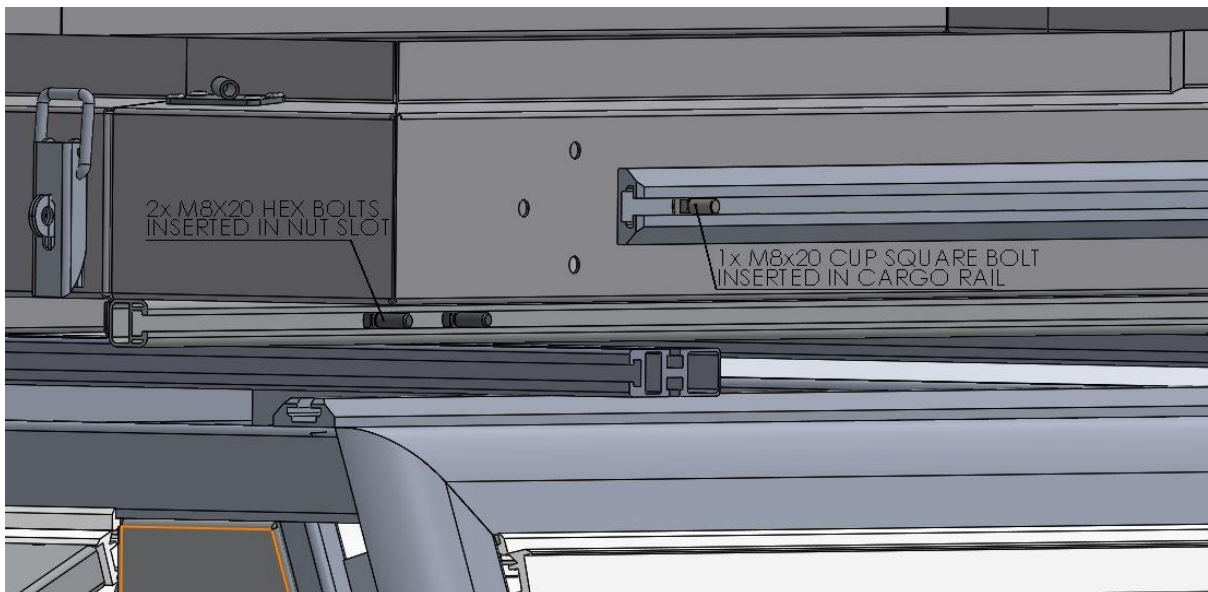


LIST OF COMPONENTS:

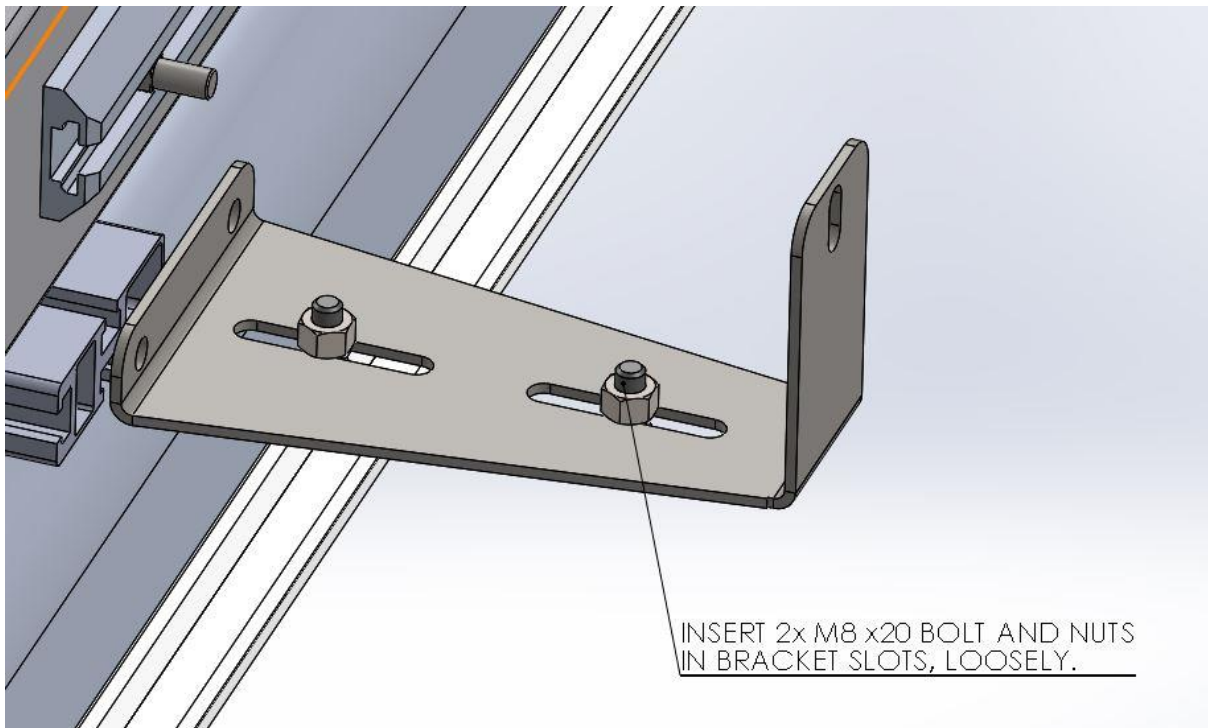
ITEM NO.	PART NUMBER	DESCRIPTION	QTY.
1	Canopy Frame	Canopy Frame	1
2	PRT-0000-02-00000	GEN 3 ROOF TOP TENT	1
3	TENT SUPPORT MOUNTING BRACKET	TENT SUPPORT MOUNTING BRACKET	4
4	HEX HEAD BOLT	M8 HEX BOLT	16
5	CUP SQUARE BOLT	M8x20 CUP SQUARE BOLT	4
6	Hexagon Nut ISO - 4034 - M8 - N	Hexagon Nut	20



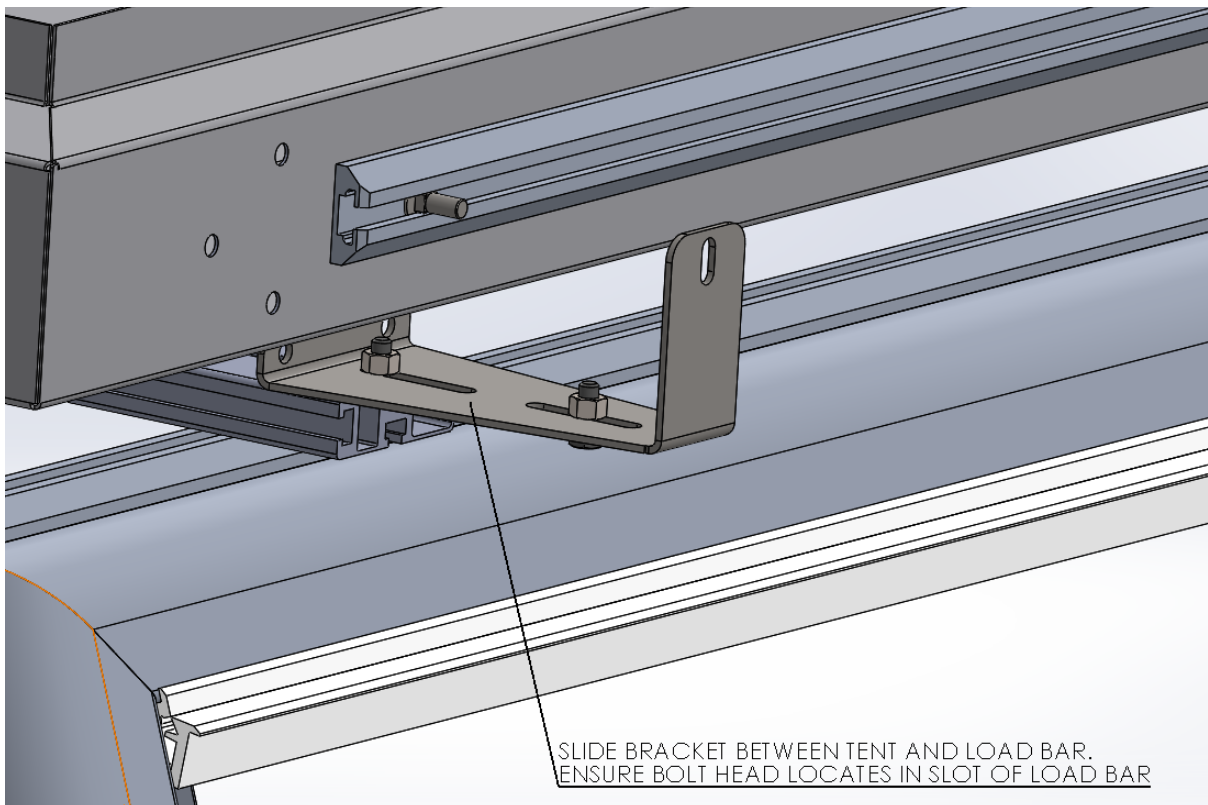
STEP 1:



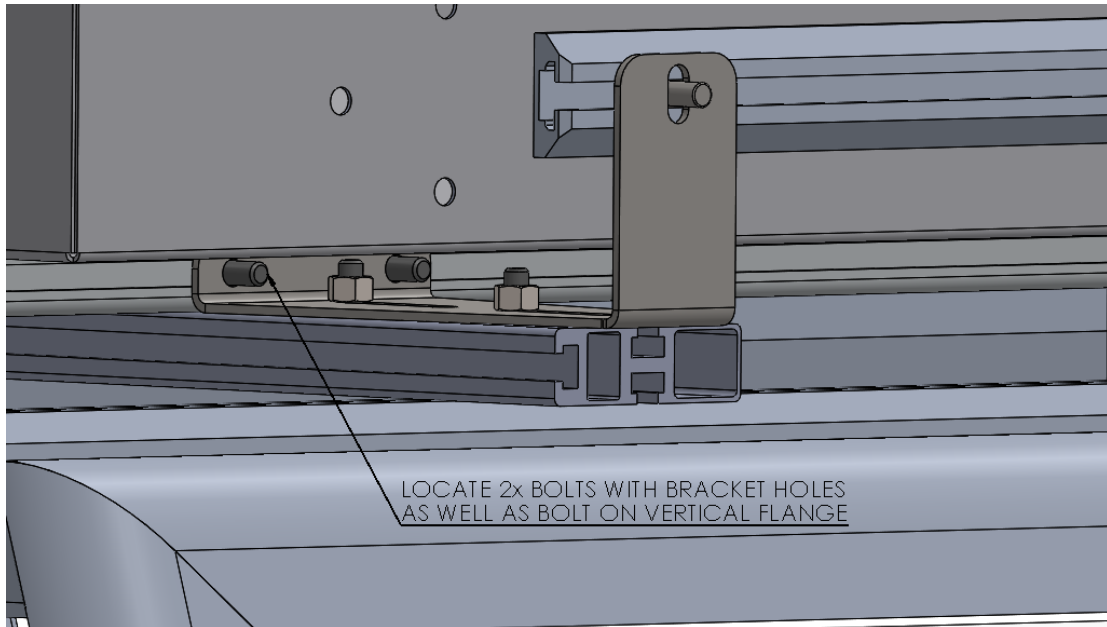
STEP 2:



STEP 3:



STEP 3:



TYPICAL ARRANGEMENT ON 4 ENDS OF LOAD BARS.