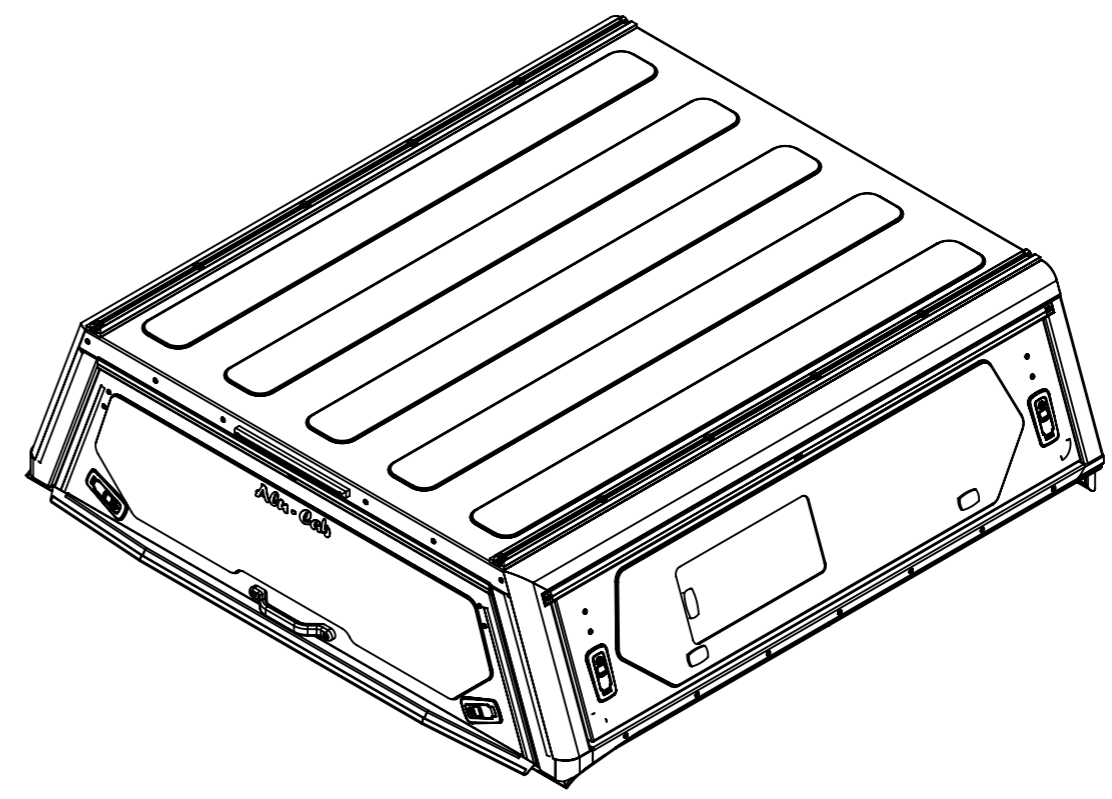
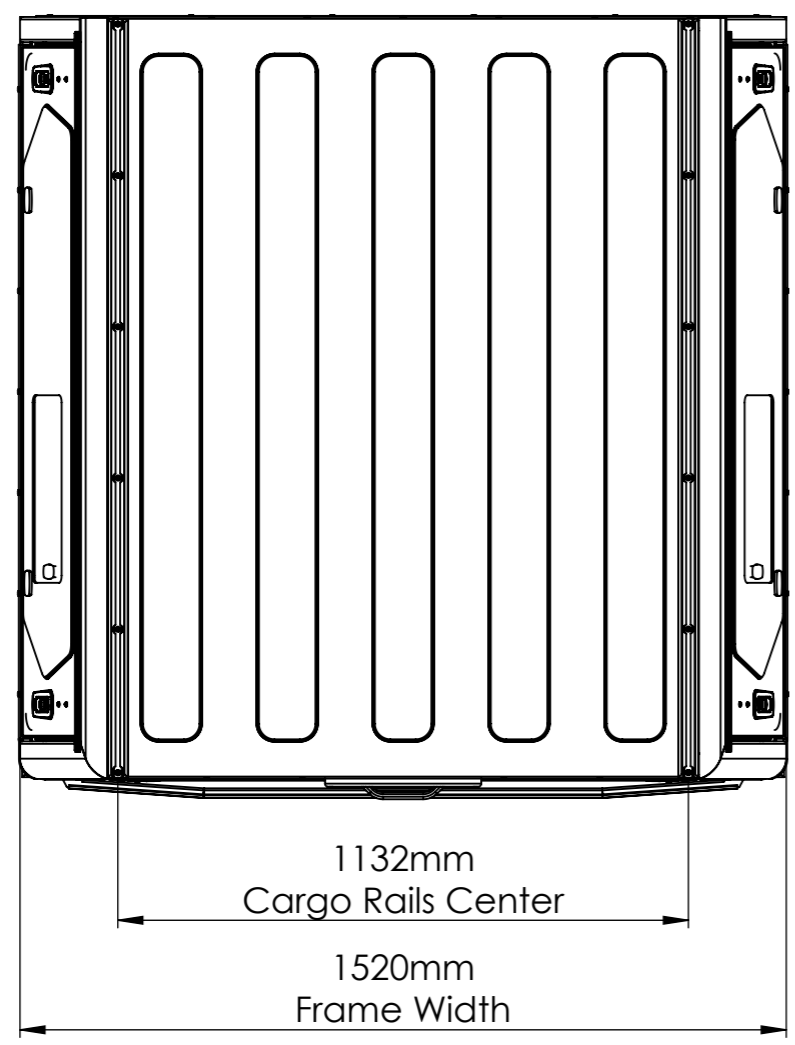
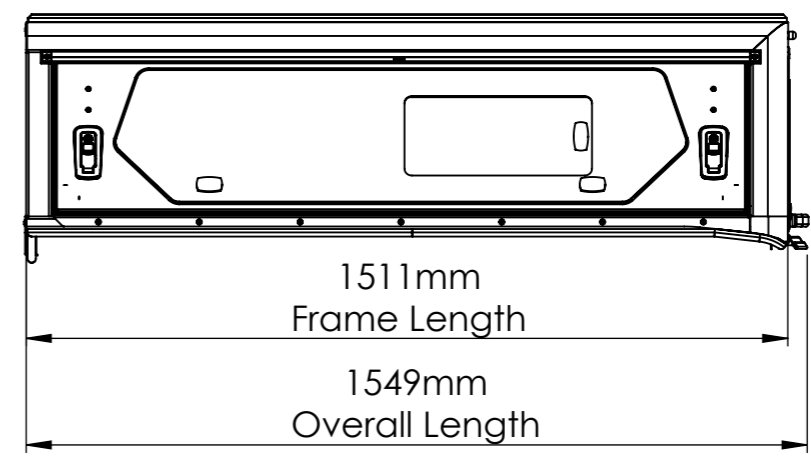
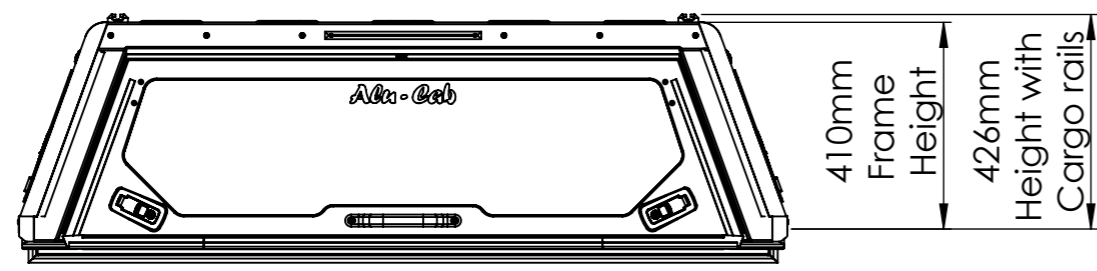


ASSY INFO	MASS (kg):	
	BONDED:	Y
	FASTENED:	Y
FINISH	WELDED:	Y
	TUMBLED:	
	BRUSHED:	
	POWDER:	Y
	SPRAY:	
	COLOUR:	N/A

General Arrangement Only



**TOLERANCES TO ASSUME
UNLESS INDICATED OTHERWISE**

NOM DIMENSION	RANGE (mm)	TOLERANCE
0.50	- 3.00	± 0.10
3.00	- 6.00	± 0.15
6.00	- 30	± 0.20
30	- 120	± 0.30
120	- 400	± 0.50
400	- 1000	± 1.00
1000	- 1000<	± 2.00

DESCRIPTION:
TRITON DC L200 MAIN ASSEMBLY

PROJECT:
C2-D-MI16

DRAWN BY:
Jac Braamse

DATE:
2022-09-29

THE INFORMATION CONTAINED WITHIN THIS DOCUMENT
IS THE INTELLECTUAL PROPERTY OF ALU-CAB (PTY) LTD

SHEET:
A3

SCALE:
1:15

SHEET
1 of 1



DRAWING NO.
C2-D-MI16-A00-GA

REV
00