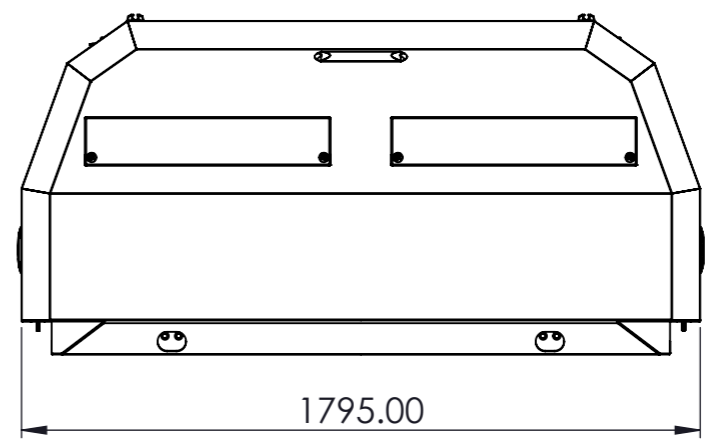
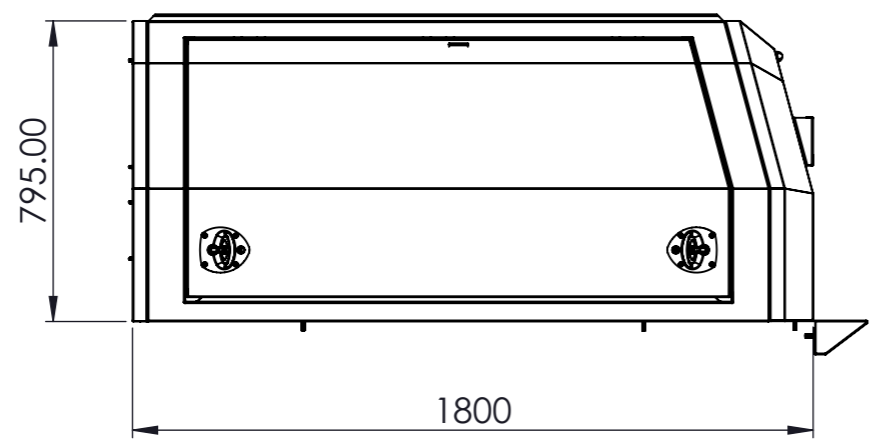
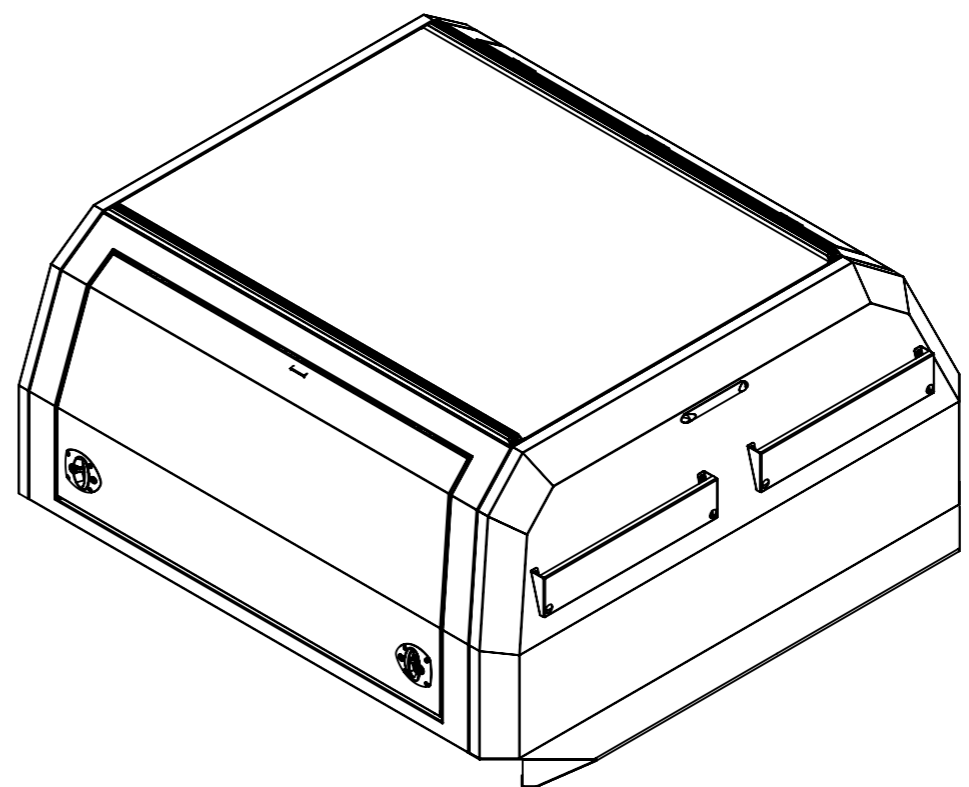
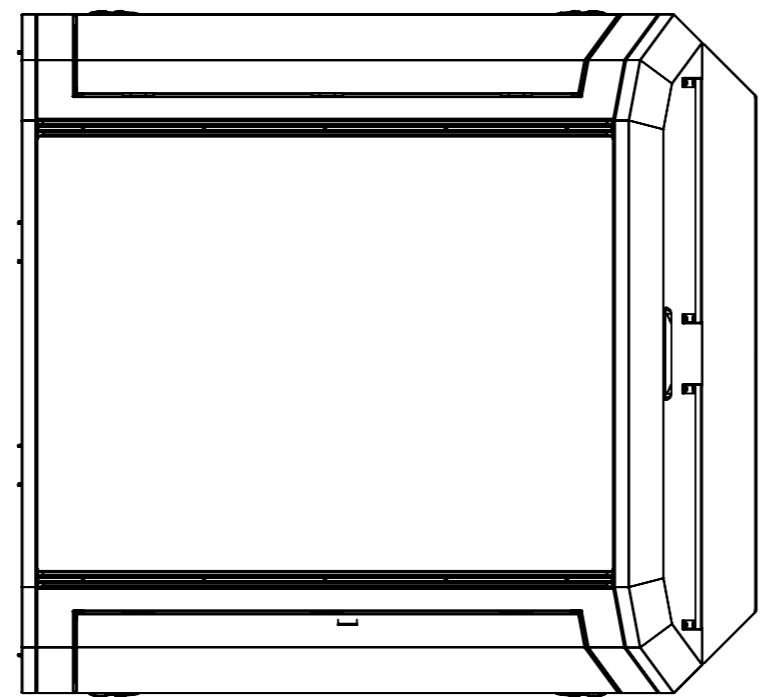



12 11 10 9 8 7 6 5 4 3 2 1

H  
G  
F  
E  
D  
C  
B  
A



ROCK SOLID INDUSTRIES IS THE OWNER OF THIS/THESE DRAWING/S. IT MAY NOT BE COPIED, LOANED OR DISCLOSED TO OTHERS WITHOUT THE WRITTEN CONSENT OF RSI	Designed by M. DREYER	Checked by	Approved by	Approved Date	Creation Date 02/07/2019
	 <b>ROCK SOLID INDUSTRIES</b> <a href="http://www.smartcanopy.co.za">www.smartcanopy.co.za</a>	PART NUMBER A184802002 & A184802002			
		DESCRIPTION RSI SMART TRAY DC CANOPY	Edition	Sheet SHEET 1 OF 1	

12 11 10 9 8 7 6 5 4 3 2 1