

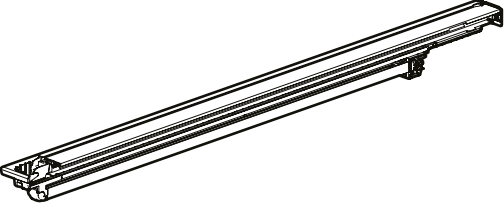
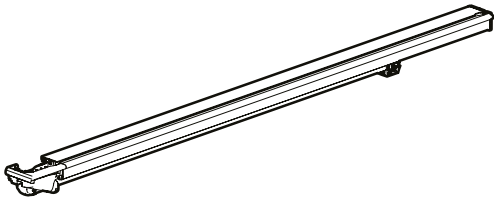
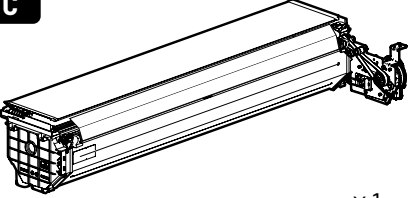

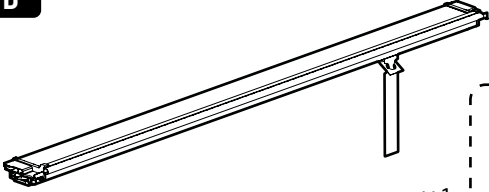

MOUNTAIN TOP[®] EVOe

Installation manual

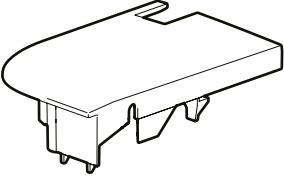
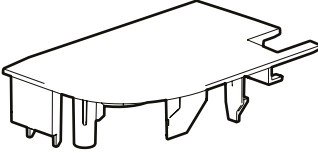


DOWNLOAD PDF

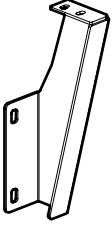
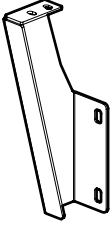


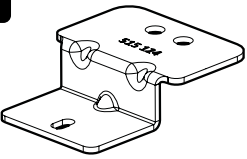
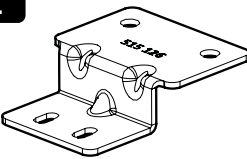
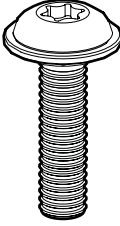
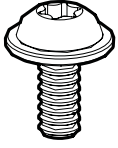
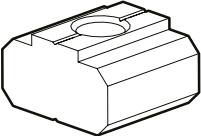
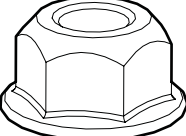
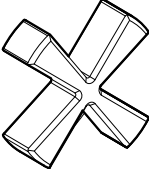
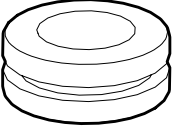
Parts

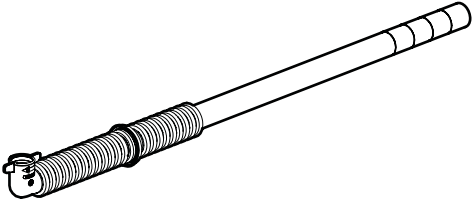
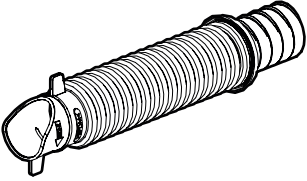
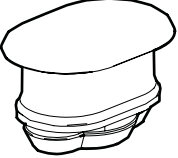

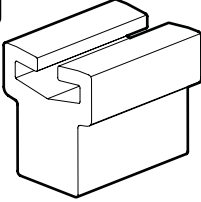
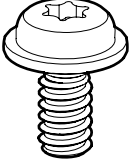
<p>A</p>  <p>x1</p>	<p>B</p>  <p>x1</p>
<p>C</p>  <p>x1</p> <div style="border: 1px dashed black; padding: 5px; display: inline-block;"> <p>X2</p>  <p>x2</p> </div>	<p>D</p>  <p>x1</p> <div style="border: 1px dashed black; padding: 5px; display: inline-block;"> <p>Y2</p>  <p>x1</p> </div>

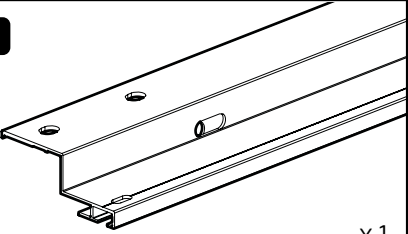
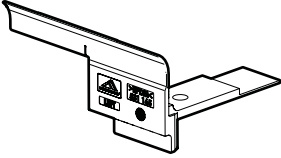
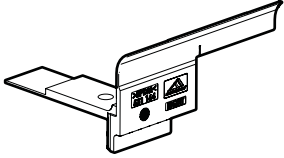
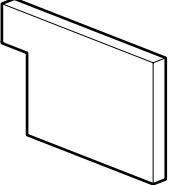
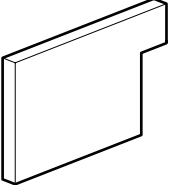
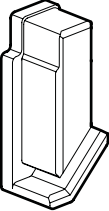
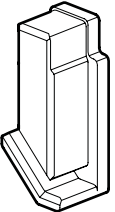
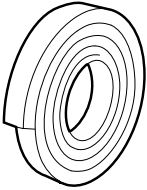
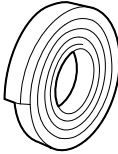
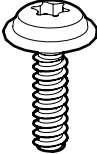
Kit

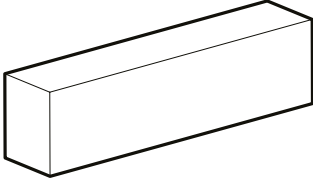
<p>E</p>  <p>LEFT x1</p>	<p>F</p>  <p>RIGHT x1</p>
--	--

Kit

<p>G</p>  <p>x1</p>	<p>H</p>  <p>x1</p>	<p>I</p>  <p>x1</p>	<p>J</p>  <p>x1</p>
<p>K</p>  <p>Rap Cab: x 0 Double Cab: x 2</p>	<p>L</p>  <p>Rap Cab: x 4 Double Cab: x 2</p>	<p>M</p>  <p>M8X30 x 18</p>	<p>N</p>  <p>Rap Cab: x 16 Double Cab: x 14</p> <p>M6X12</p>
<p>O</p>  <p>x6</p>	<p>P</p>  <p>x6</p>	<p>Q</p>  <p>x2</p>	<p>R</p>  <p>x1</p>

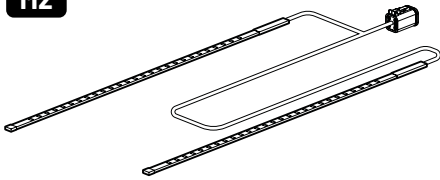
Kit							
S			x 2				
T			x 2				
U		x 2	V		M6x30	x 2	
W			x 5	X		M6x16	x 5

Kit							
A2			x 1				
B2			x 1				
C2			x 1				
D2			x 1				
E2			x 1				
F2			x 1				
G2		x 1	H2		6x25mm	x 2	
I2		6x10mm	x 1	J2		M5x14	x 2

Kit	
K2	
20x25x100mm	x 2

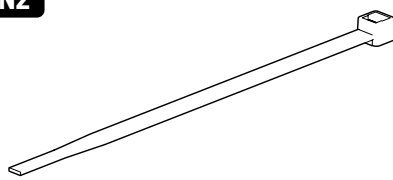
LED Kit

M2



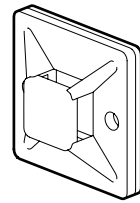
x1

N2



x6

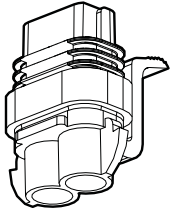
O2



x6

Power supply kit

P2



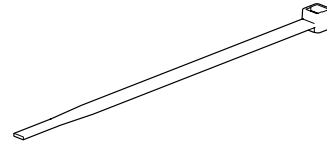
x1

Q2



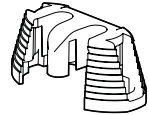
x1

R2



x6

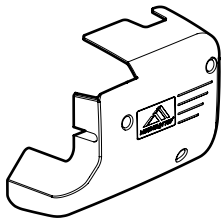
S2



x1

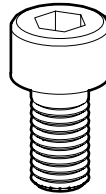
Kit

T2



x1

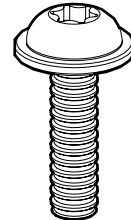
U2



M5x10

x3

V2

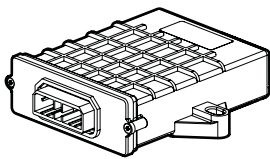


M6x20

x2

Kit

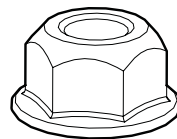
W2



x1

Kit

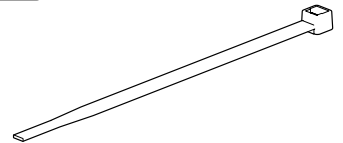
Z2



M6

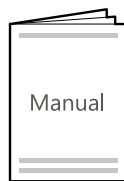
x2

Z3



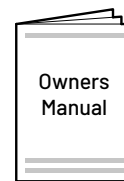
x10

Kit



Manual


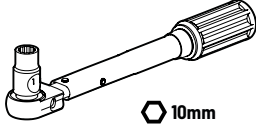


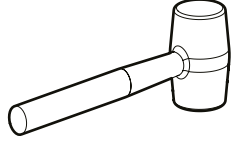
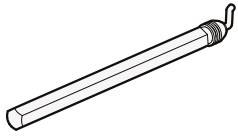
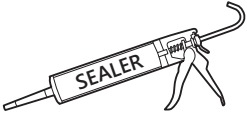
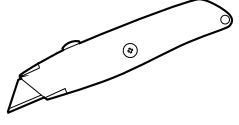
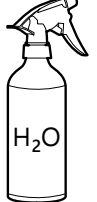
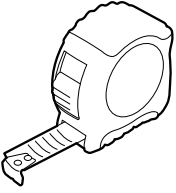
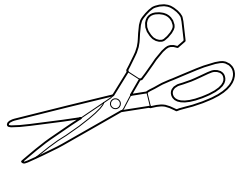

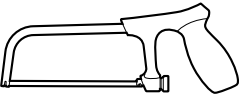

x1



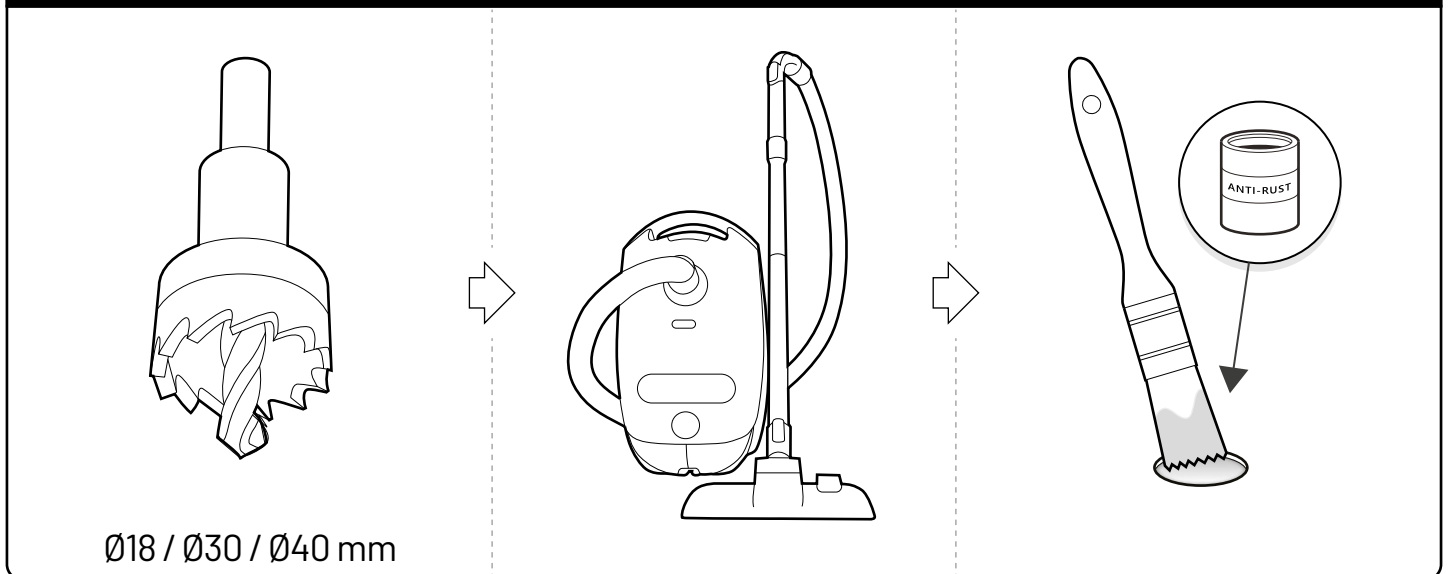
Owners
Manual

x1

Tools needed

 Ø3.5 + Ø10 MM	1 - 25 Nm  10mm T20, T30, T40	 Rust protection Rostschutzmittel Anti-rouille Anti roest		
				
				

Applying rust protection

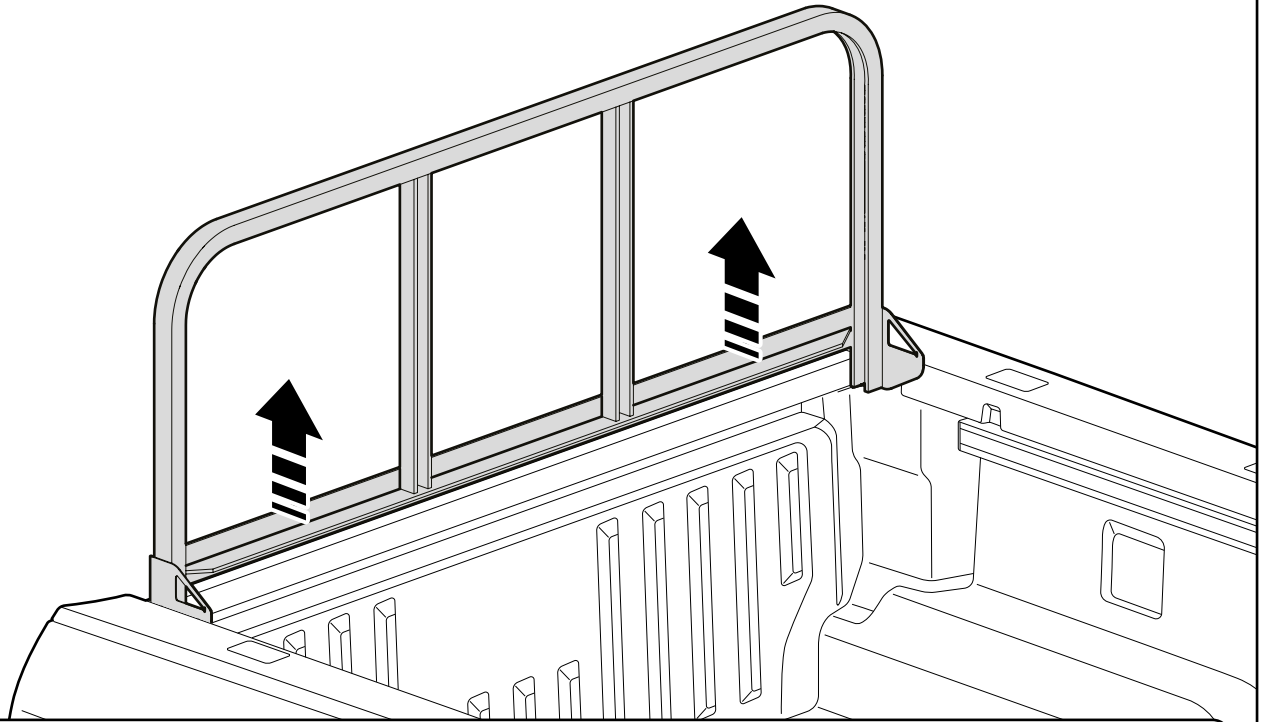




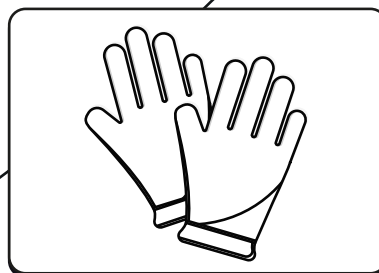
**If sheet metal is scratched during installation,
apply rust protection to damaged areas**

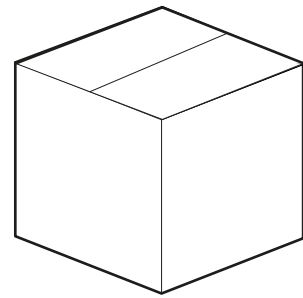
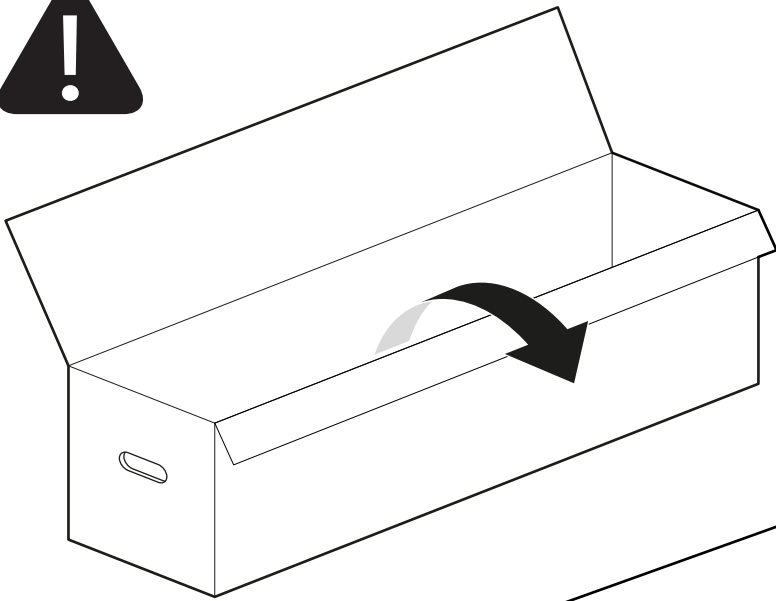


**Tie must not be attached to AC lines
(AC lines are the metal pipes in the engine bay)**

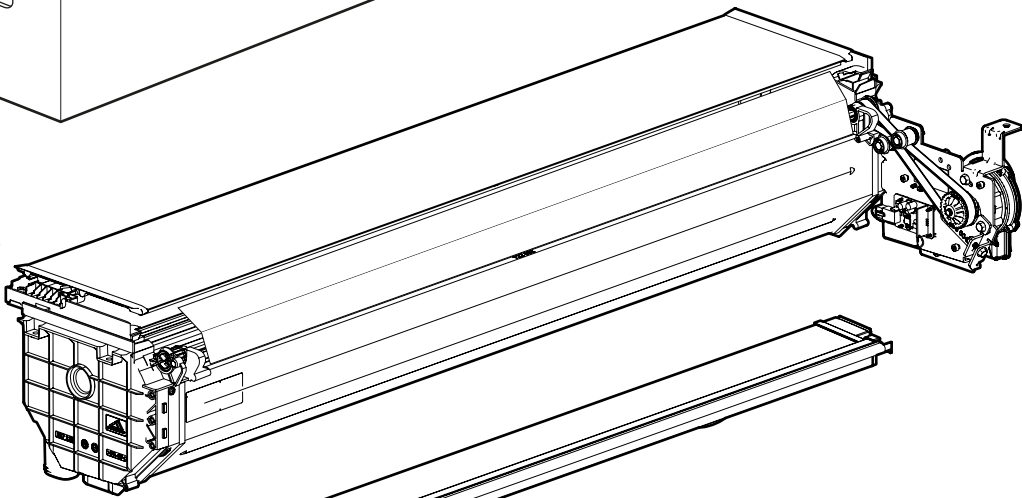


Rollershutter not compatible with load rest bar - part cannot be re-installed once Rollershutter have been installed (store parts)

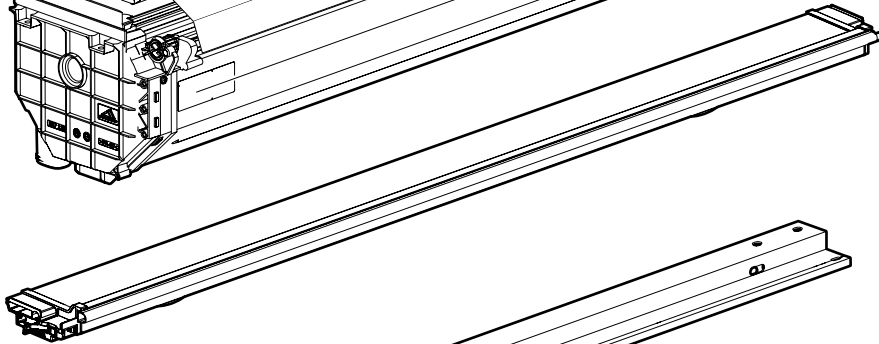




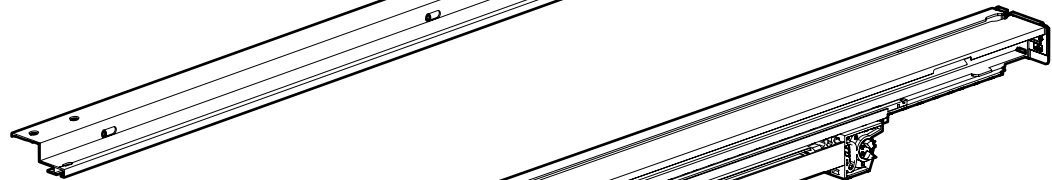
C



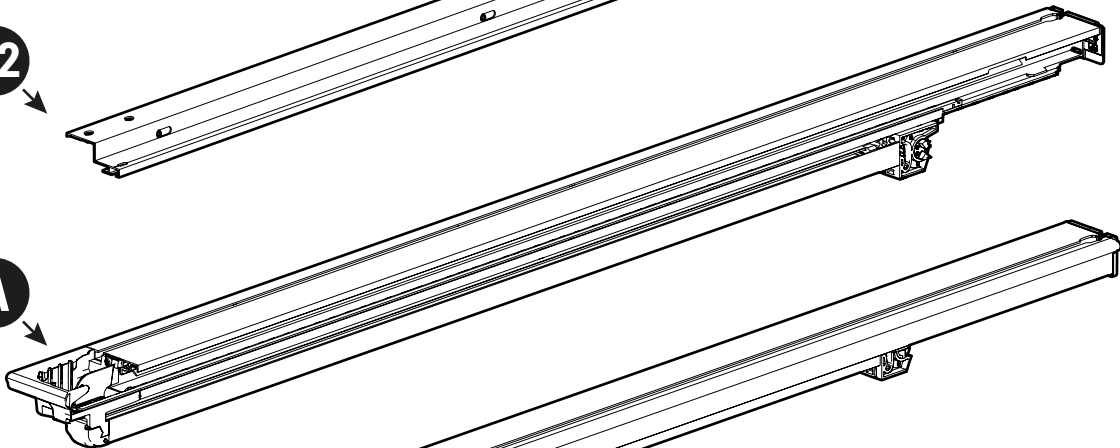
D



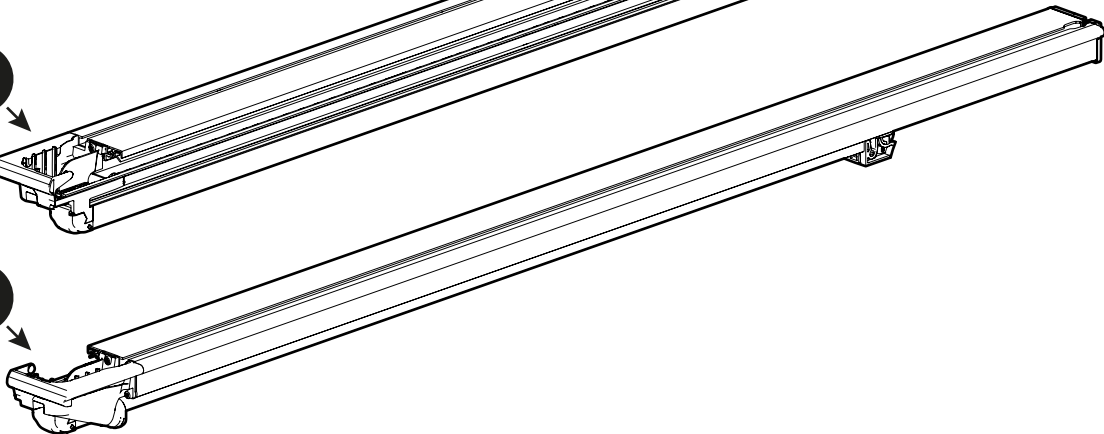
A2



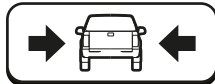
A



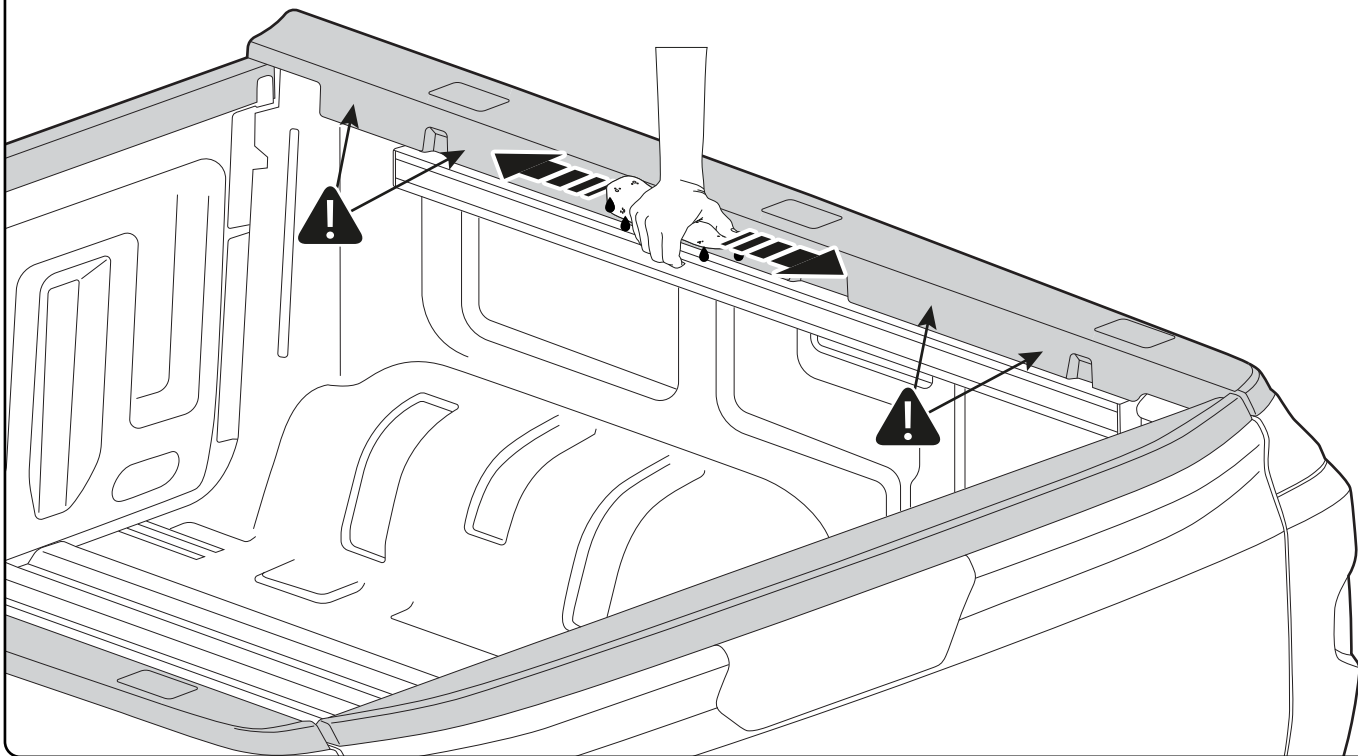
B



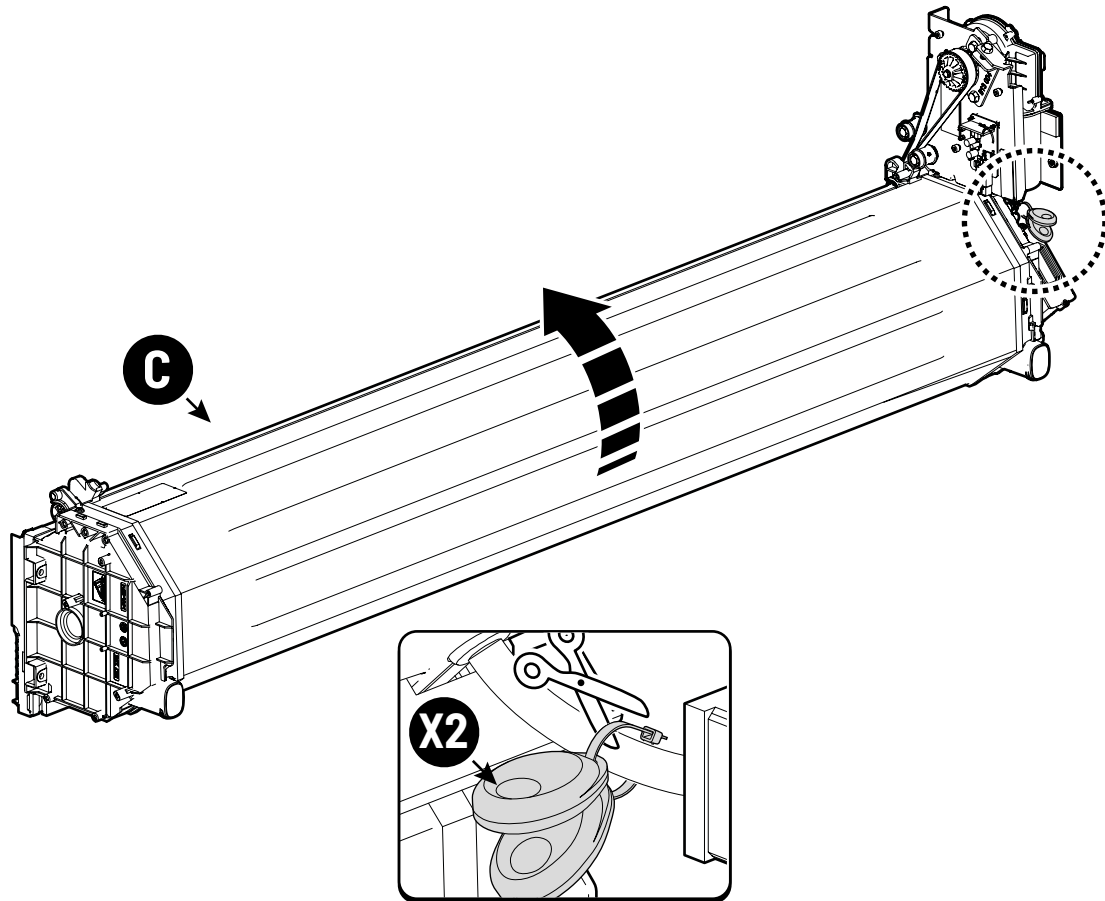
 Water & sponge

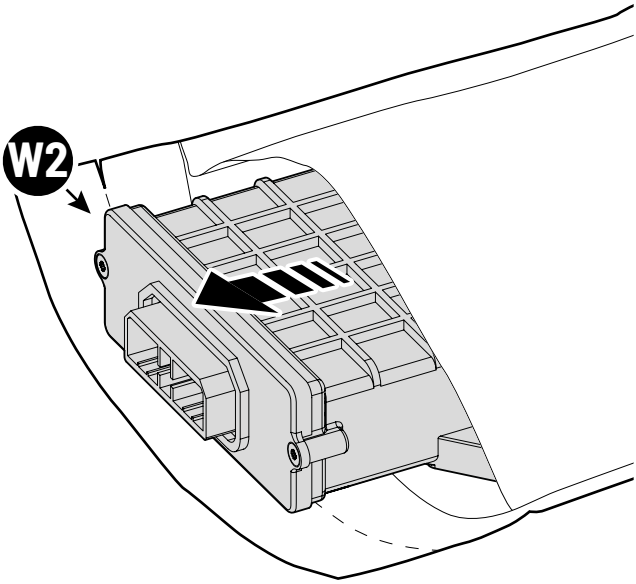


2

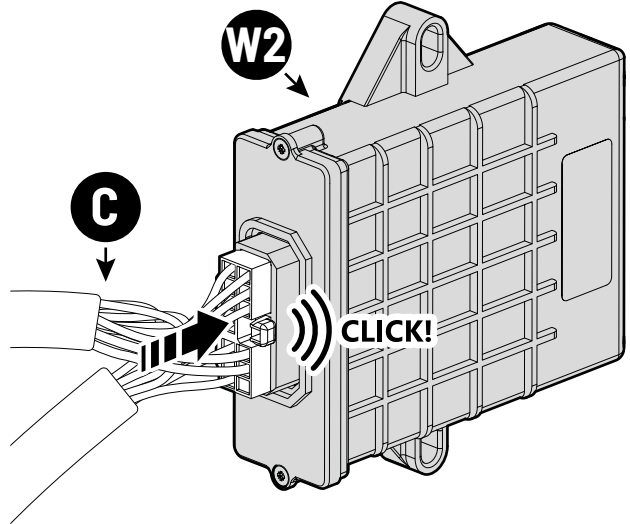


3



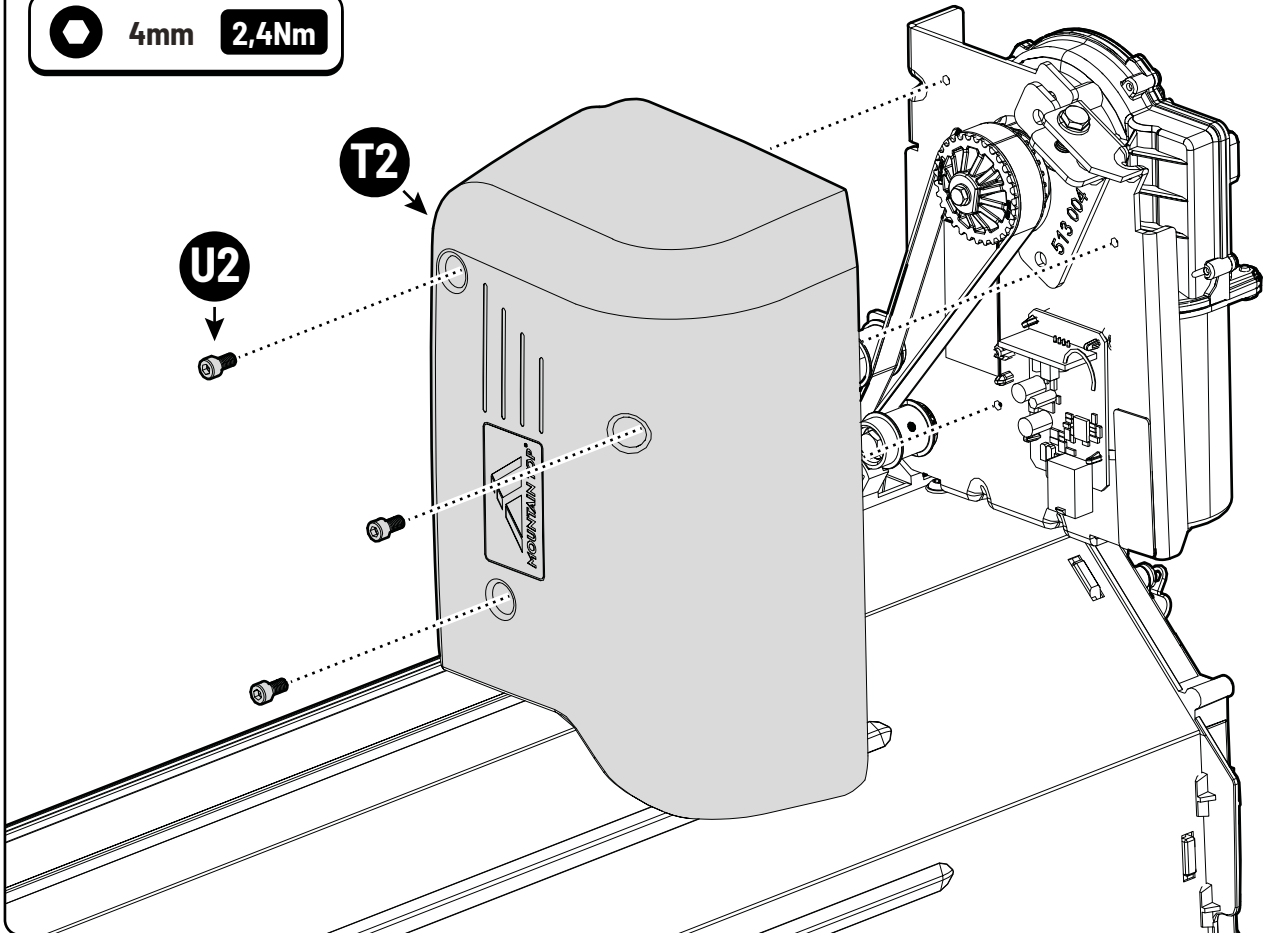


1

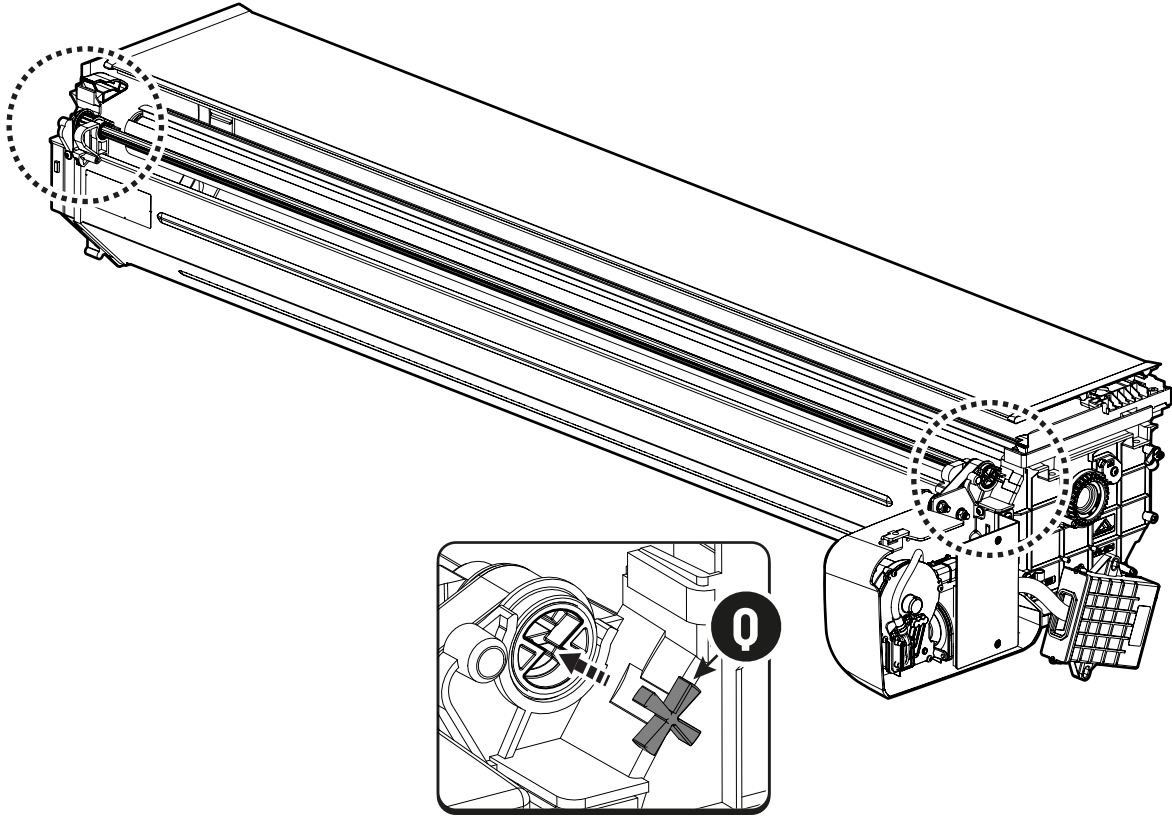


2

4mm 2,4Nm

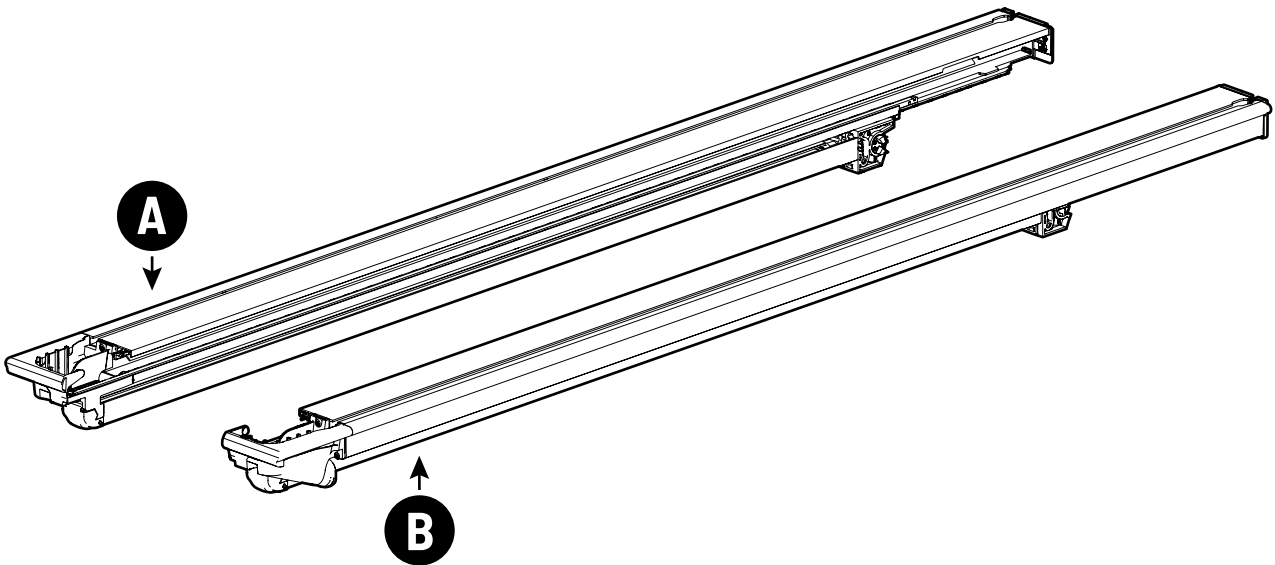


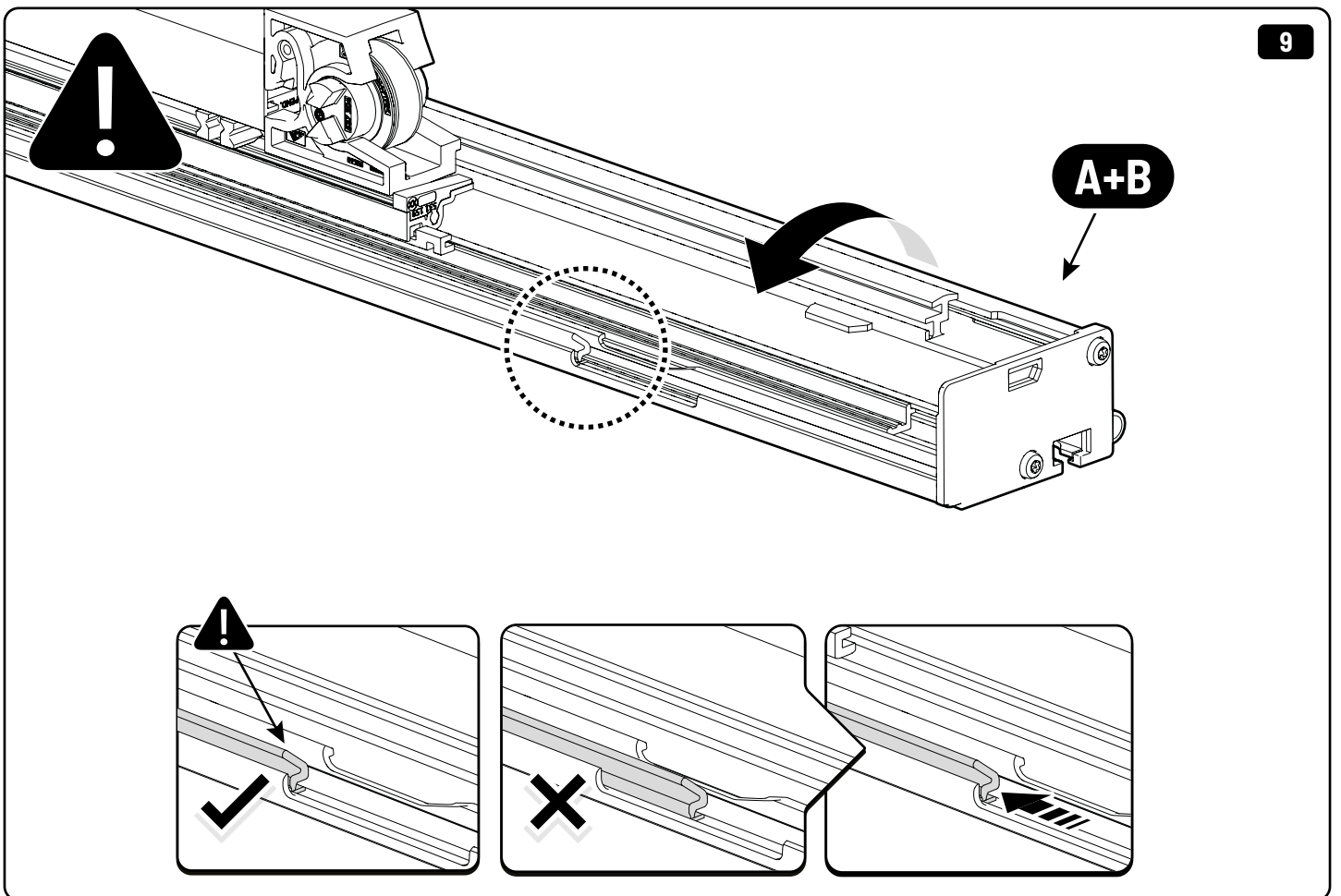
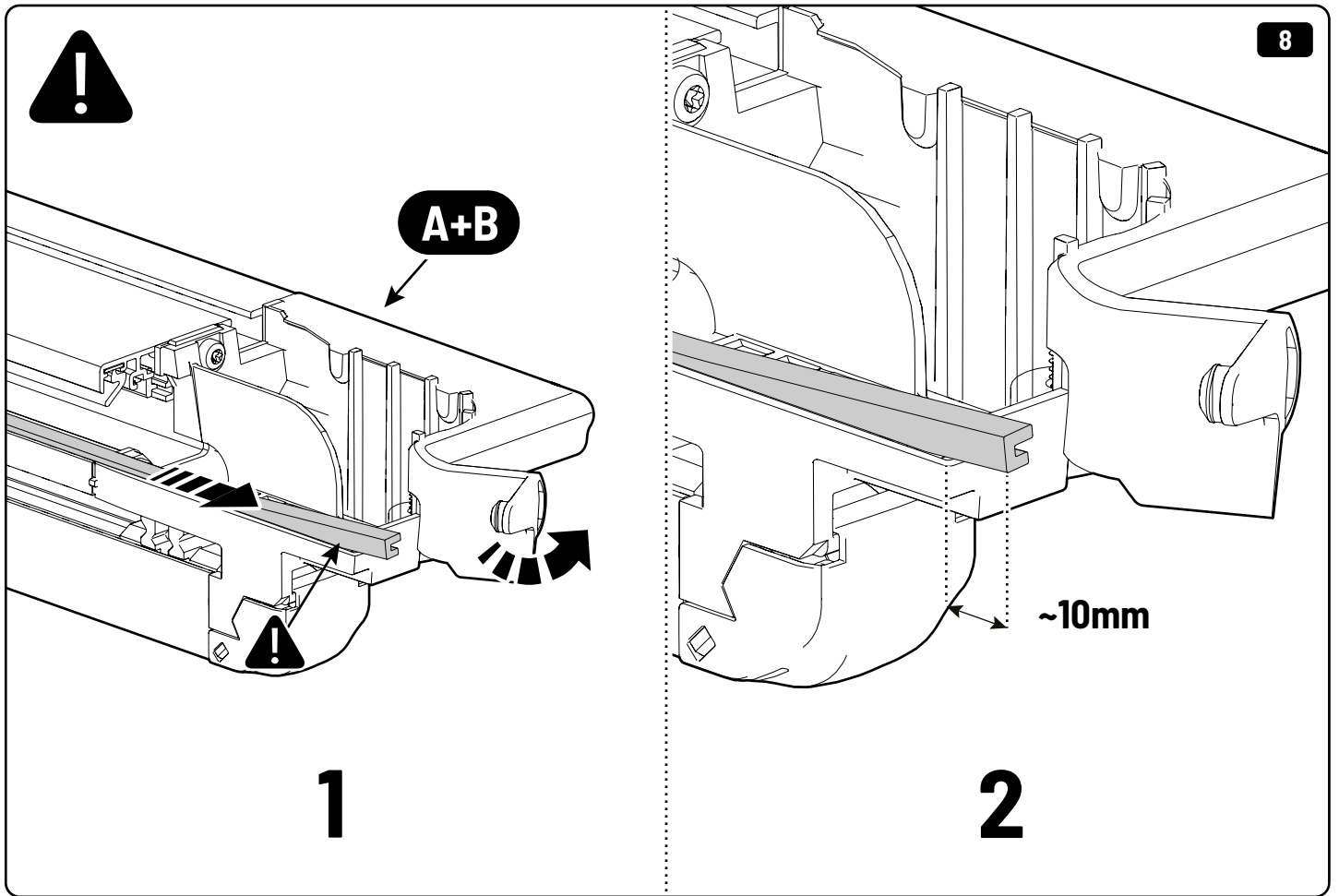
6

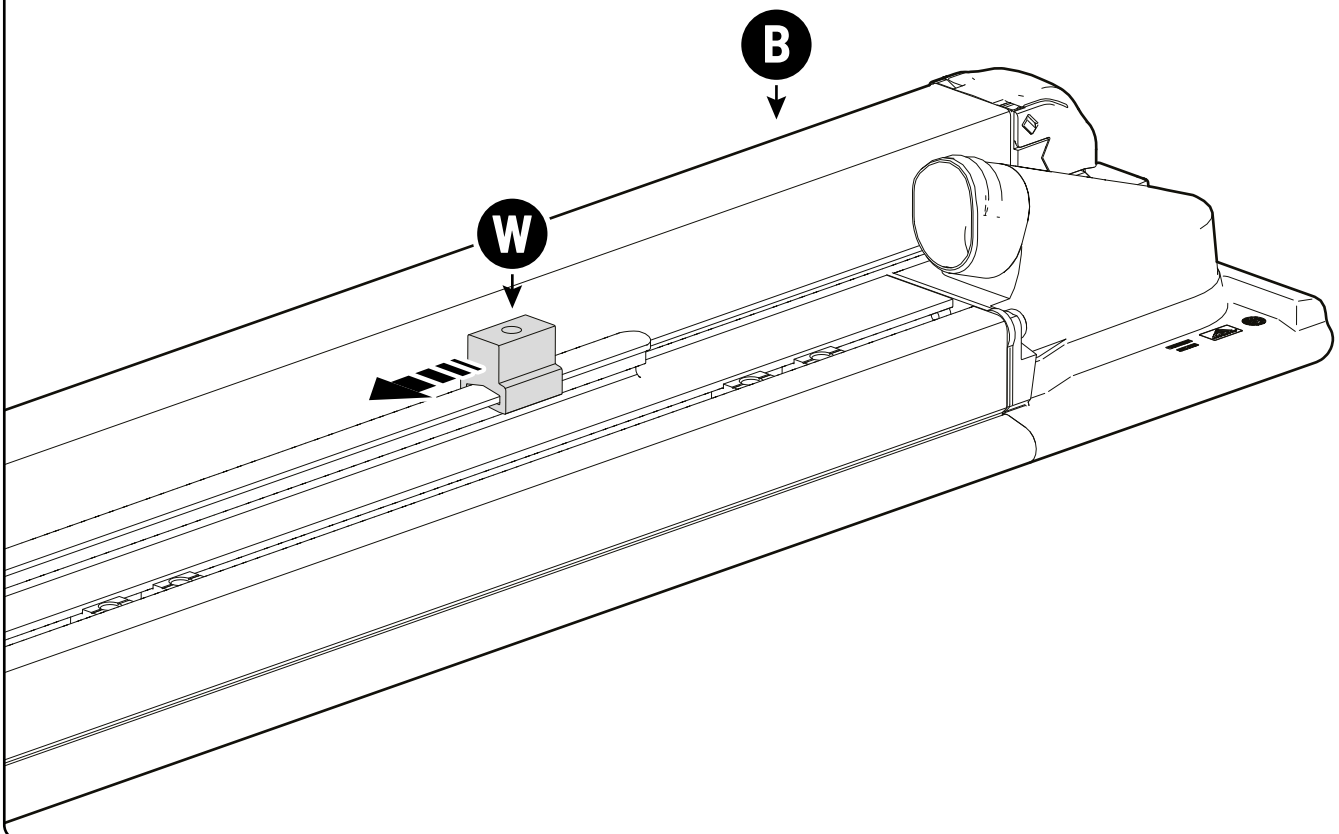
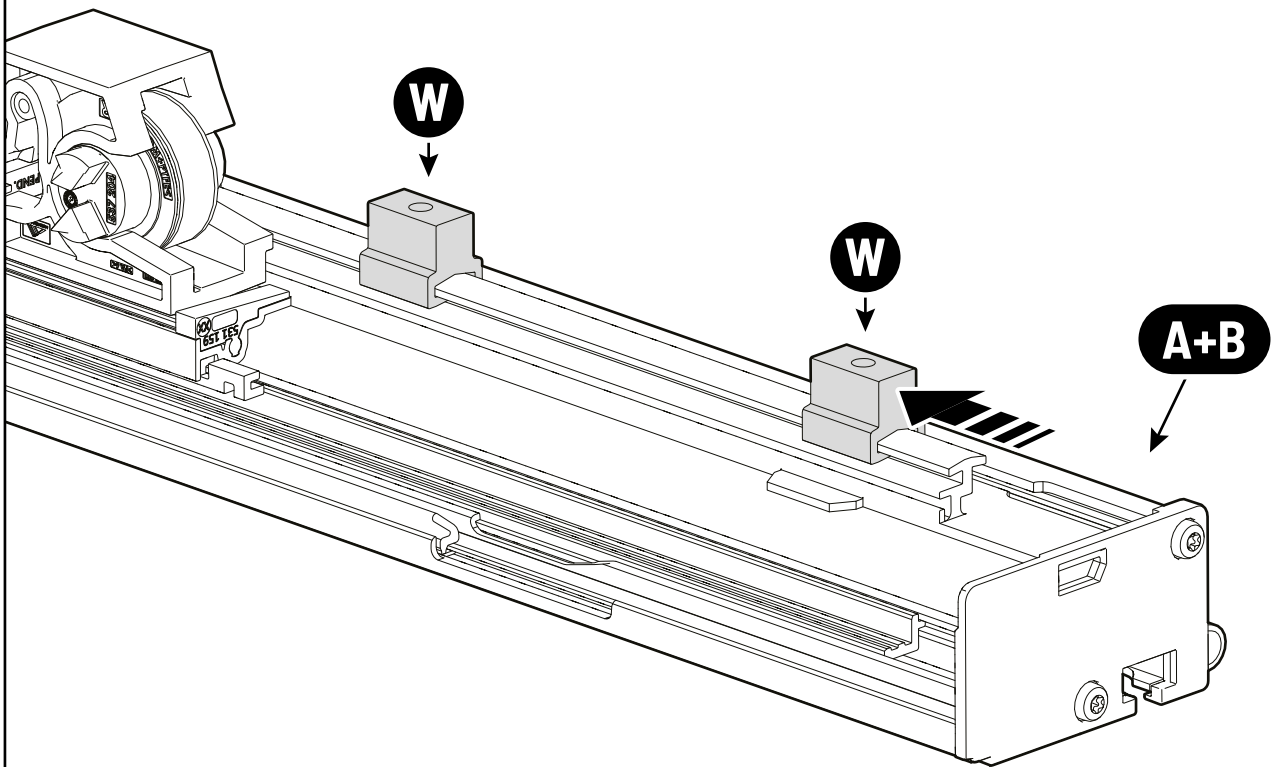


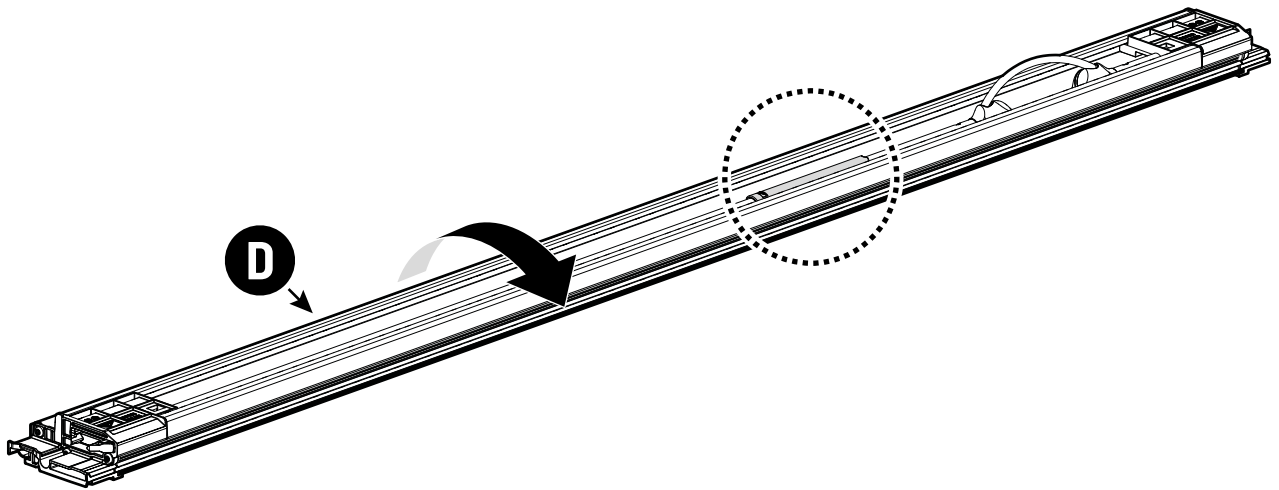
x2

7

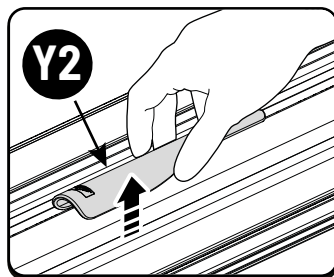




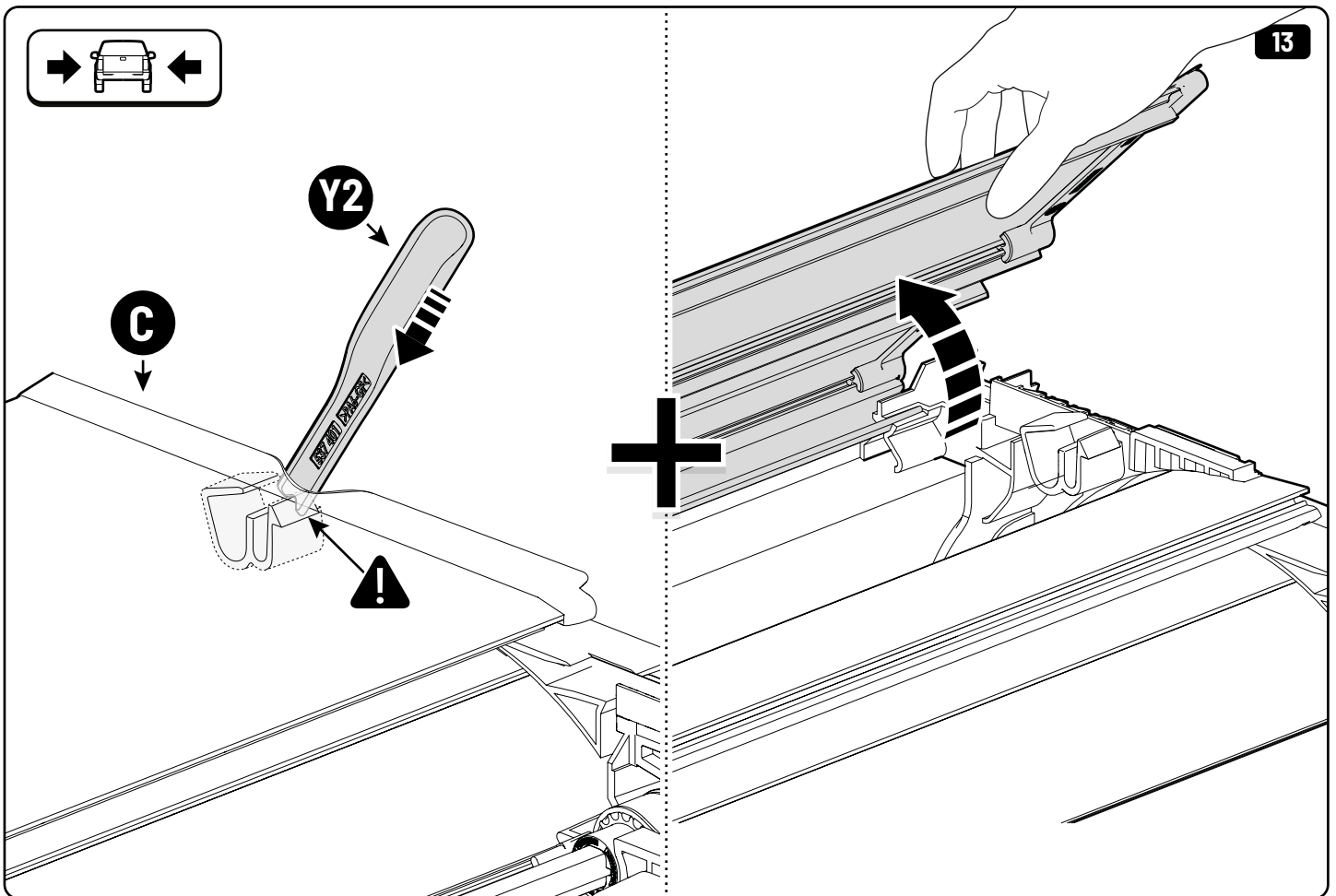
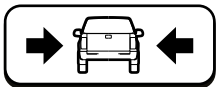




D



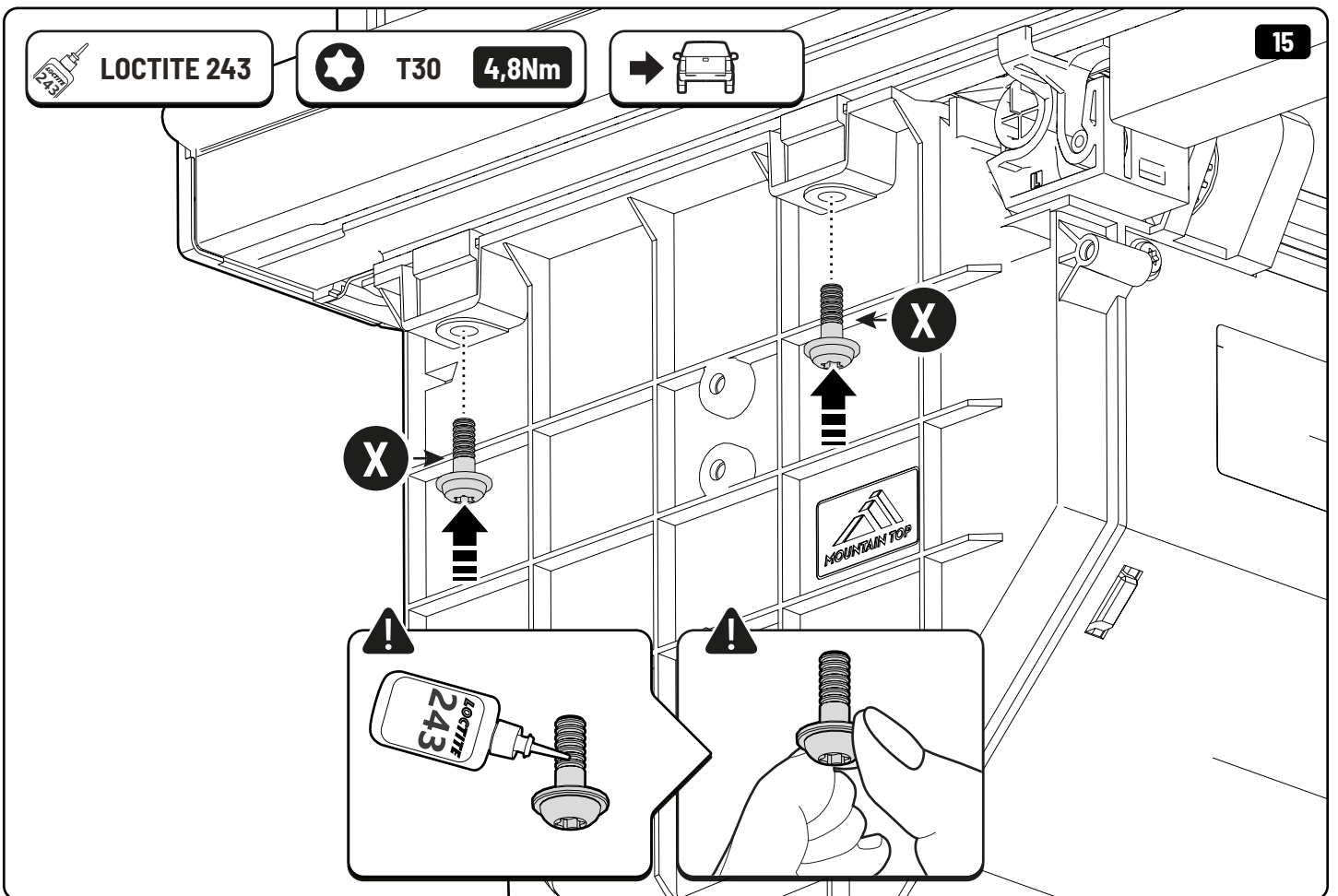
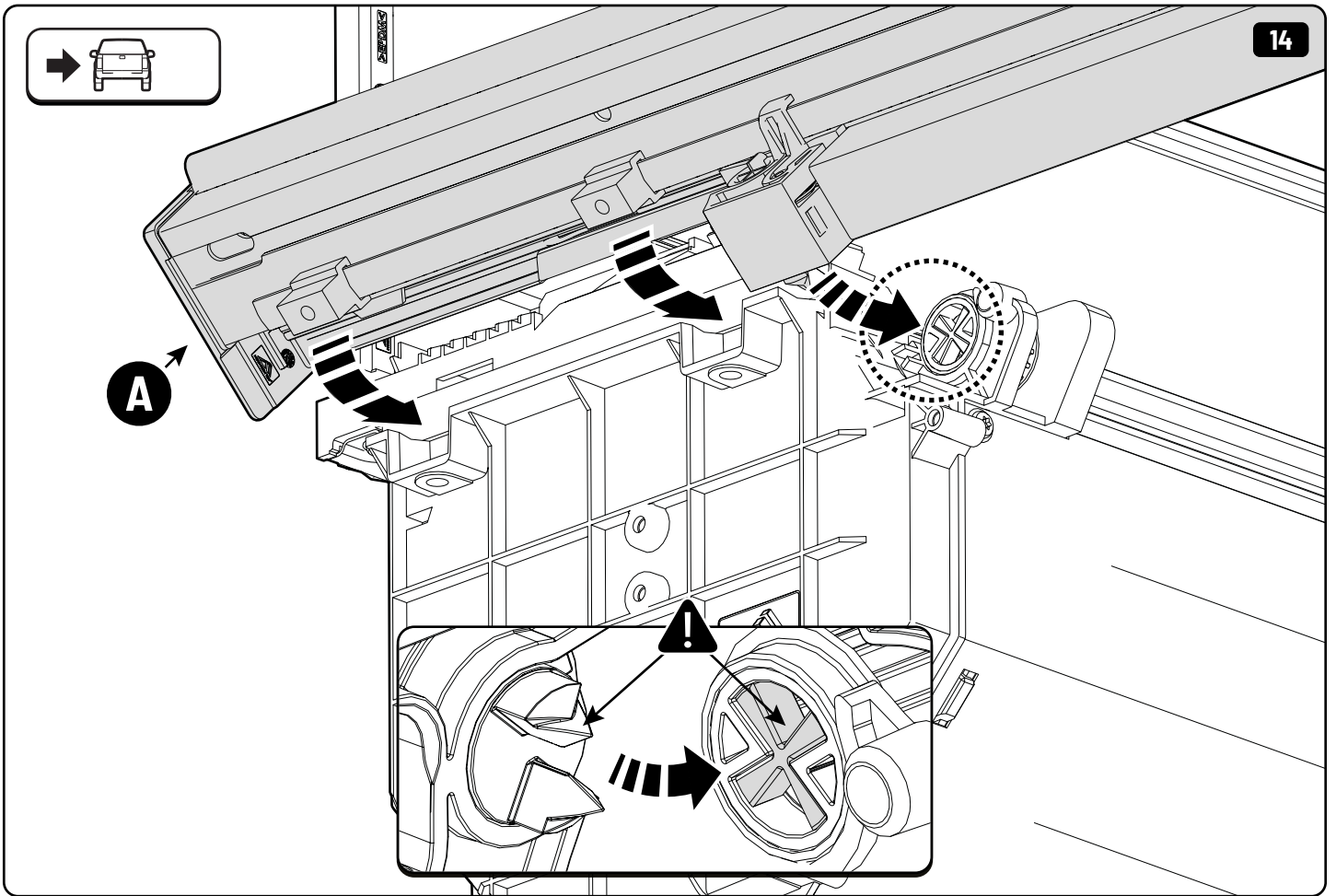
Y2



Y2

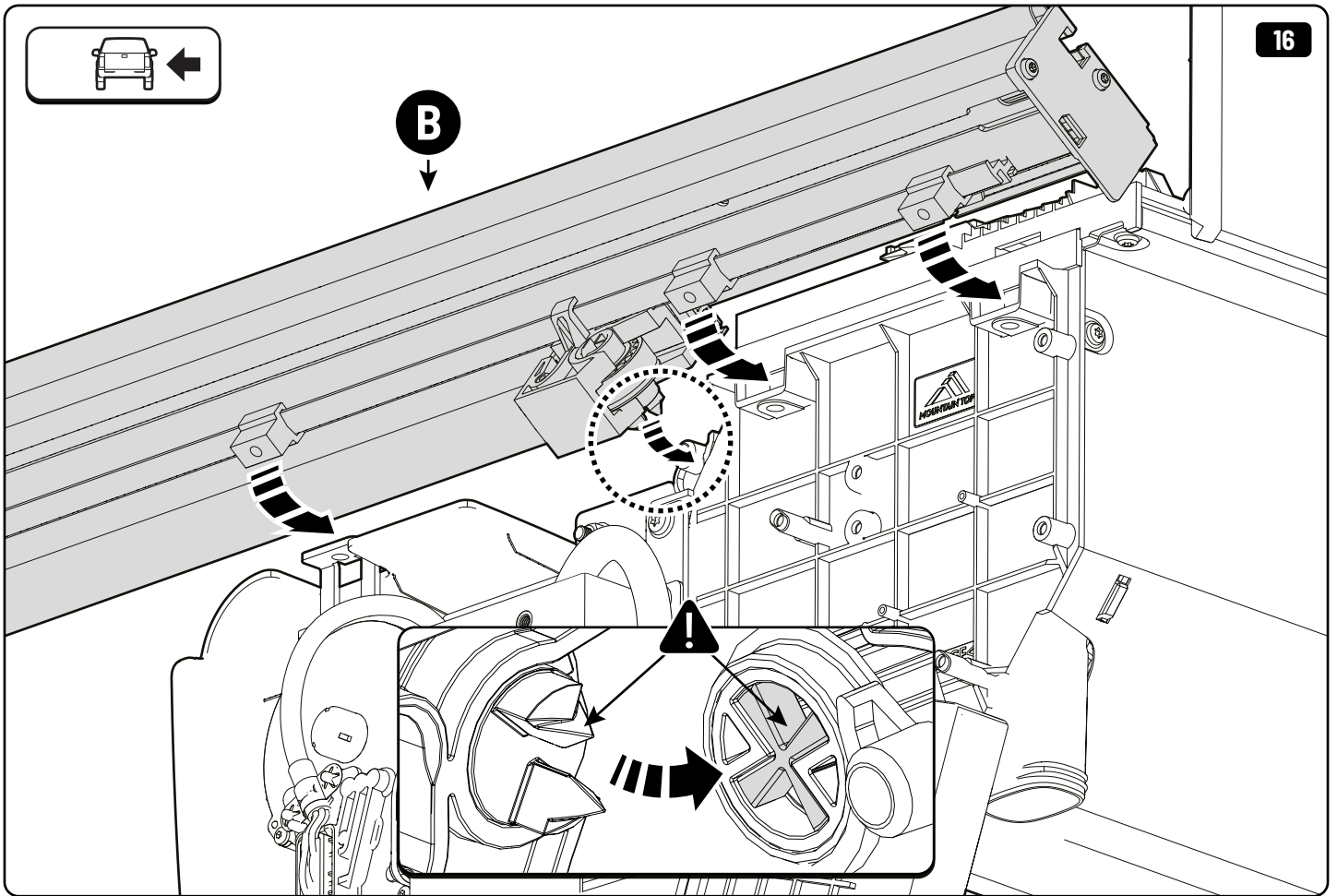
C

+

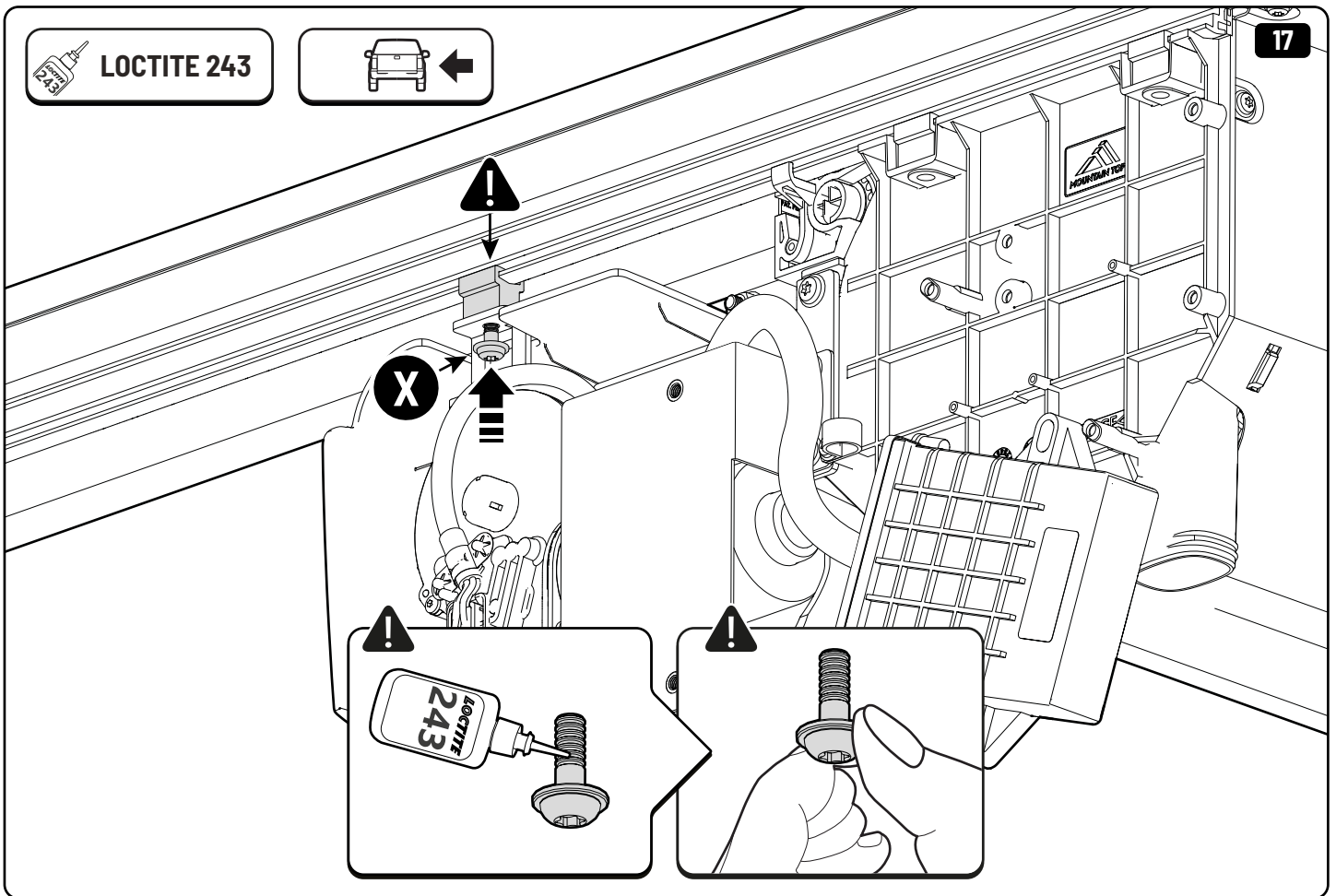


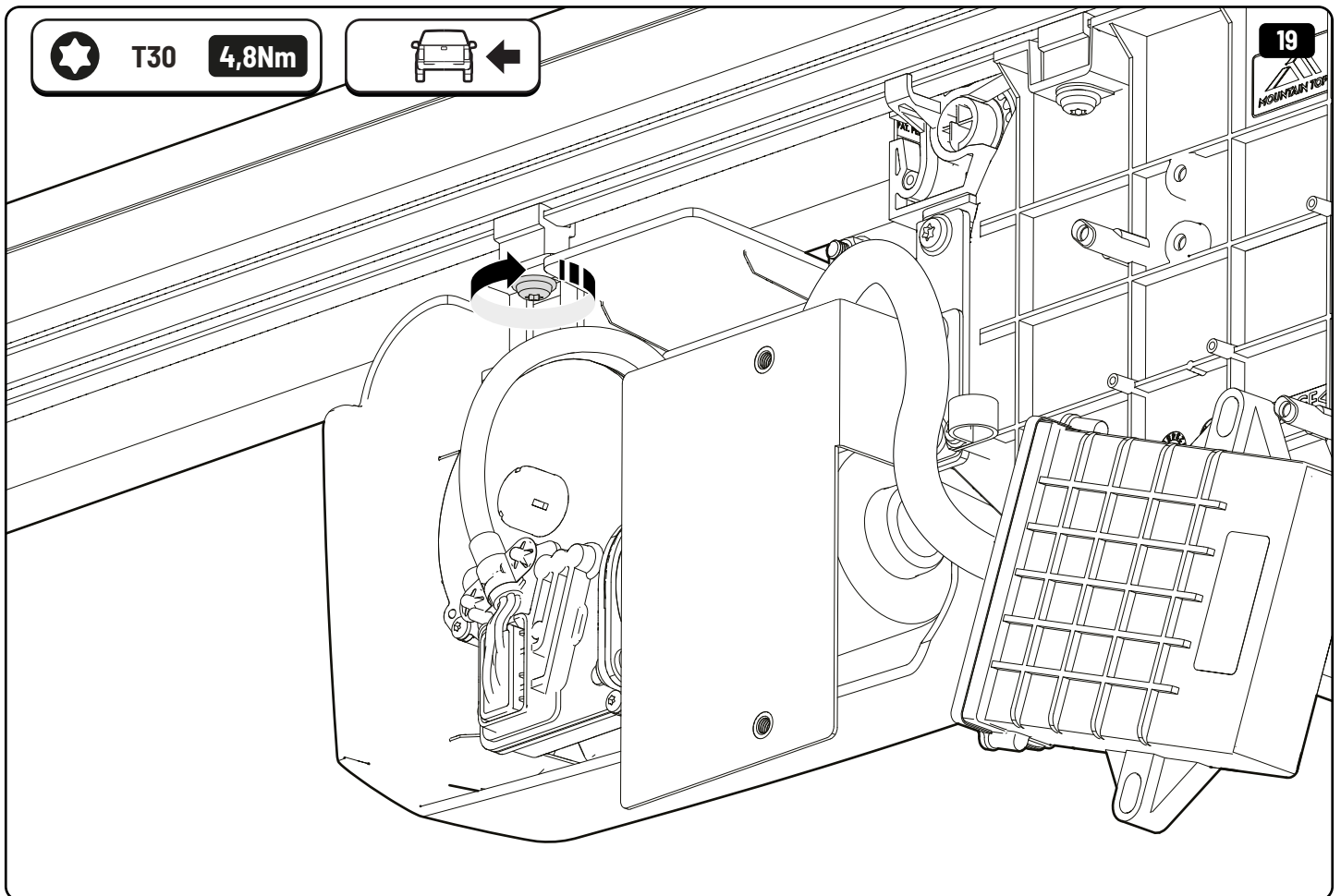
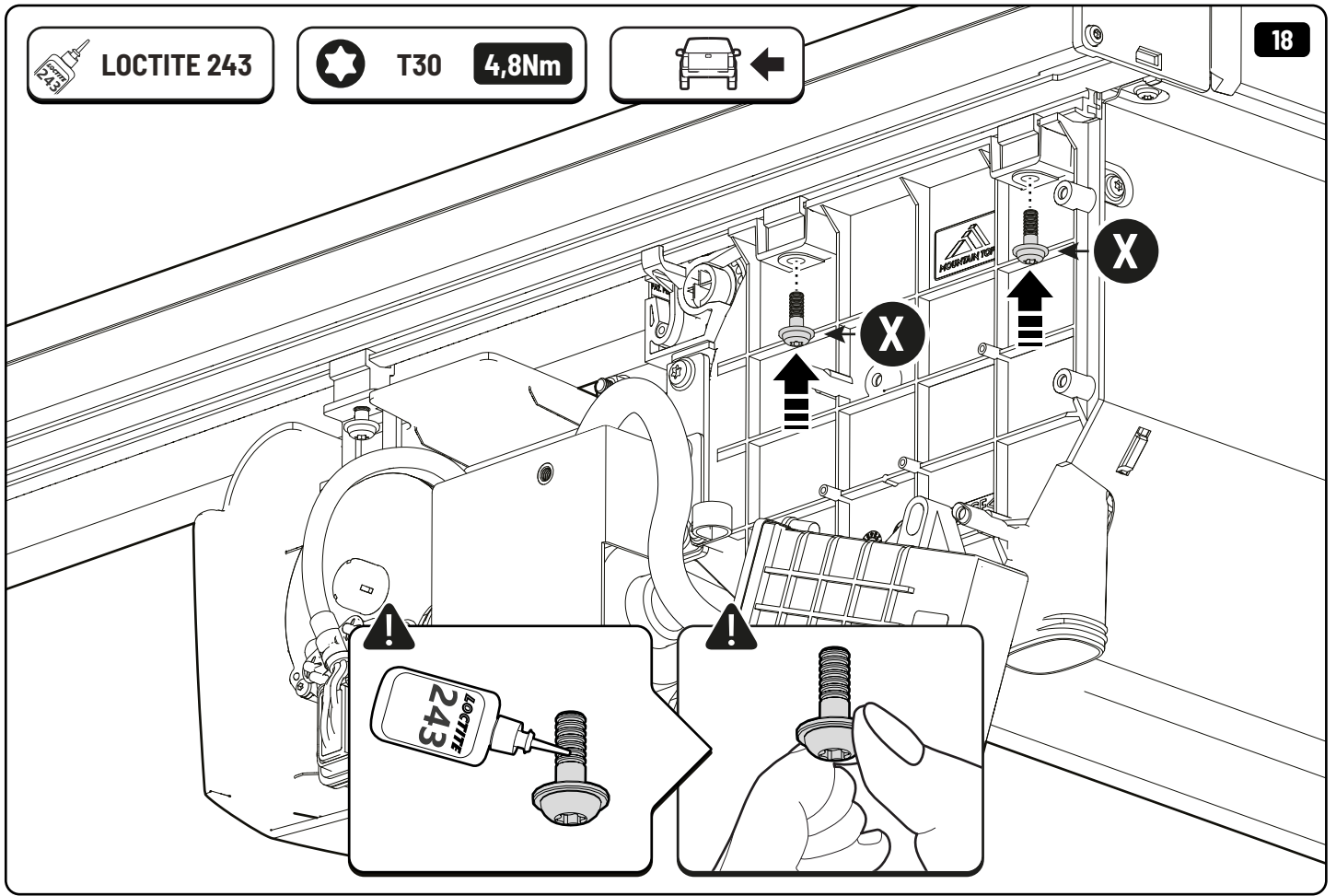


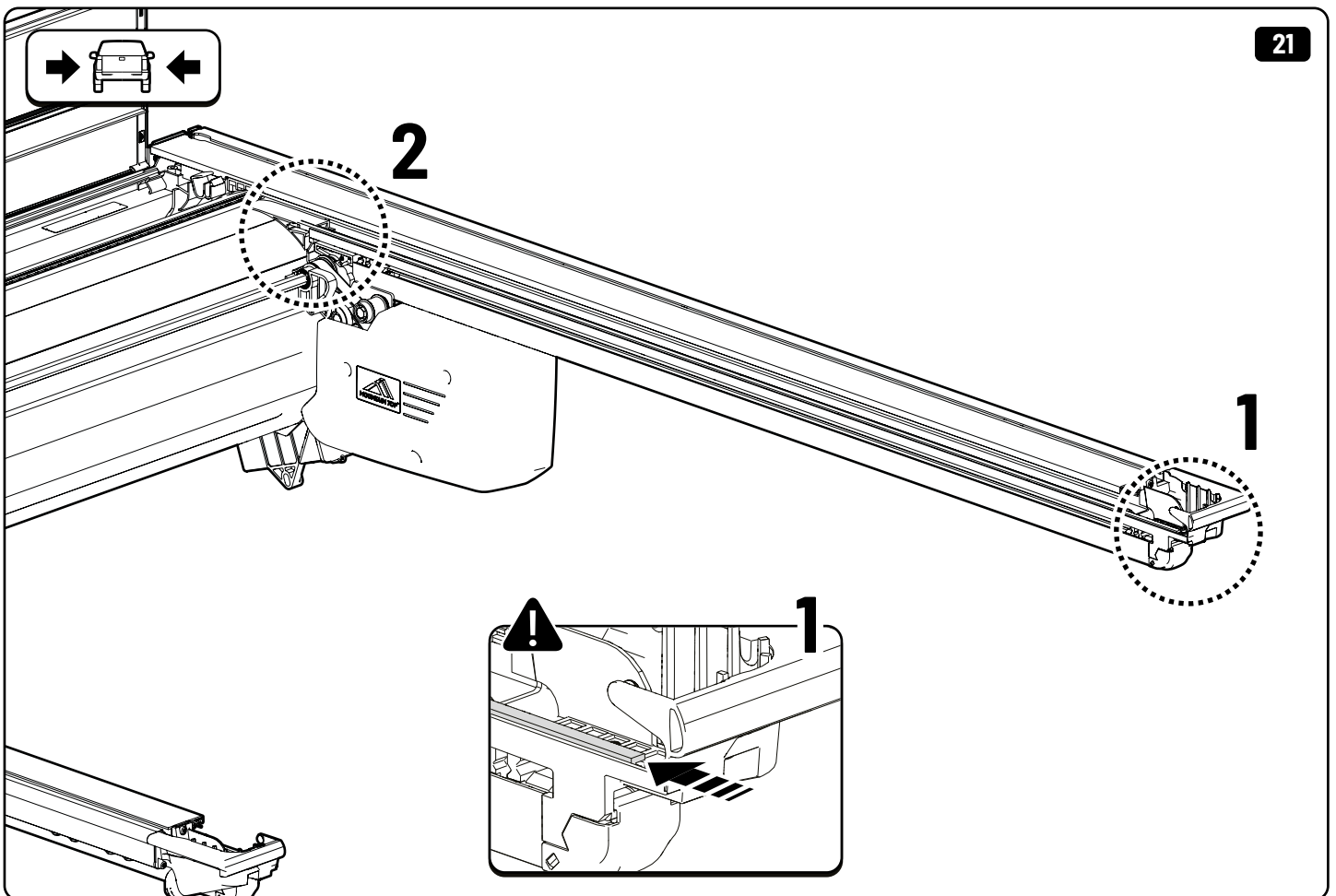
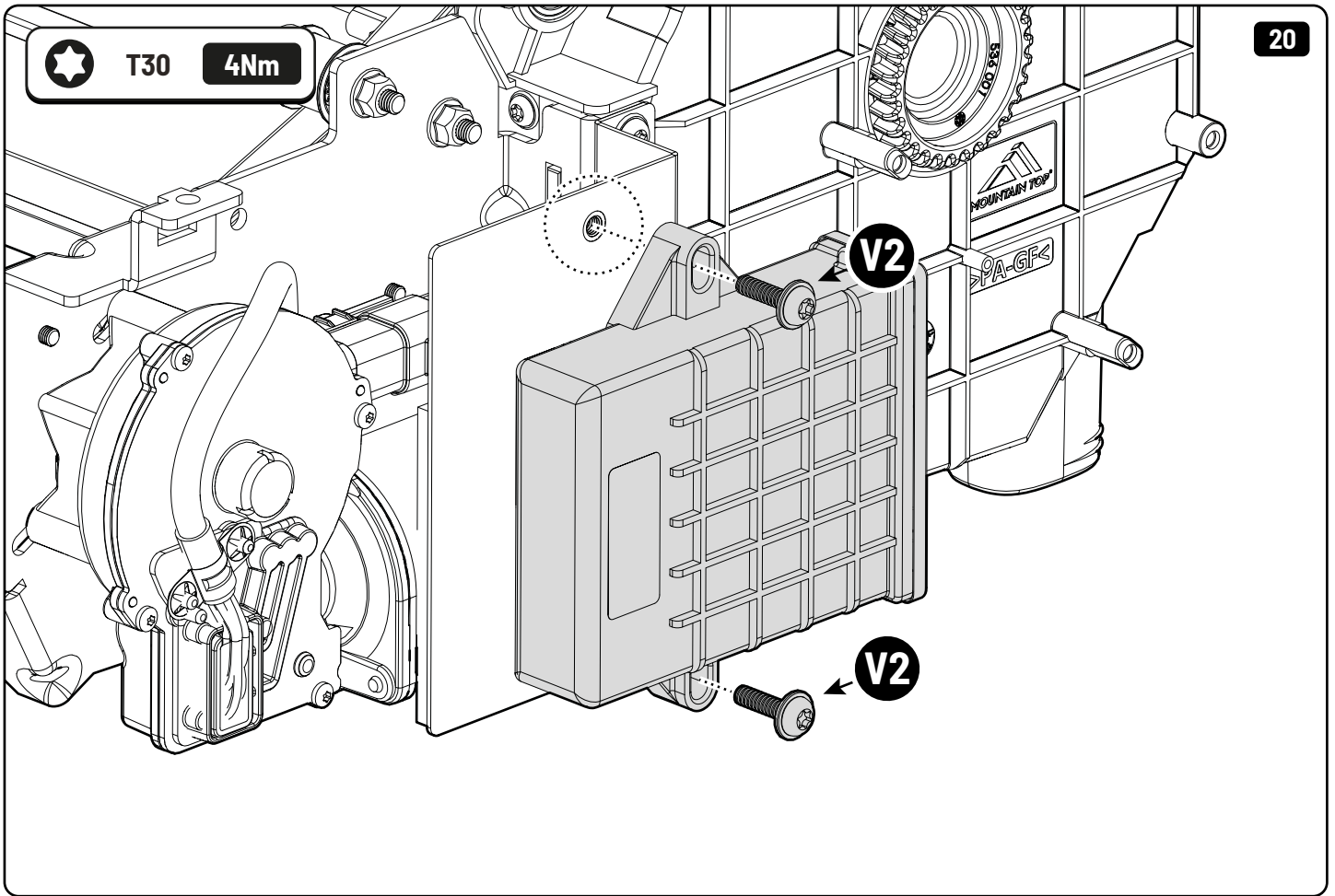
B
↓

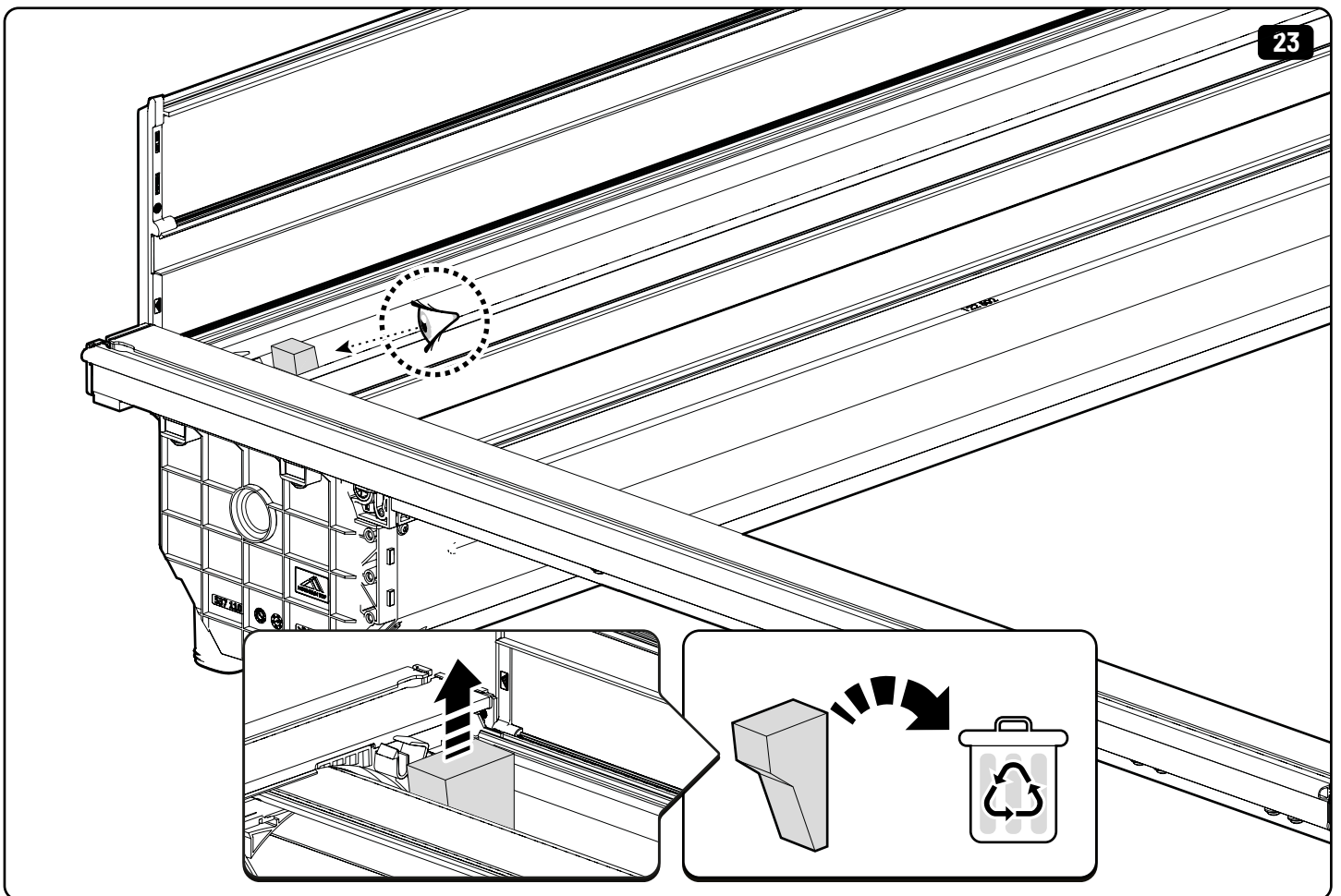
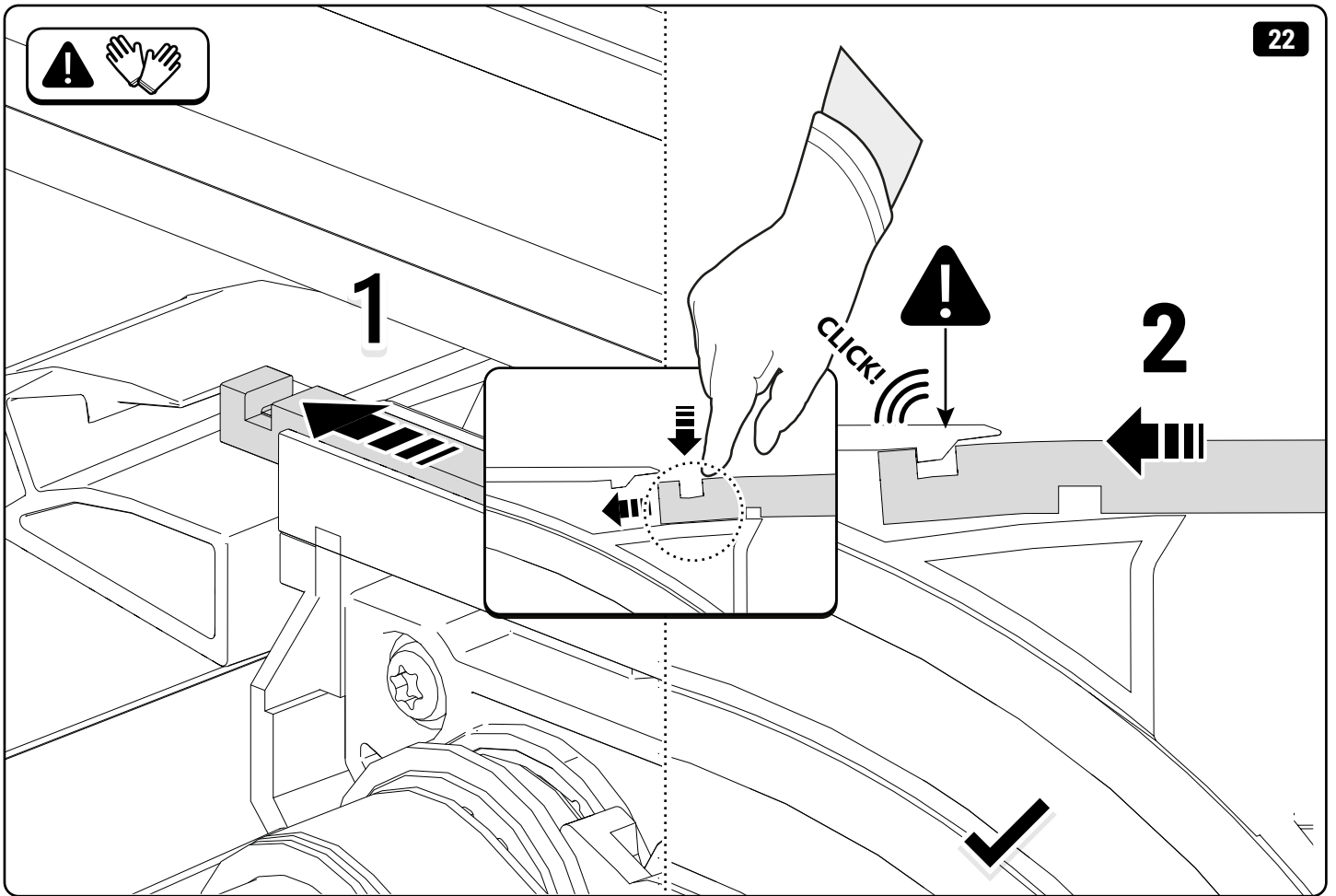


LOCTITE 243

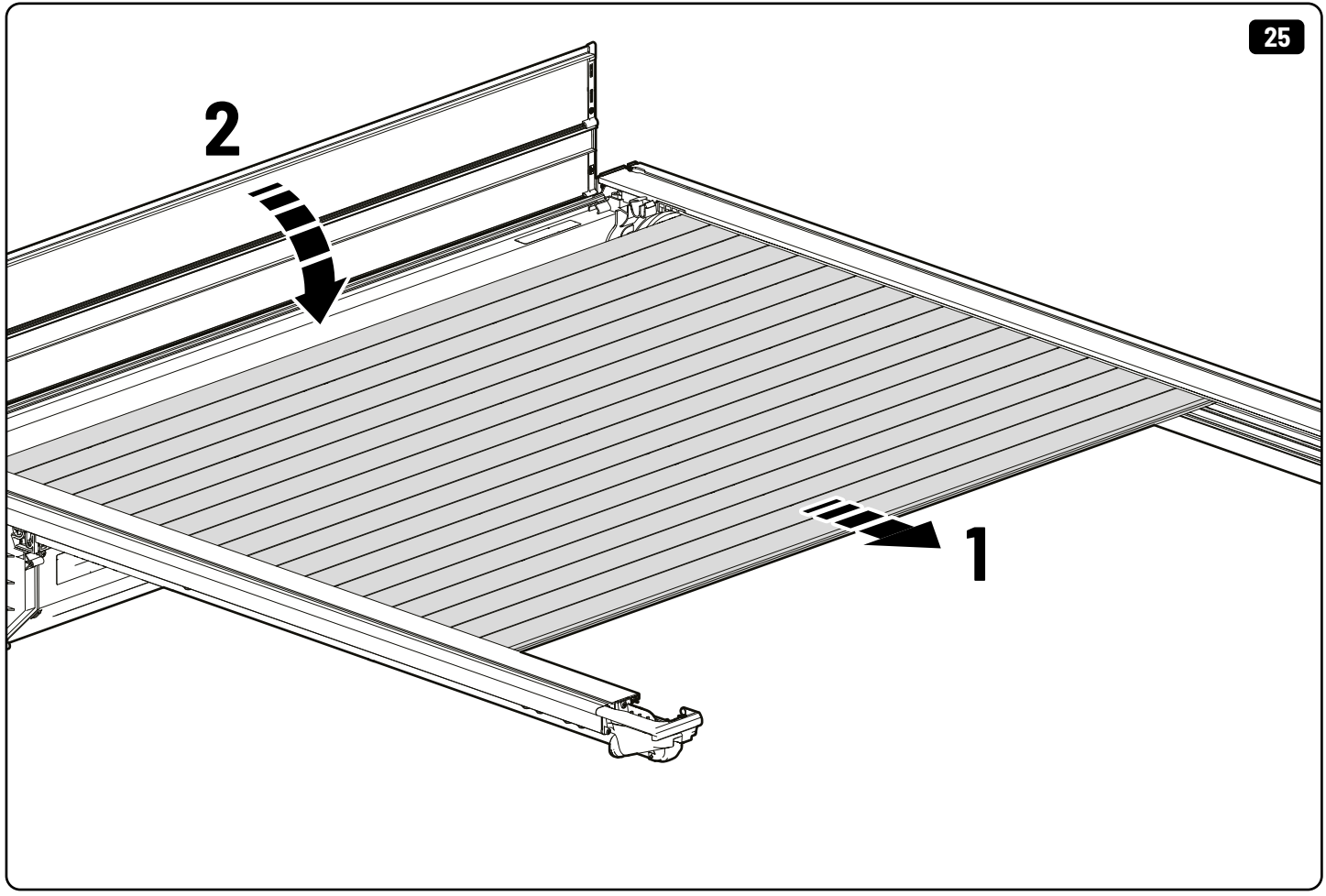
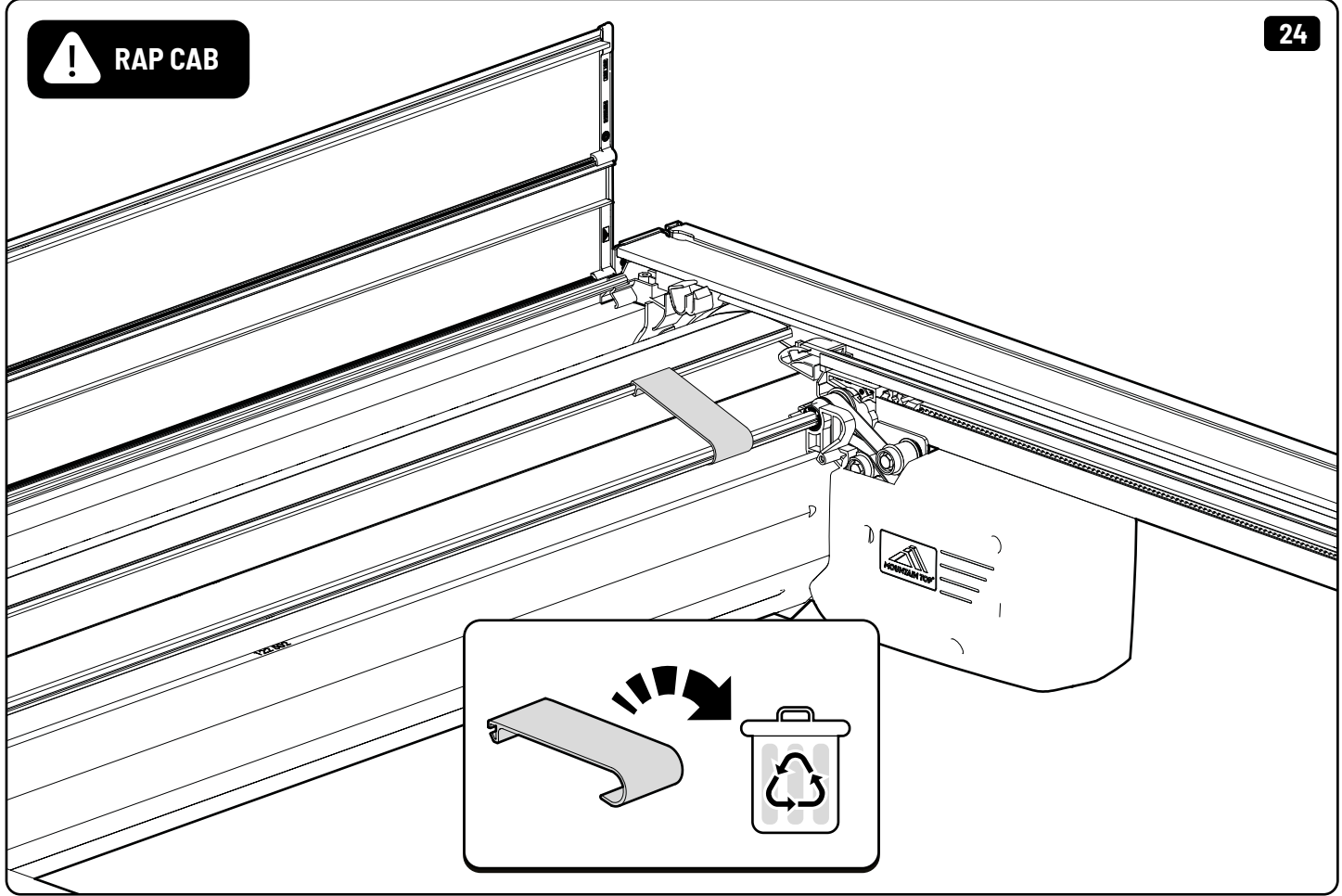


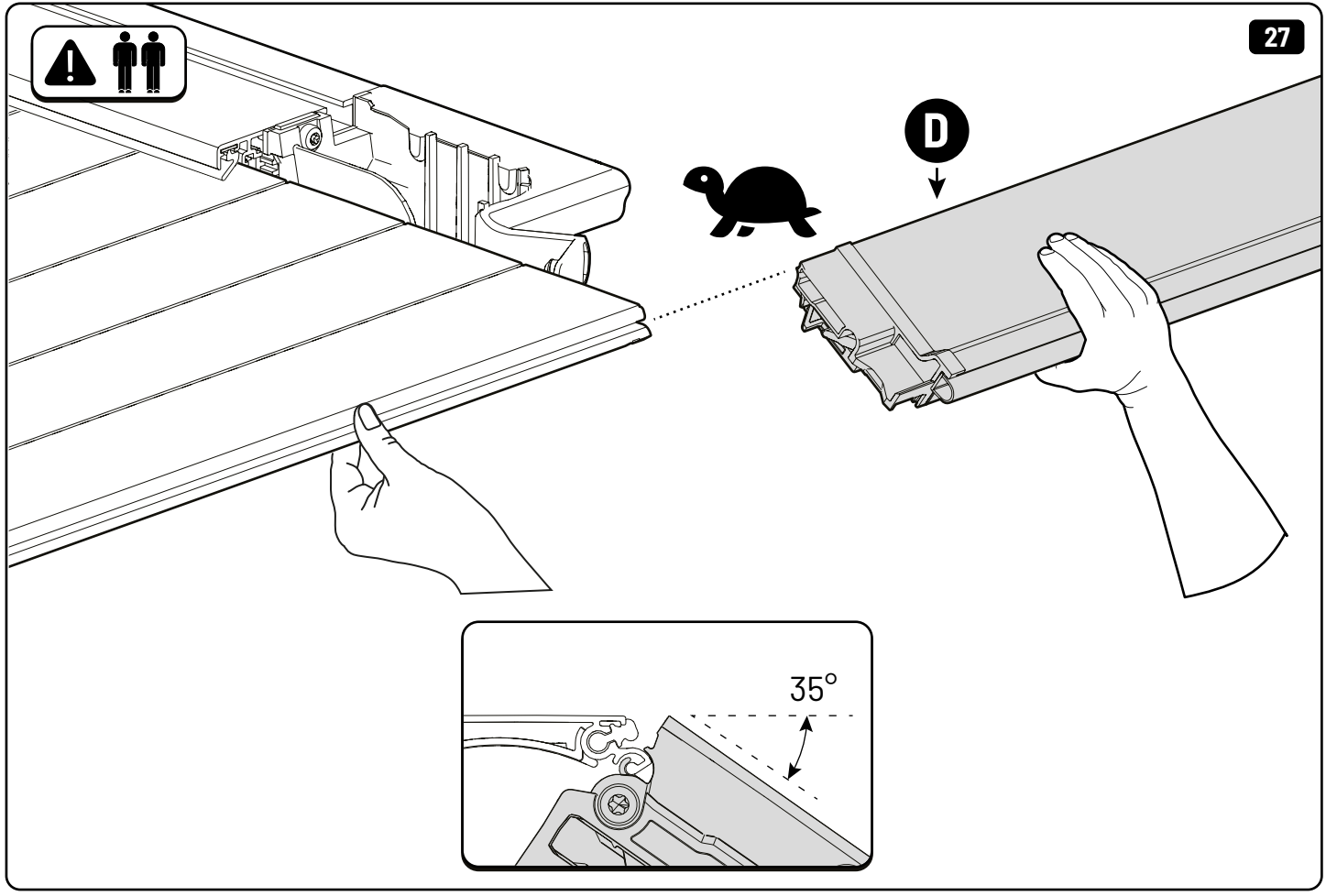
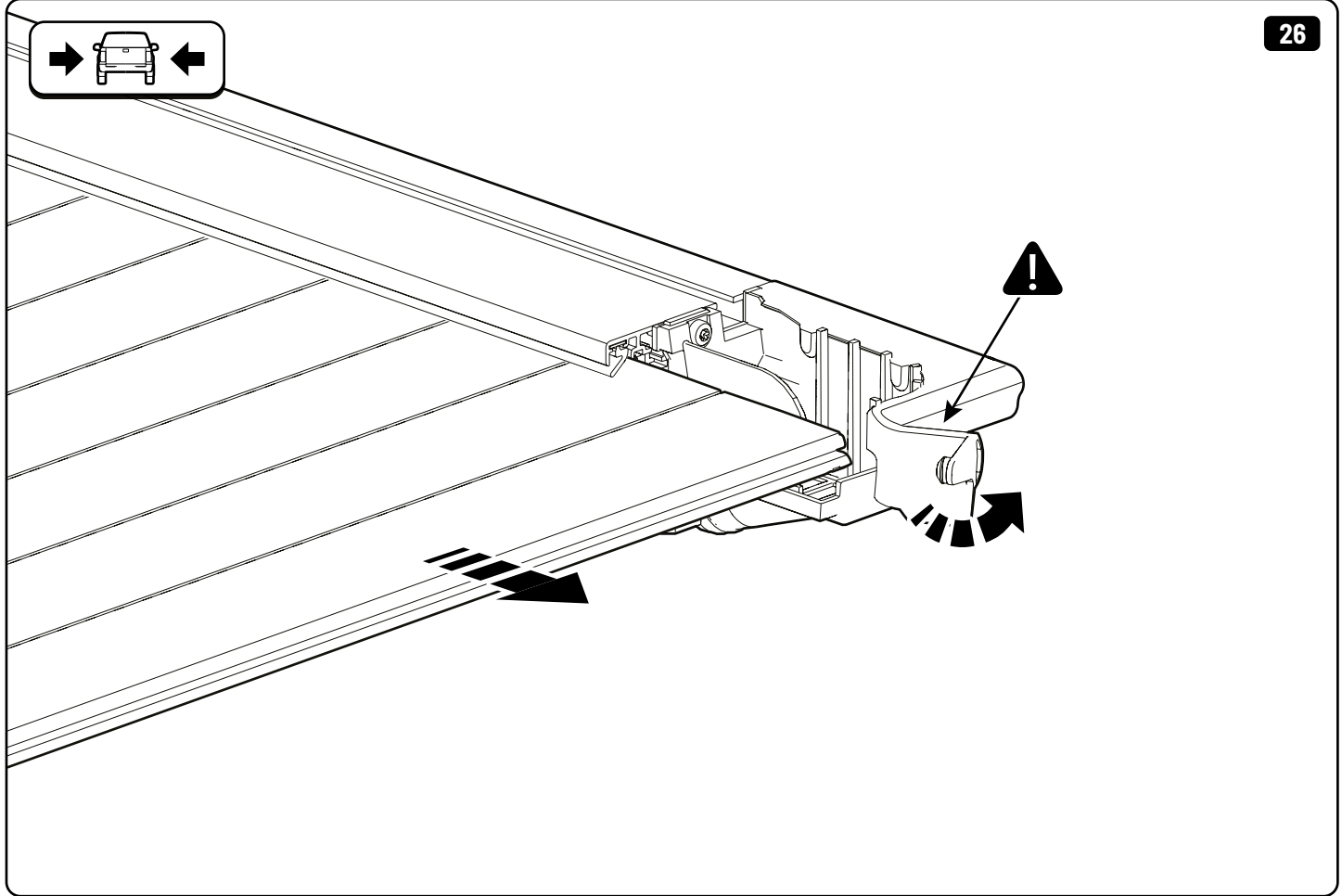
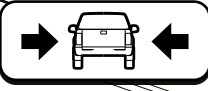


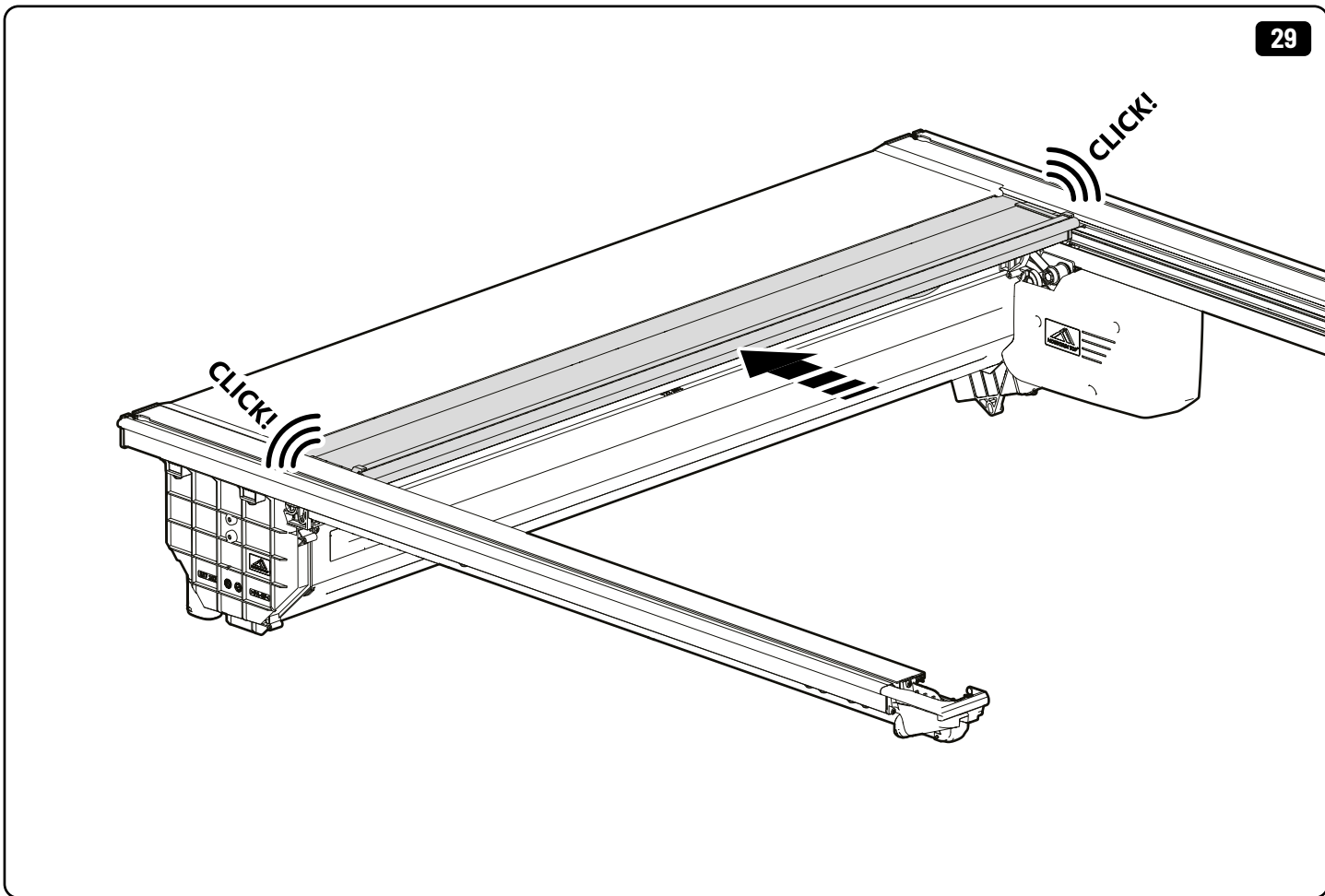
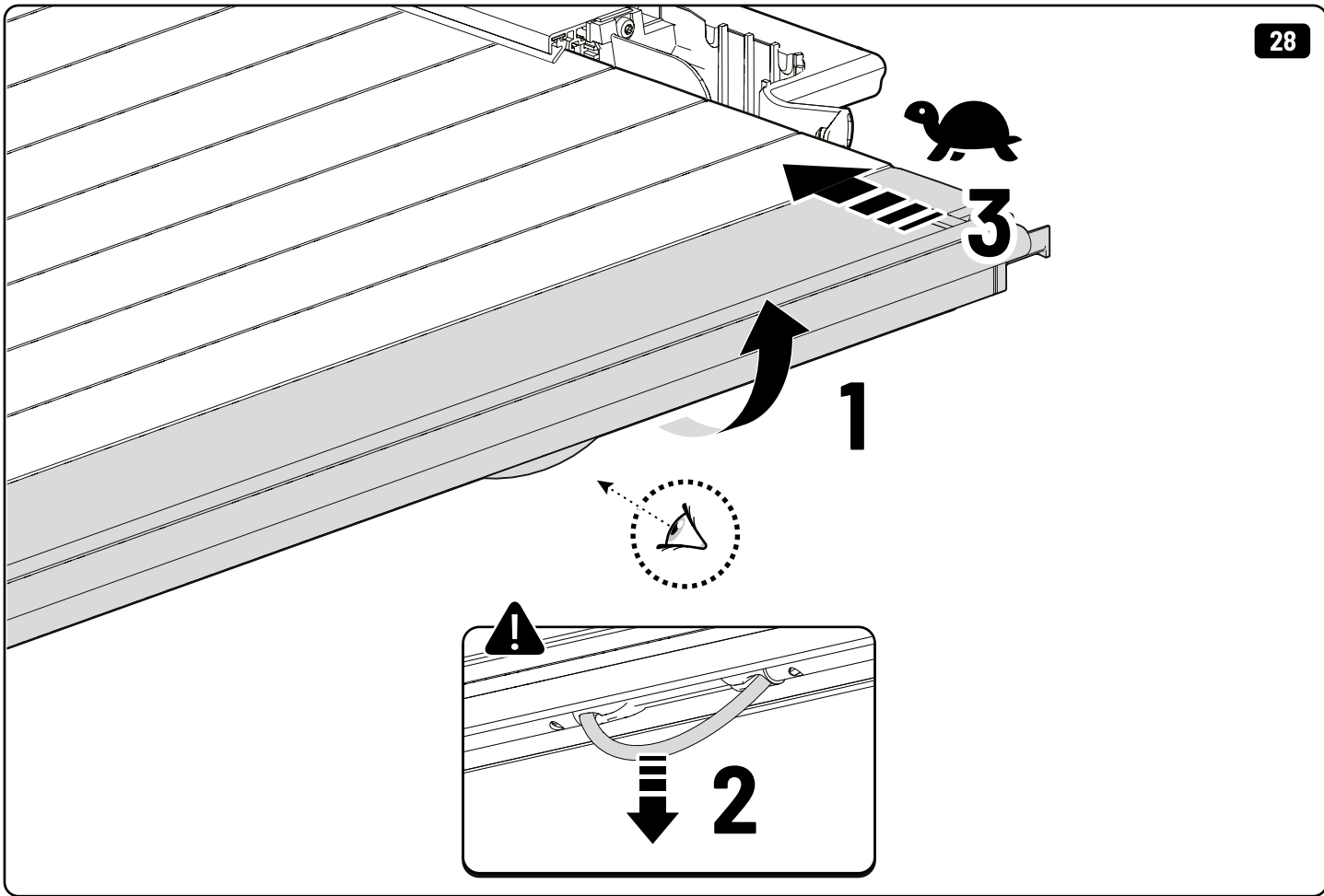


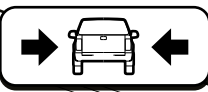
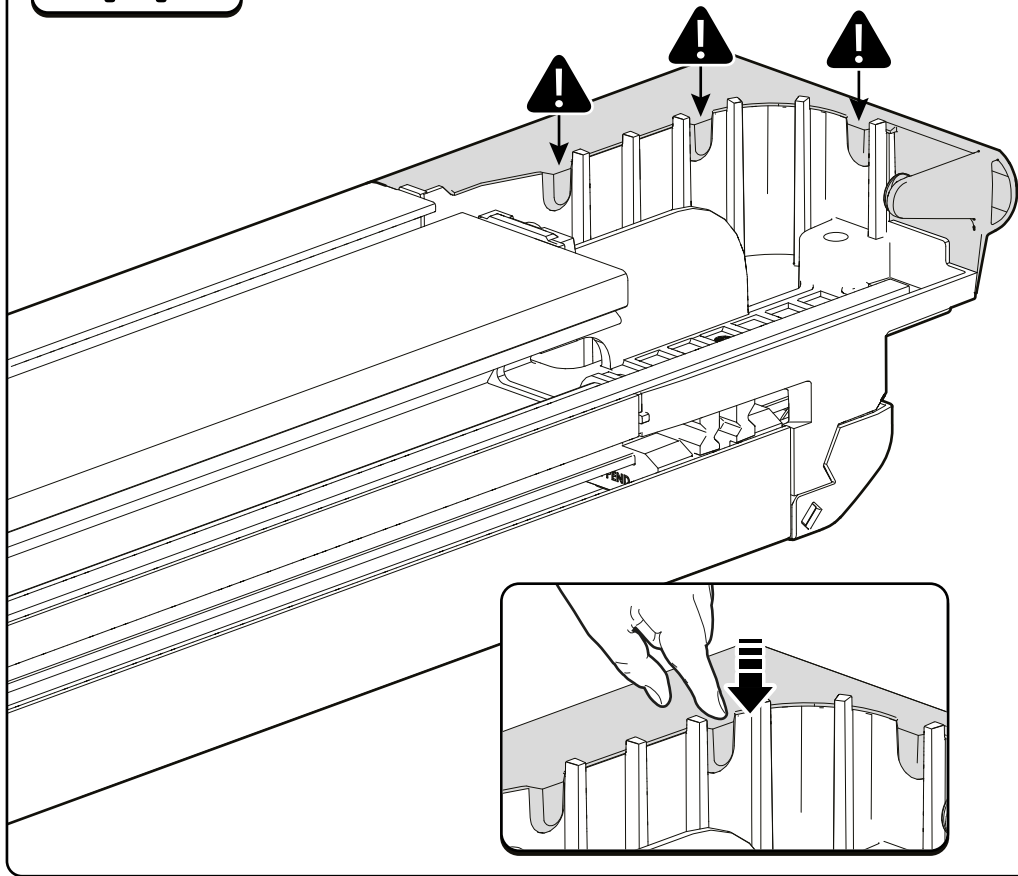
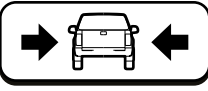


 **RAP CAB**

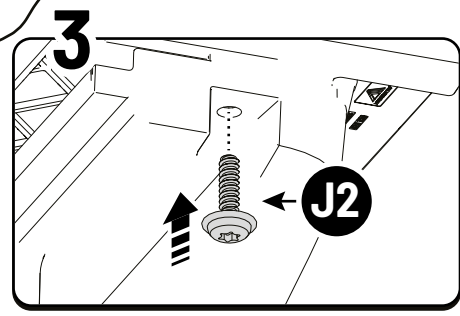
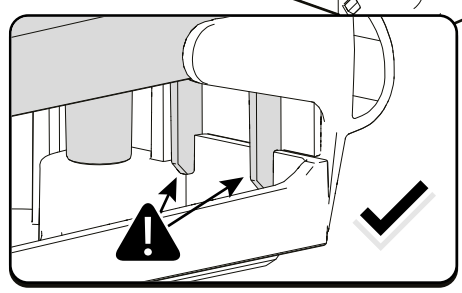
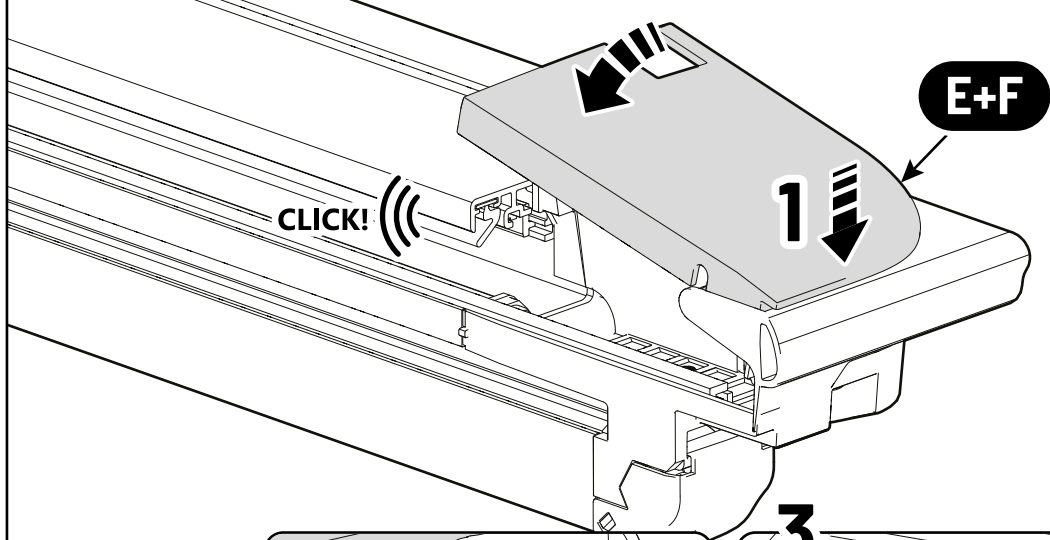


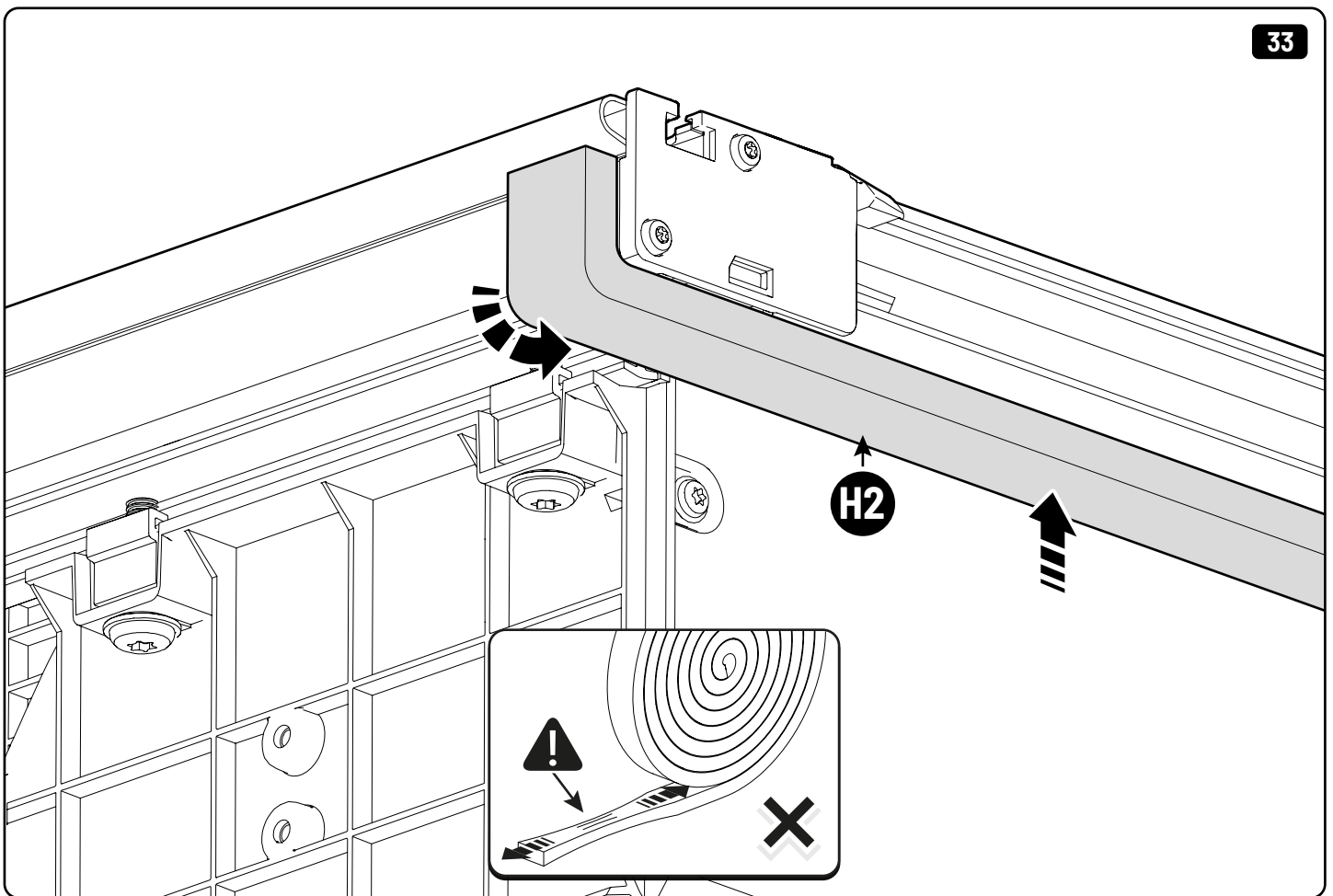
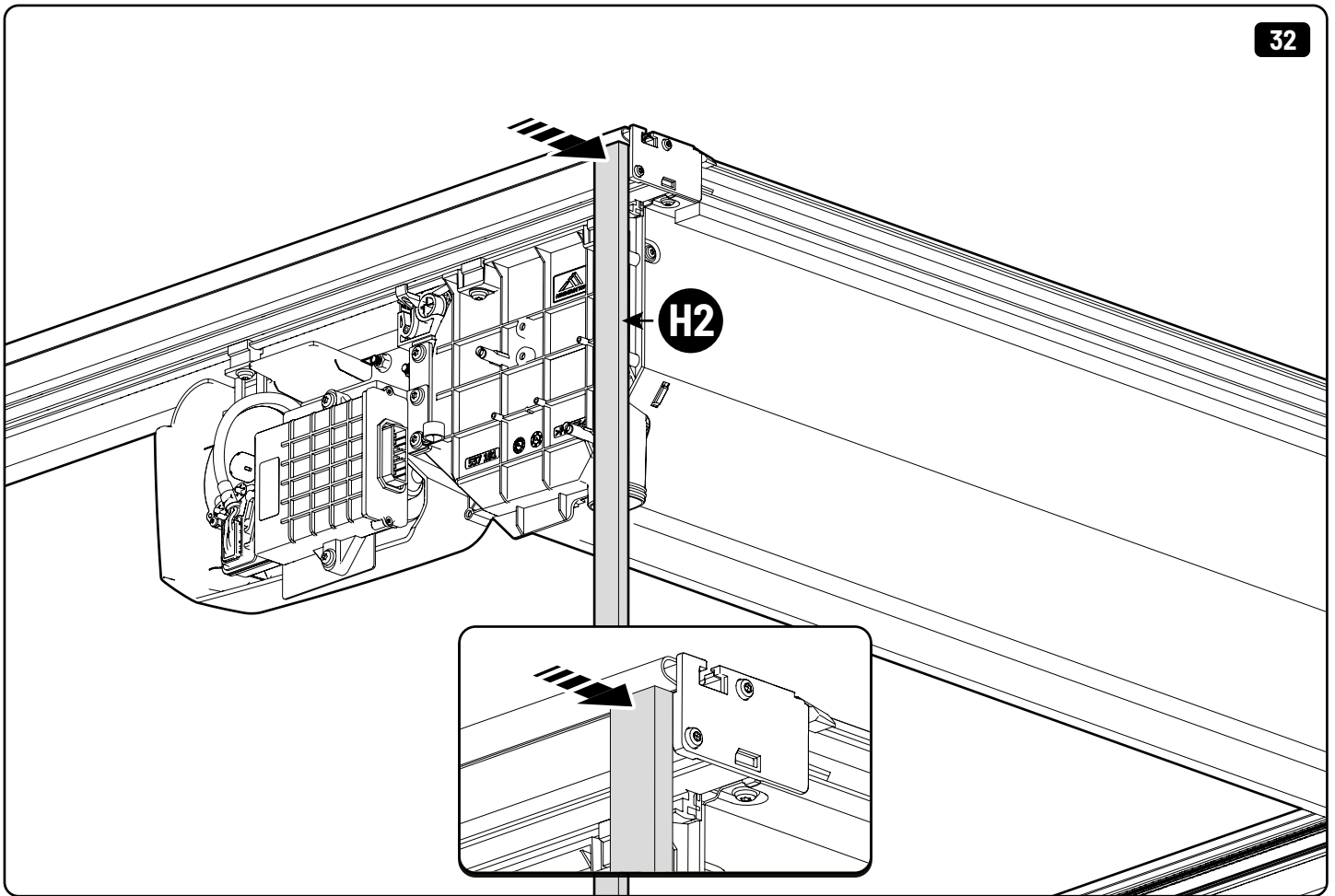






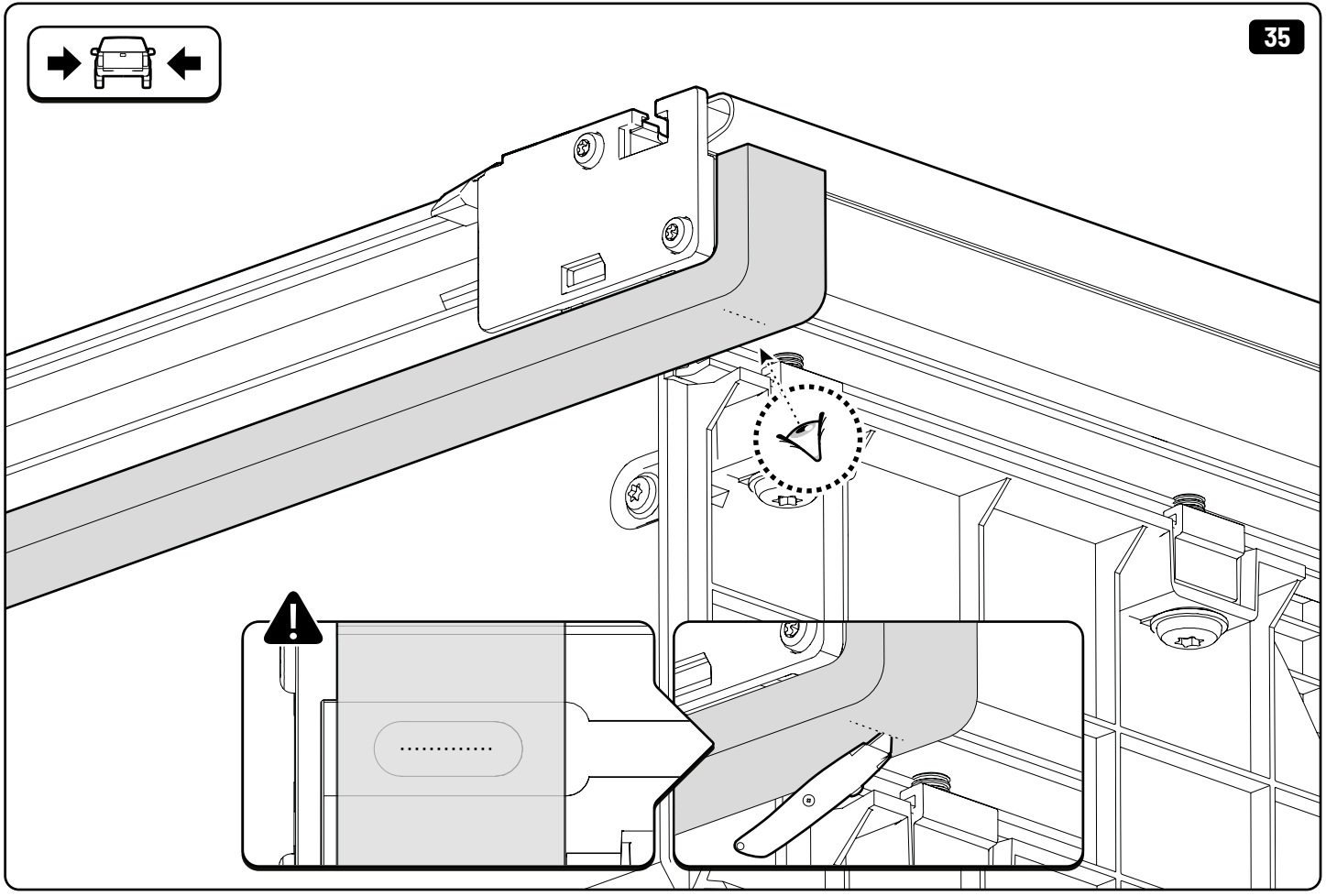
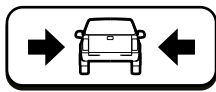
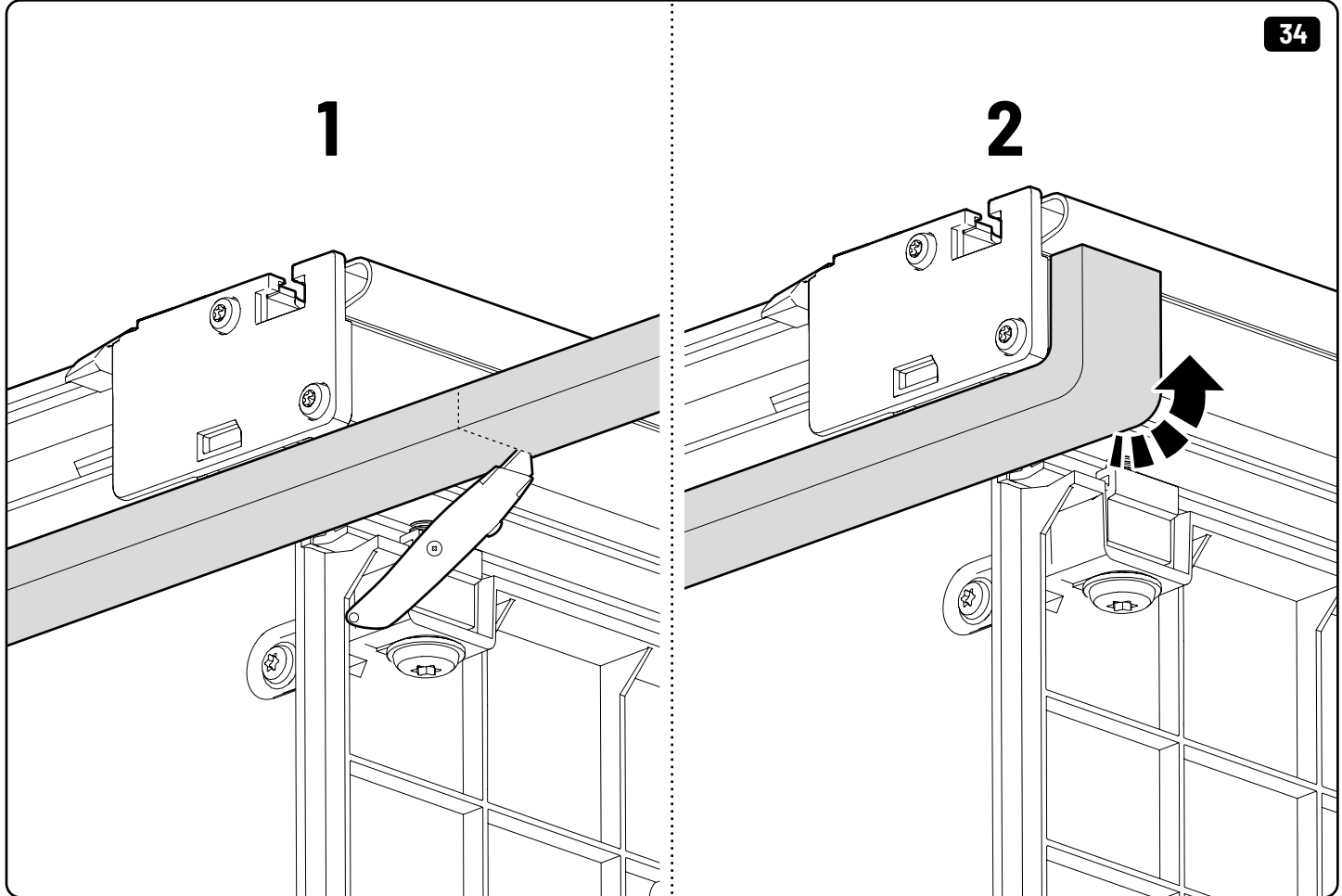
T20 2,4Nm

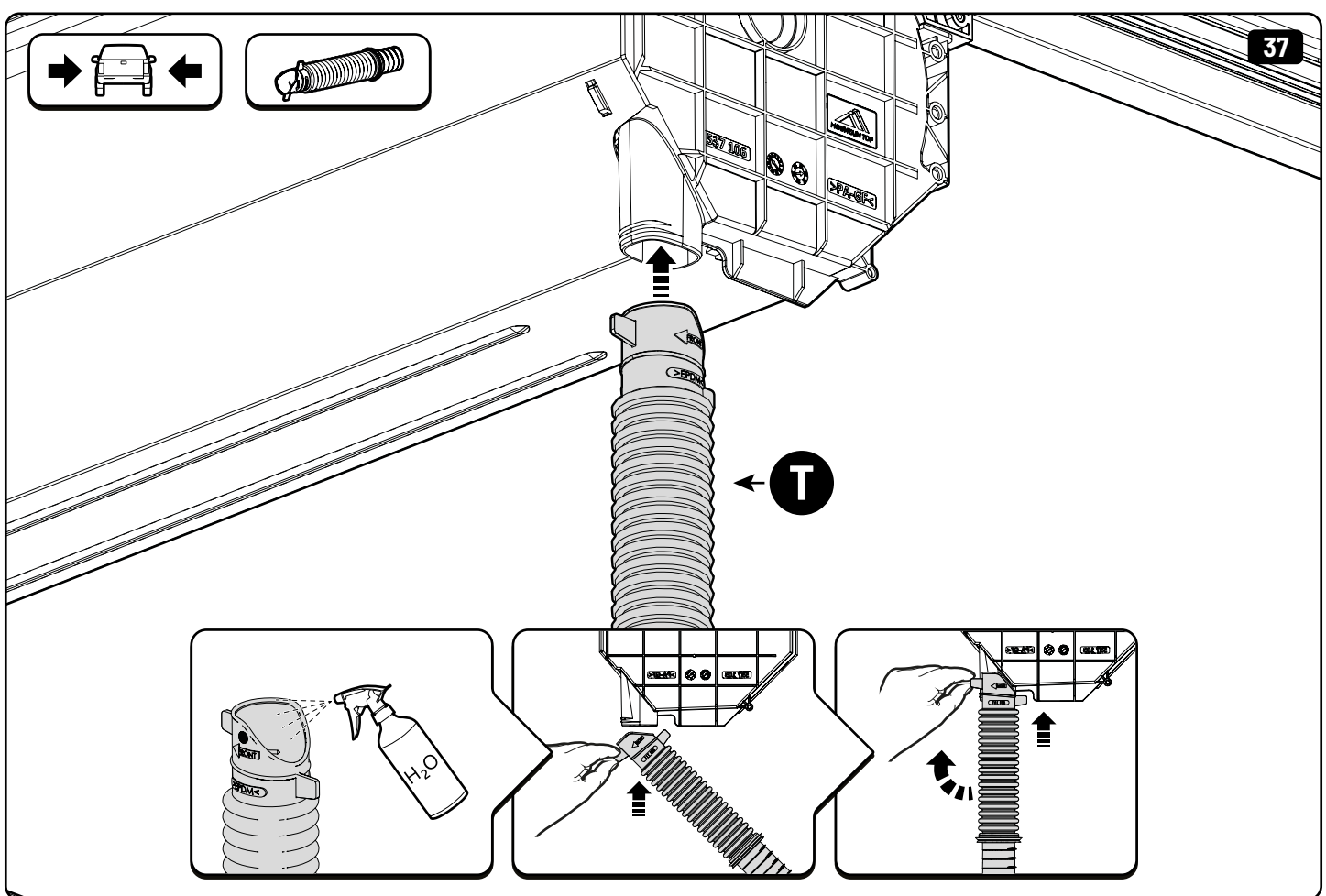
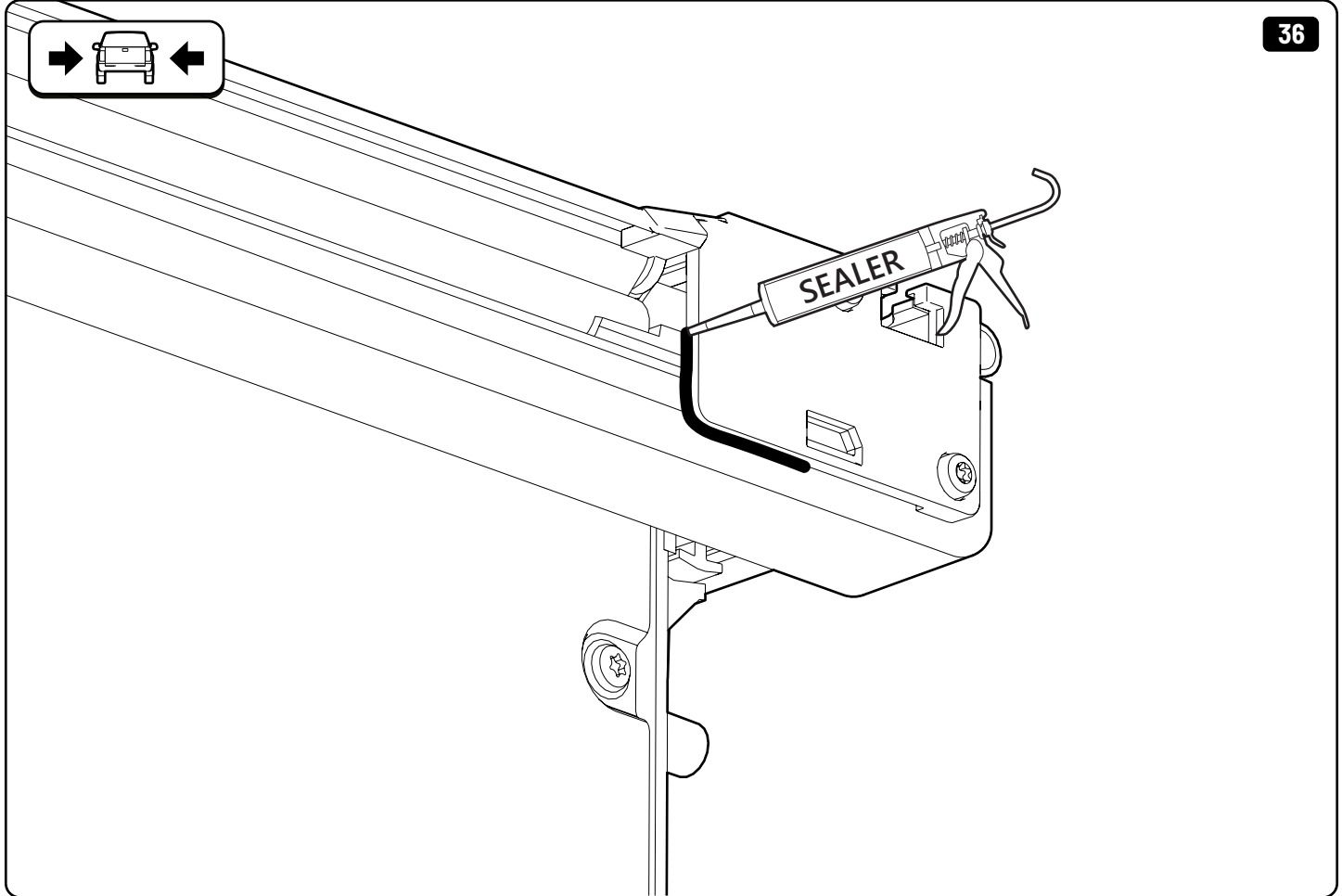


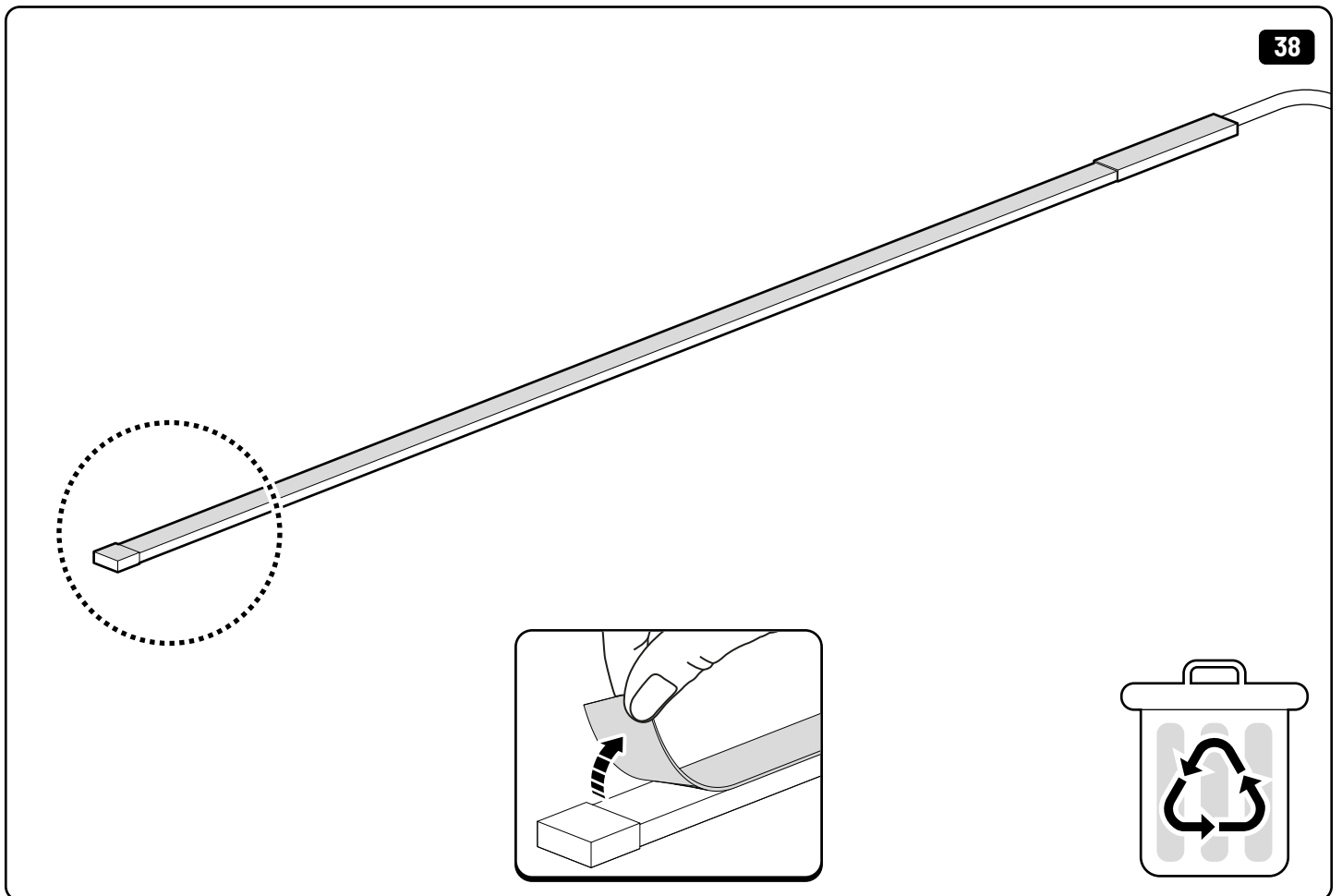
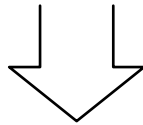
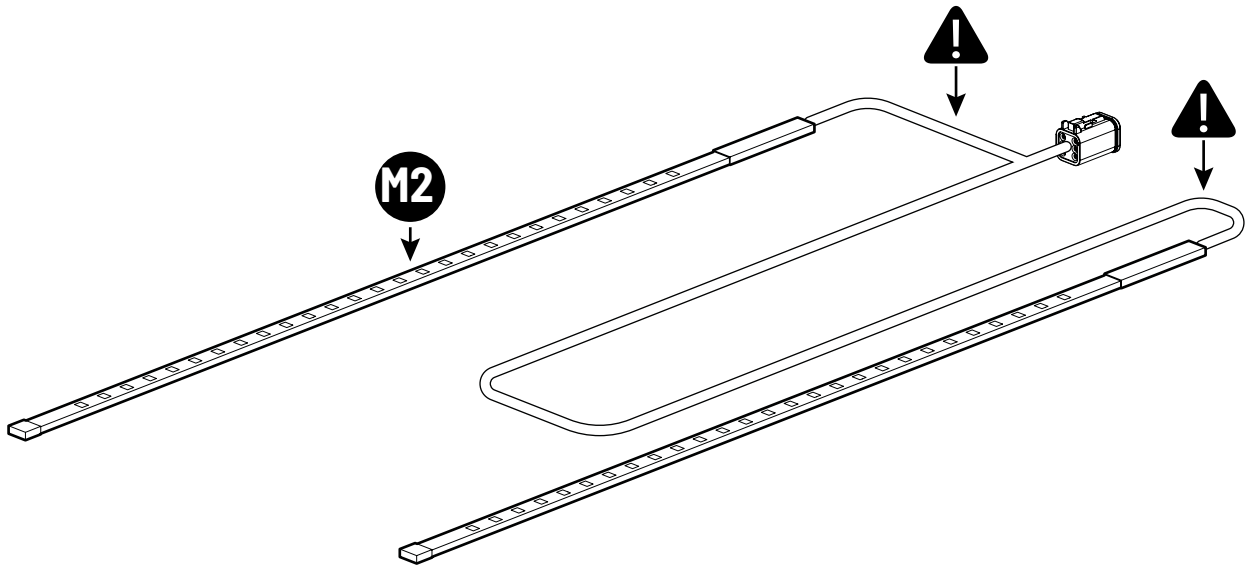


1

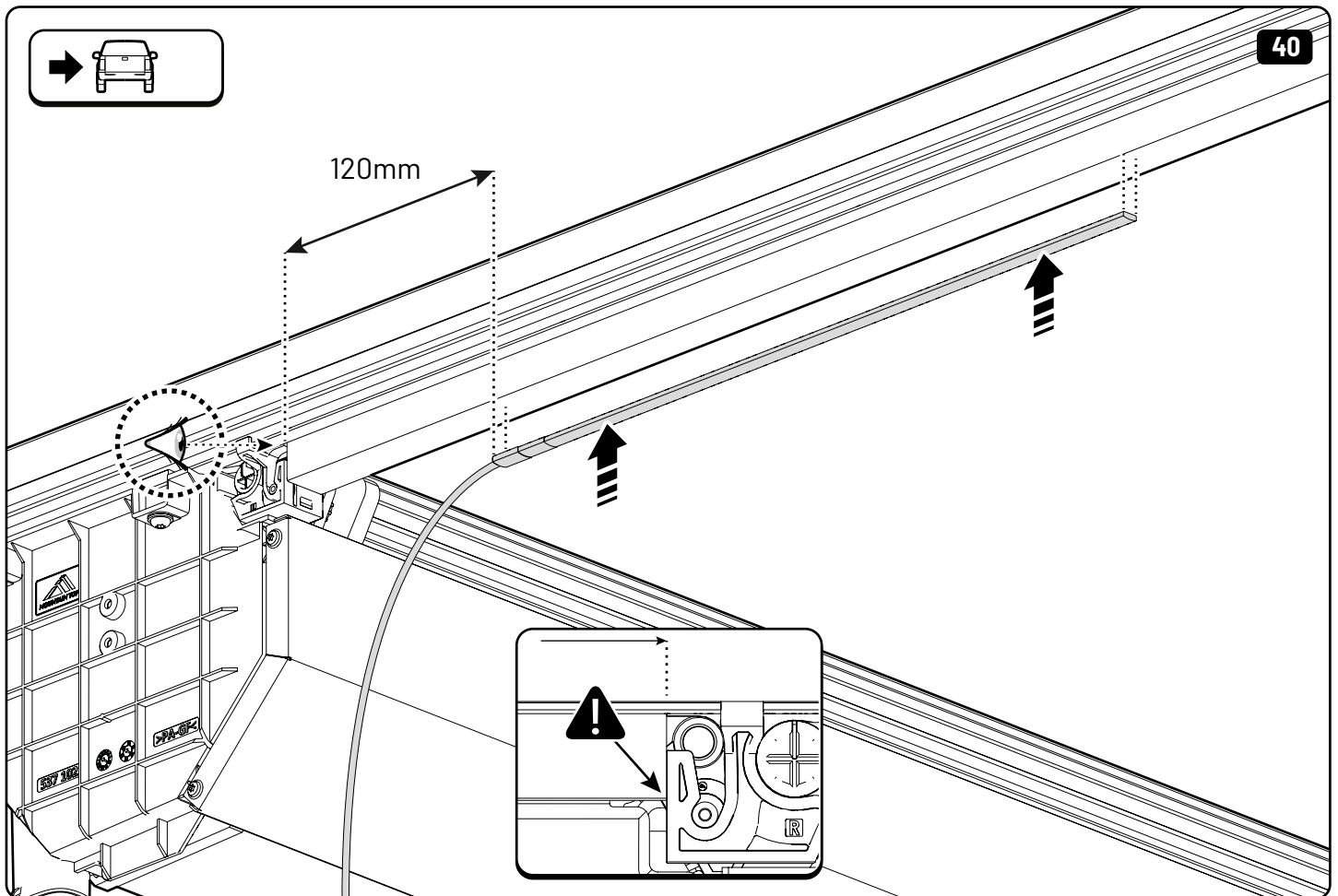
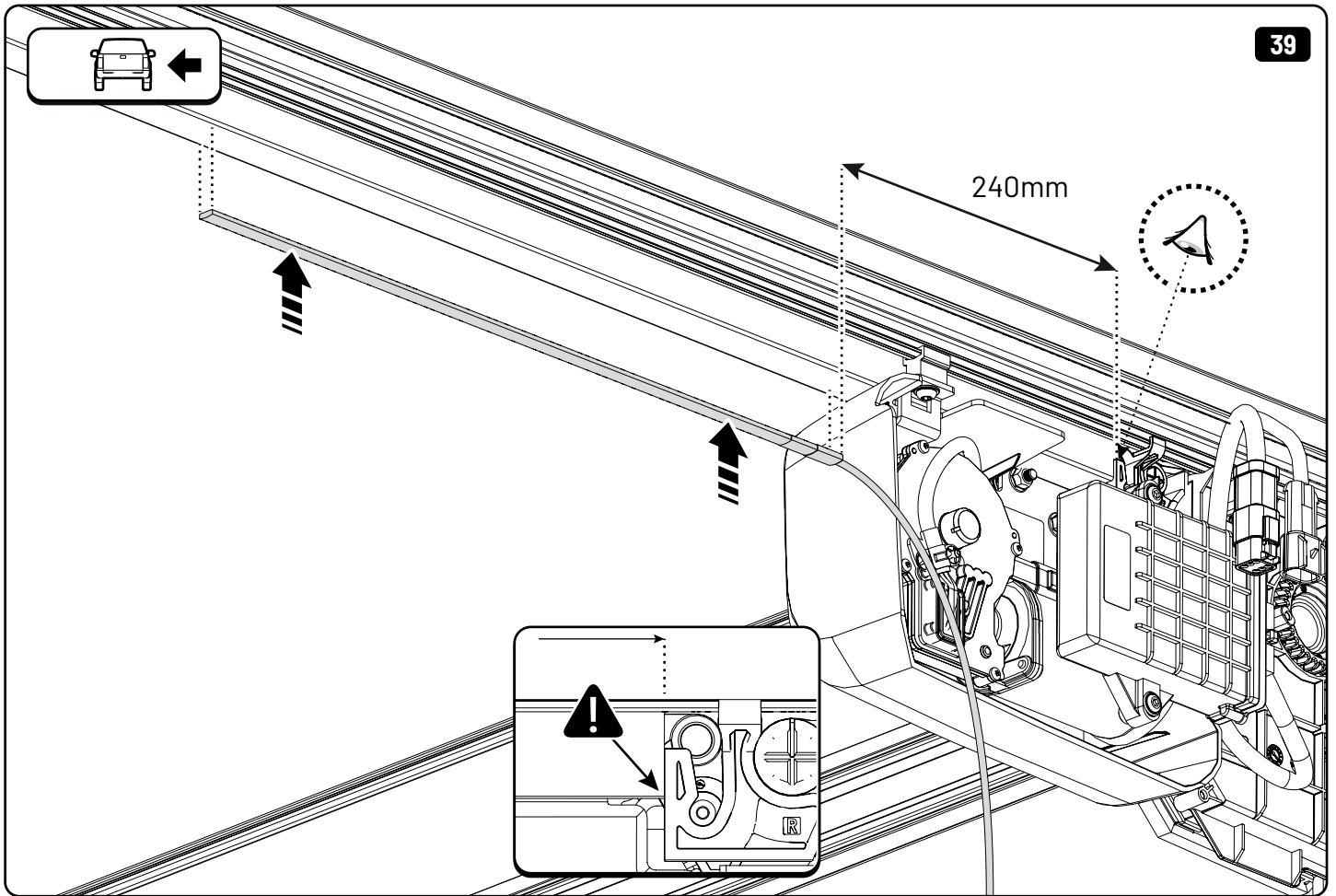
2

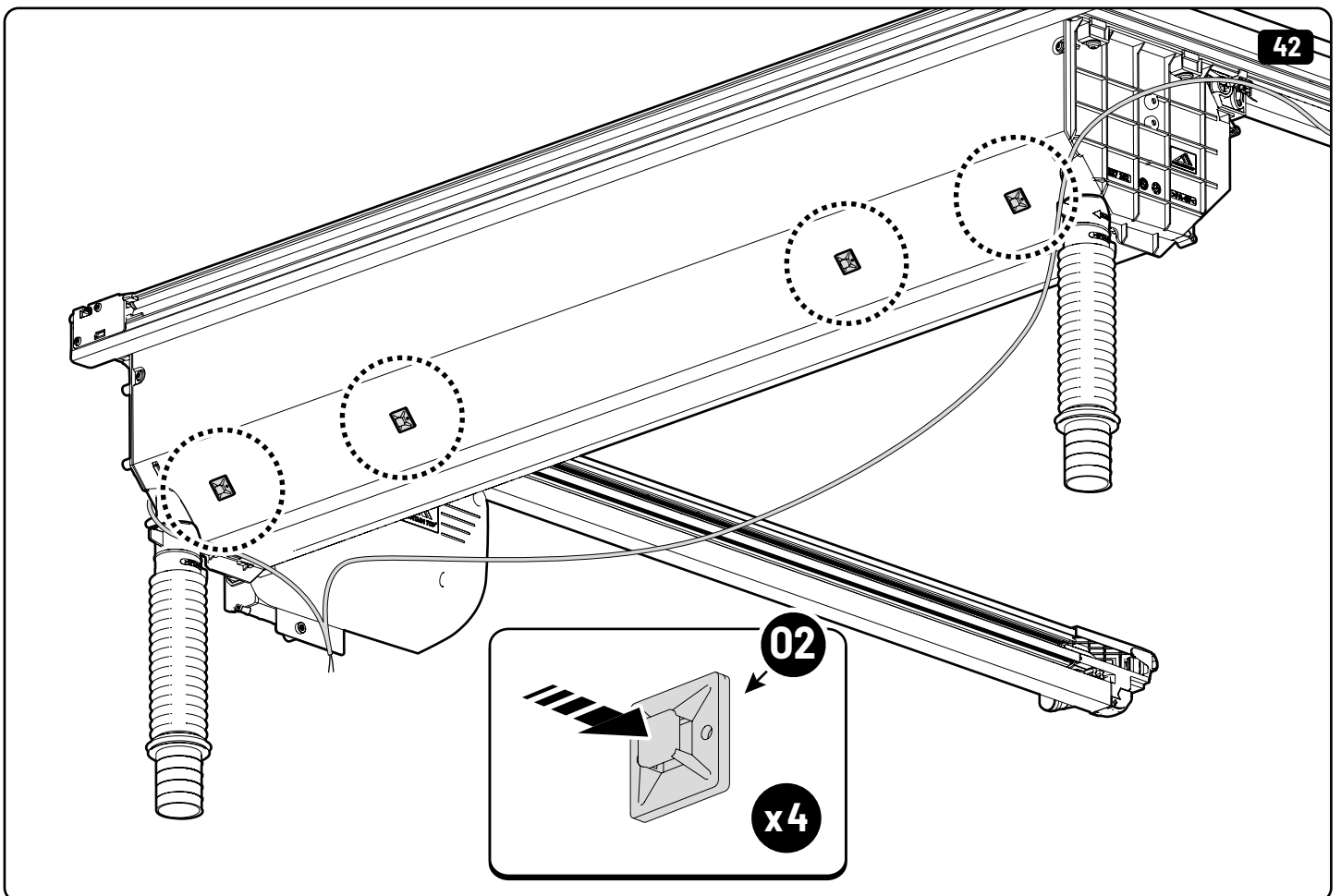
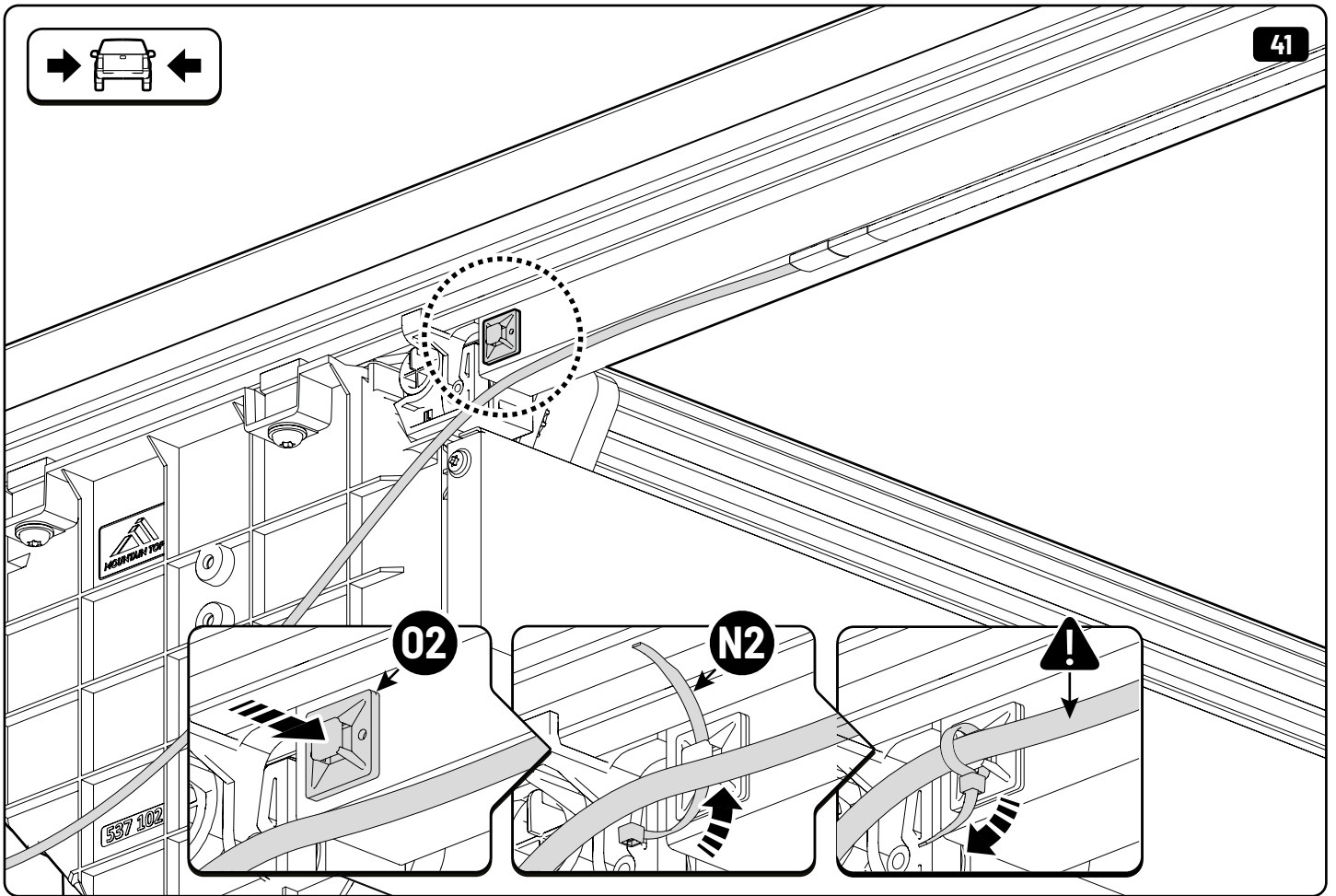


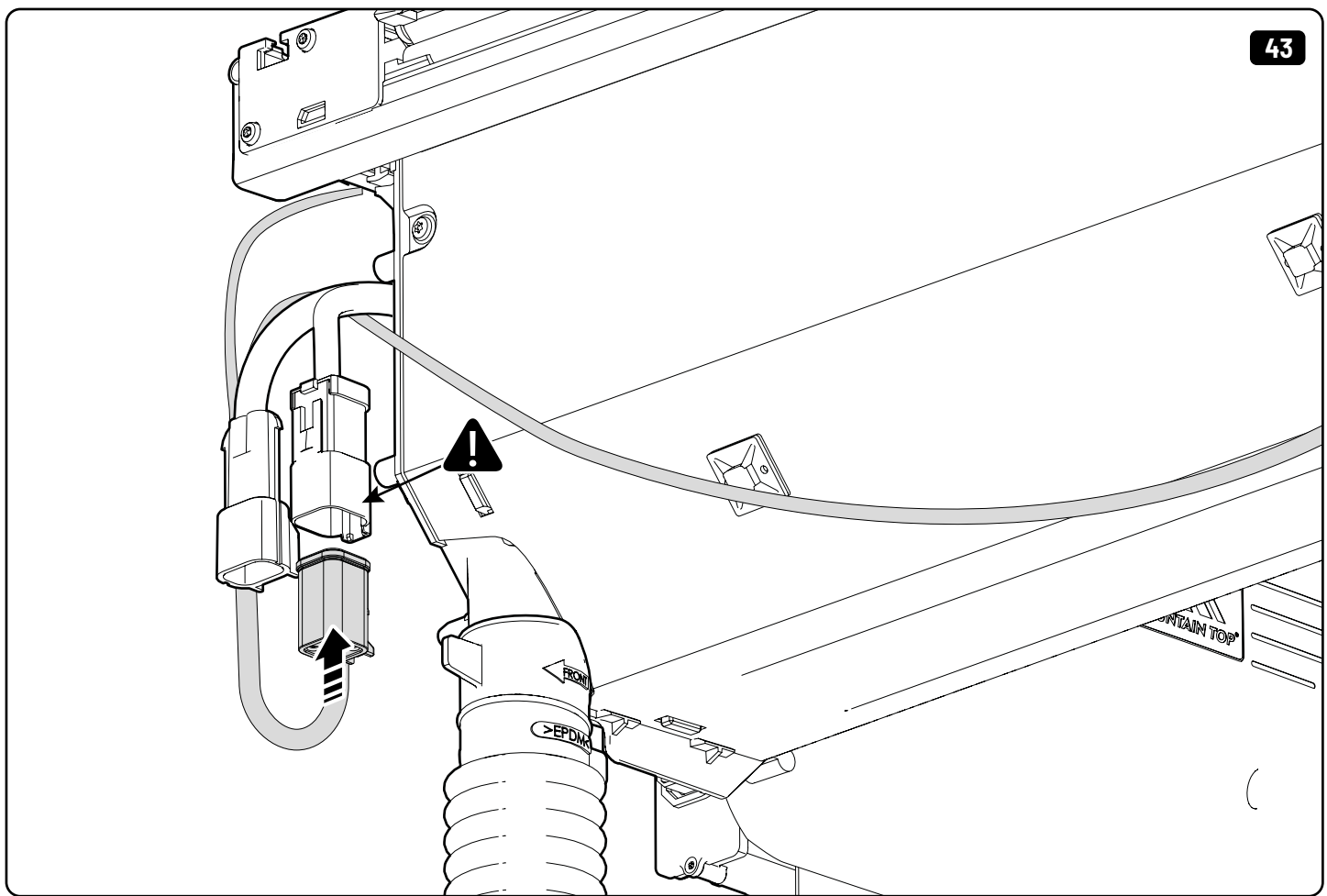


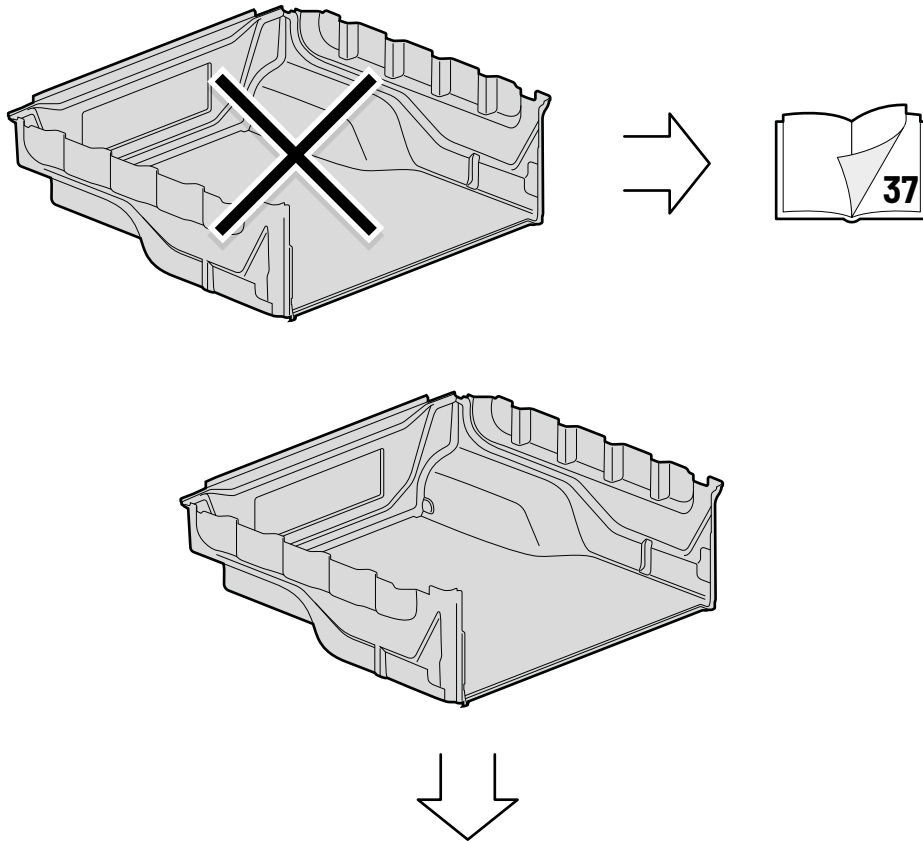


38



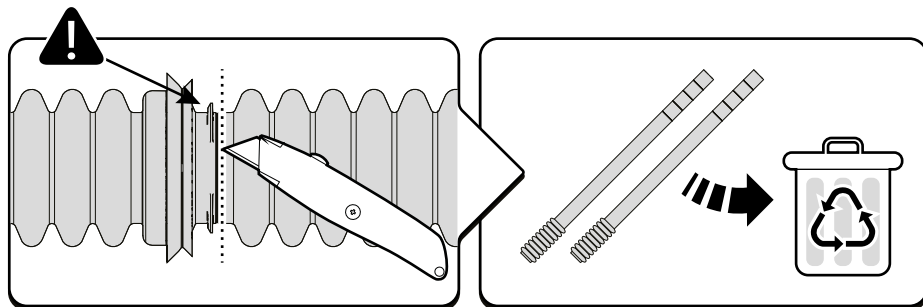
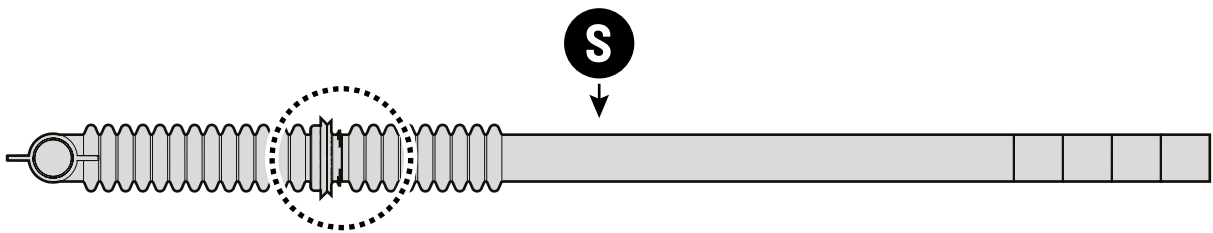




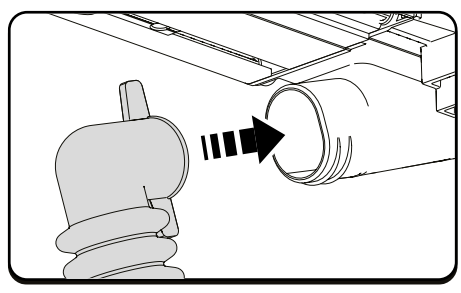
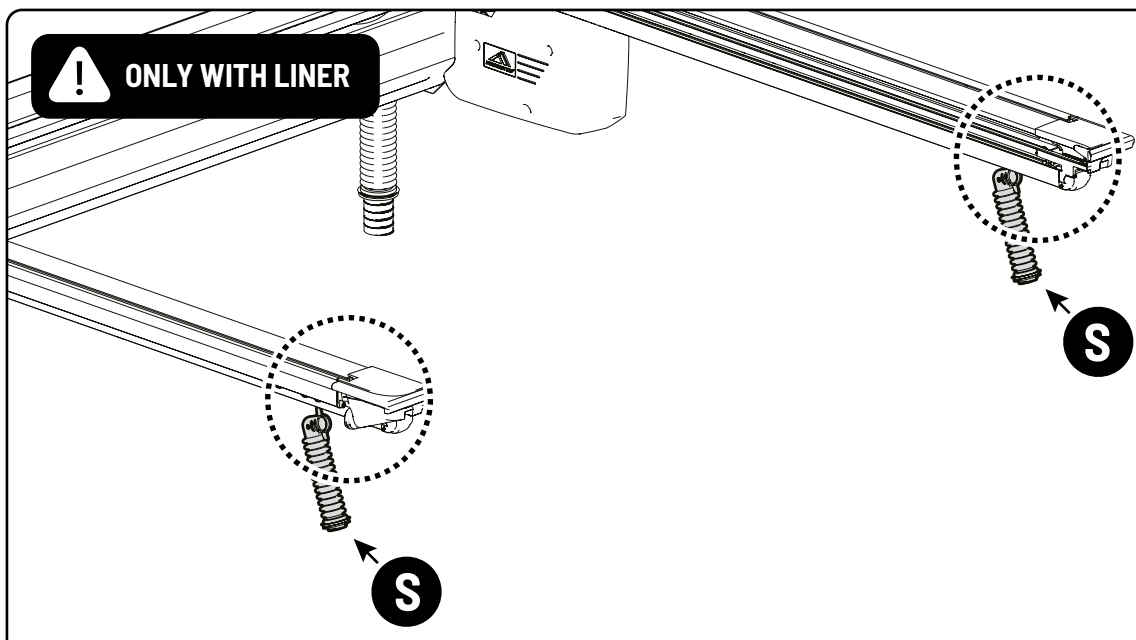


! ONLY WITH LINER

44



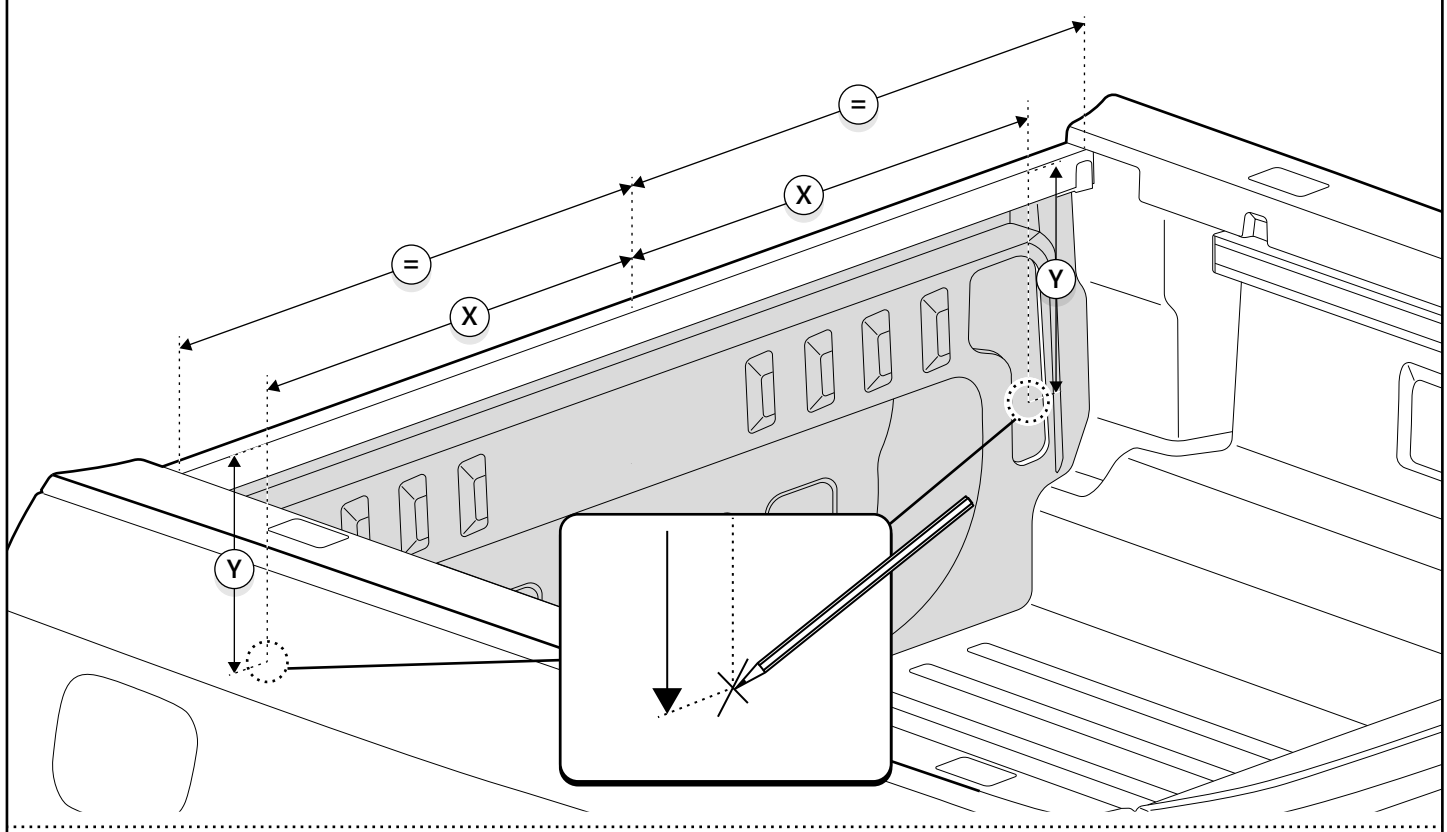
! ONLY WITH LINER



! ONLY WITH LINER

! EUROPEAN MODEL

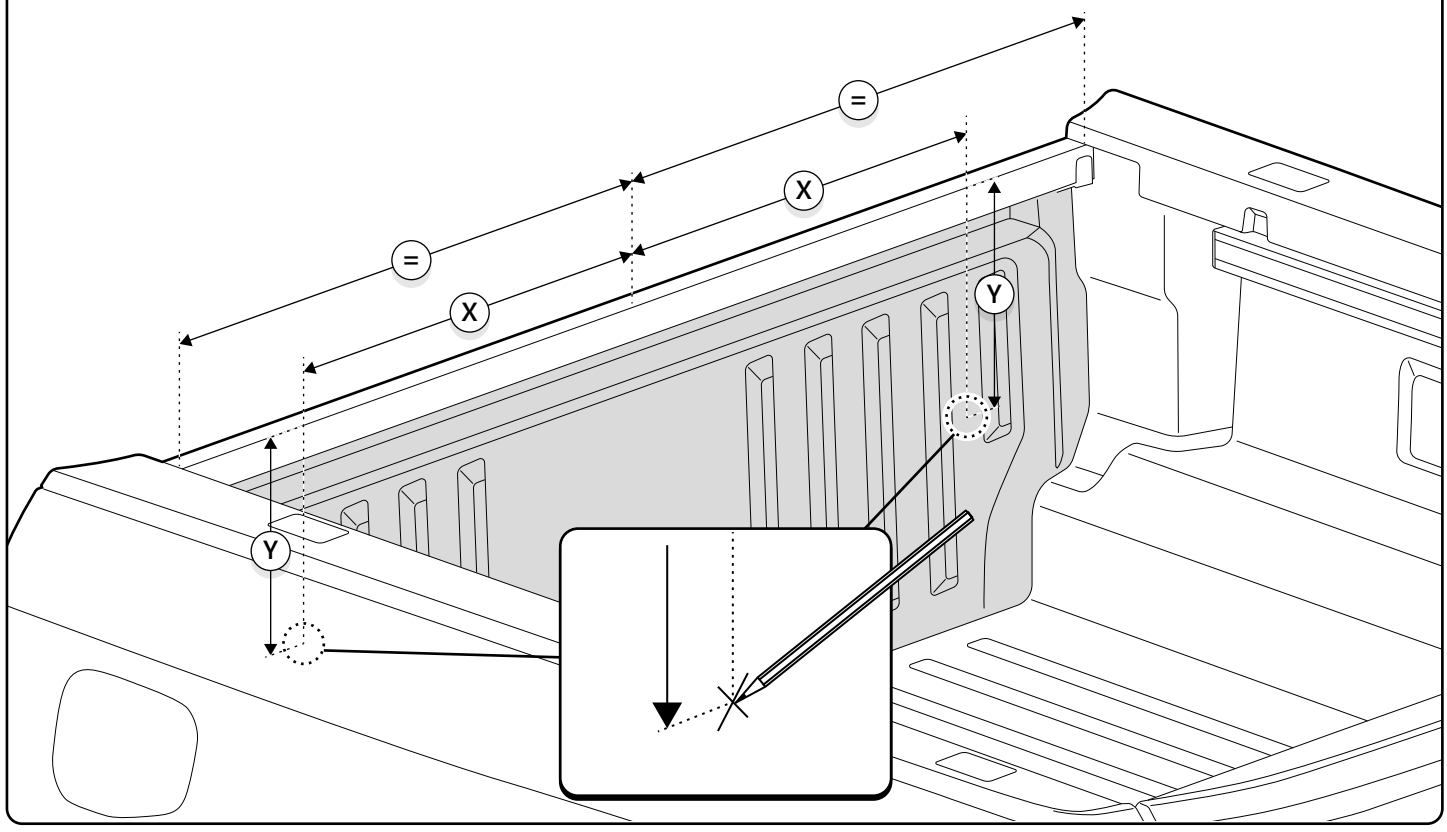
X: 650 mm Y: 290 mm



! ONLY WITH LINER

! OTHER MODELS

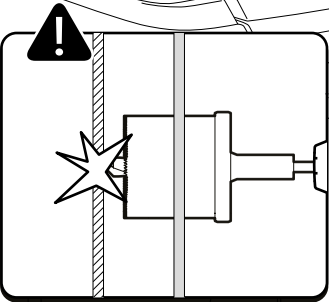
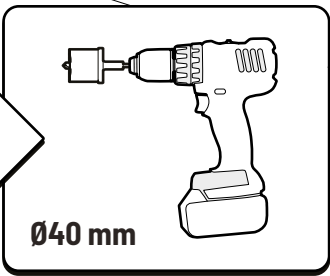
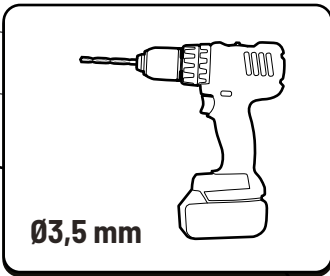
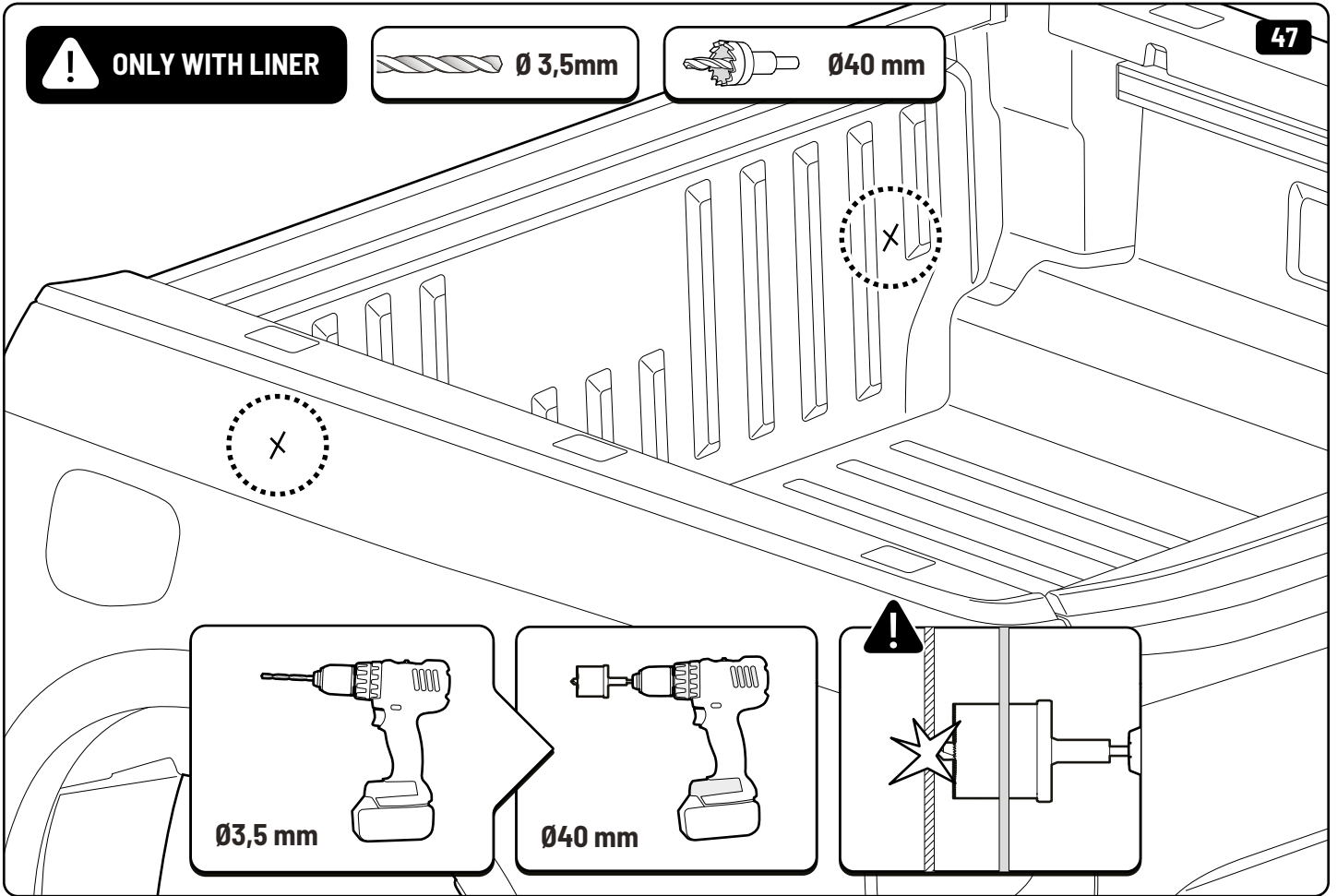
X: 560 mm Y: 330 mm



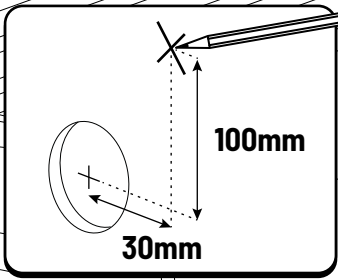
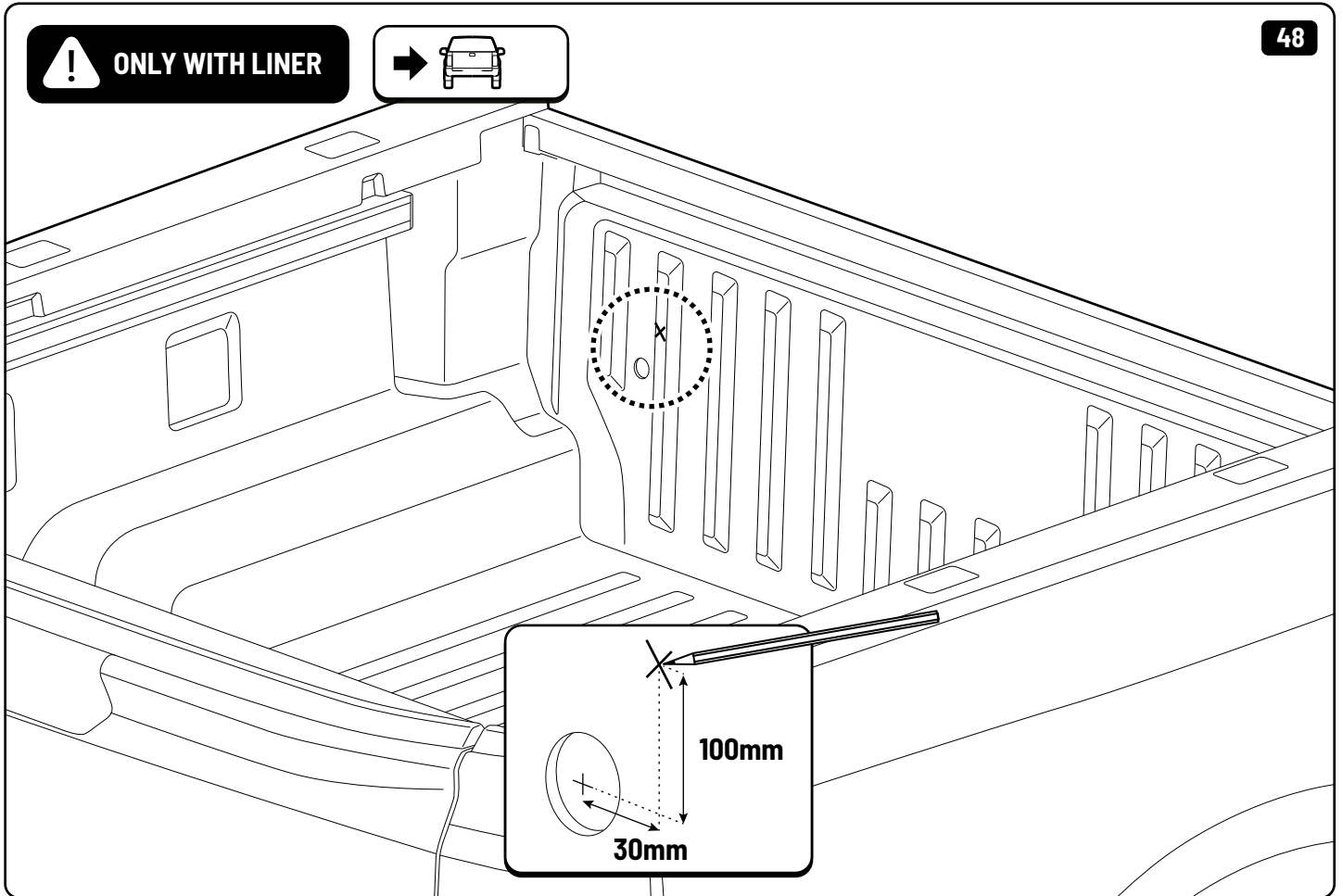
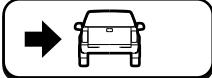
! ONLY WITH LINER

 **Ø 3,5mm**

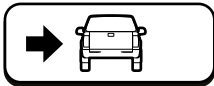
 **Ø40 mm**



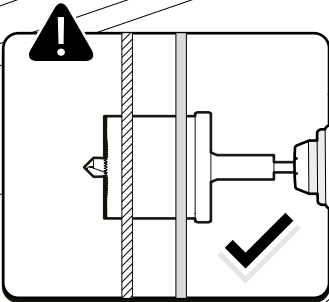
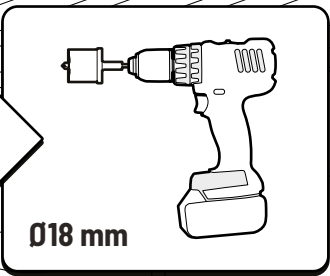
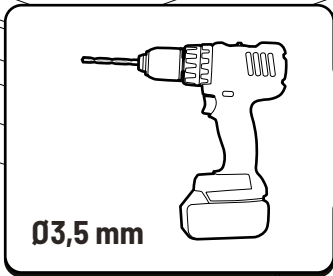
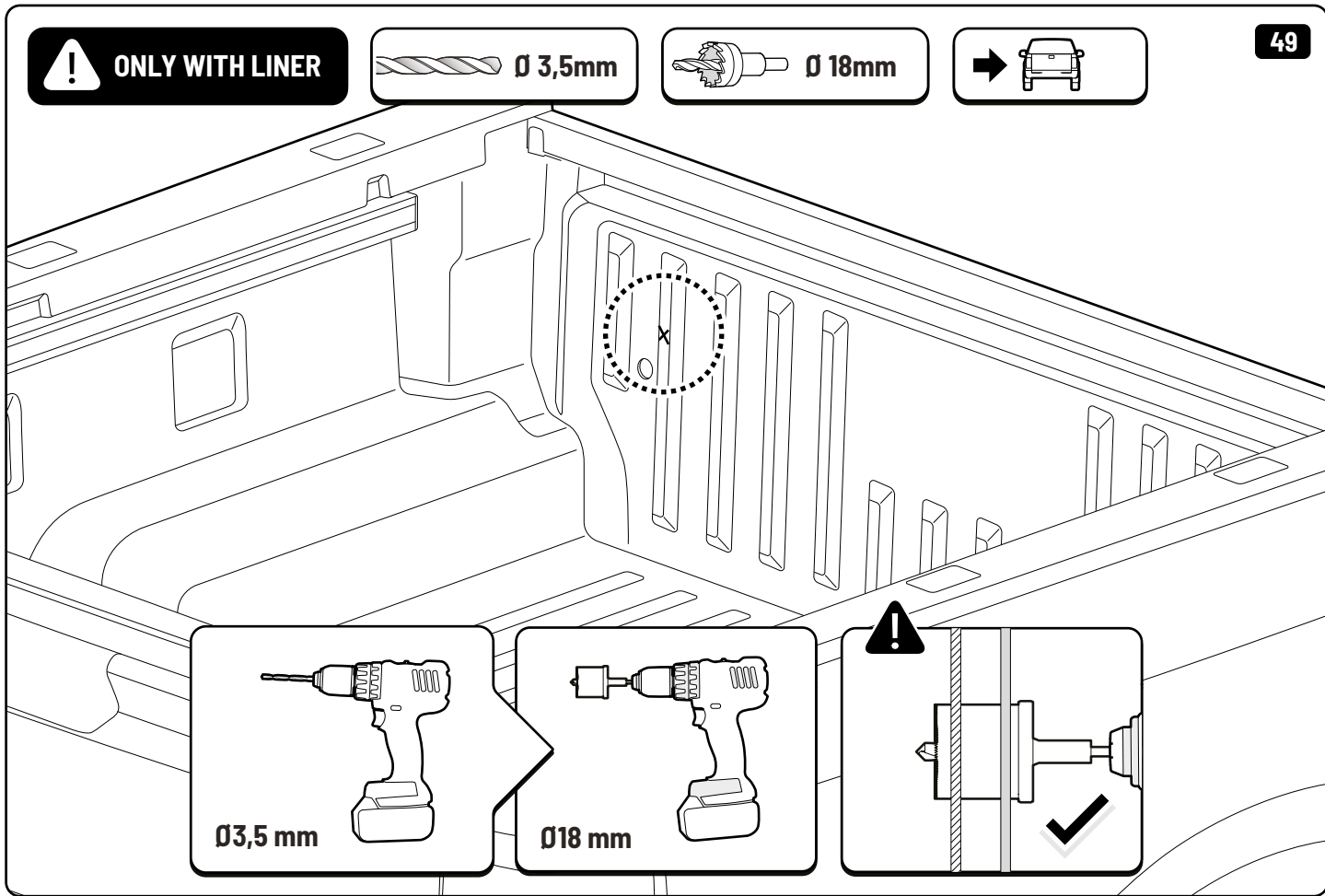
! ONLY WITH LINER



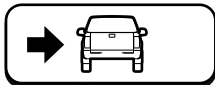
! ONLY WITH LINER



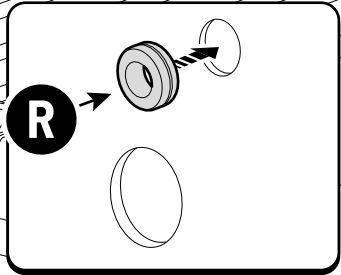
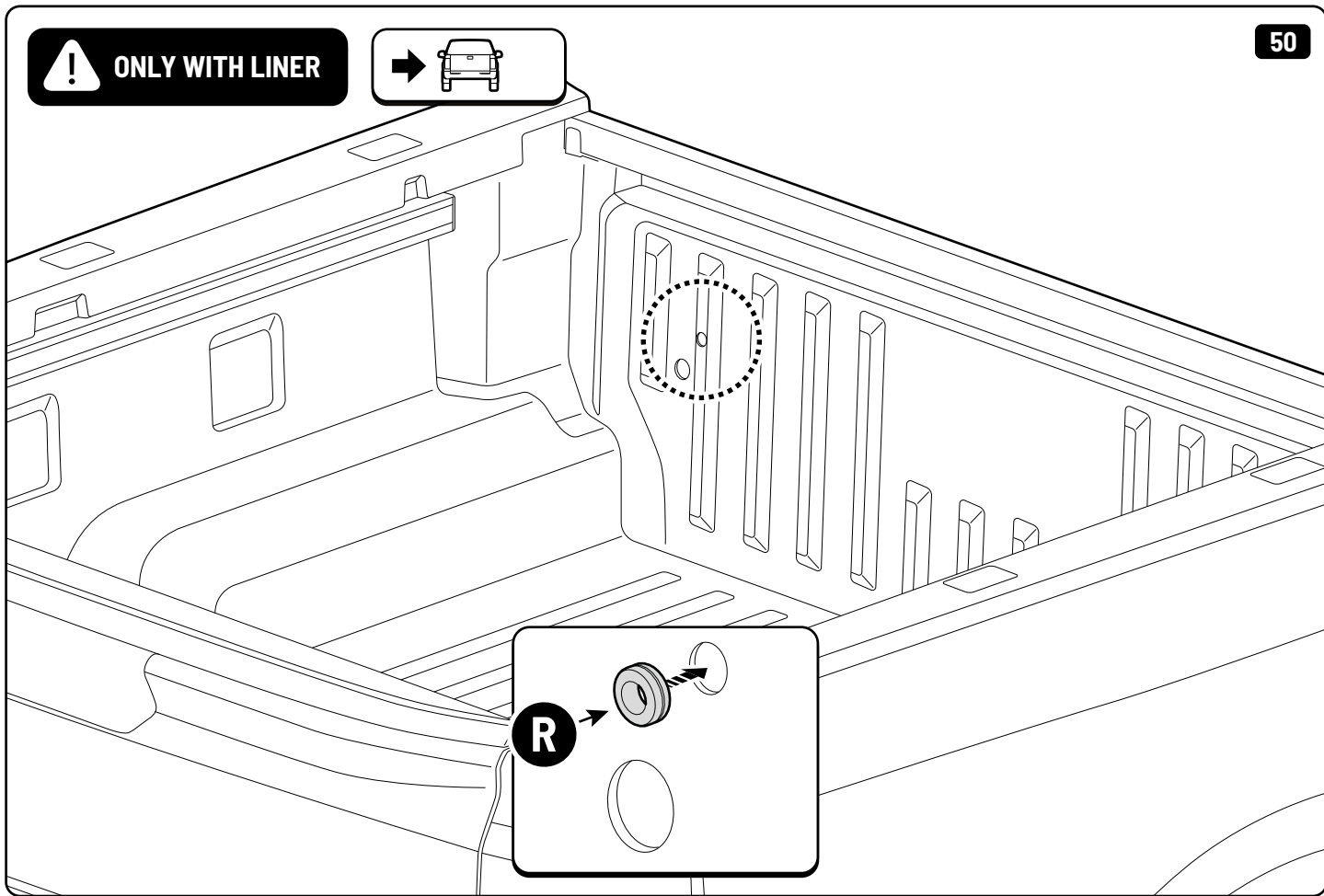
49



! ONLY WITH LINER



50



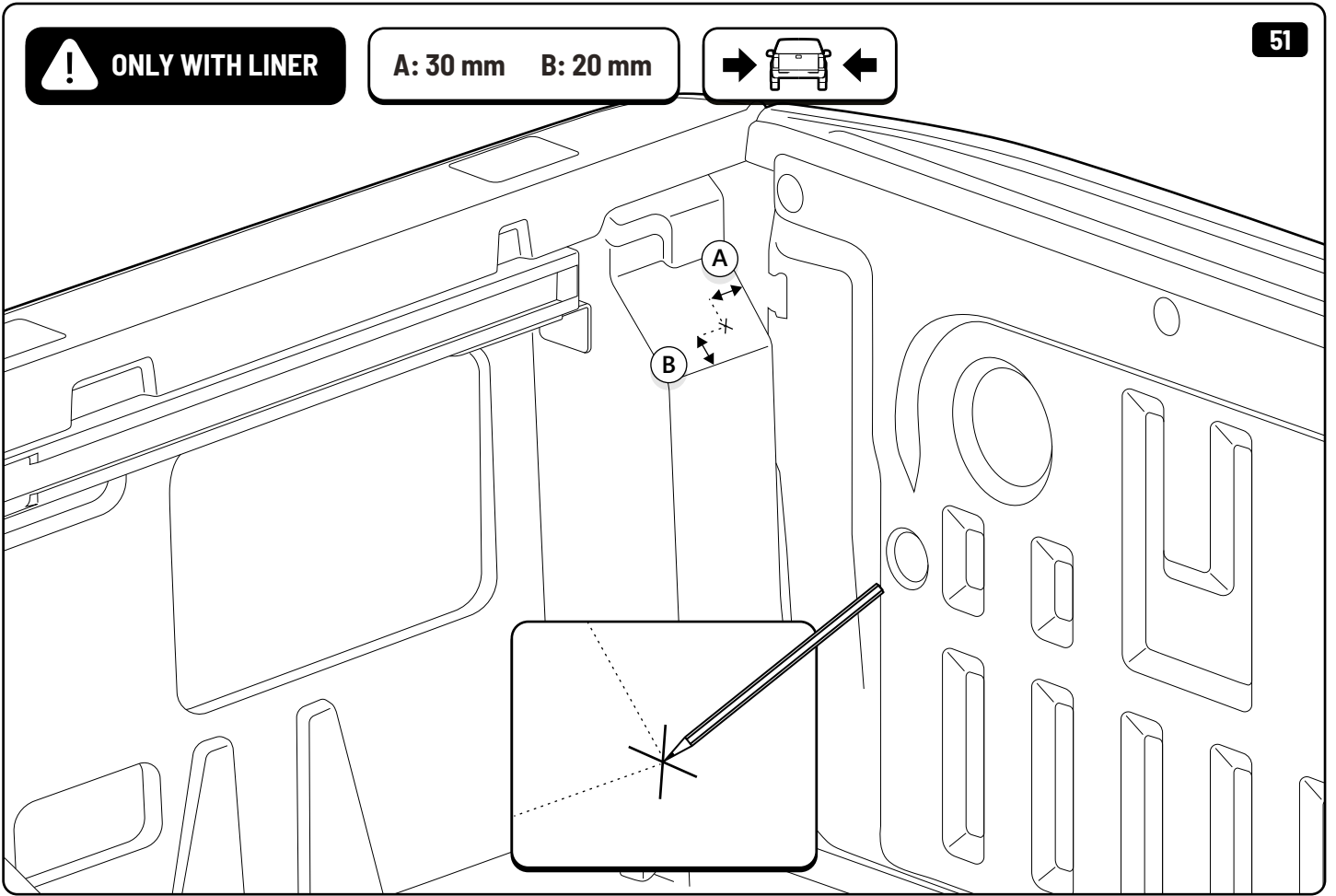


ONLY WITH LINER

A: 30 mm B: 20 mm



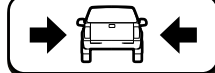
51



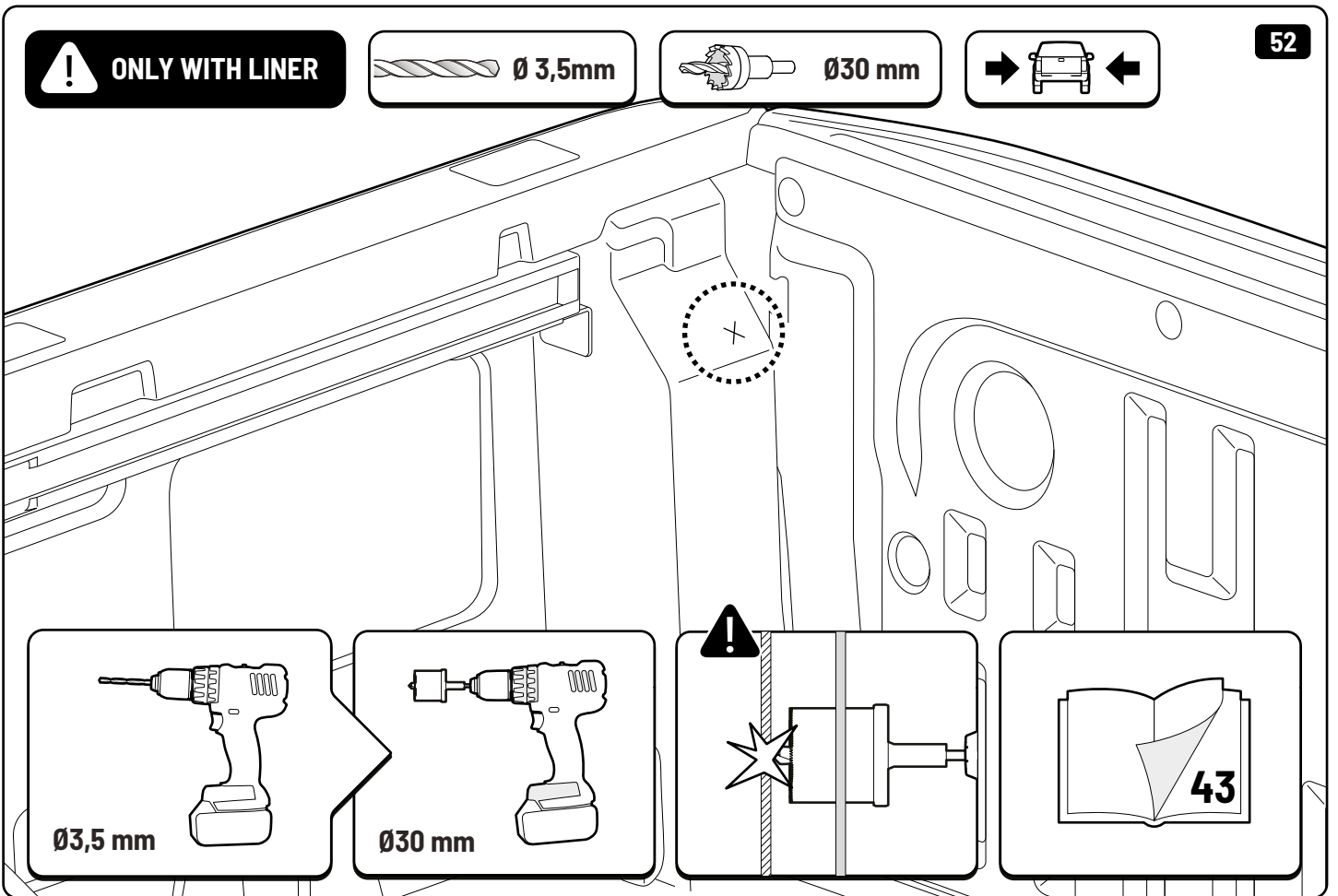
ONLY WITH LINER

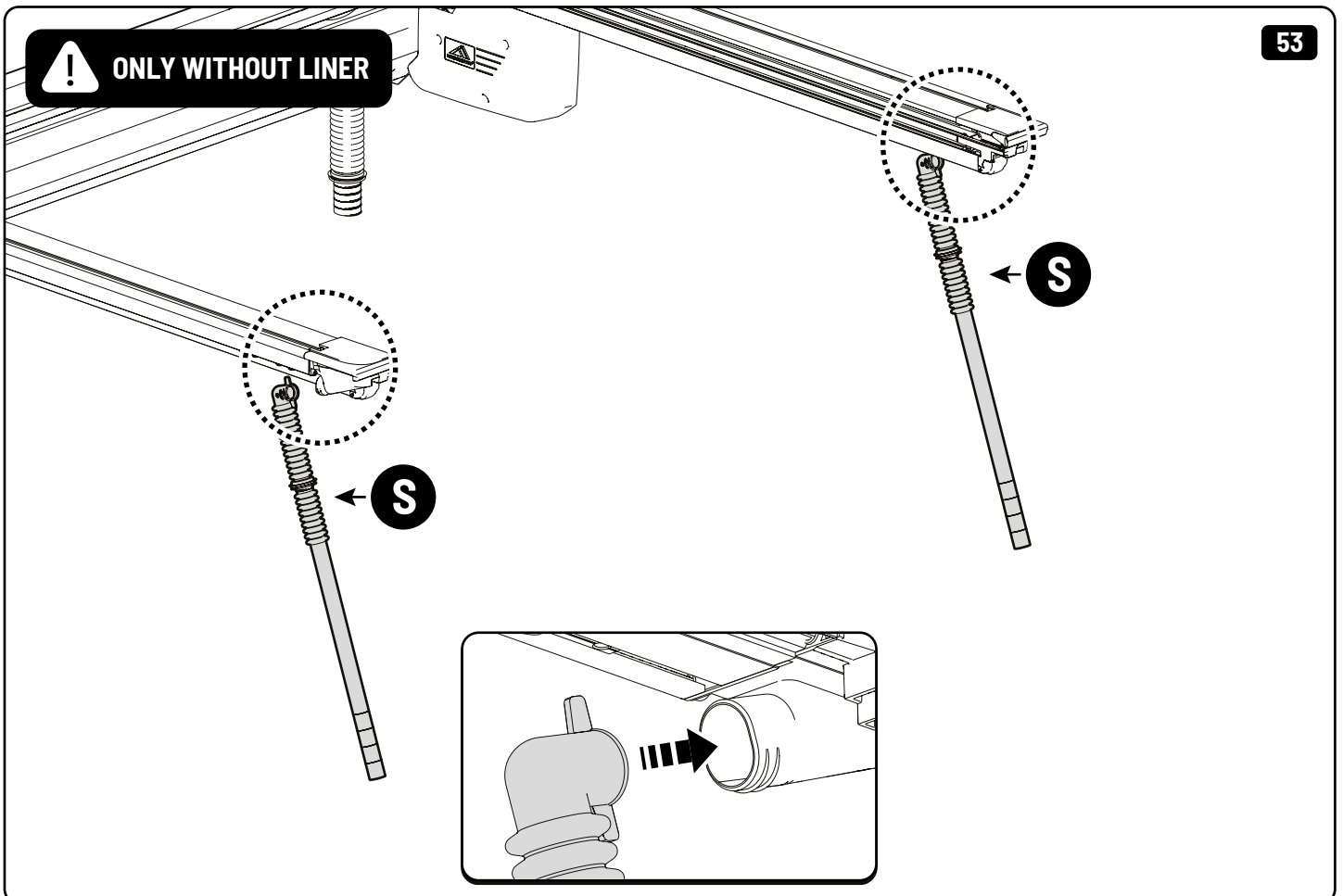
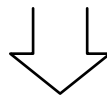
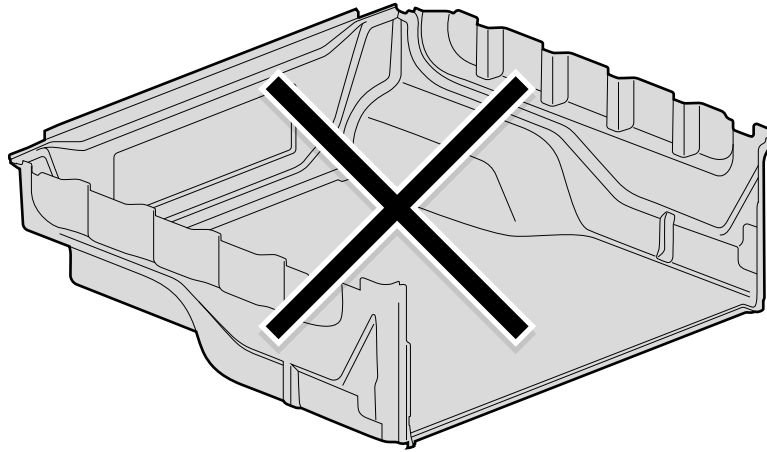
Ø 3,5mm

Ø30 mm



52

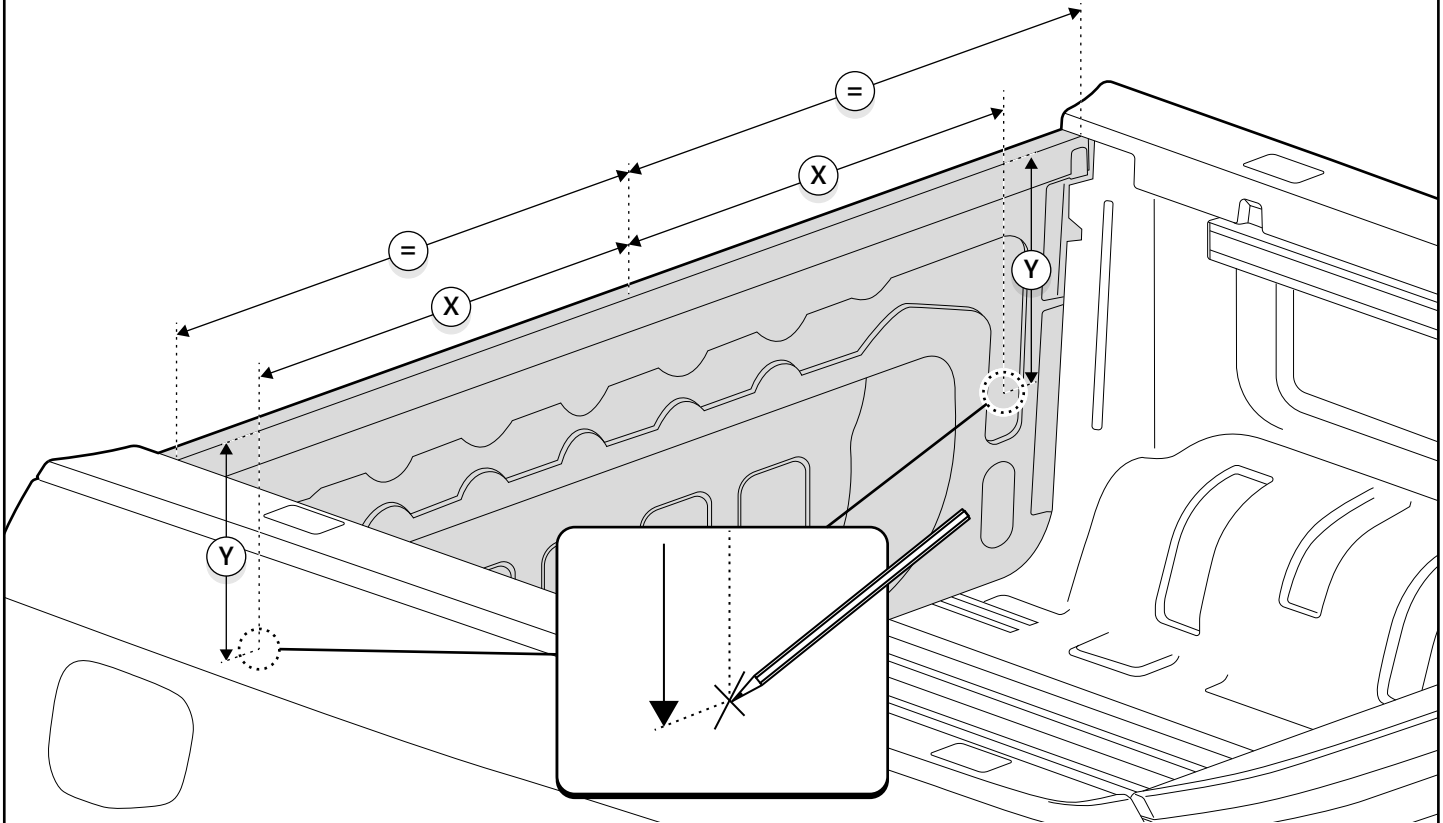




! ONLY WITHOUT LINER

! EUROPEAN MODEL

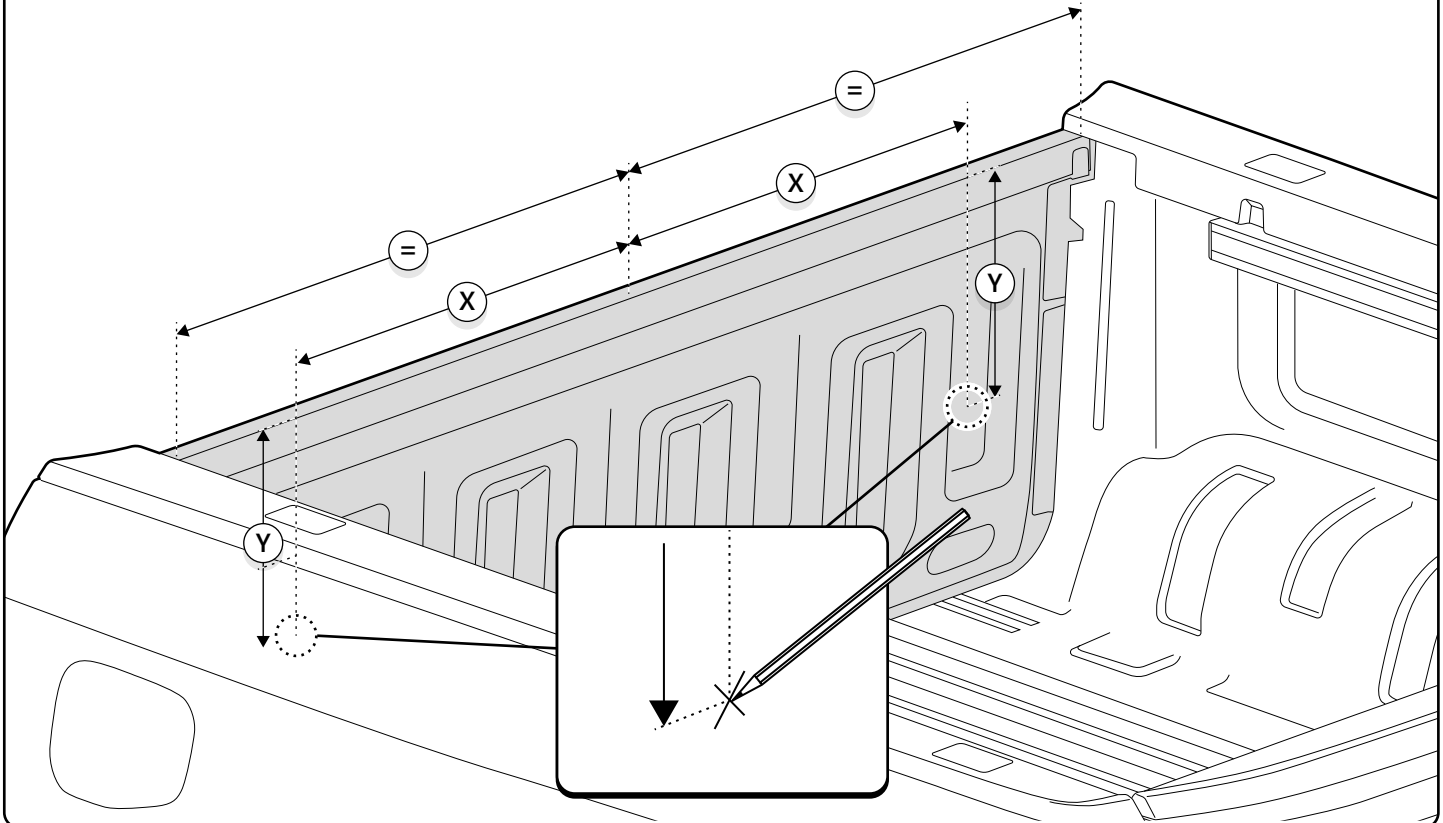
X: 650 mm Y: 290 mm



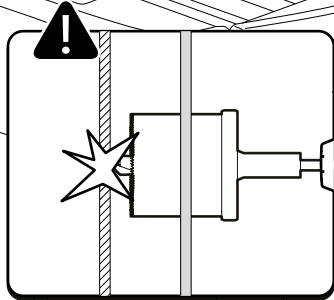
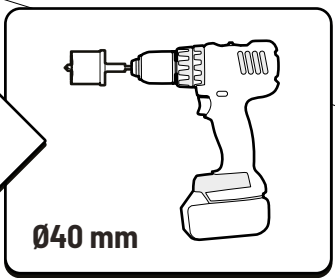
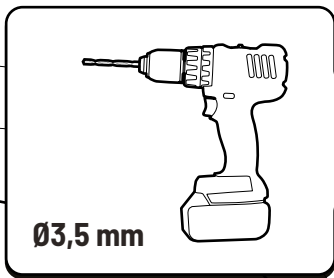
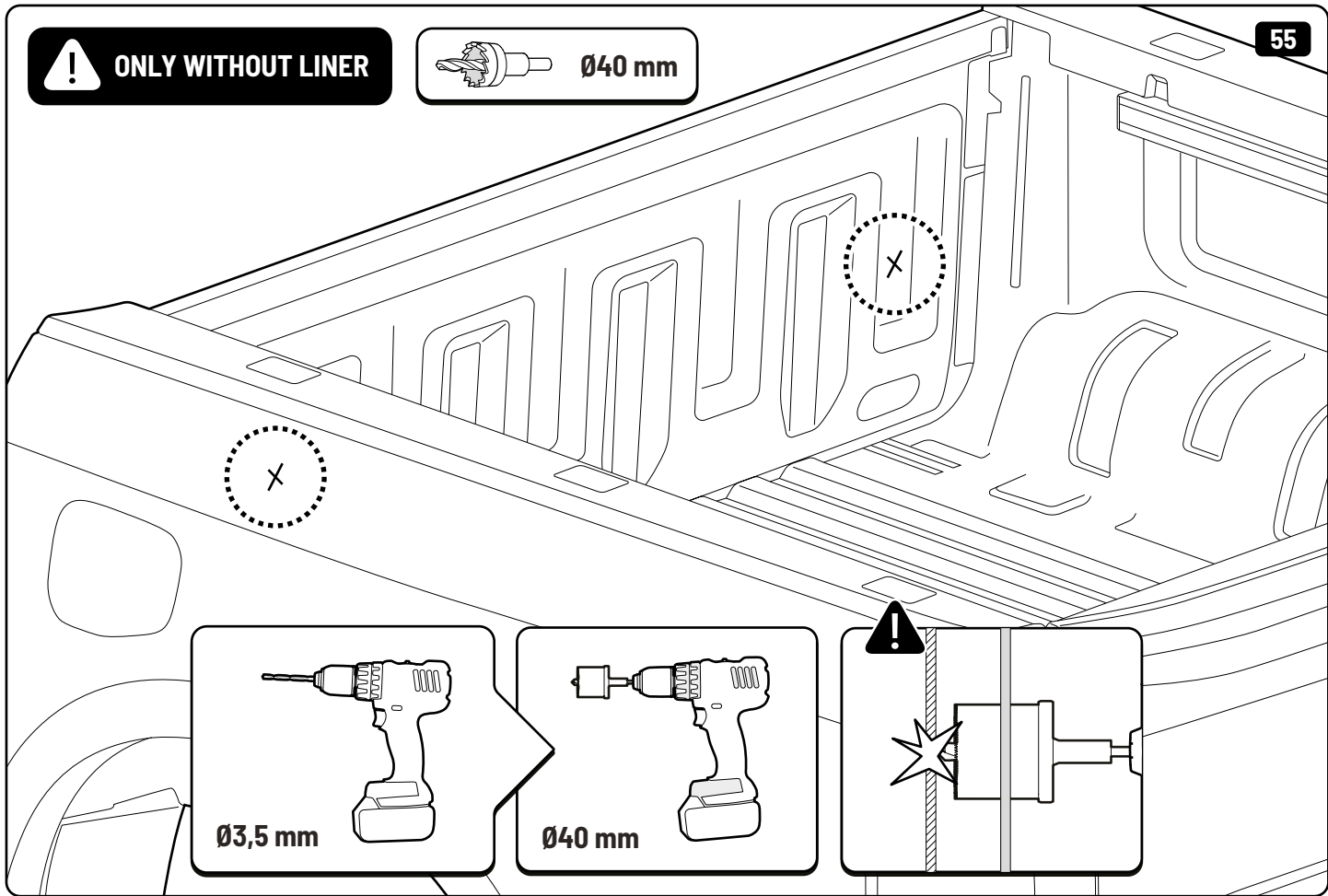
! ONLY WITHOUT LINER

! OTHER MODELS

X: 580 mm Y: 290 mm

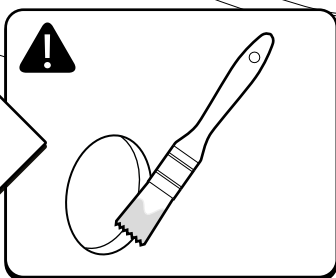
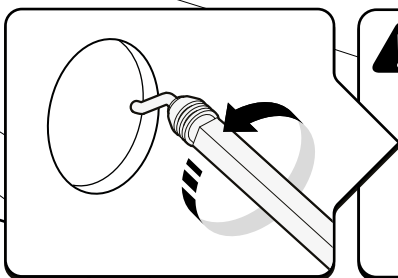
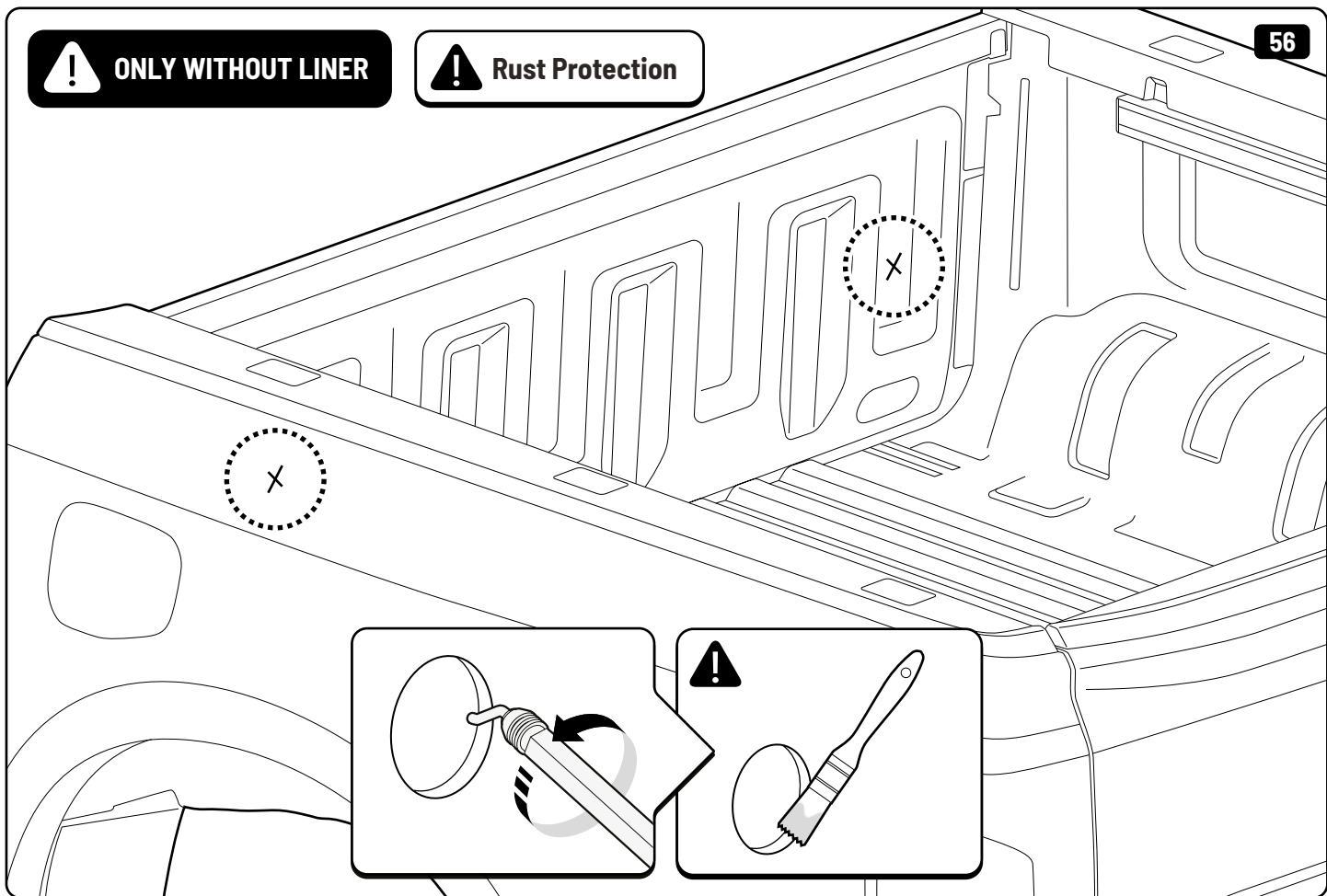


! ONLY WITHOUT LINER

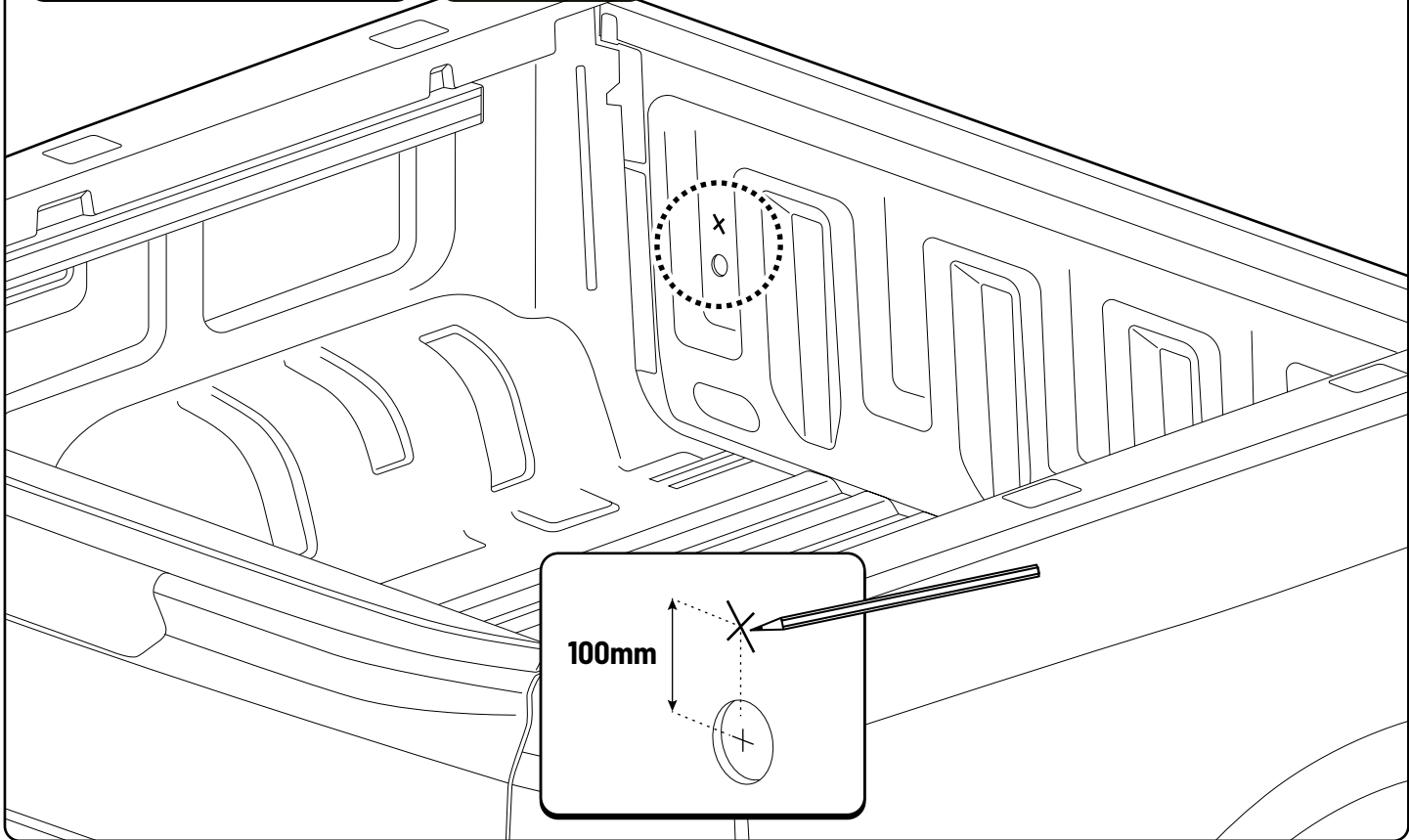
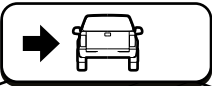


! ONLY WITHOUT LINER

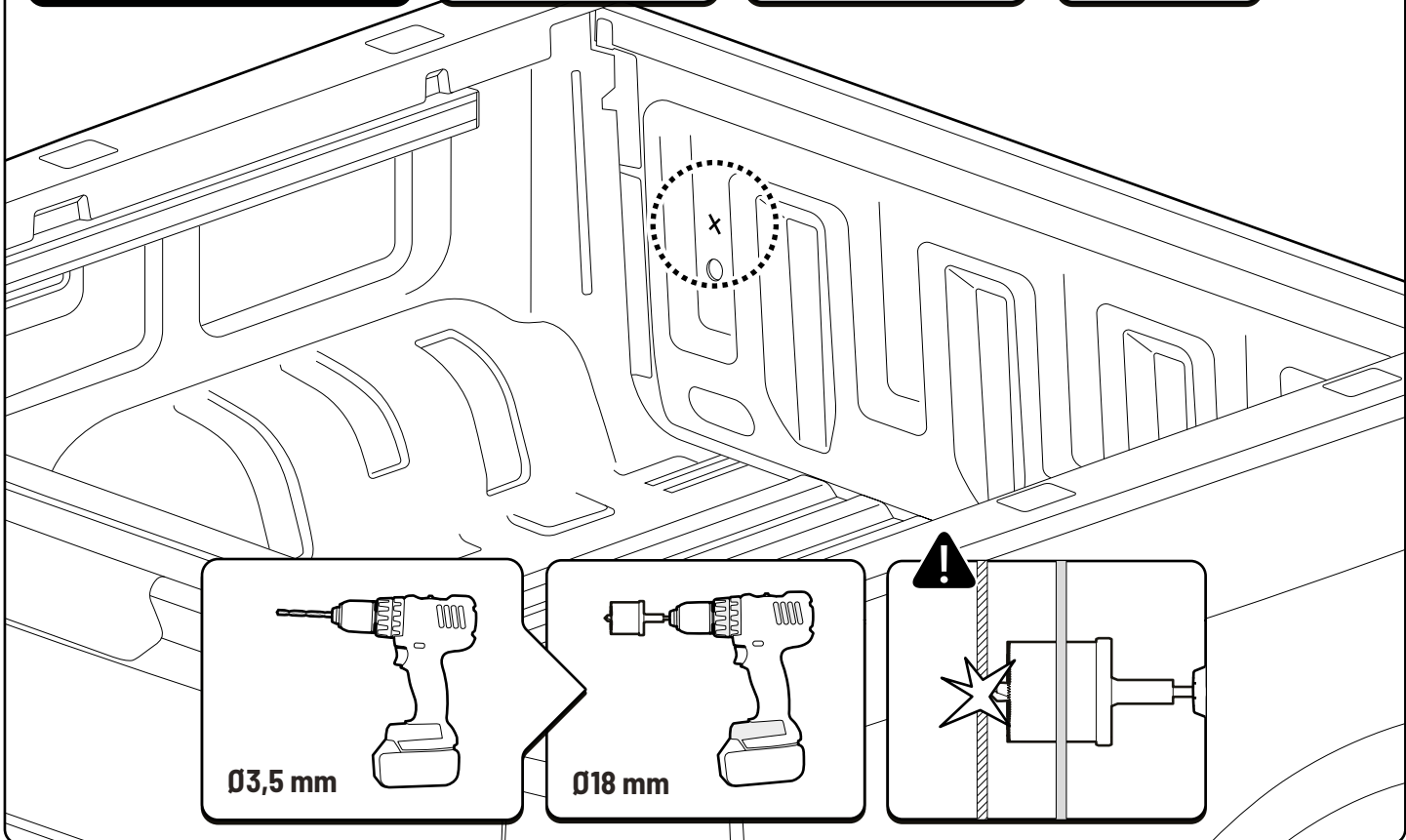
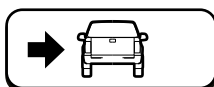
! Rust Protection



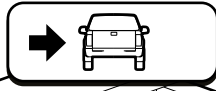
! ONLY WITHOUT LINER



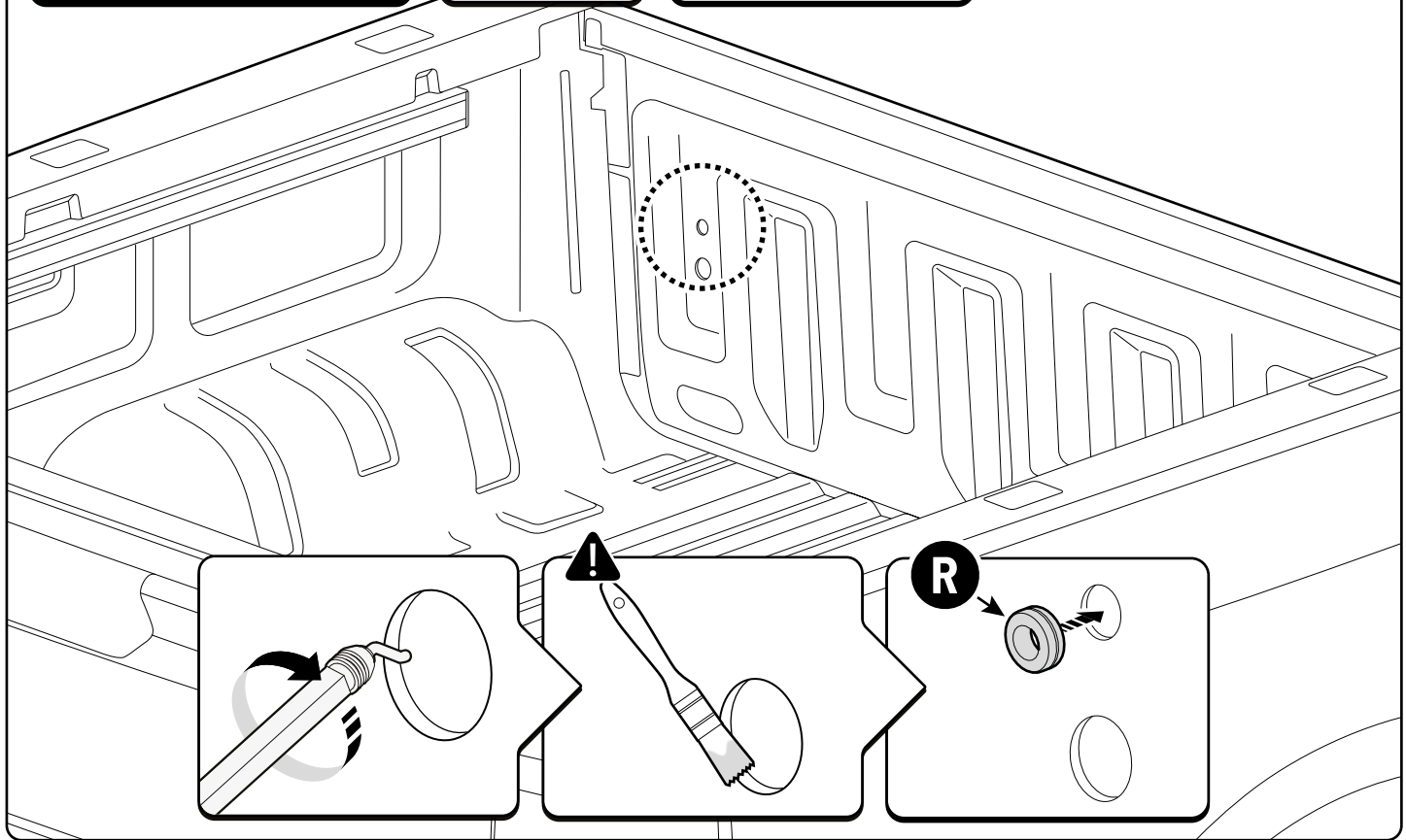
! ONLY WITHOUT LINER



! ONLY WITHOUT LINER

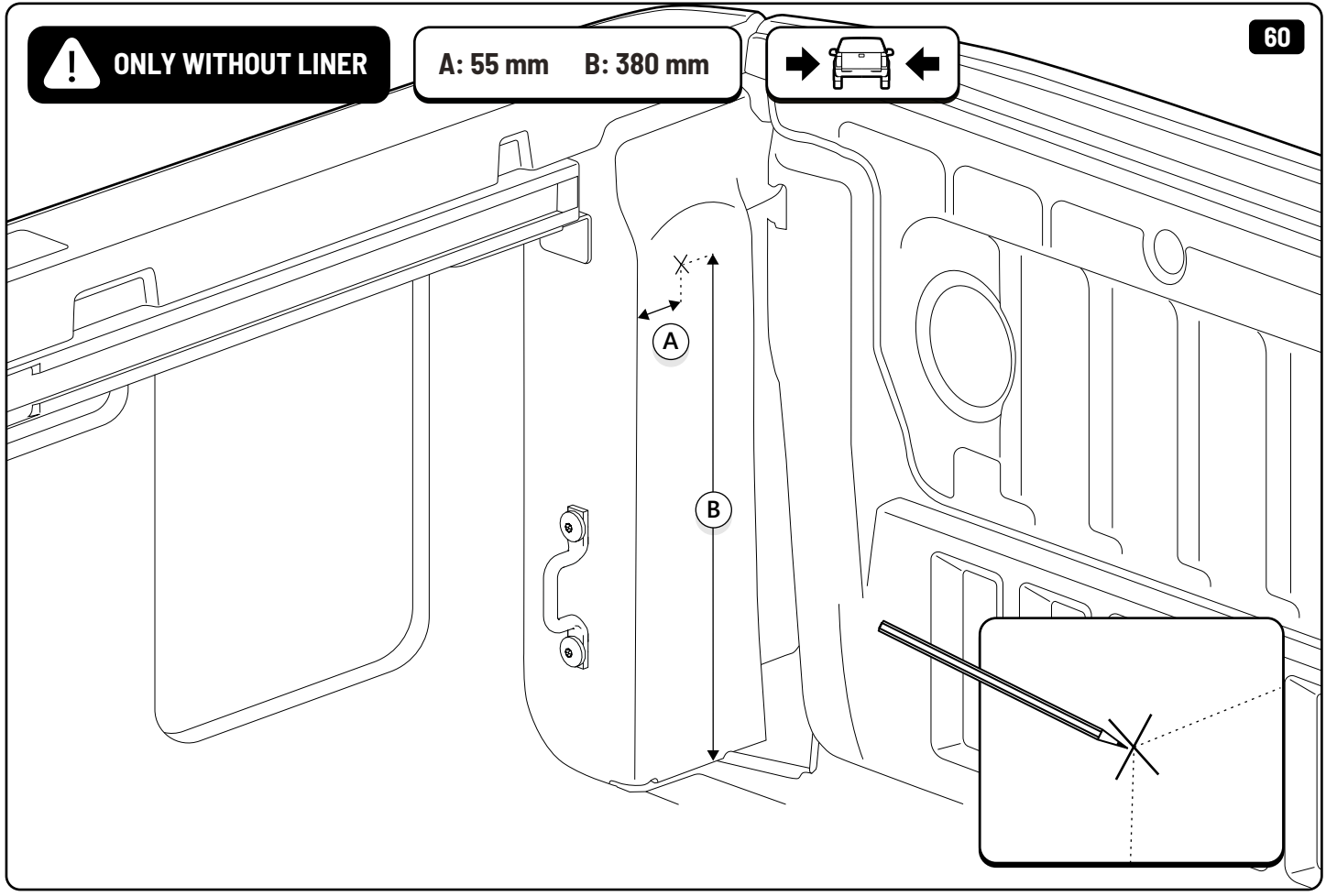


! Rust Protection



! ONLY WITHOUT LINER

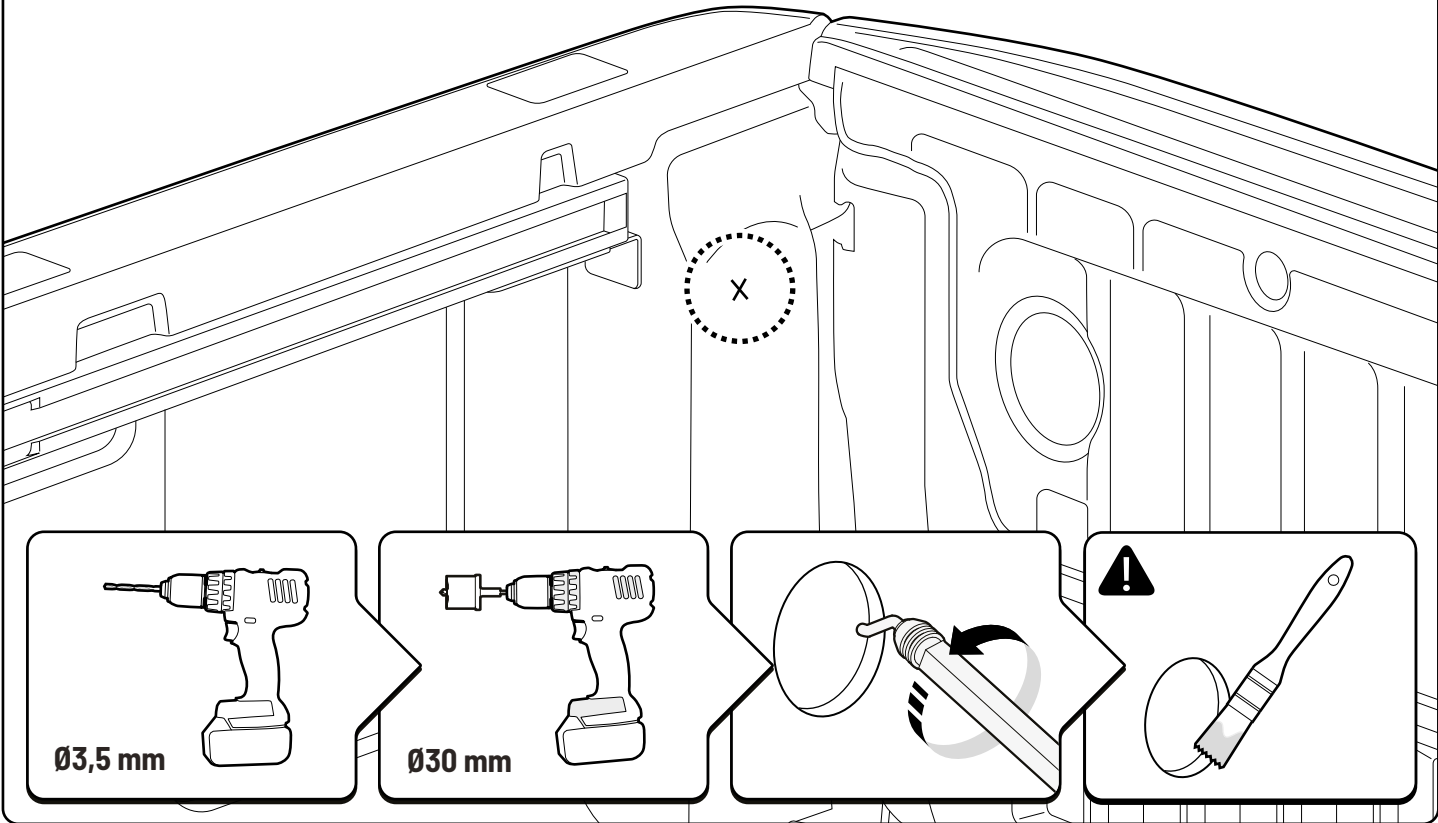
A: 55 mm B: 380 mm



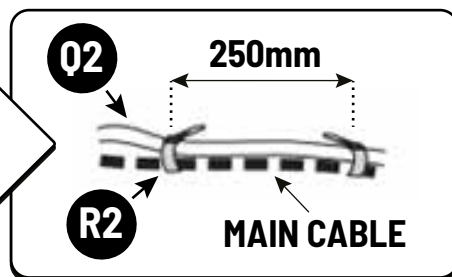
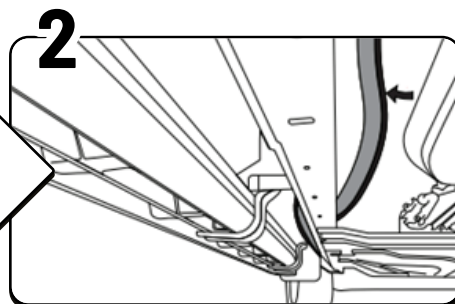
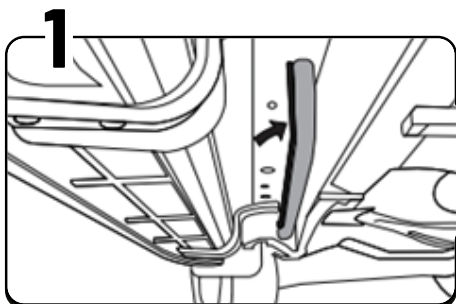
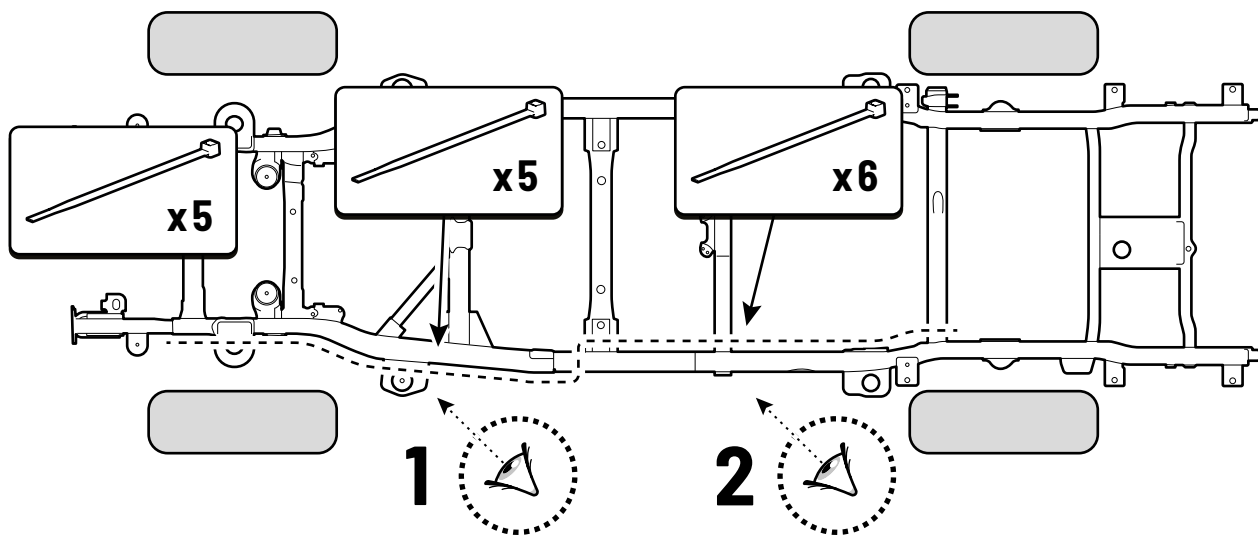
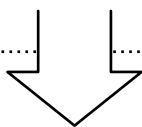
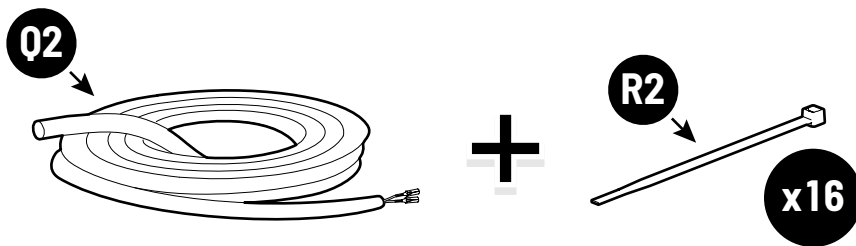
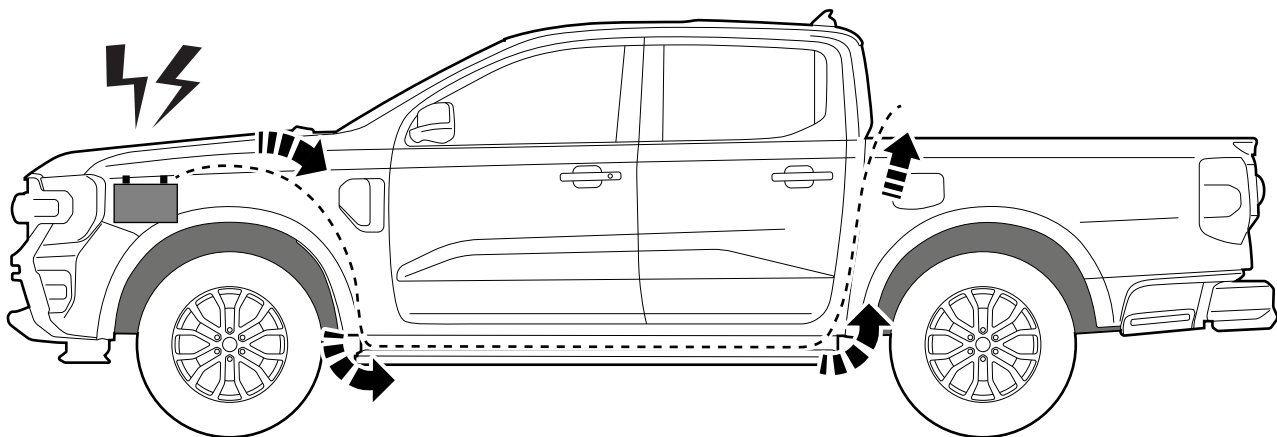
! ONLY WITHOUT LINER

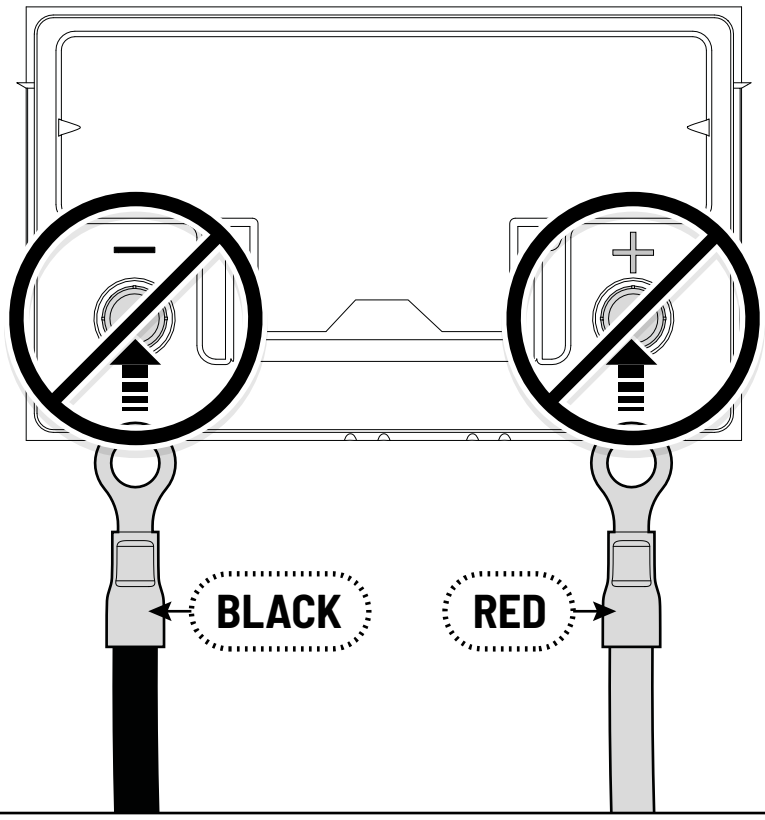
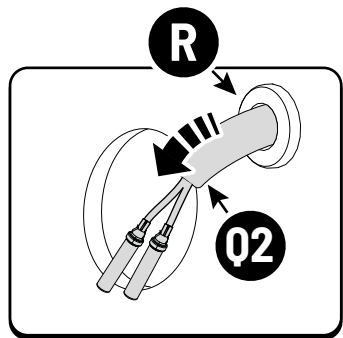
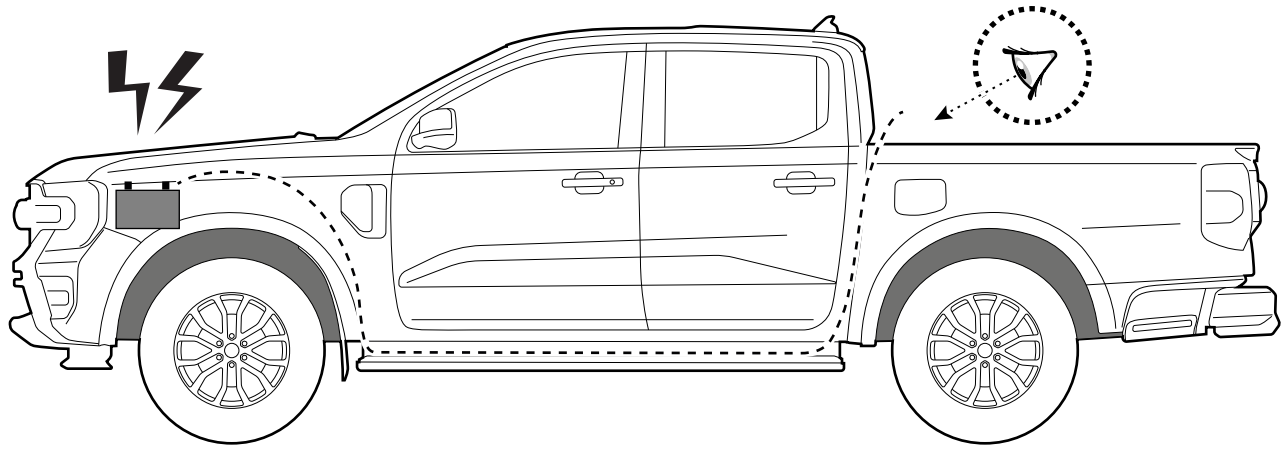


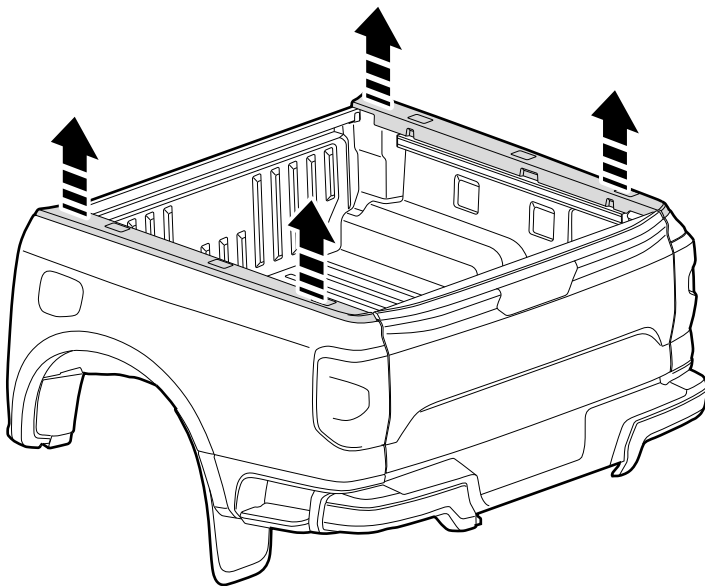
! Rust Protection



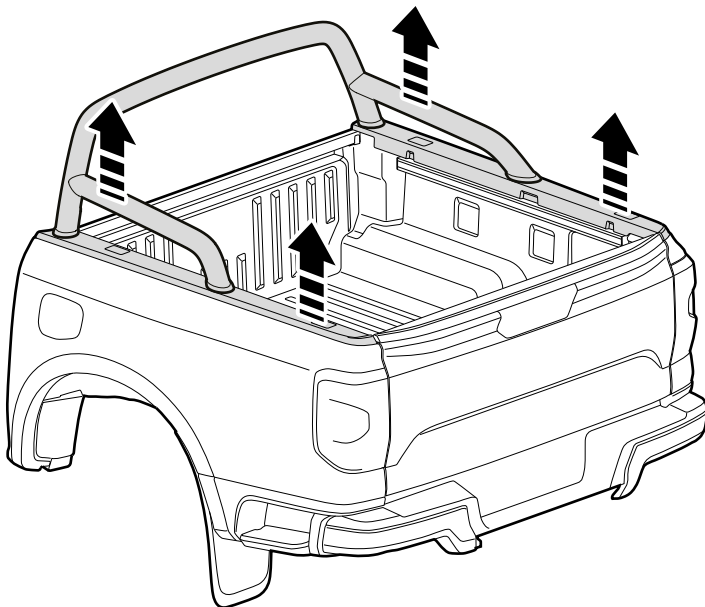
! ONLY TO BE INSTALLED BY AUTHORIZED PERSONNEL



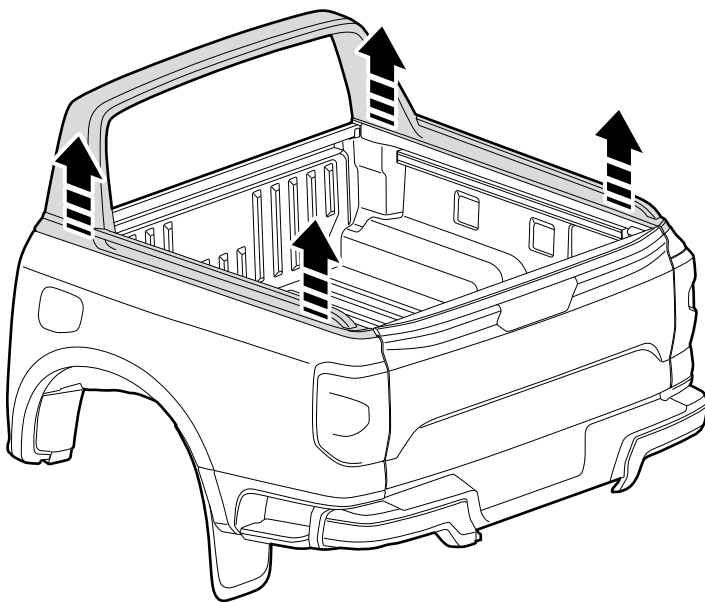




Ford XLT / Raptor



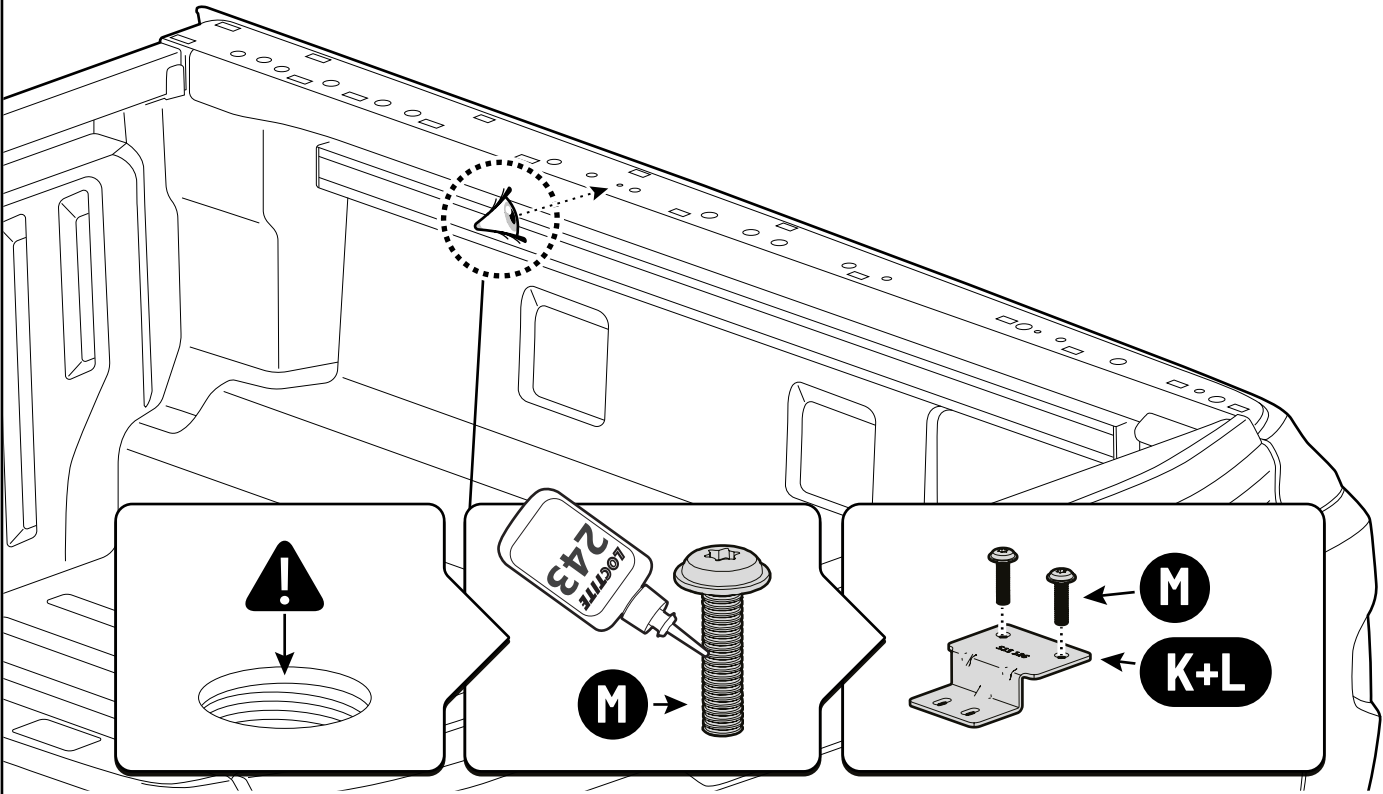
Ford XLT / Raptor



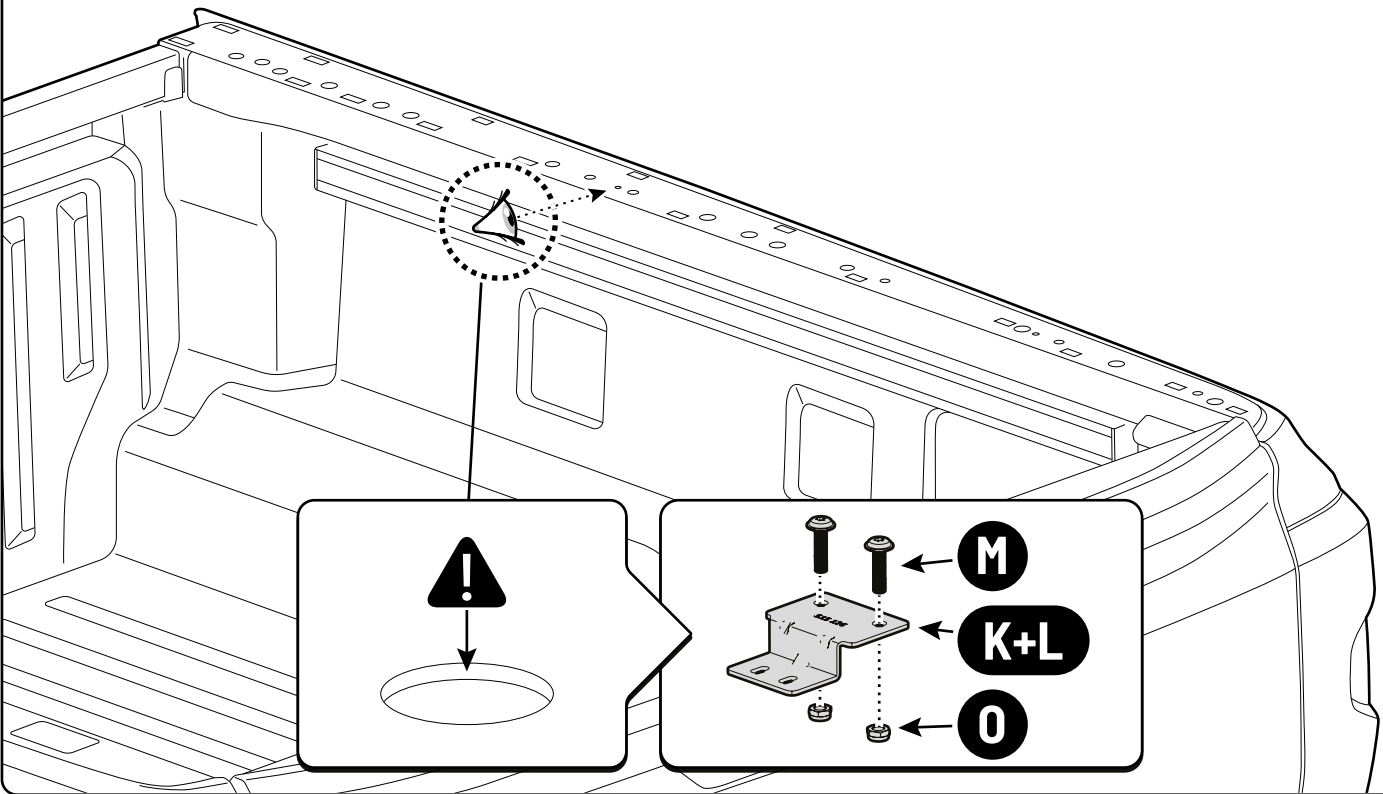
Ford Wildtrak

! ONLY FOR THREADED HOLES

LOCTITE 243

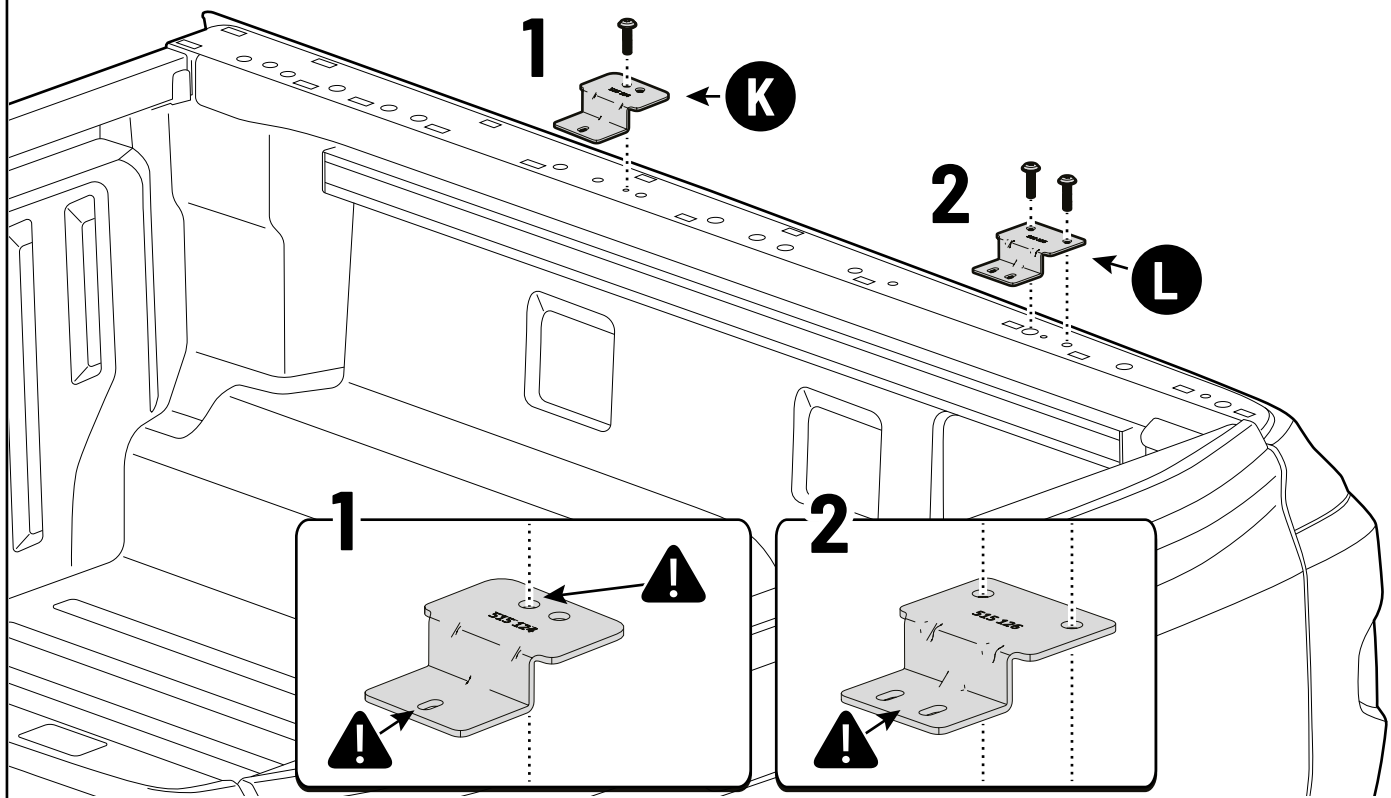
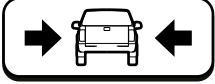


! ONLY FOR NON-THREADED HOLES



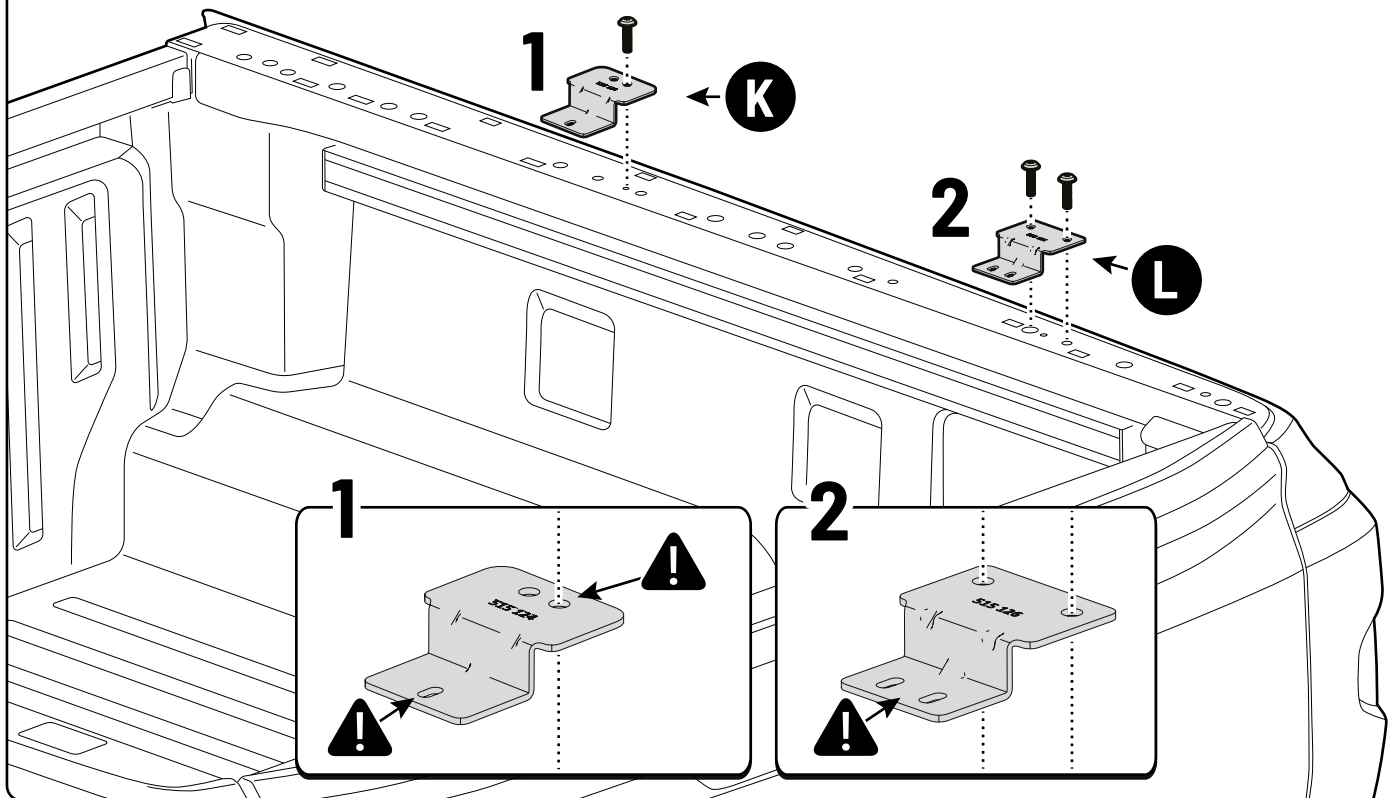
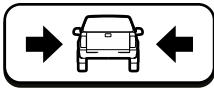
! FORD XLT / RAPTOR - DOUBLE CAB

T40 13 mm 25 Nm



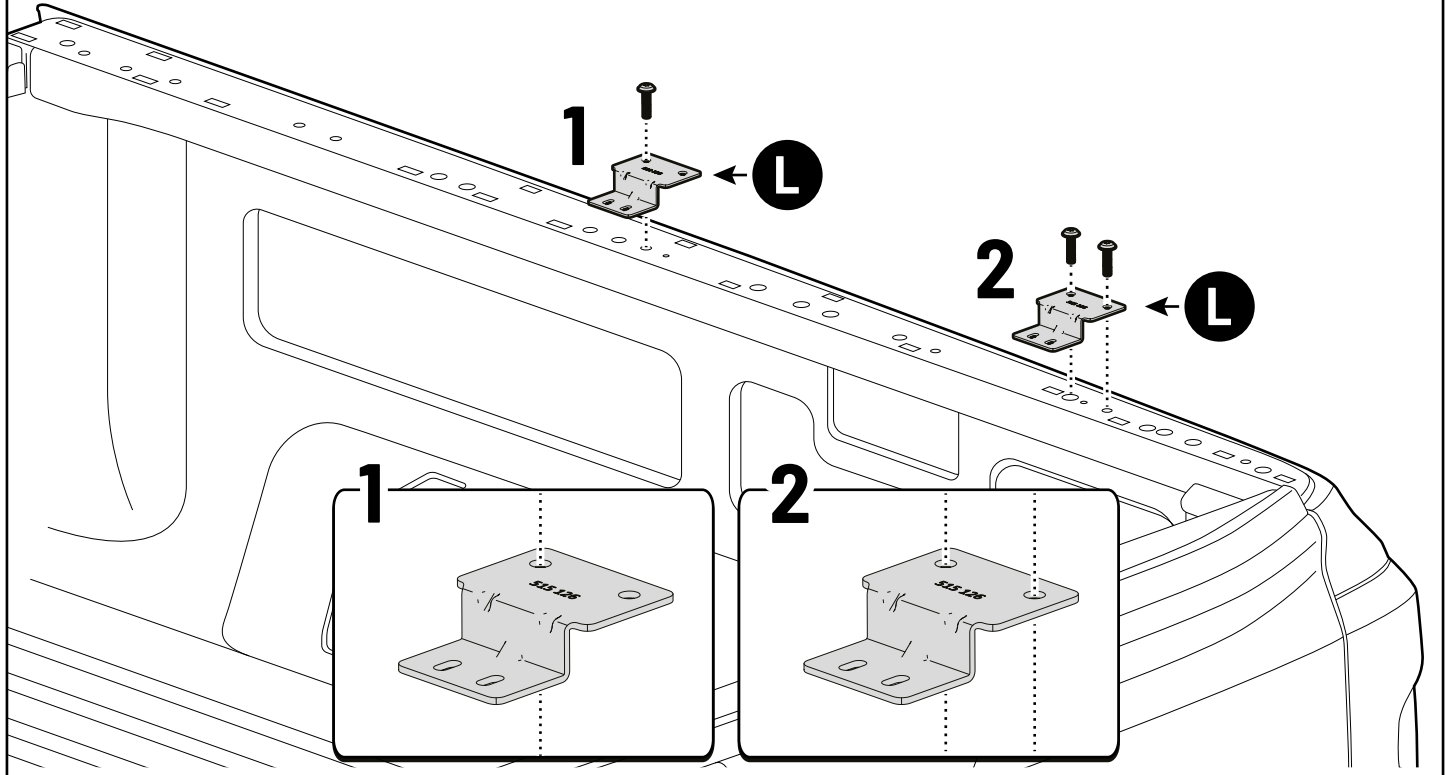
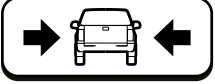
! FORD WILDTRAK - DOUBLE CAB

T40 13 mm 25 Nm



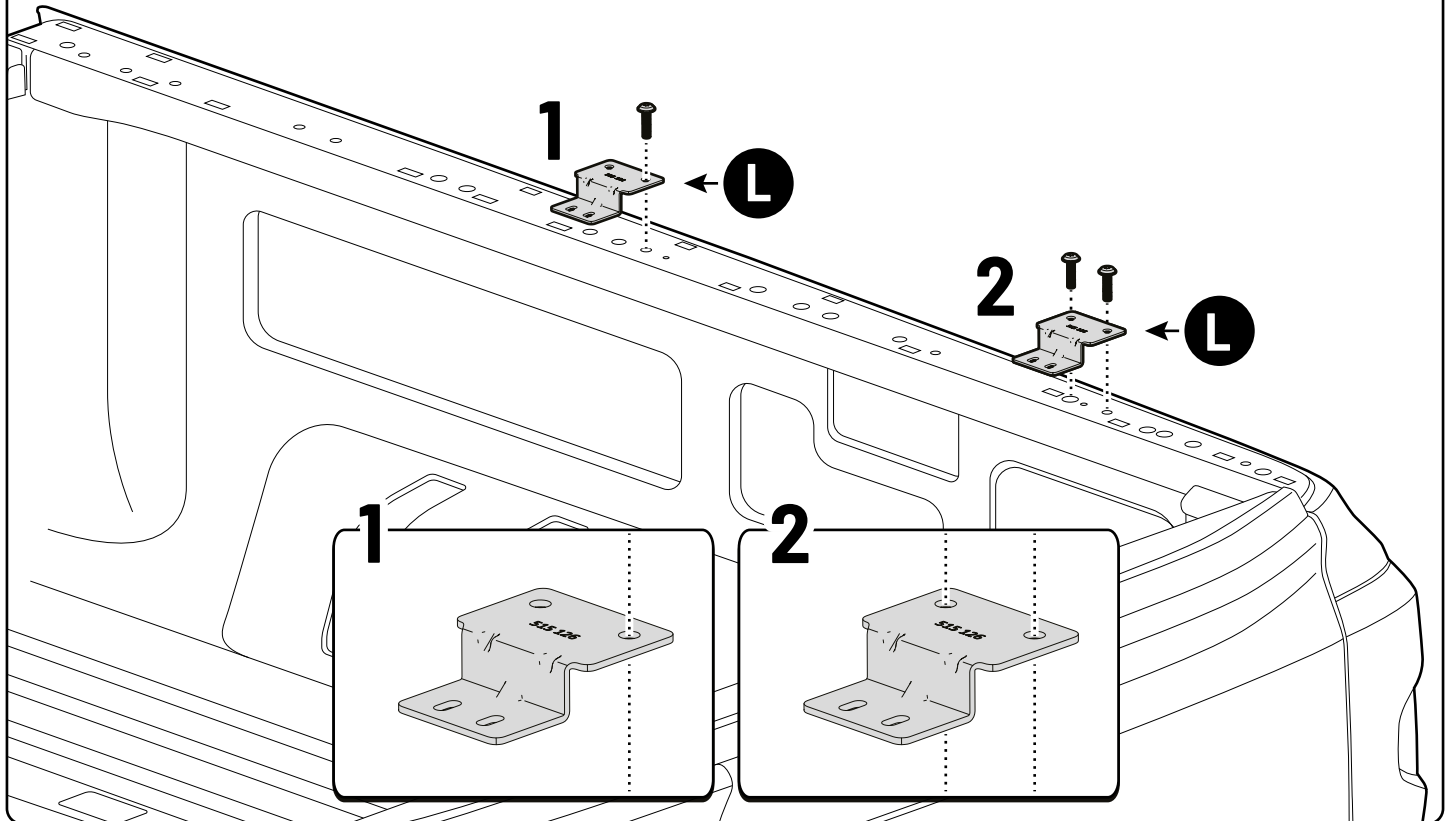
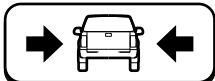
! WITH SPORTS BAR ACCESSORY - RAP CAB

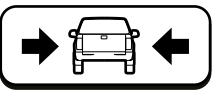
T40 13 mm 25 Nm



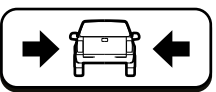
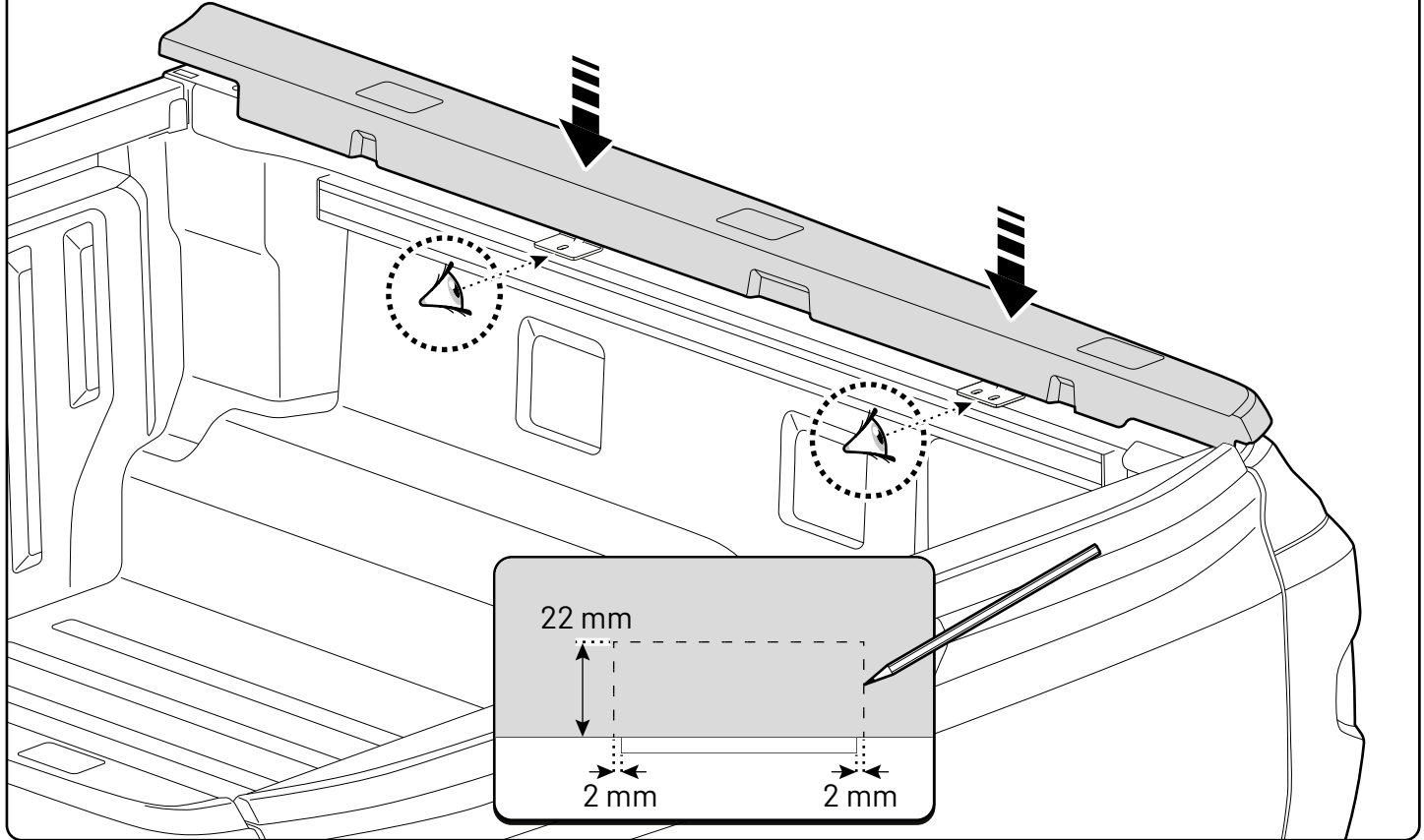
! WITHOUT SPORTS BAR ACCESSORY - RAP CAB

T40 13 mm 25 Nm

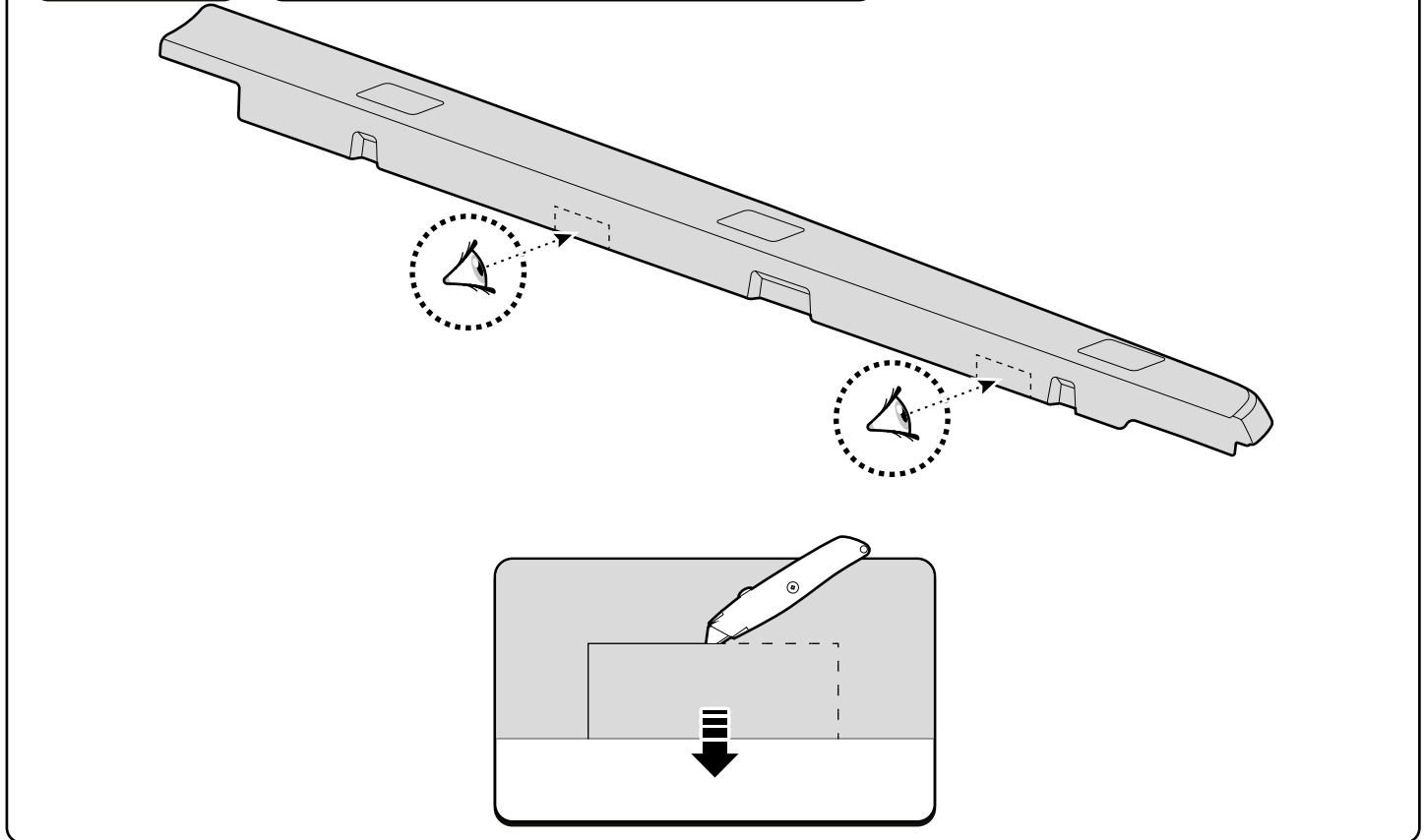


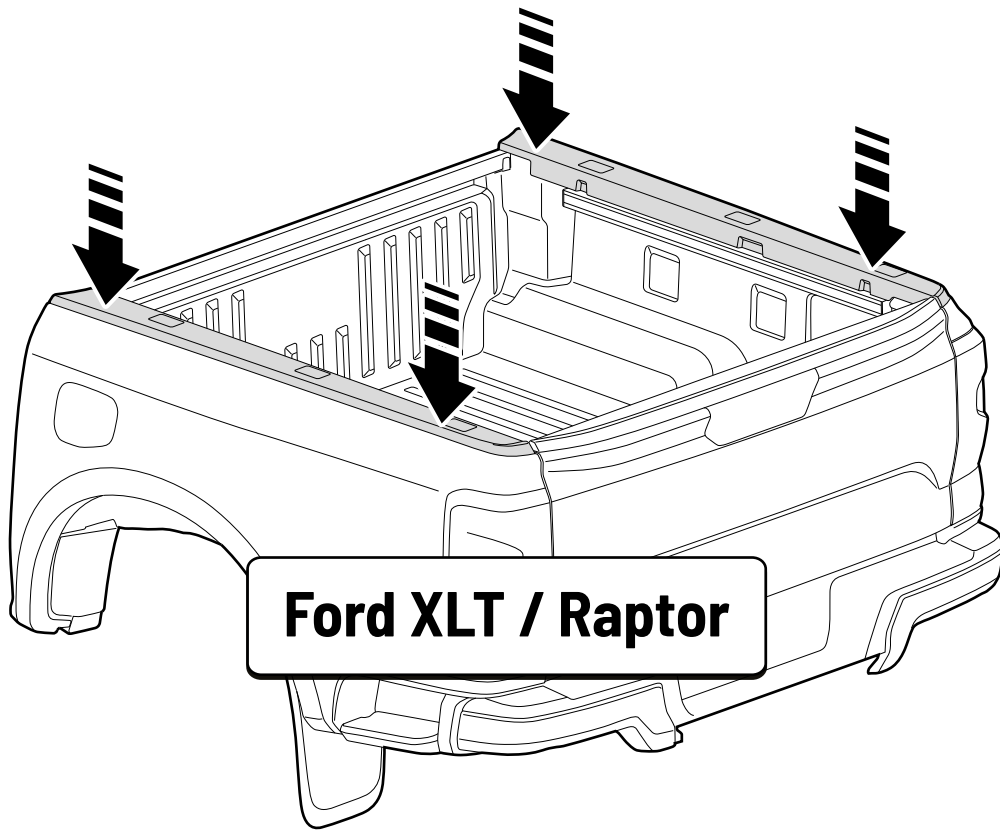


! ONLY FOR FORD RANGER XLT / RAPTOR

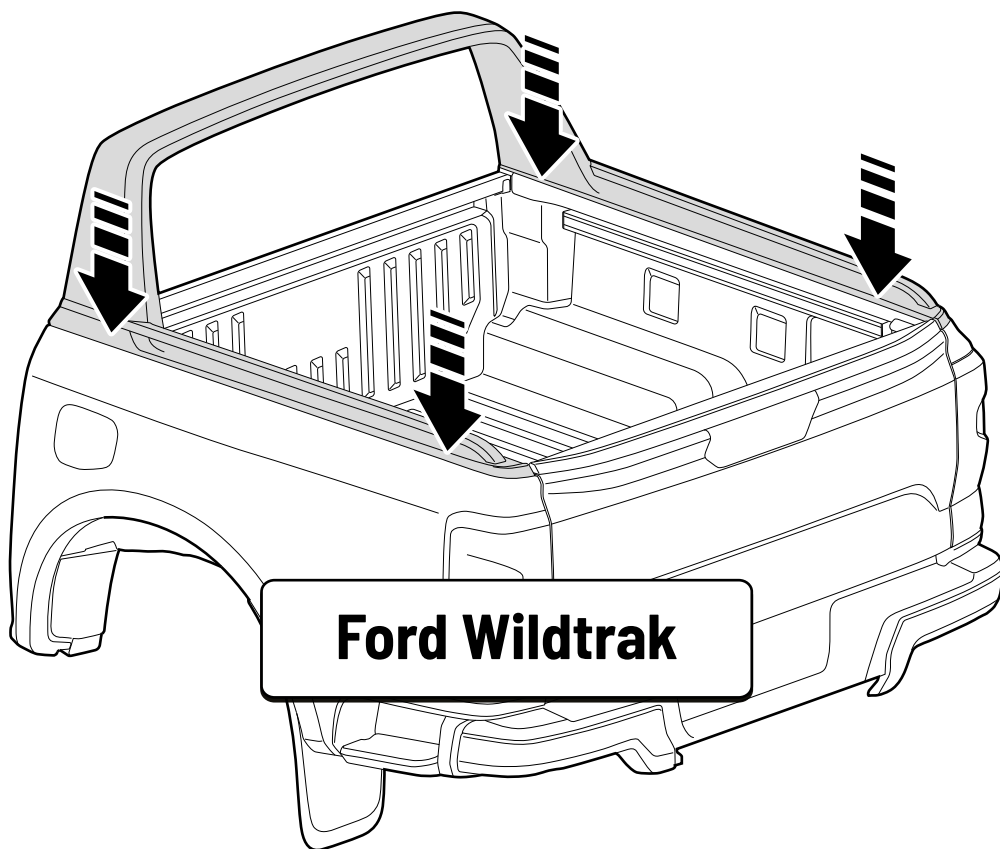


! ONLY FOR FORD RANGER XLT / RAPTOR

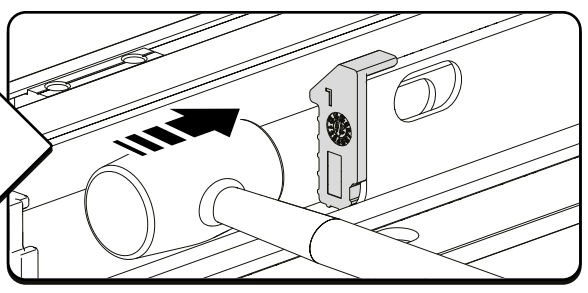
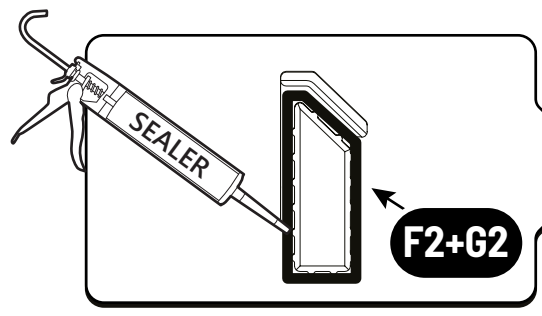
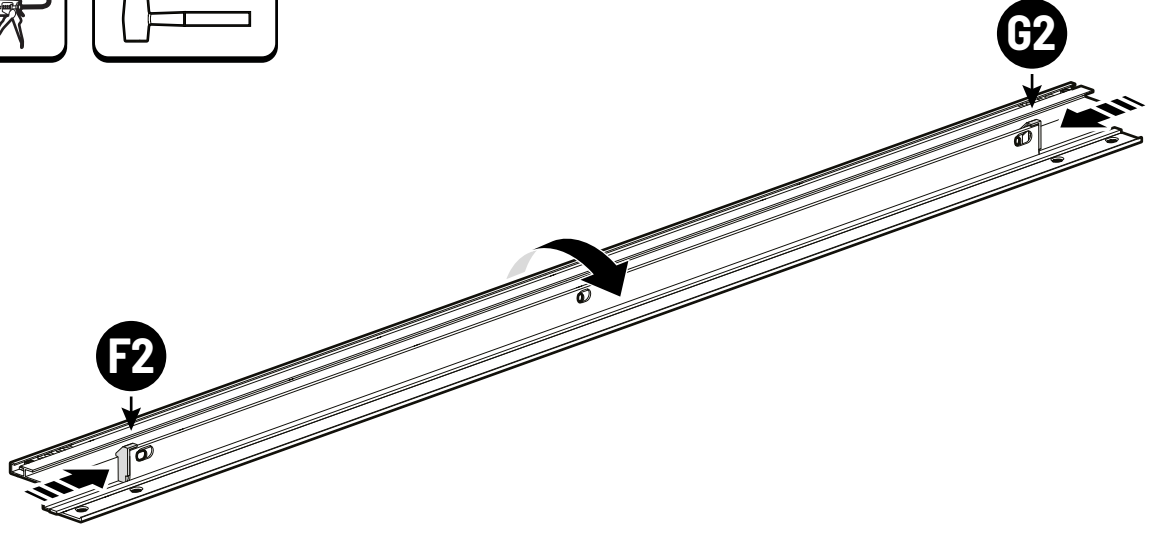
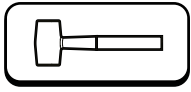
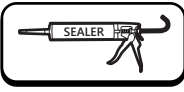
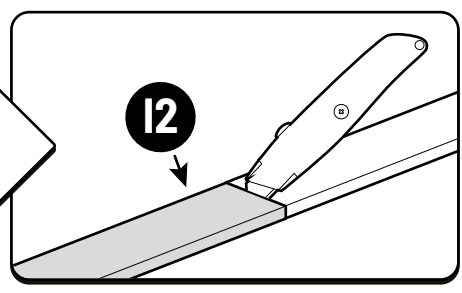
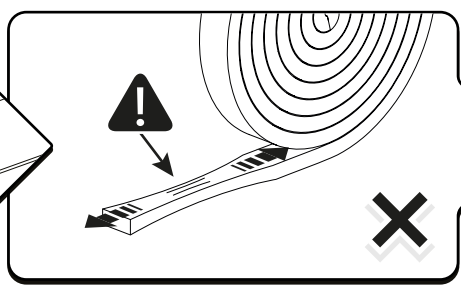
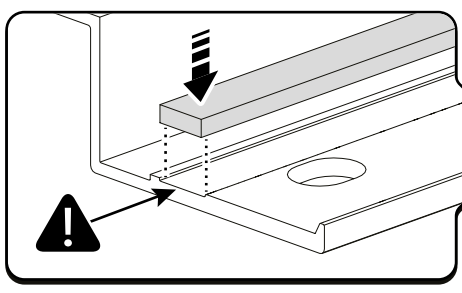
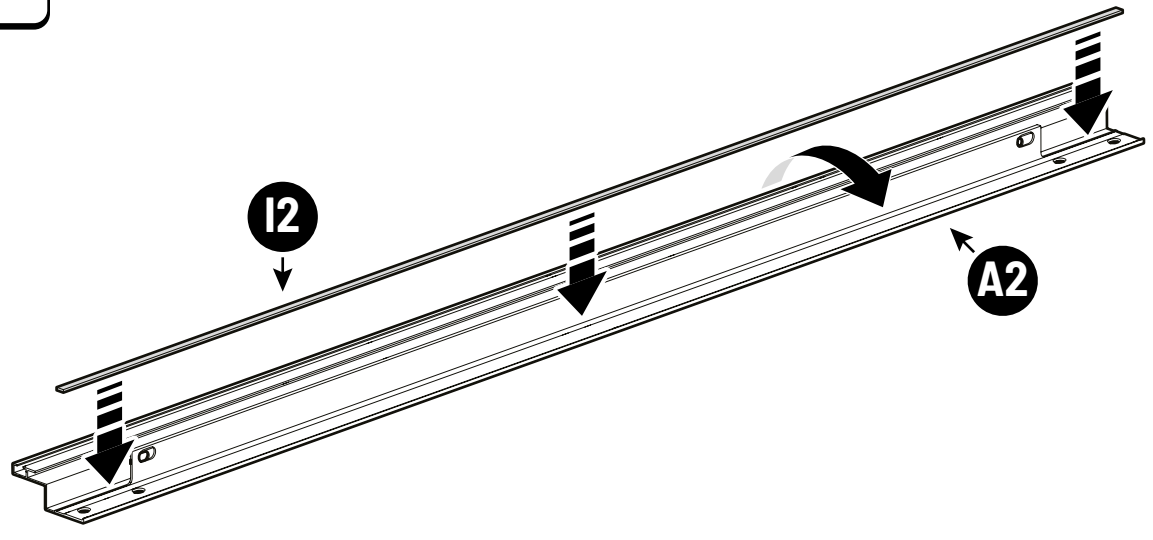
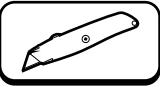


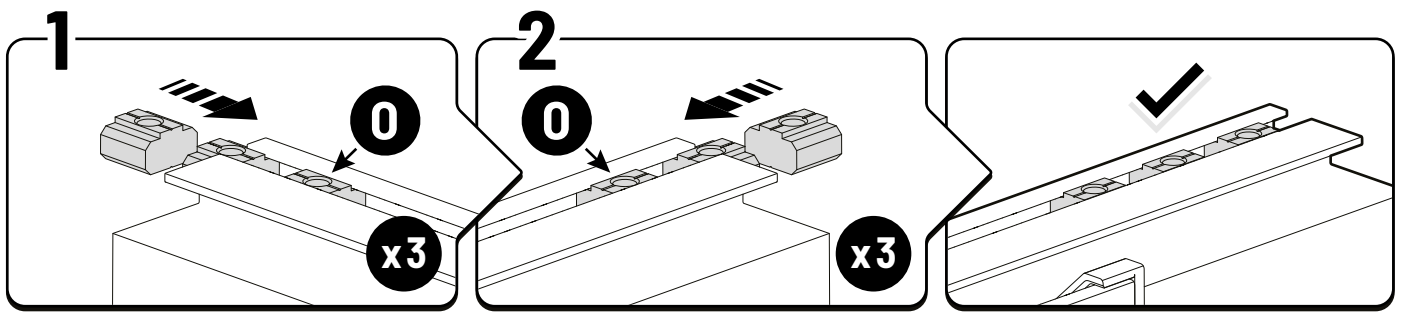
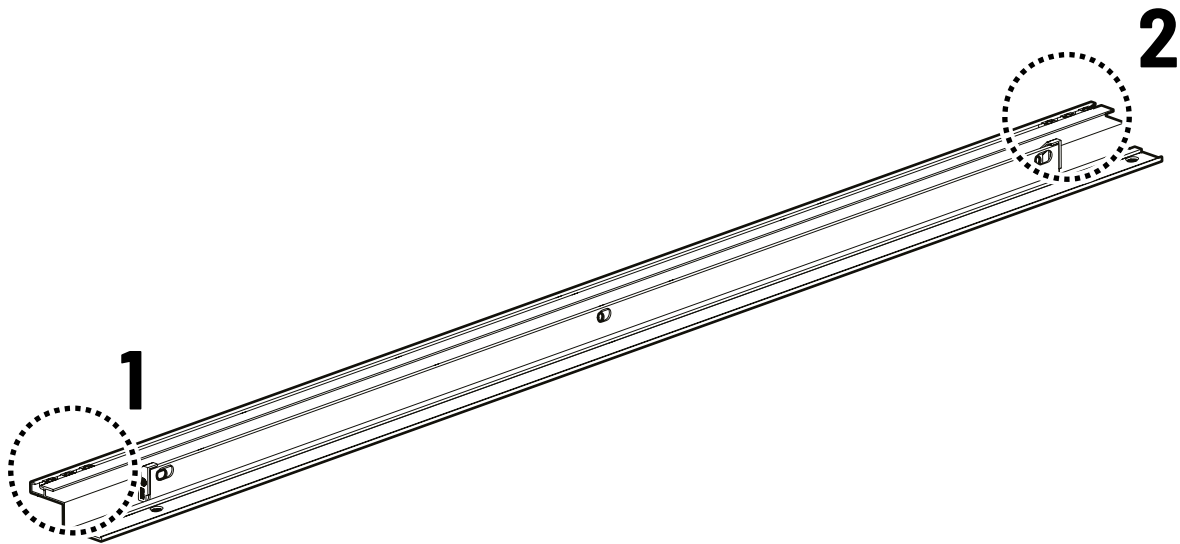


Ford XLT / Raptor

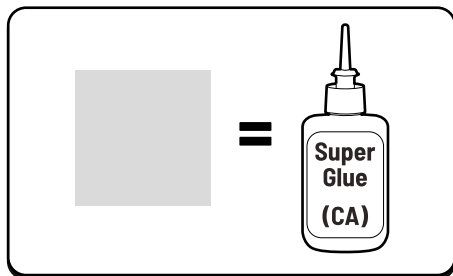
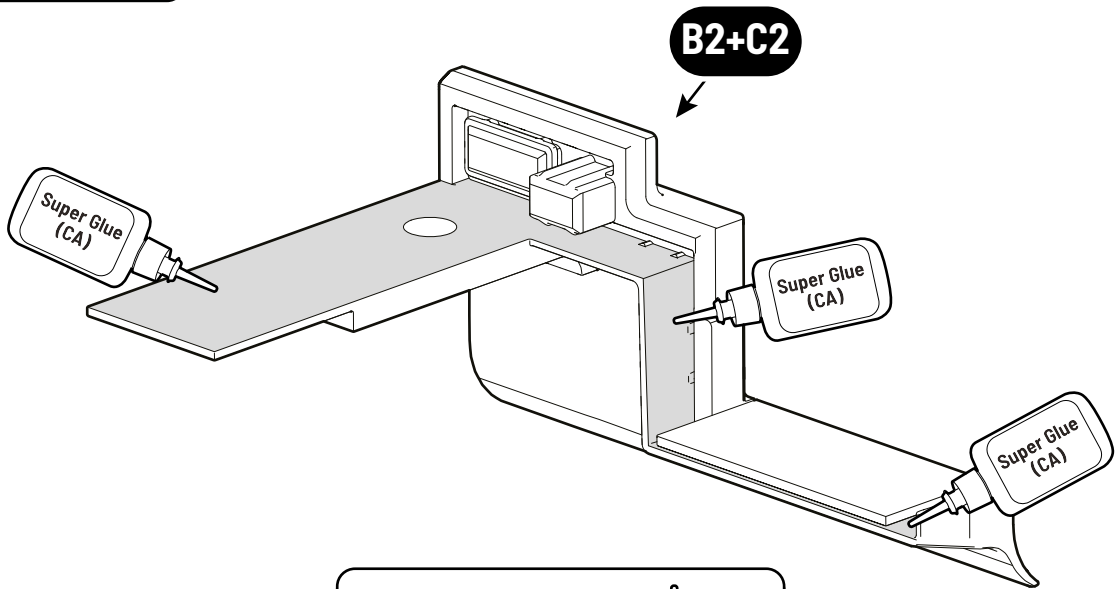


Ford Wildtrak





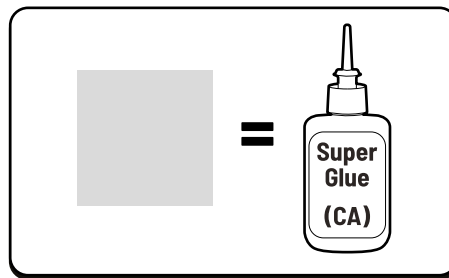
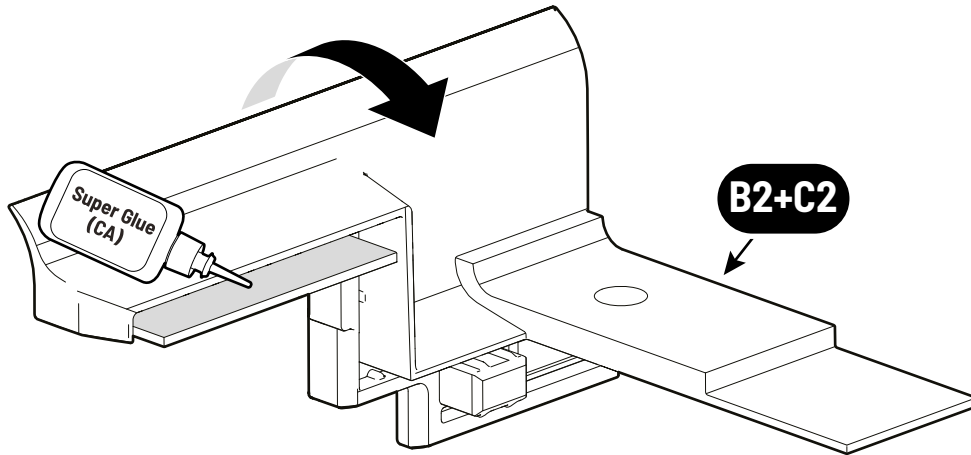
 **Super Glue (CA)**



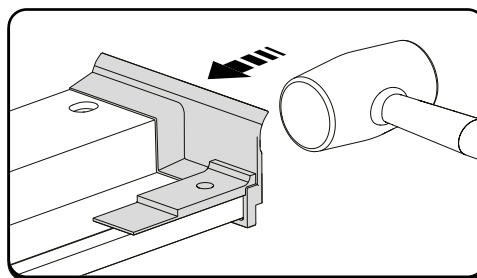
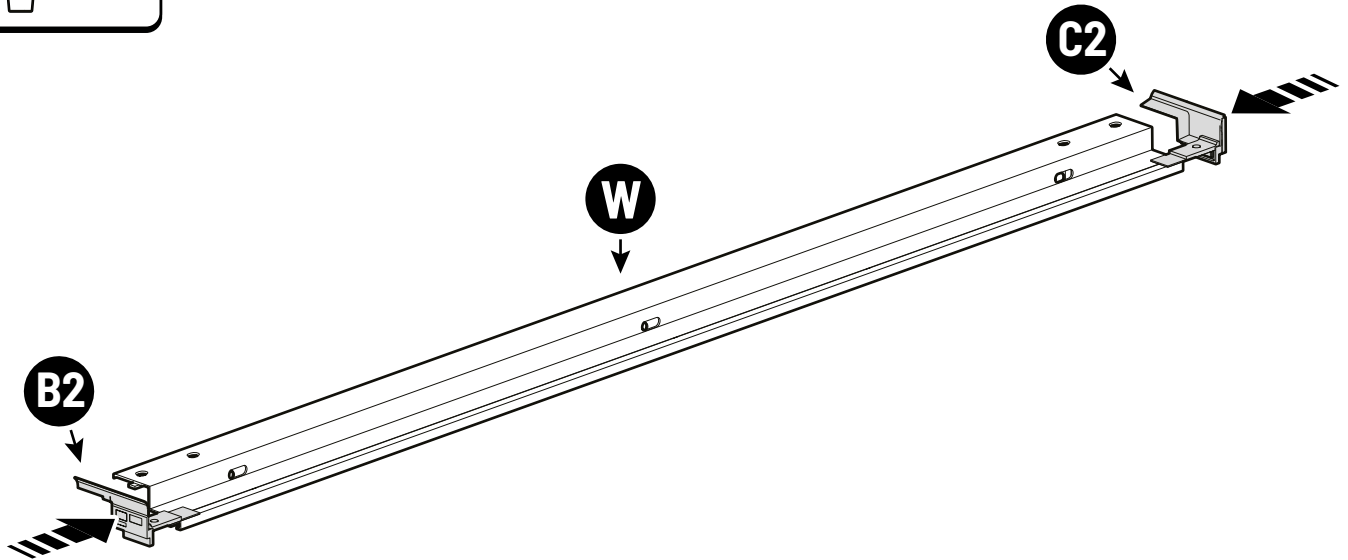


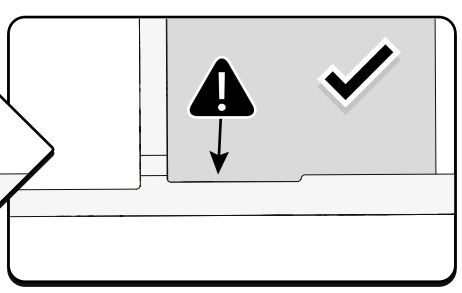
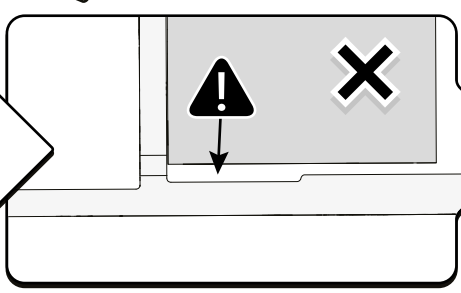
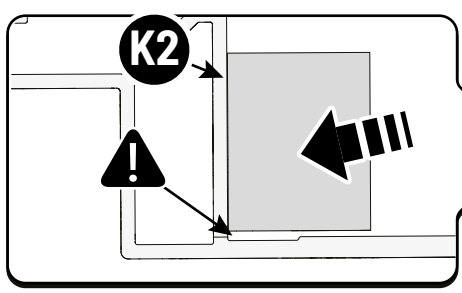
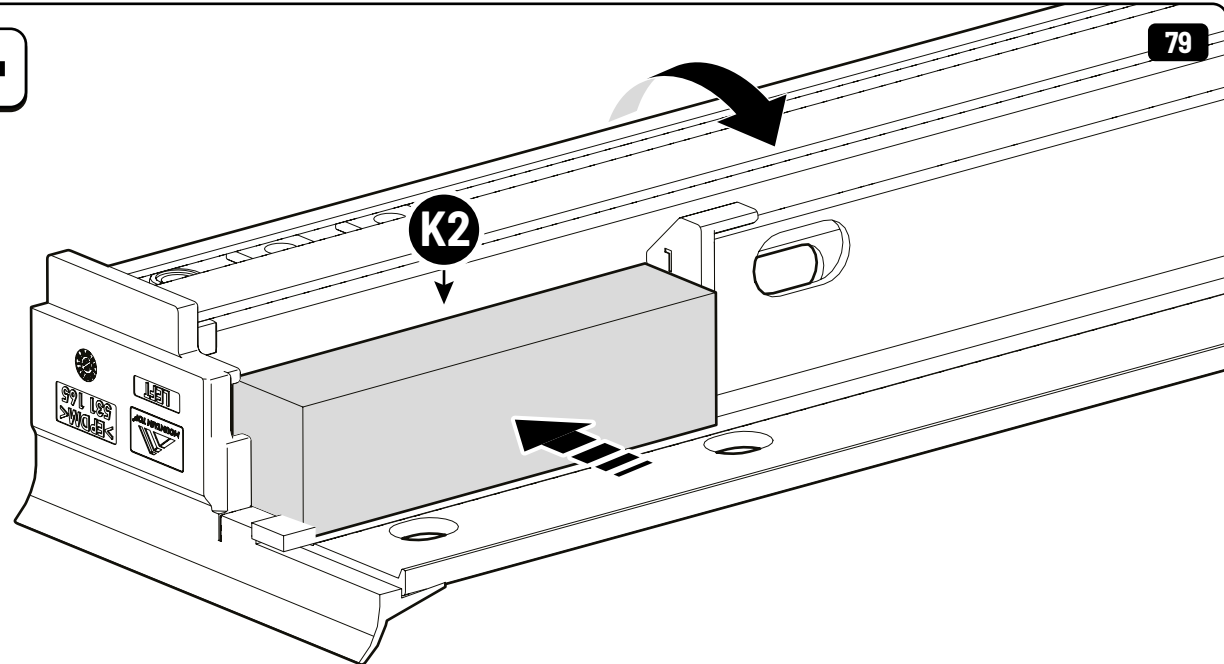
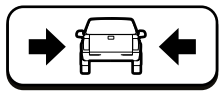
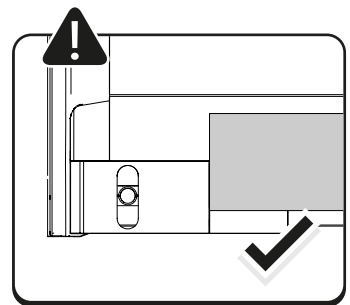
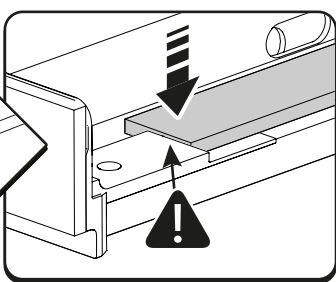
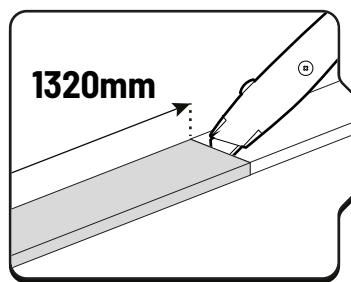
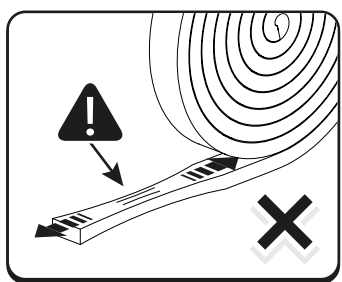
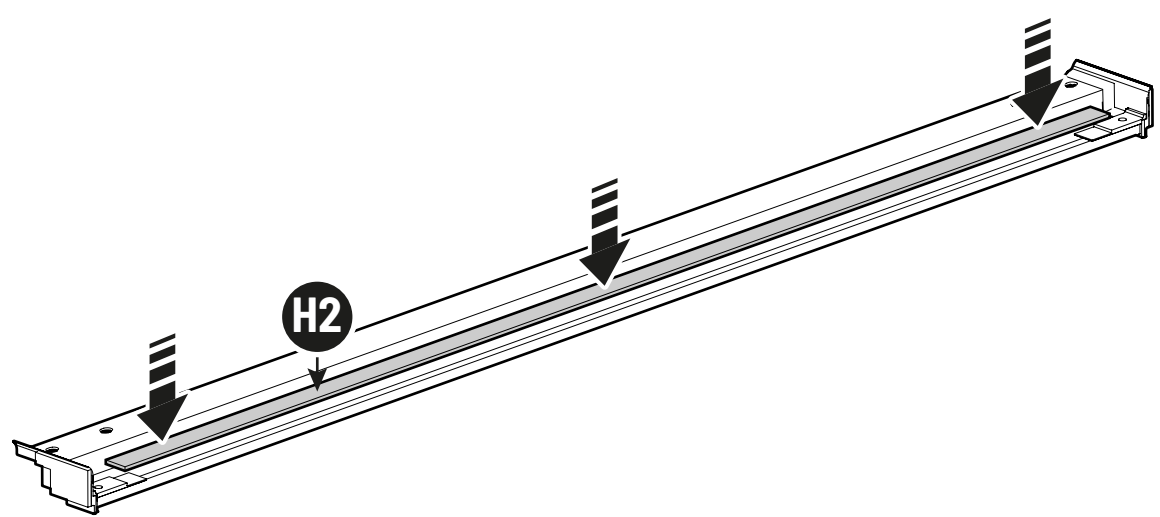
Super Glue (CA)

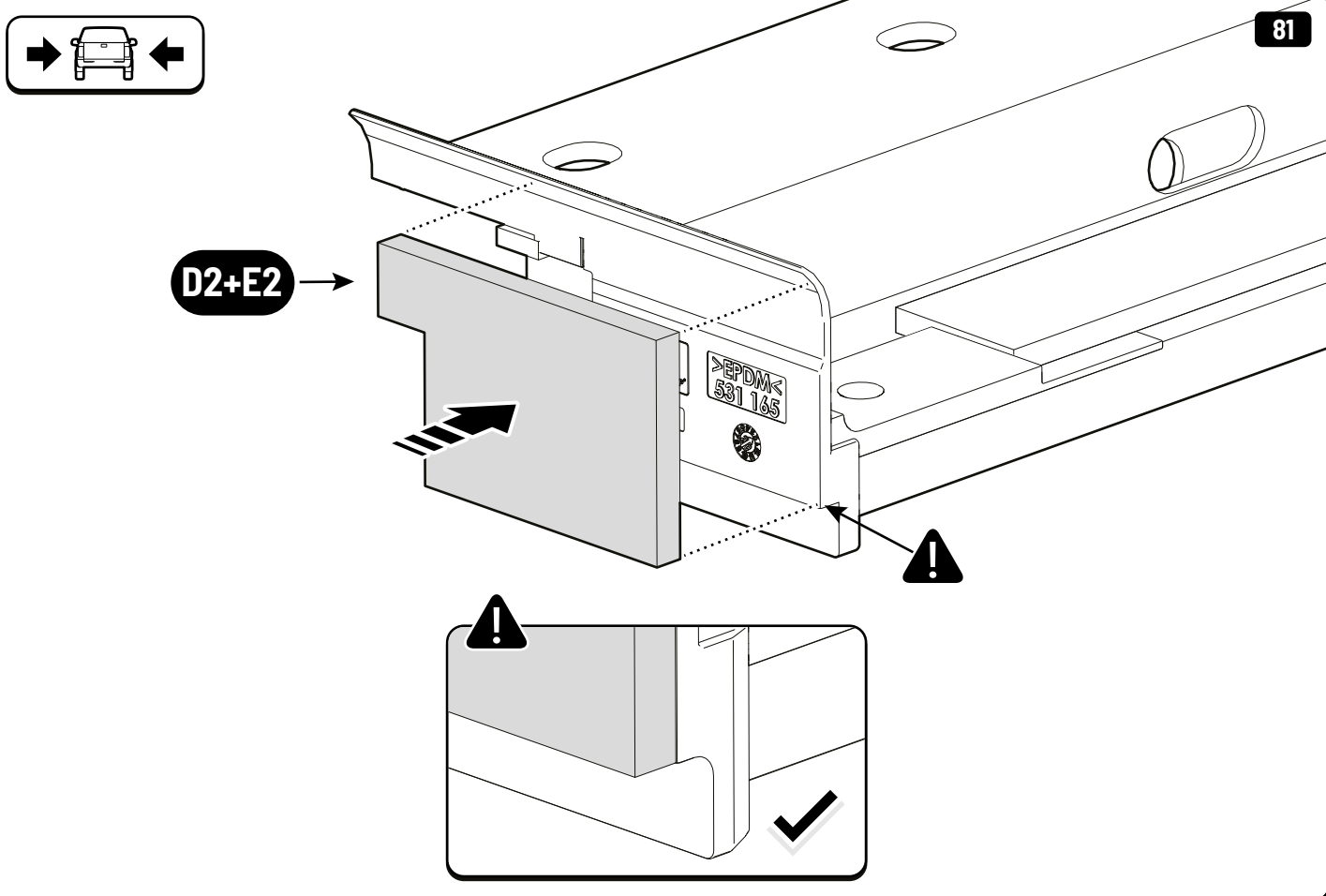
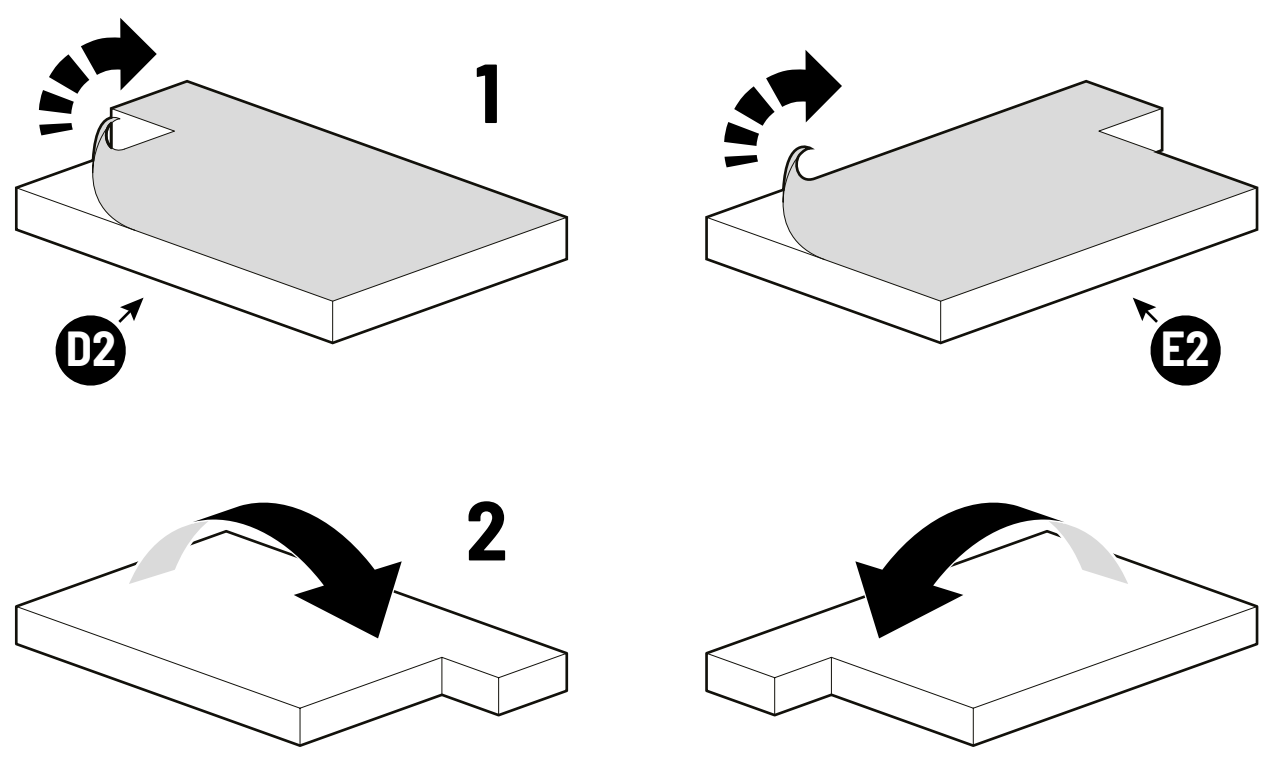
76

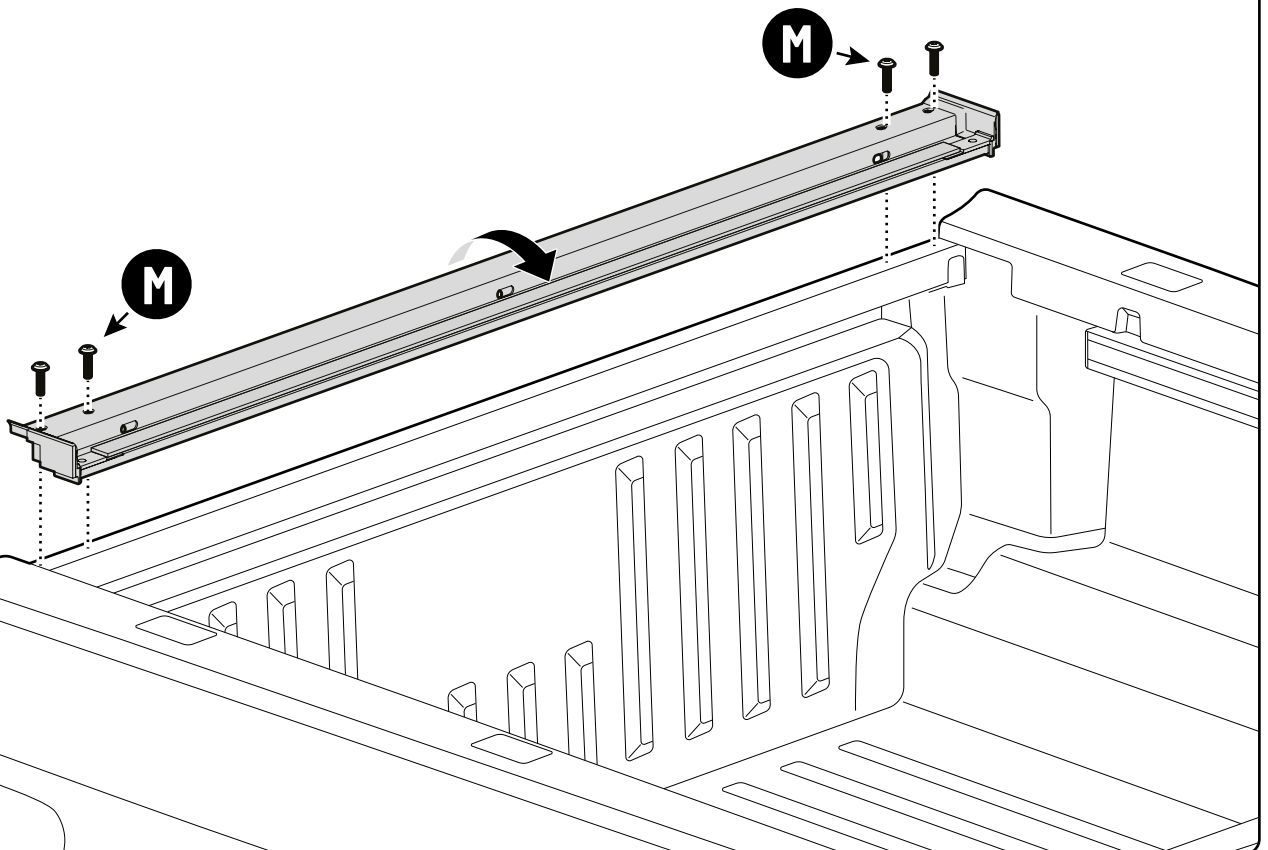
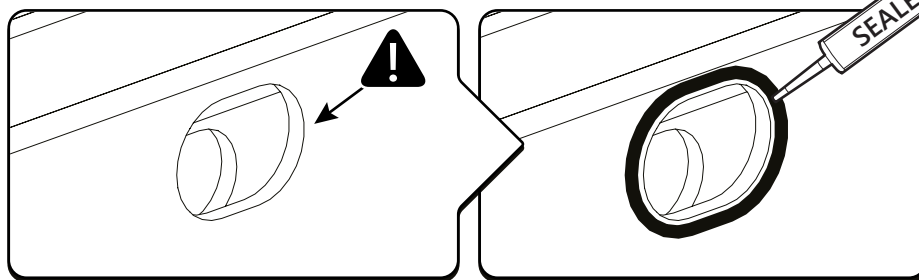
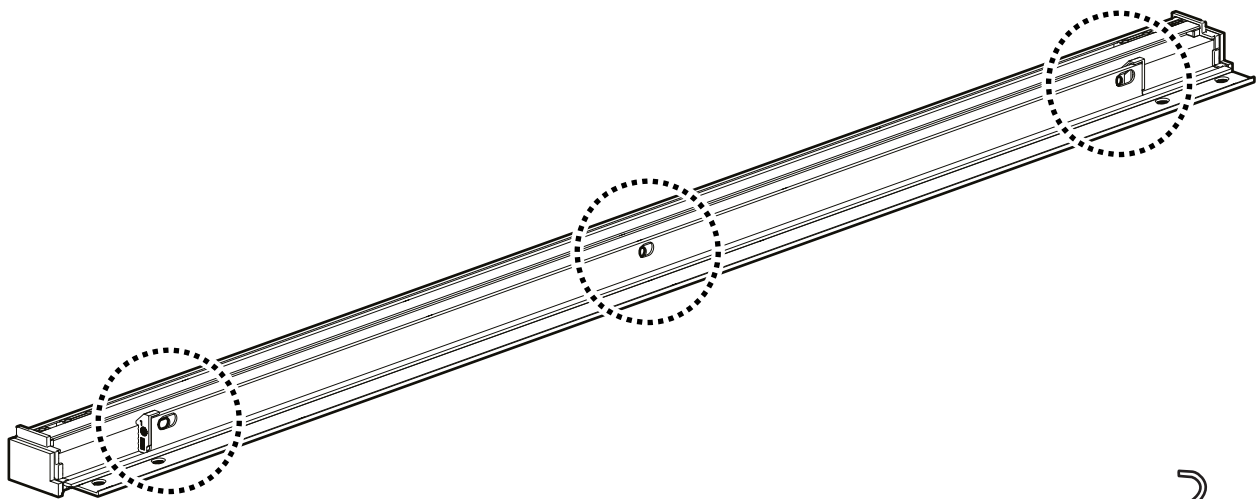


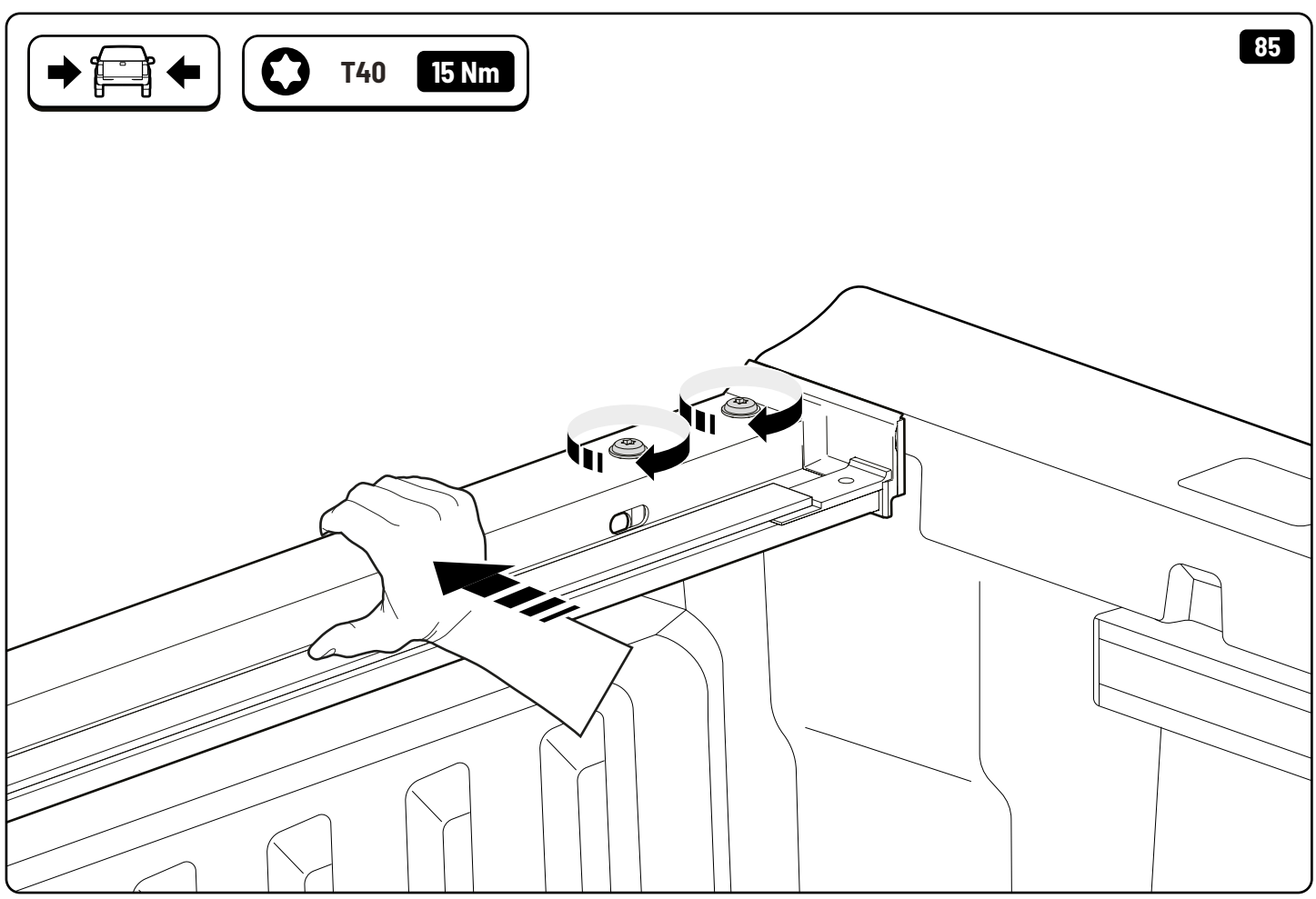
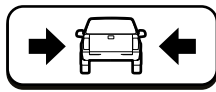
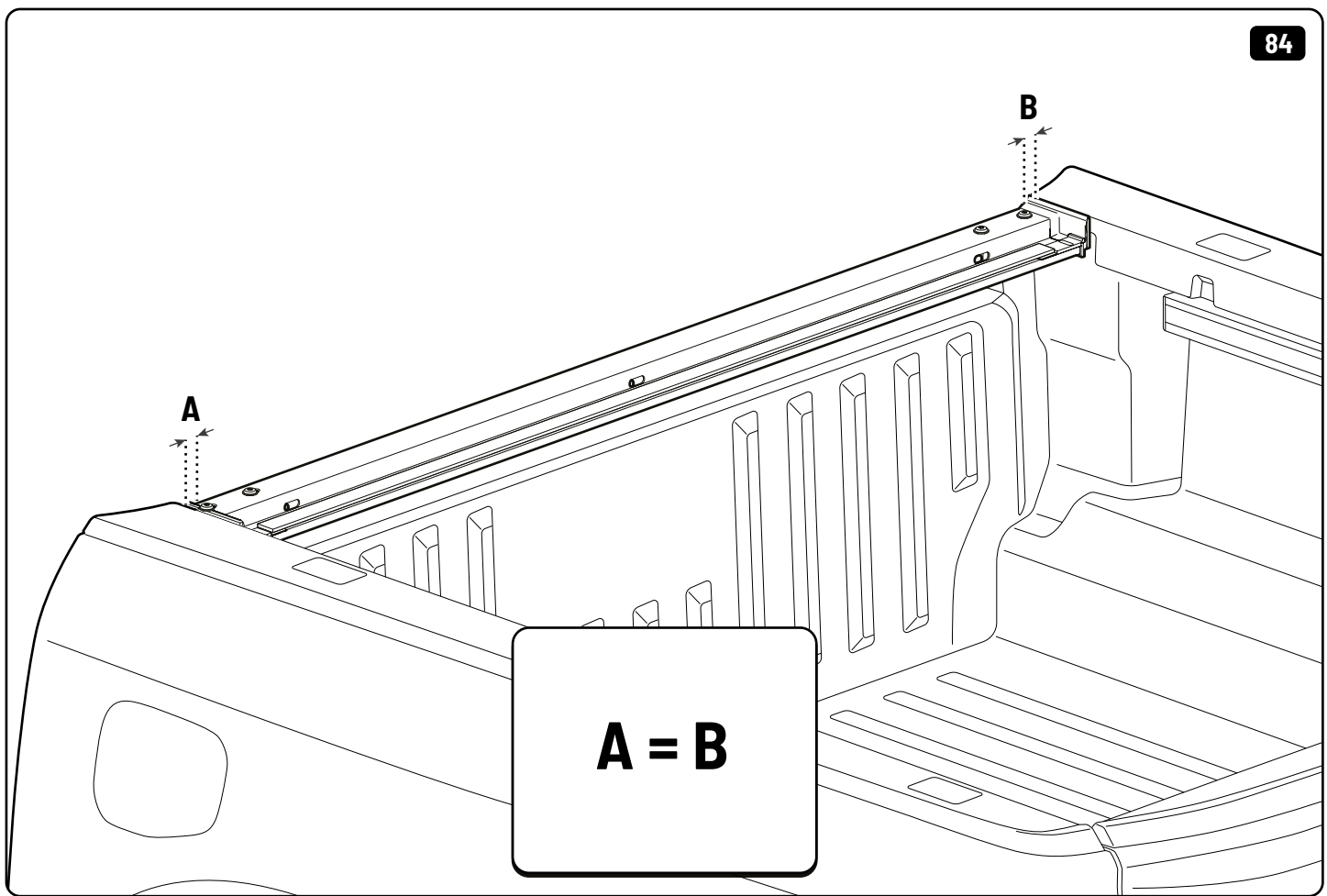
77

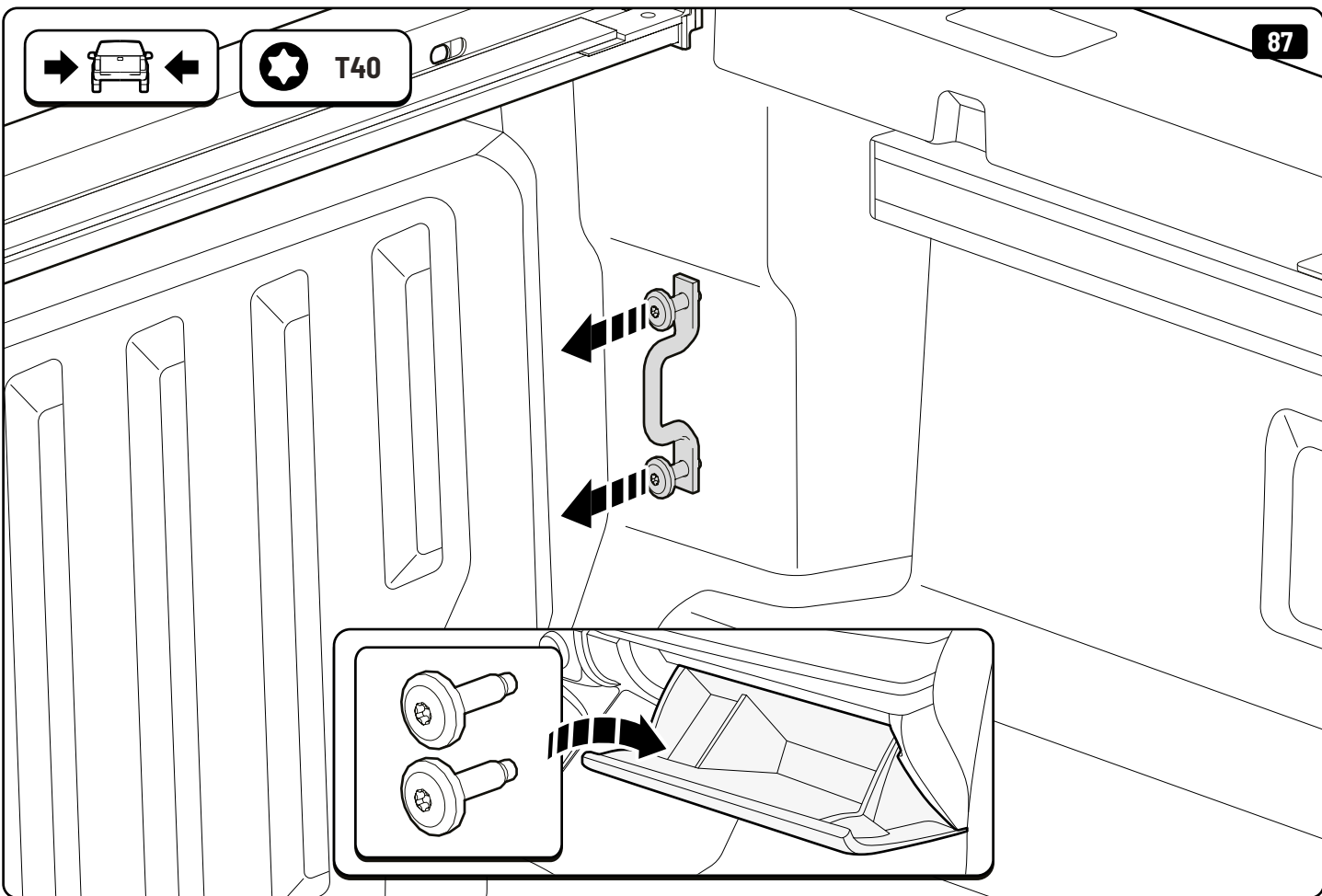
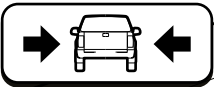
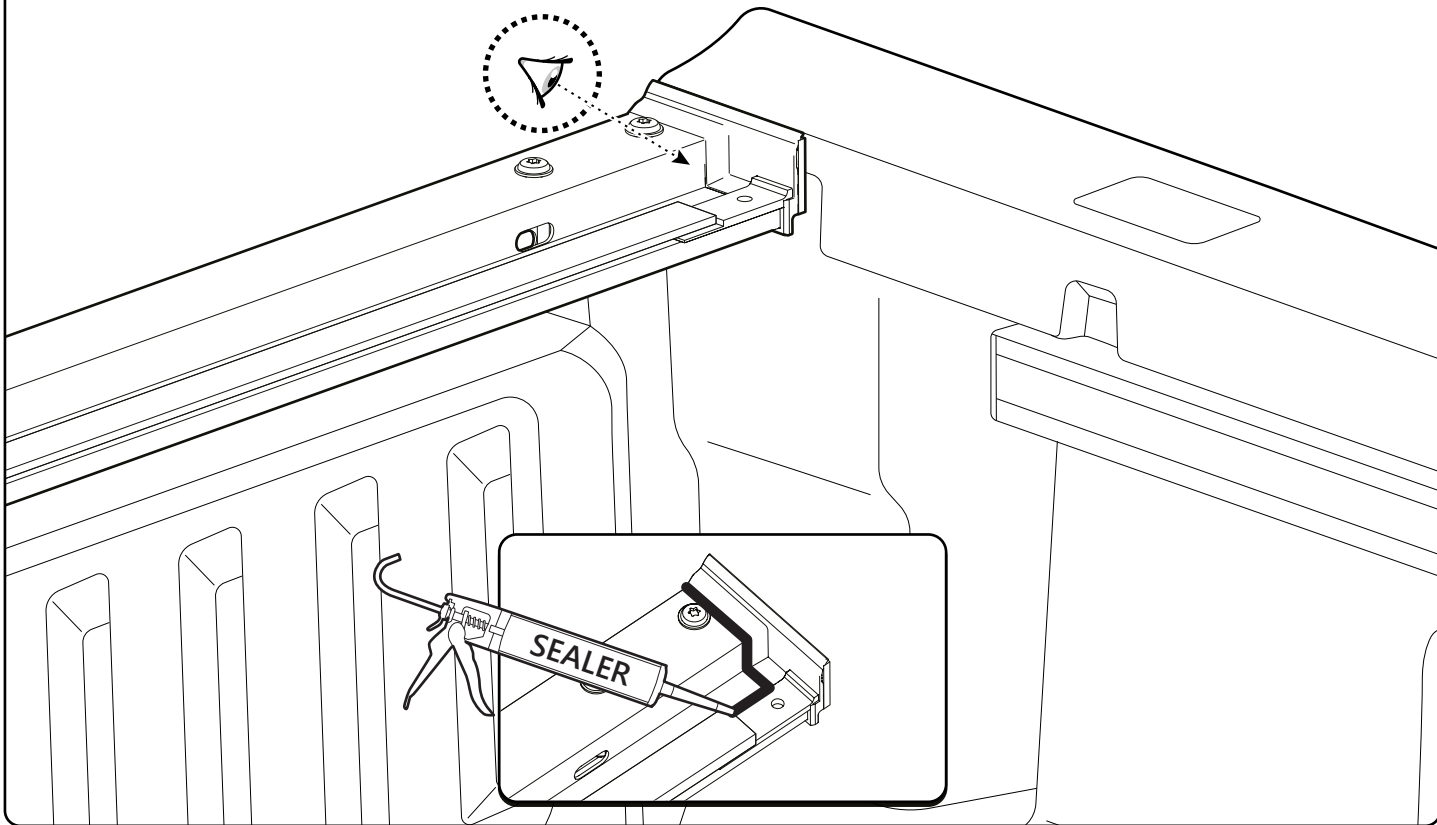
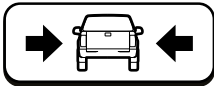


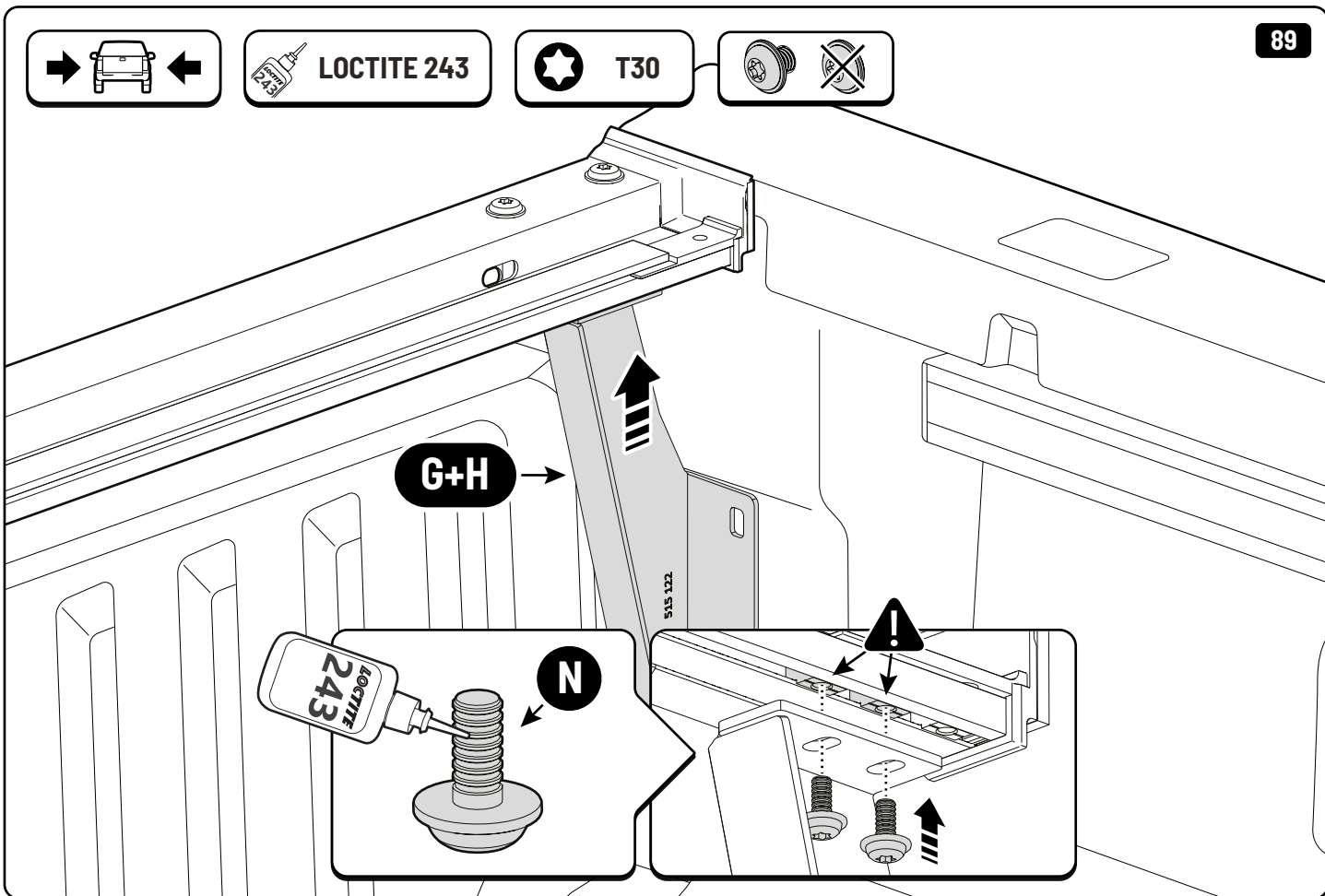
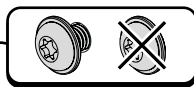
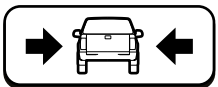
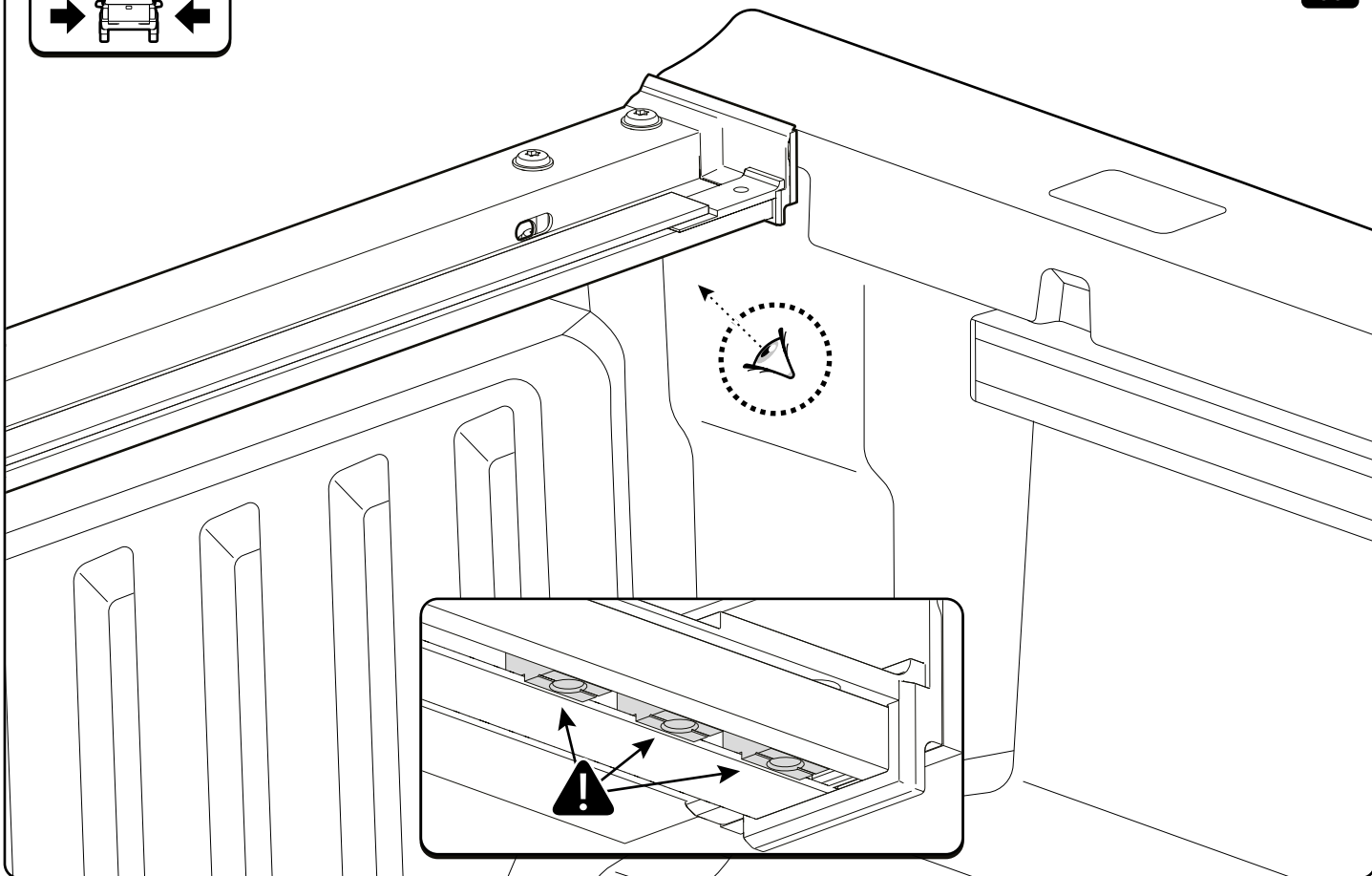
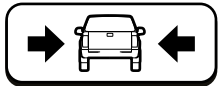


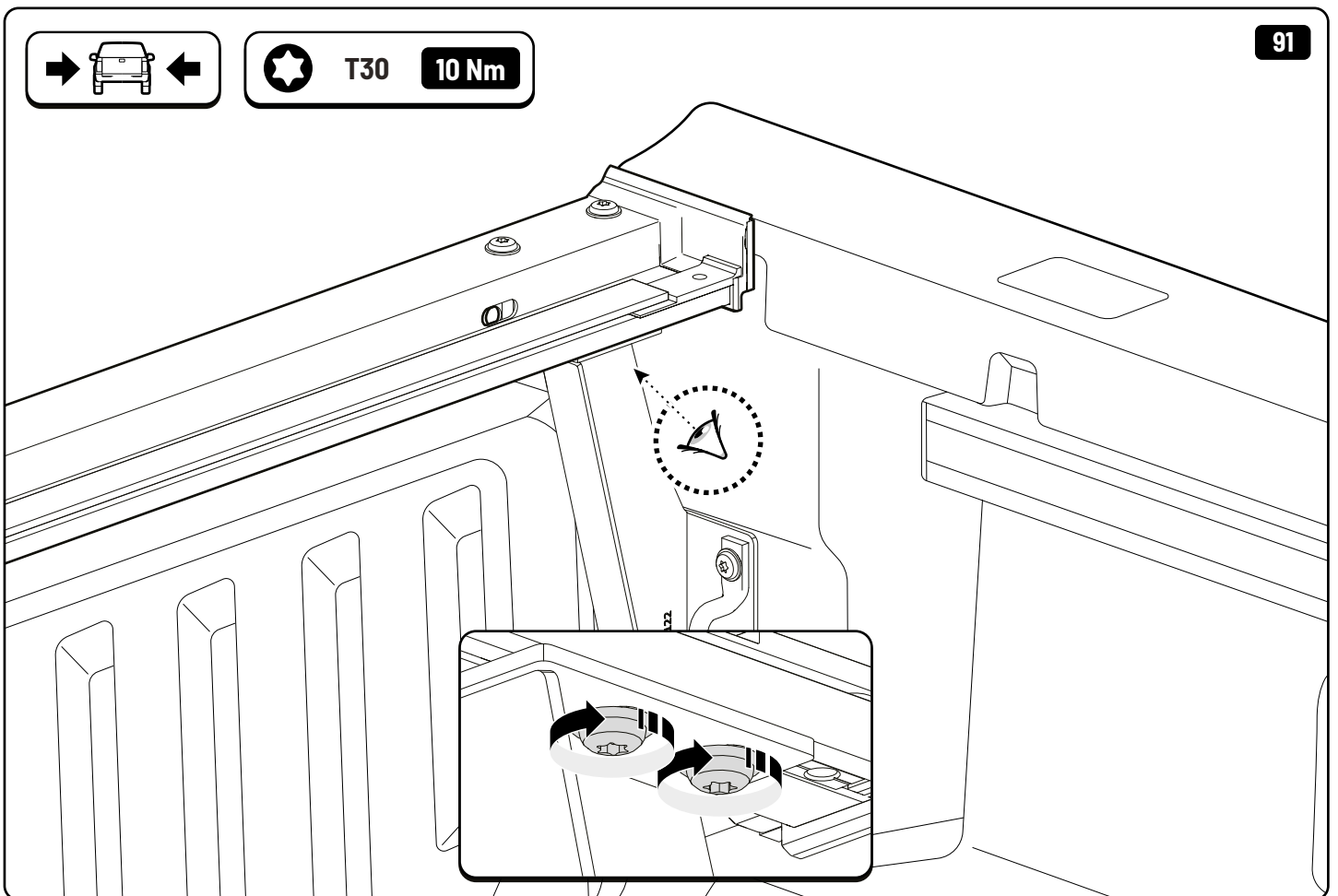
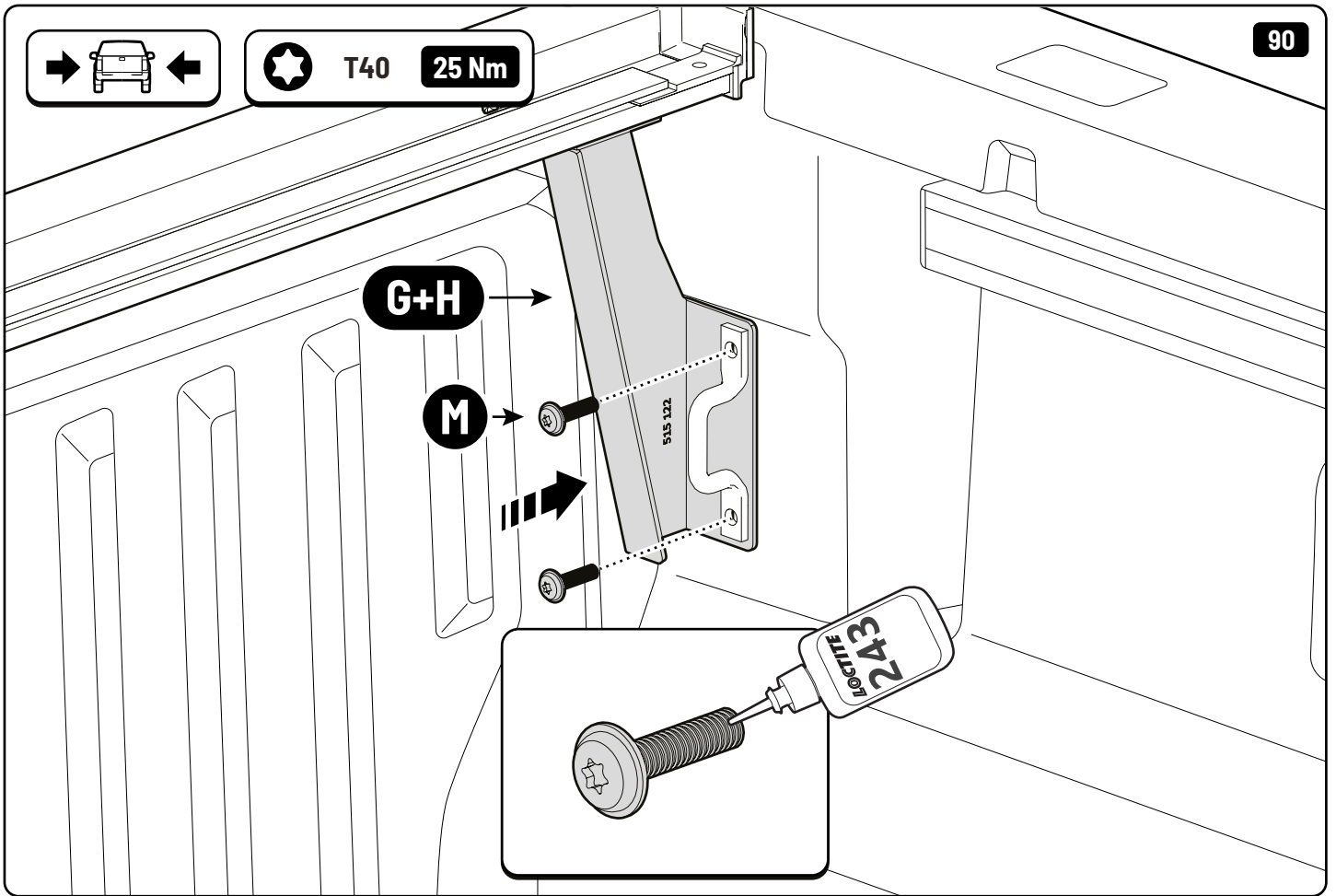


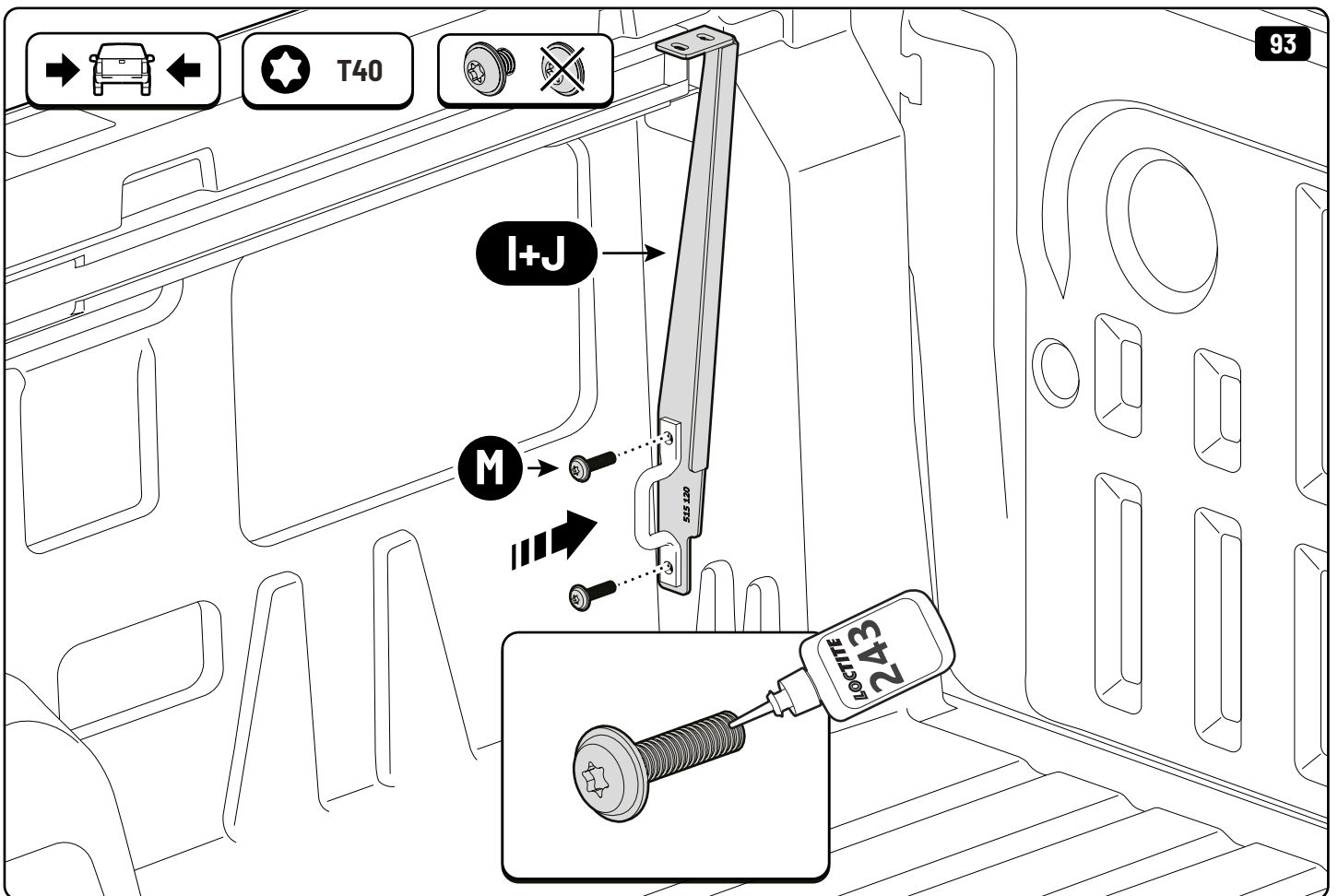
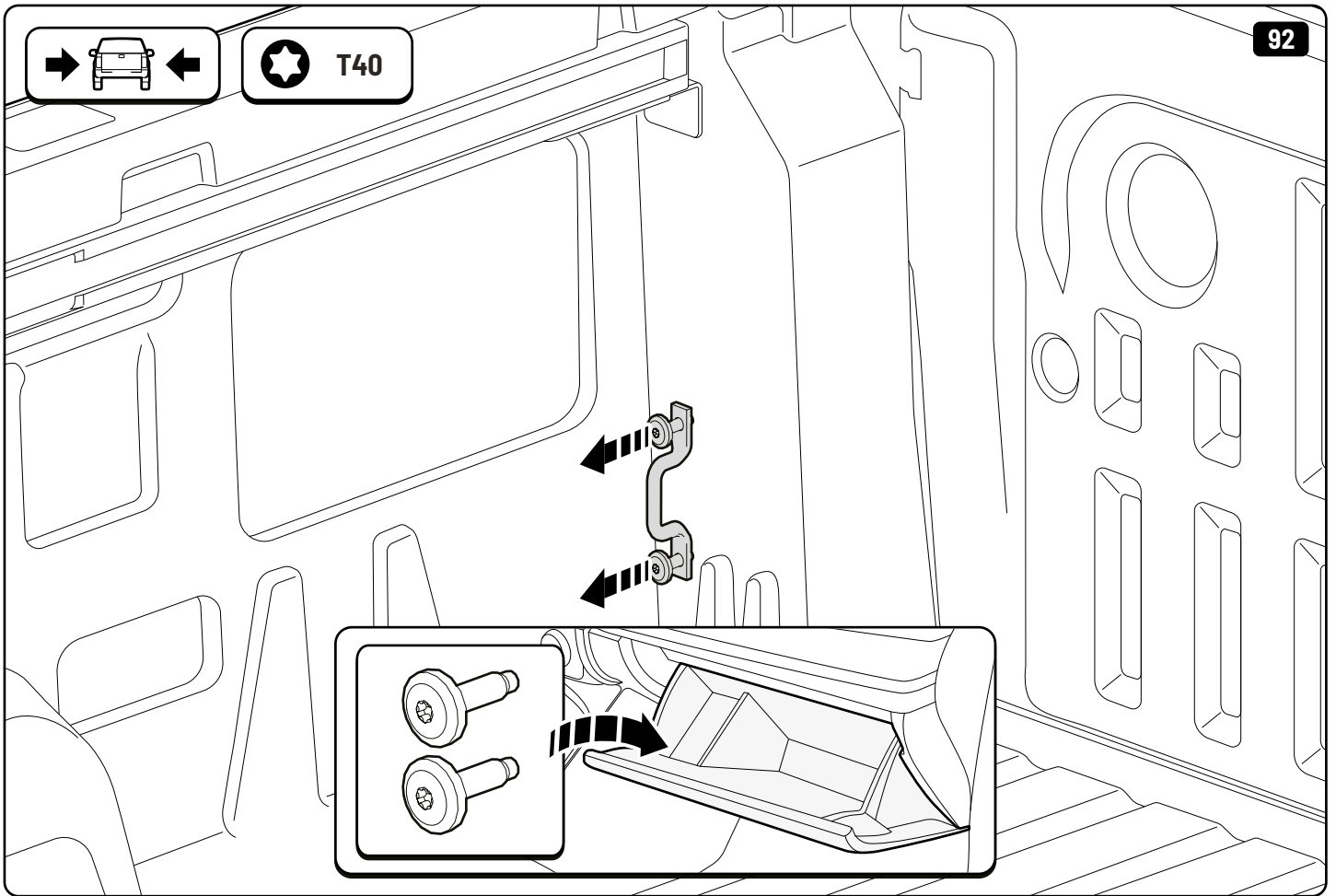


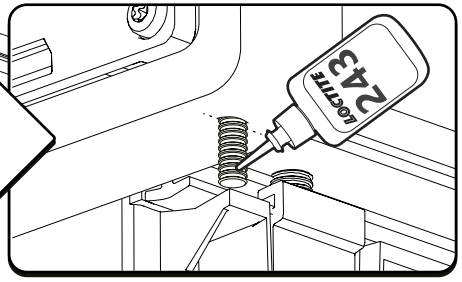
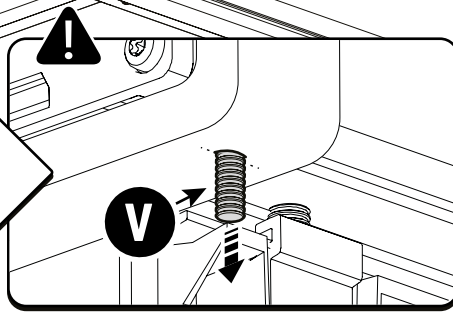
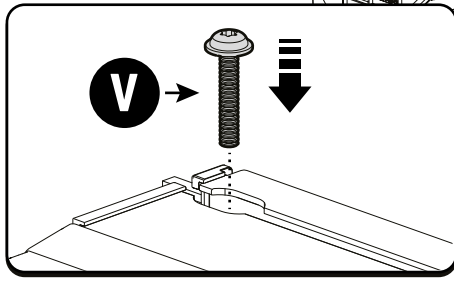
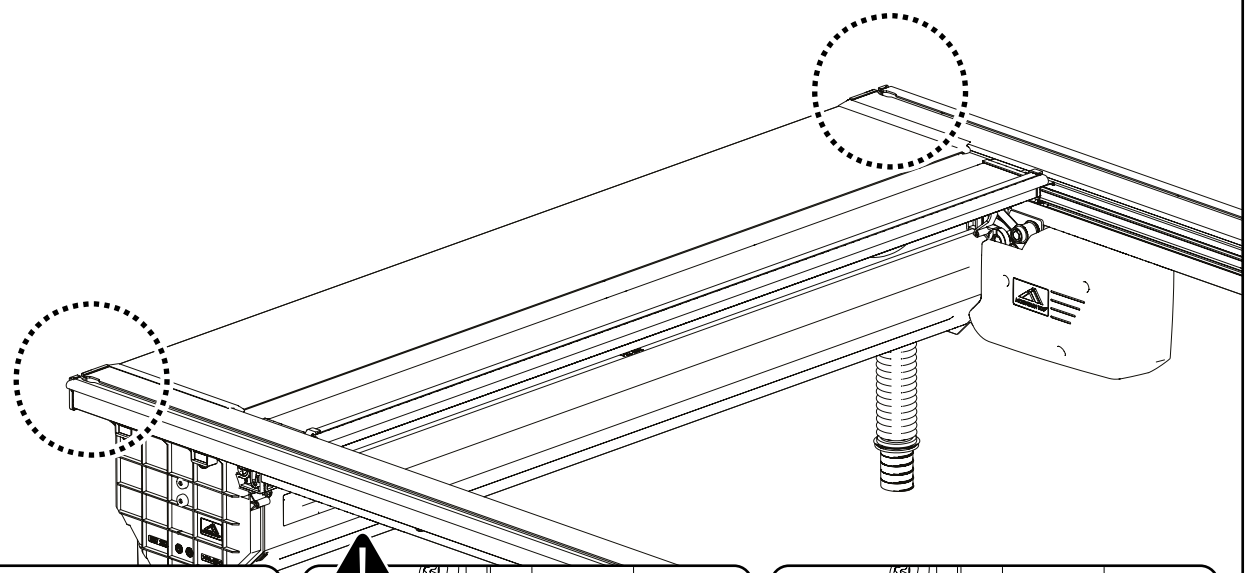
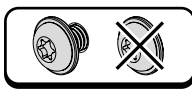
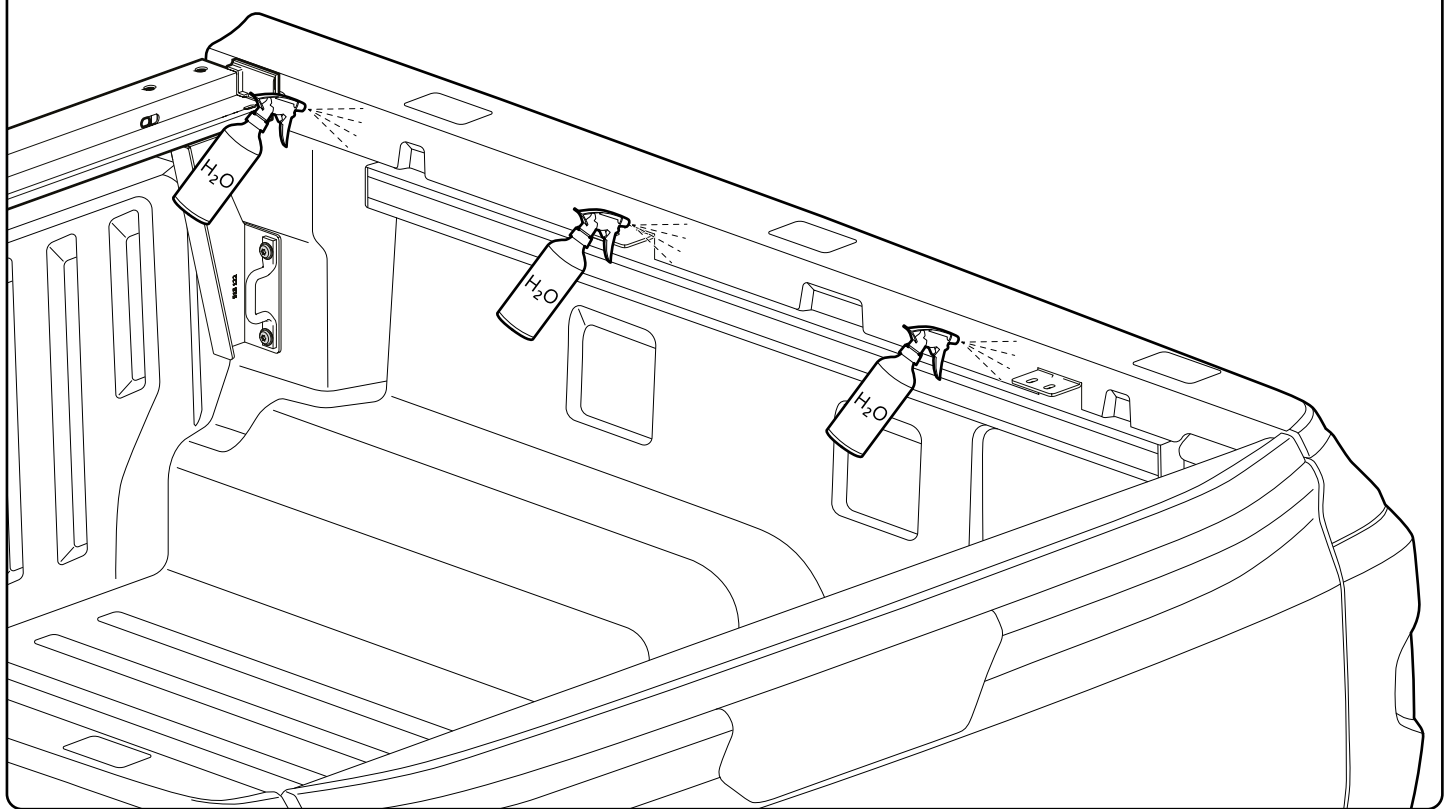
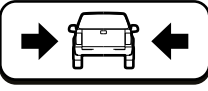


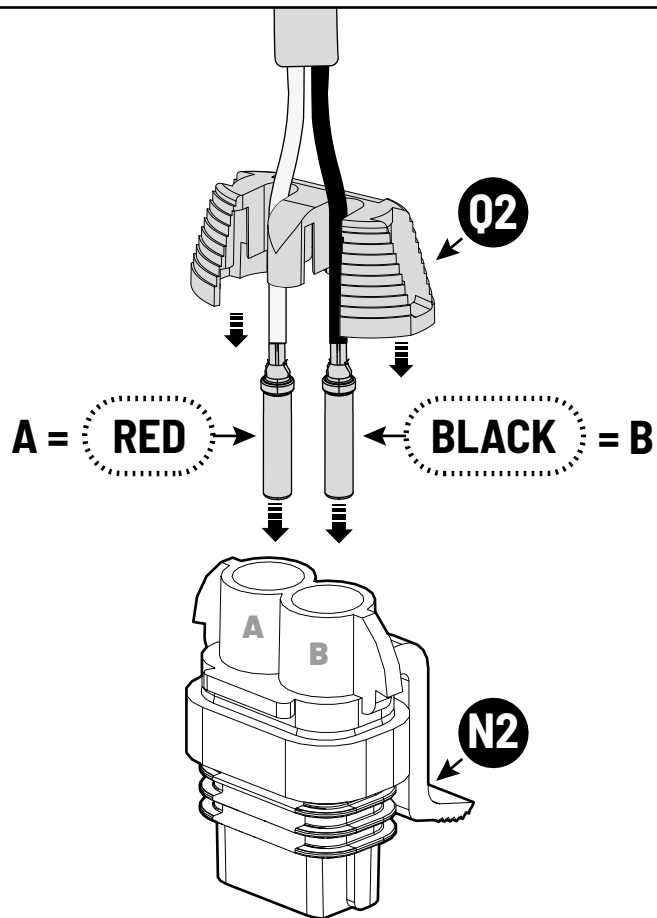
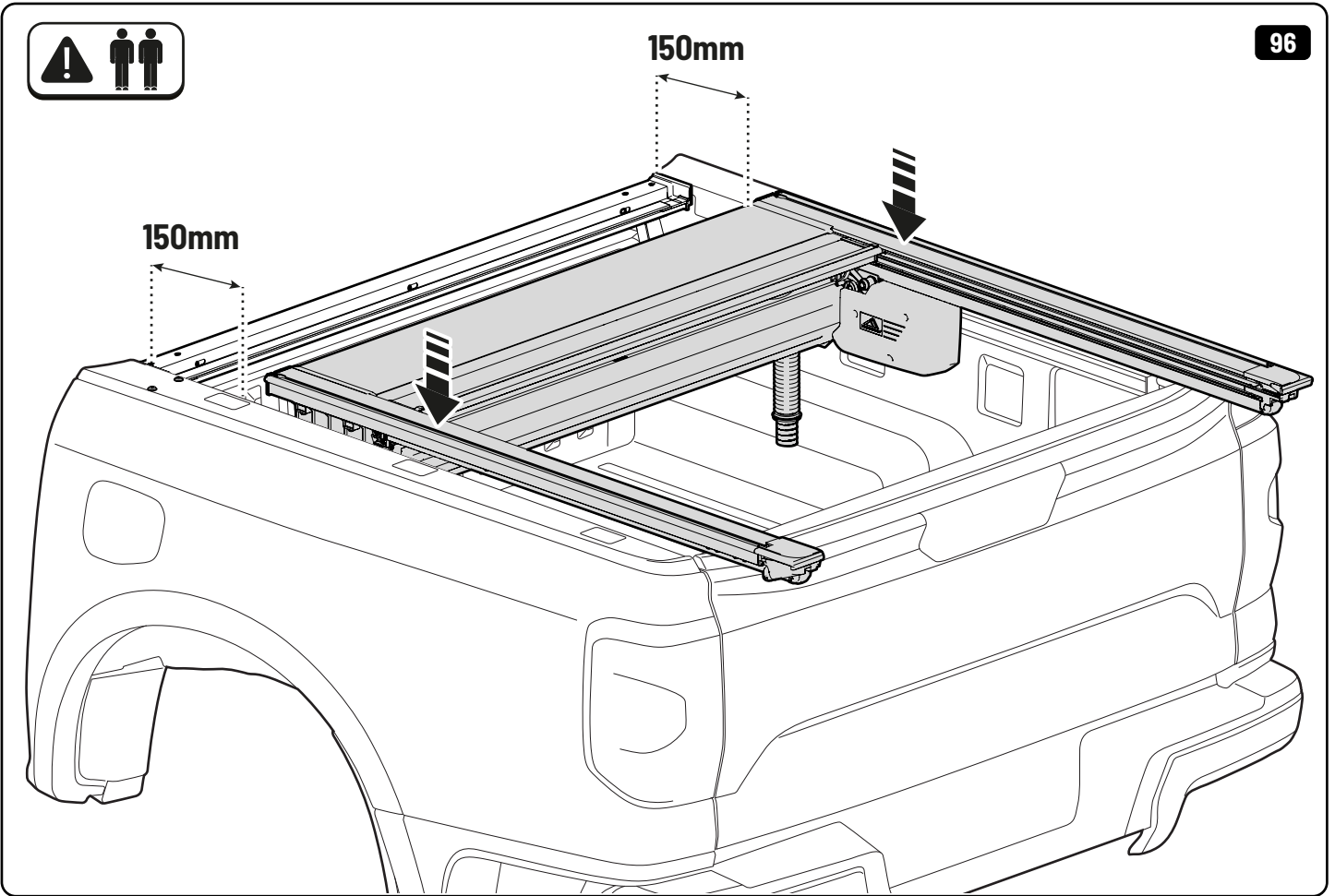


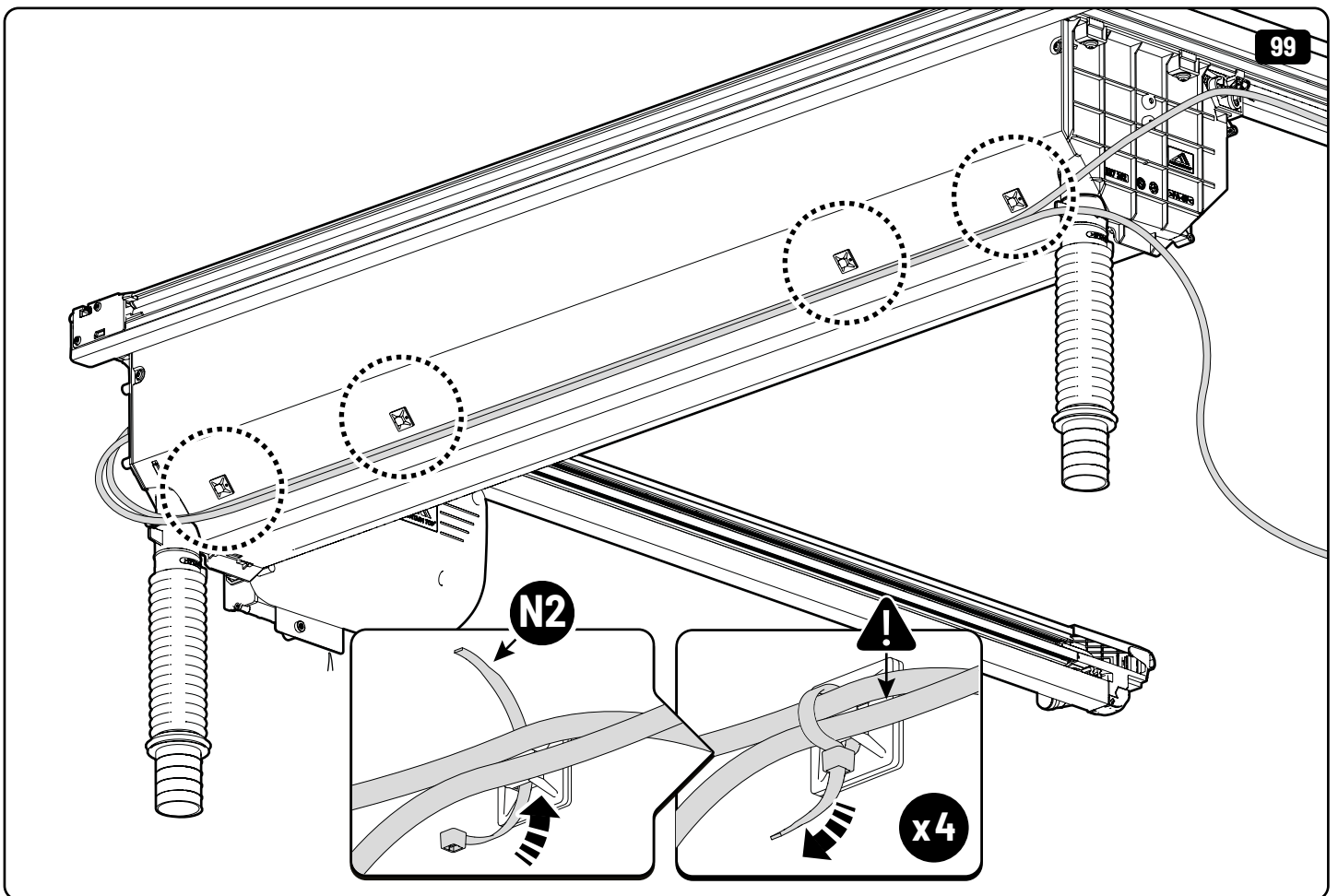
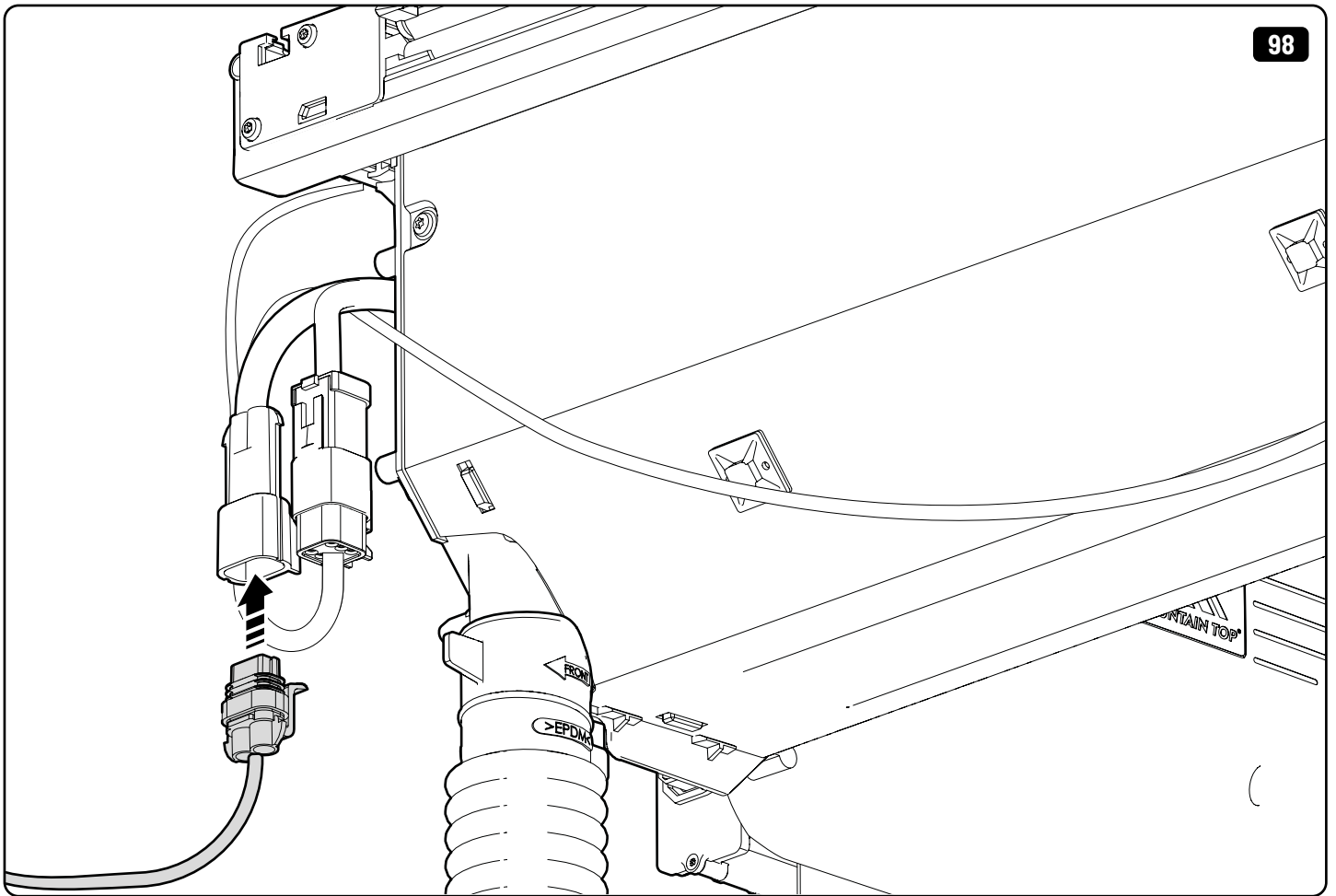


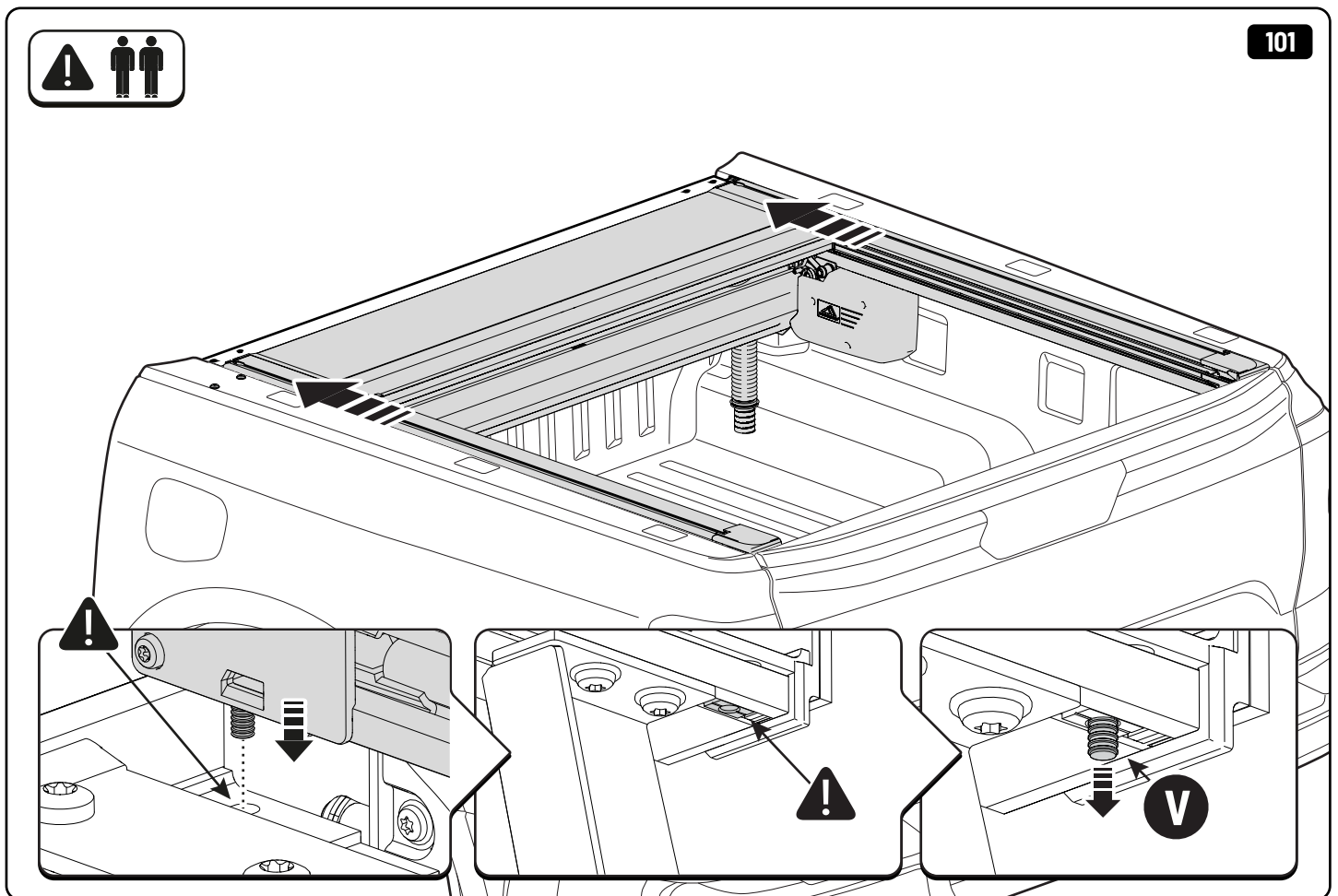
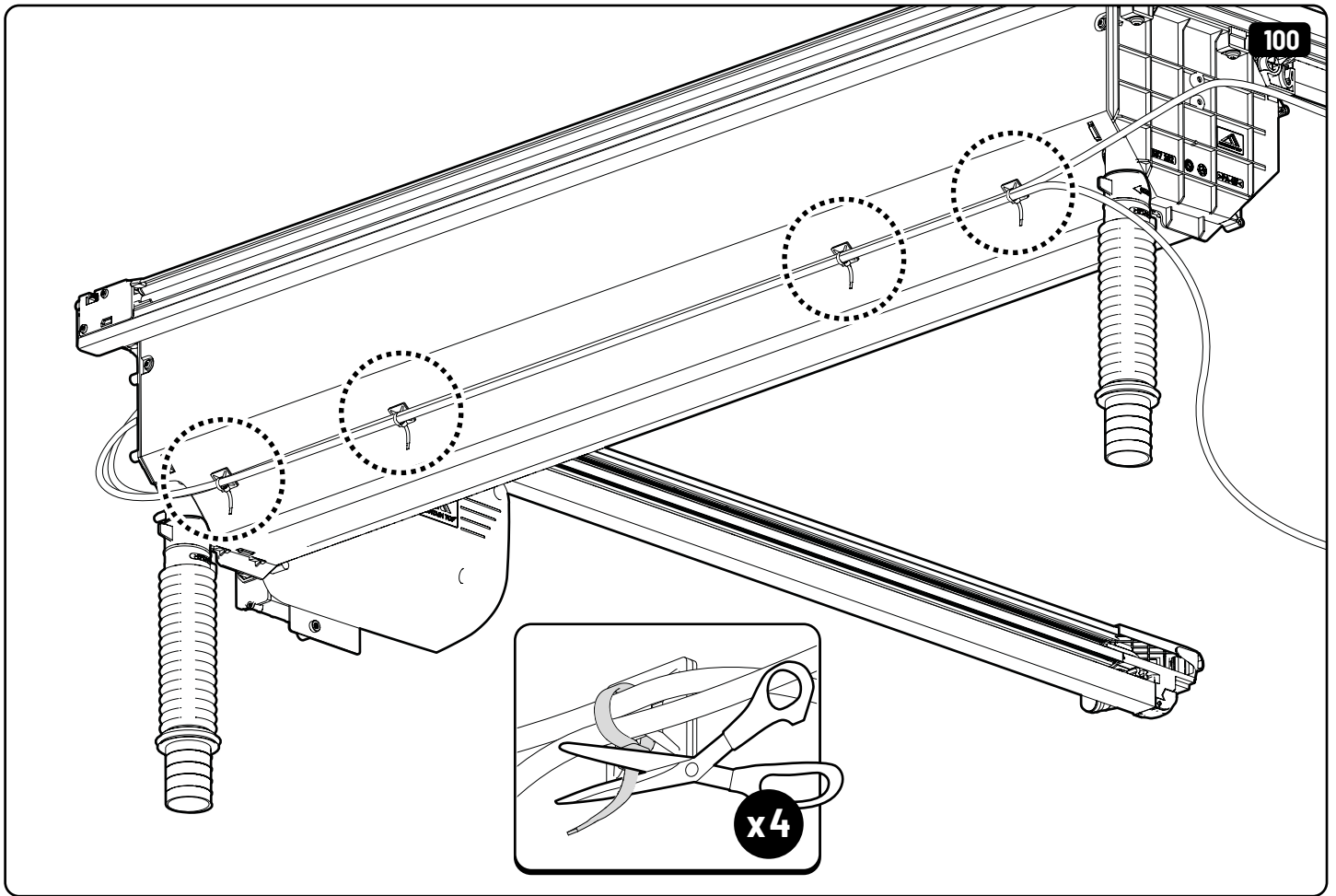


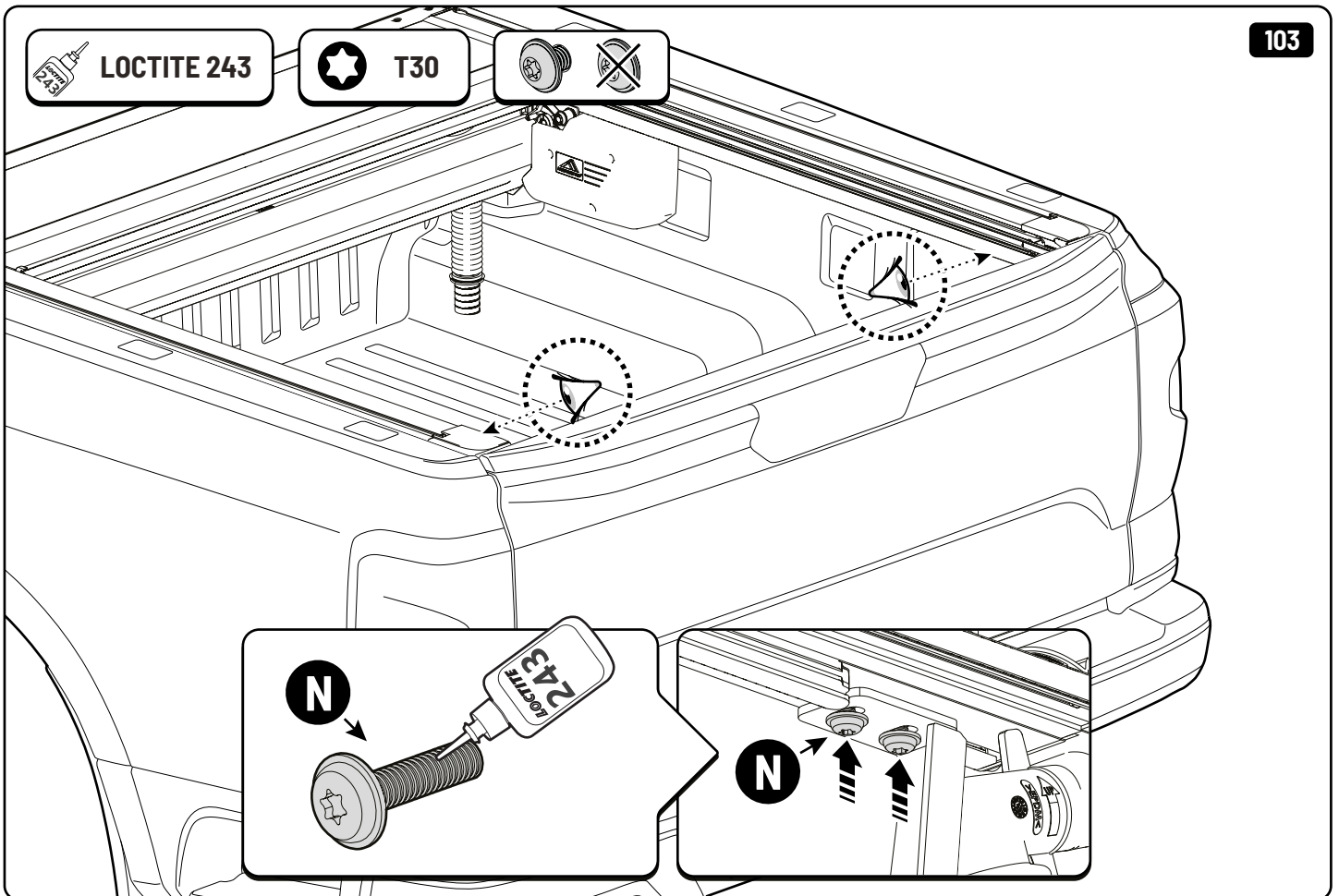
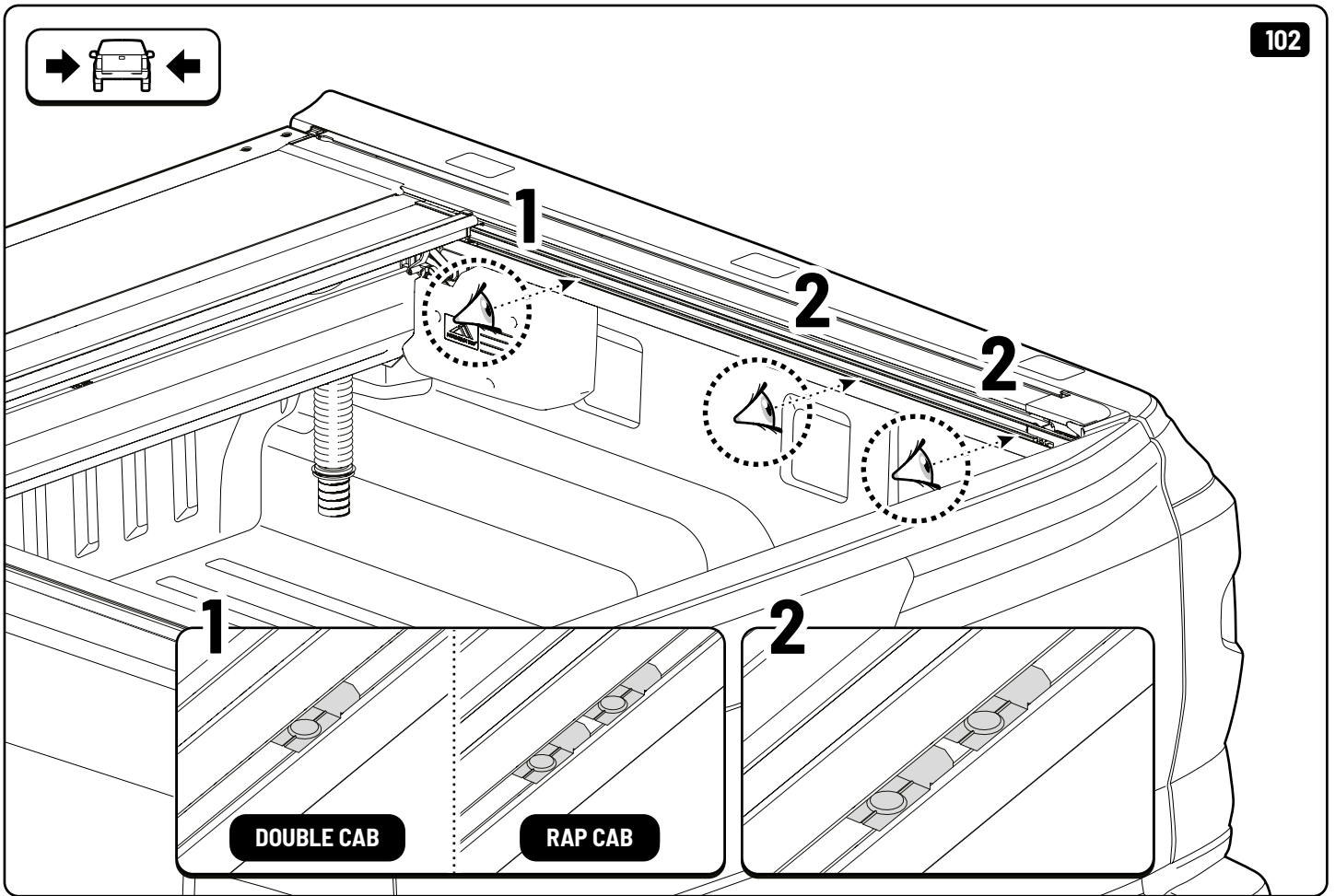
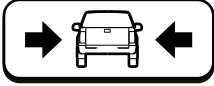










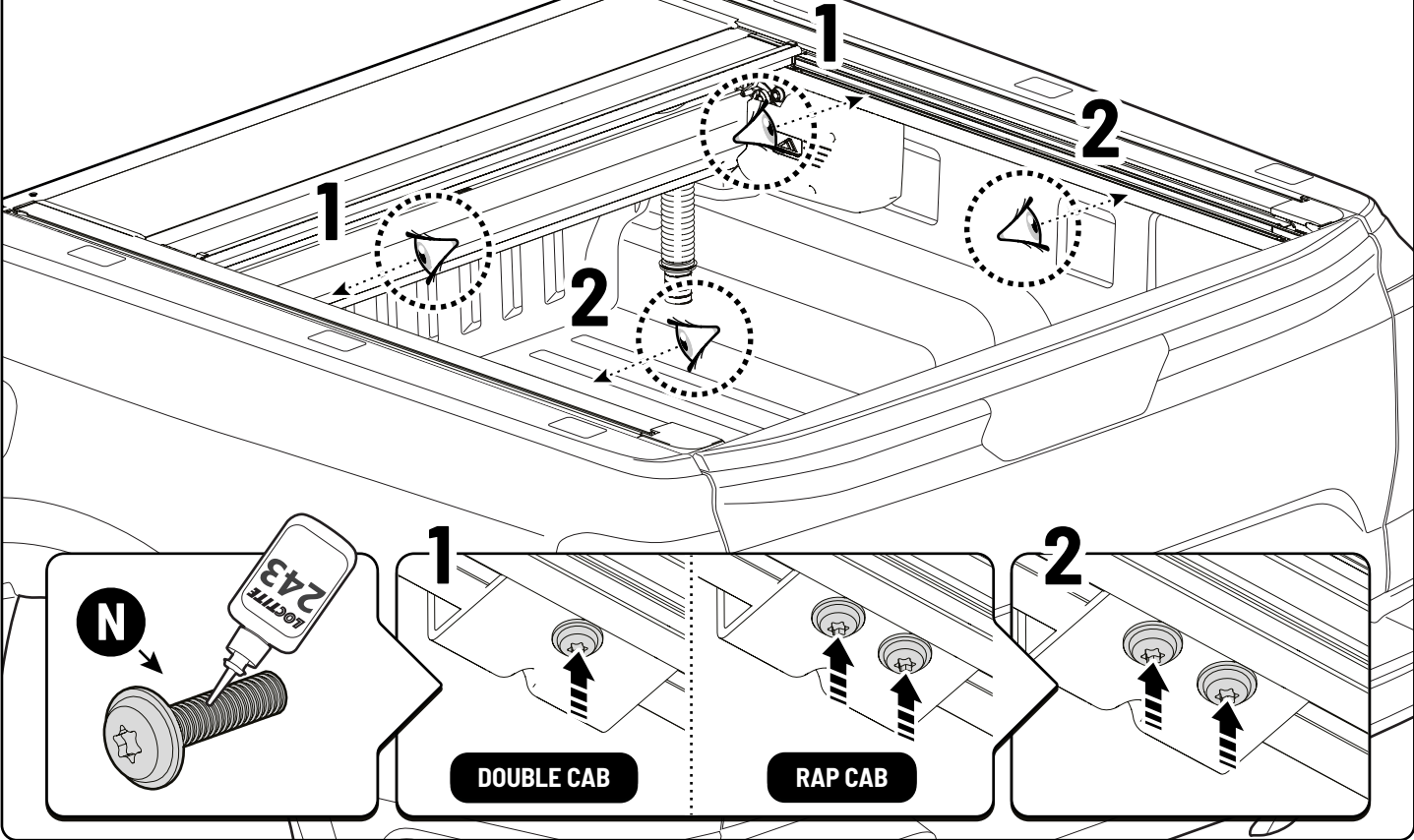


LOCTITE 243

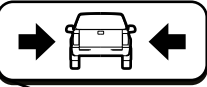
T30



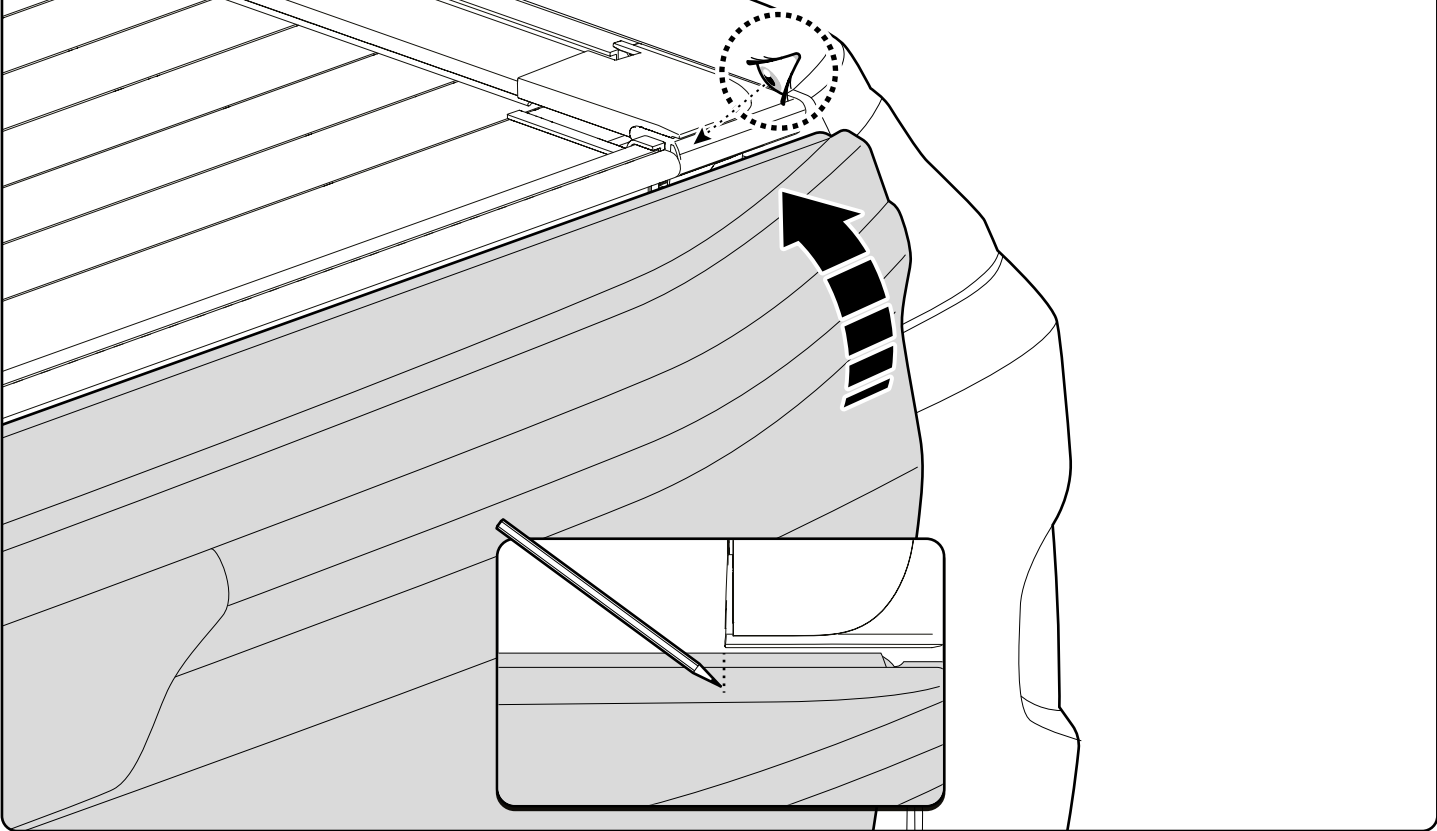
104



! ONLY FOR FORD RAPTOR / WILDTRAK



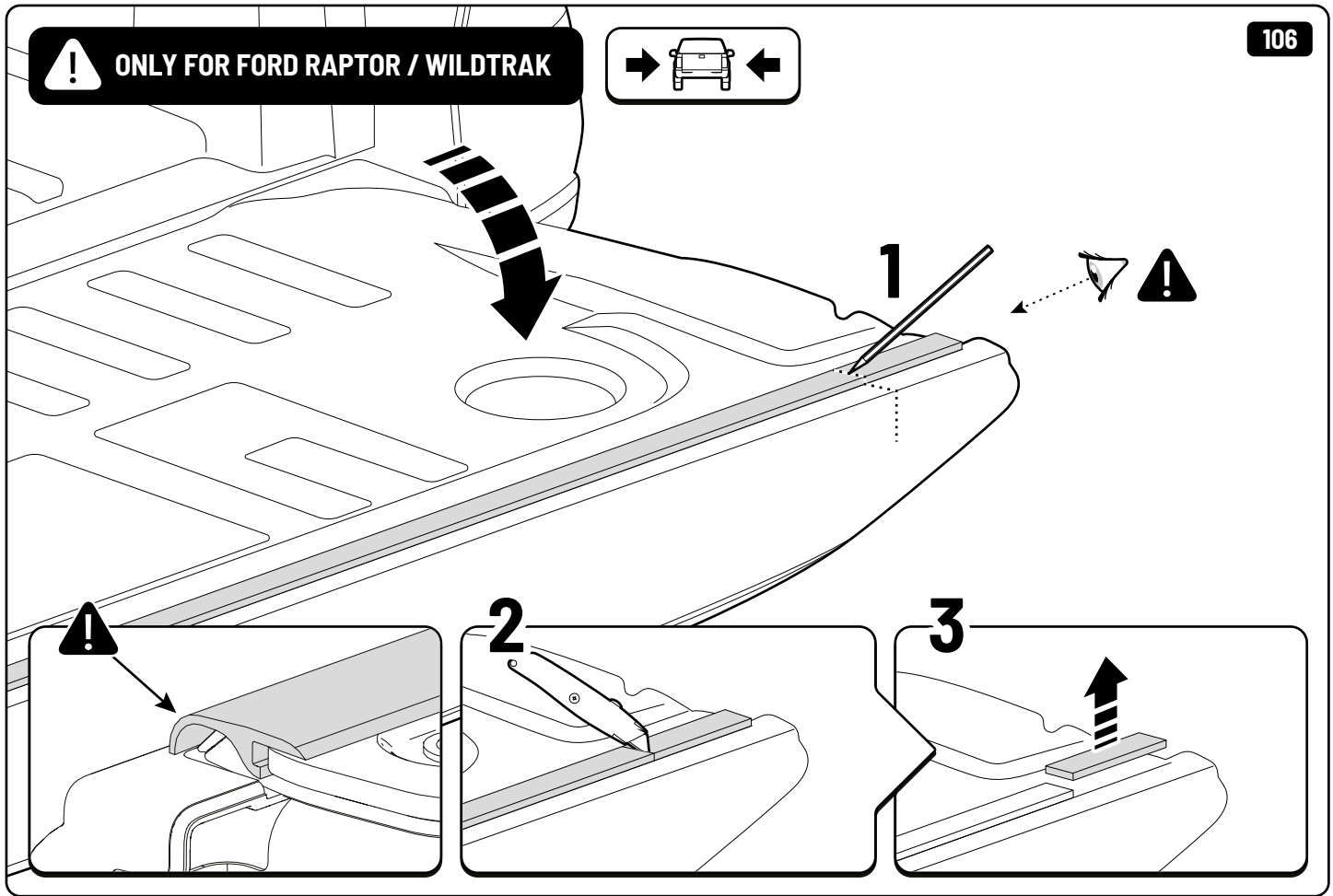
105



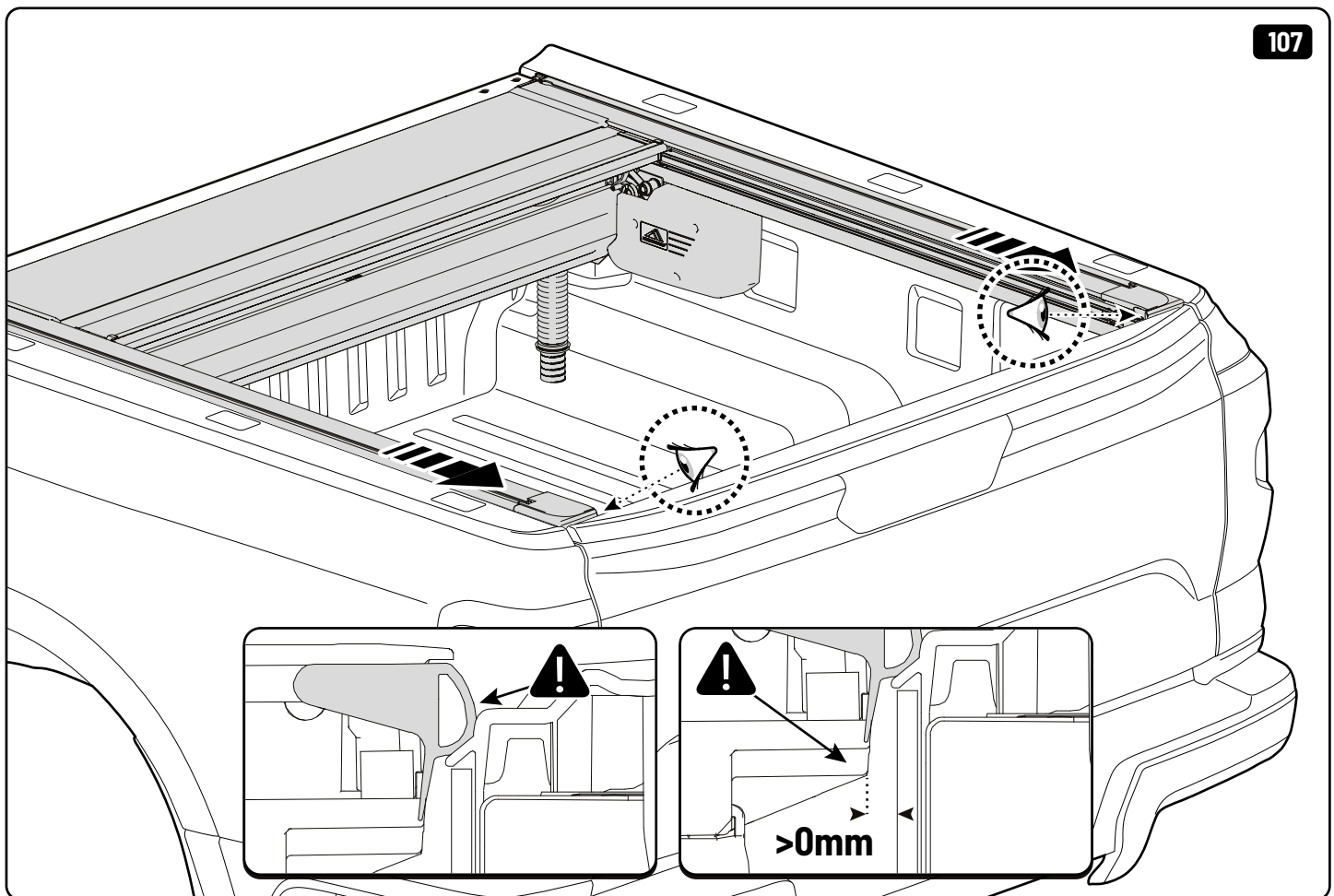
! ONLY FOR FORD RAPTOR / WILDTRAK

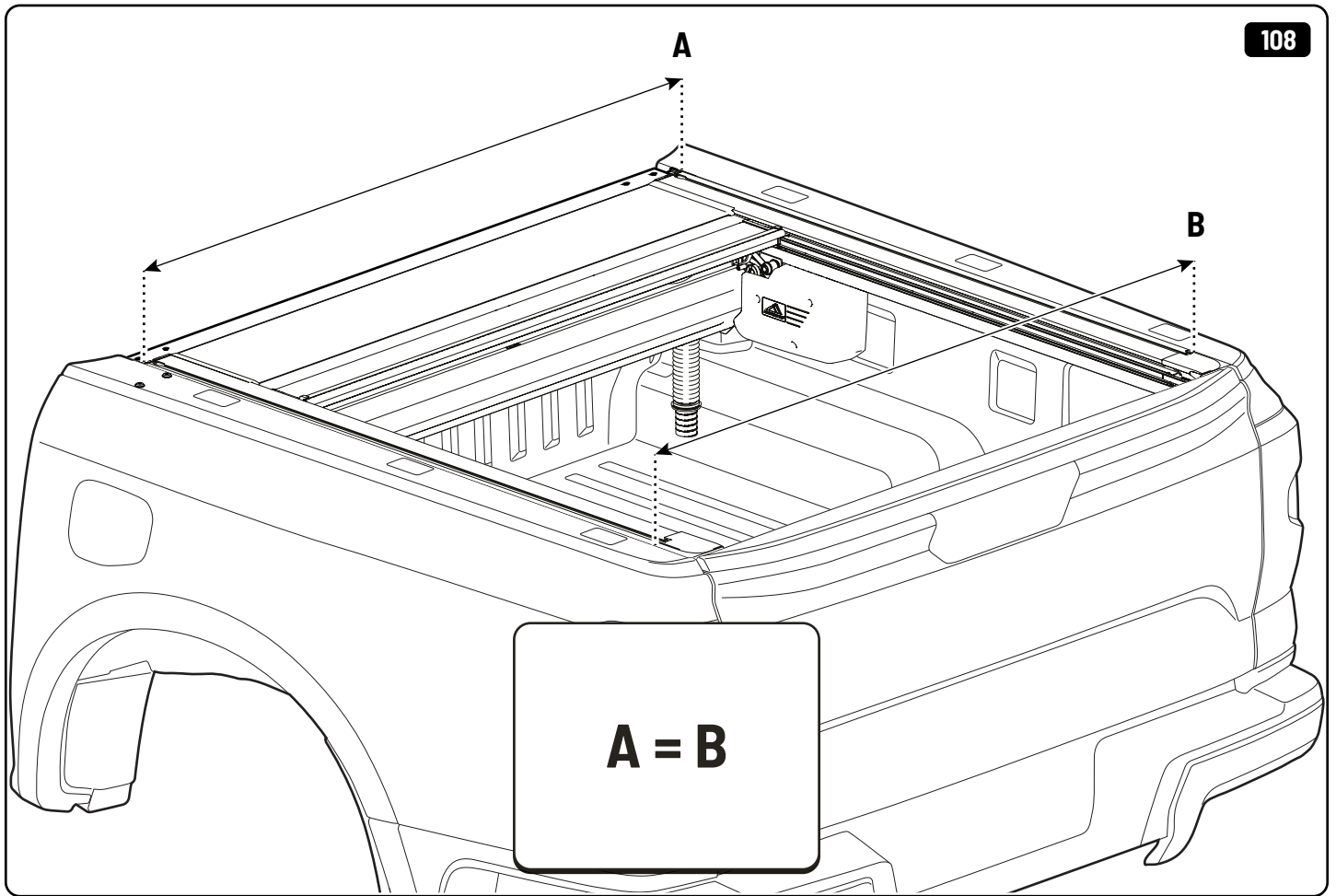


106



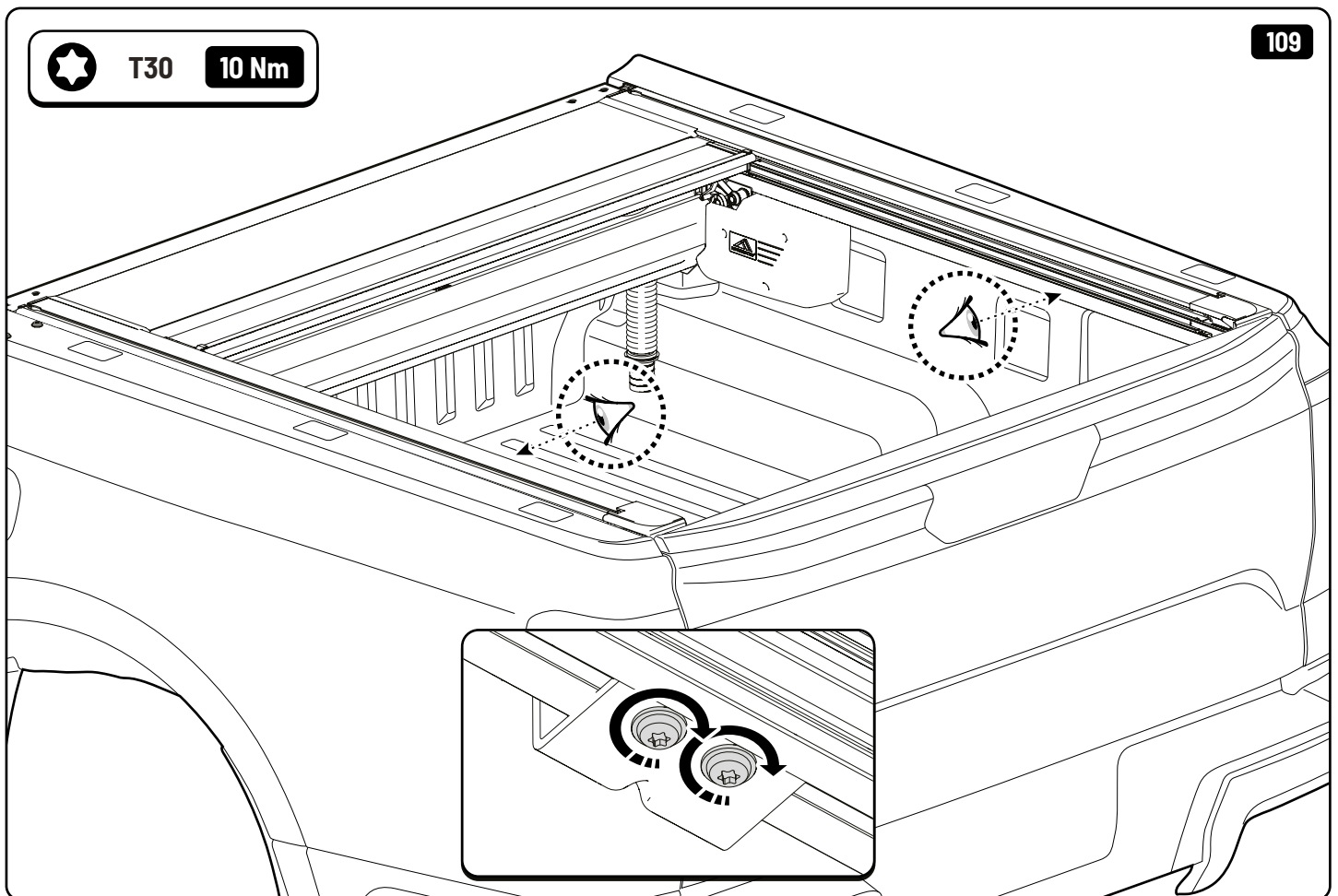
107

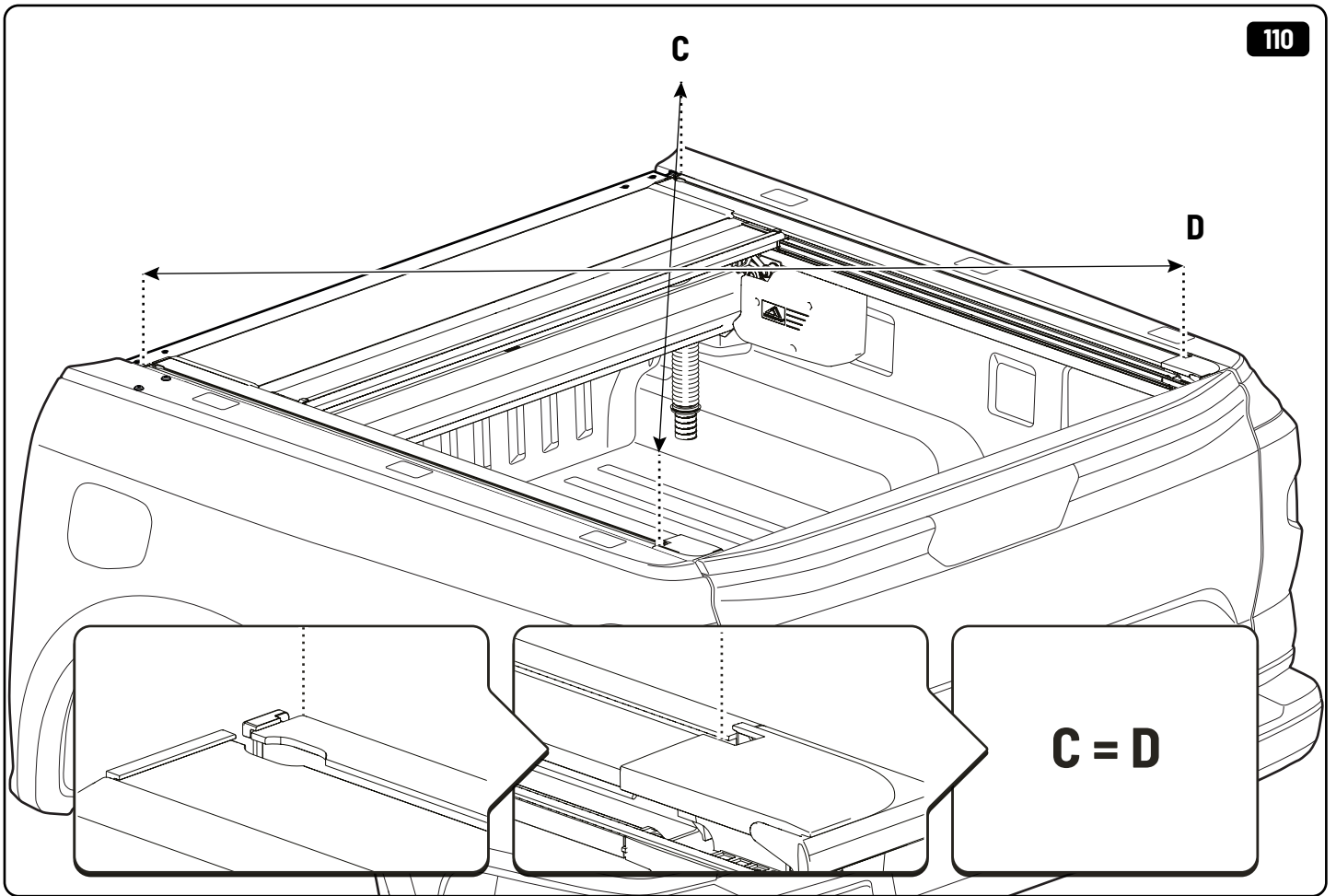




T30

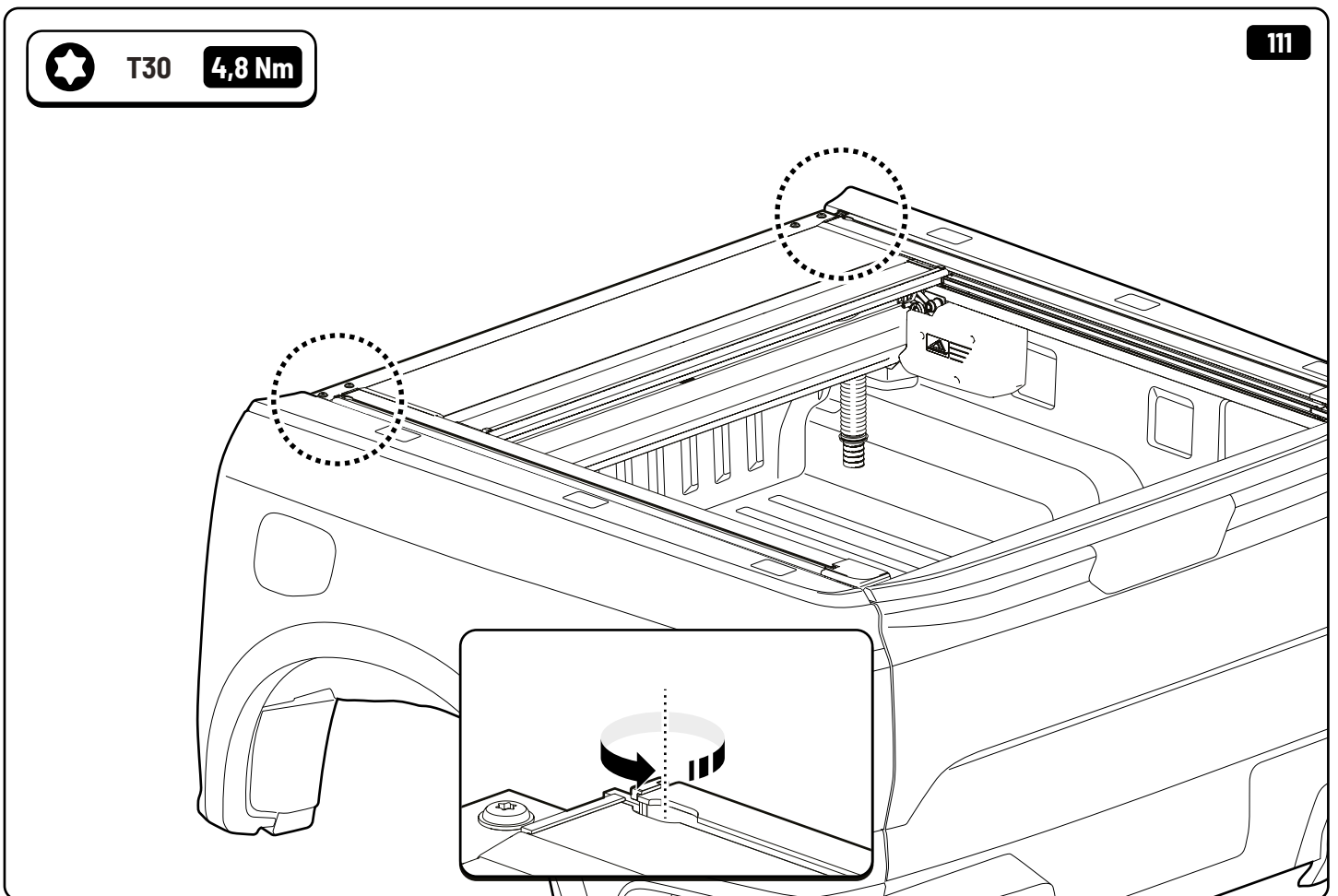
10 Nm



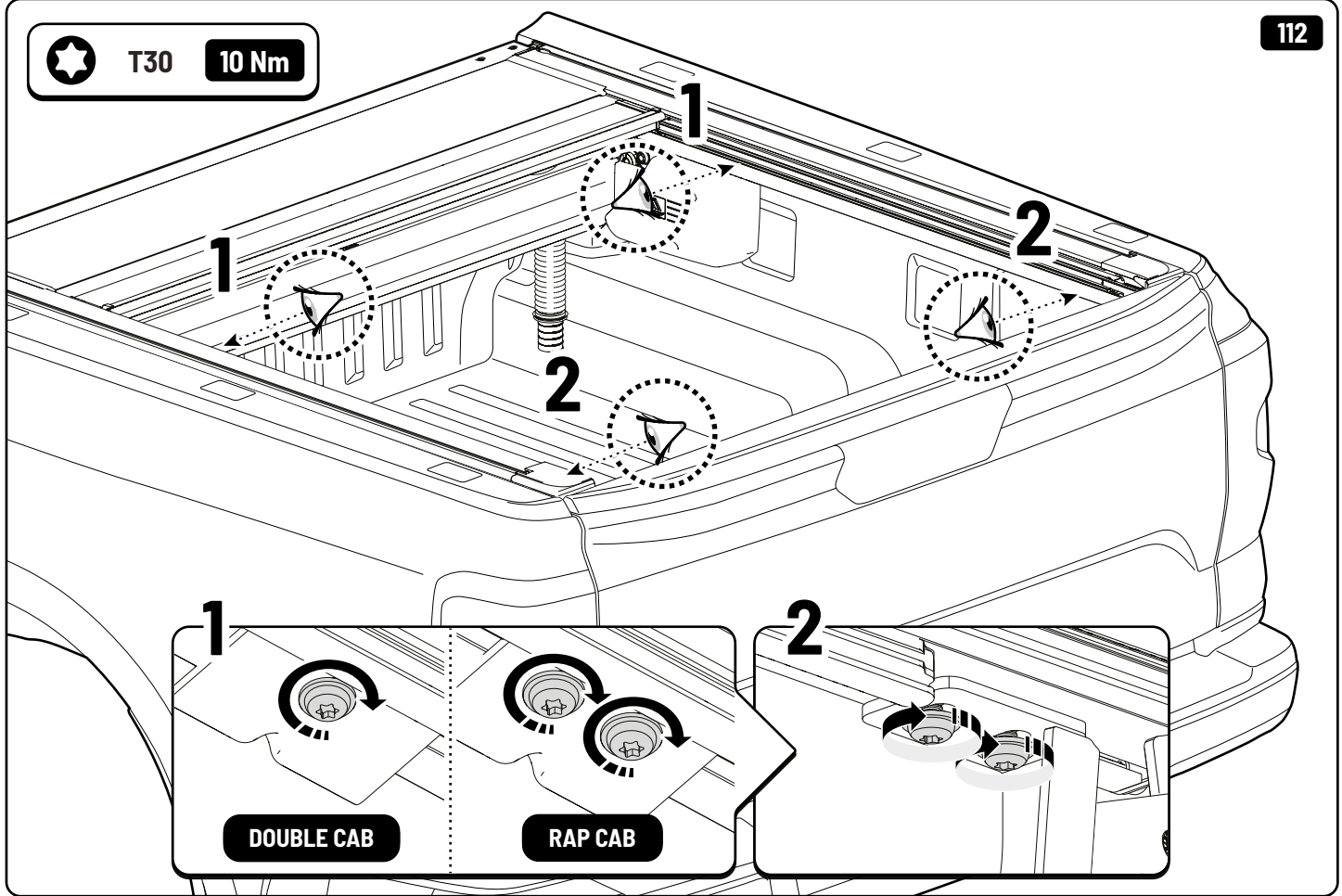


T30

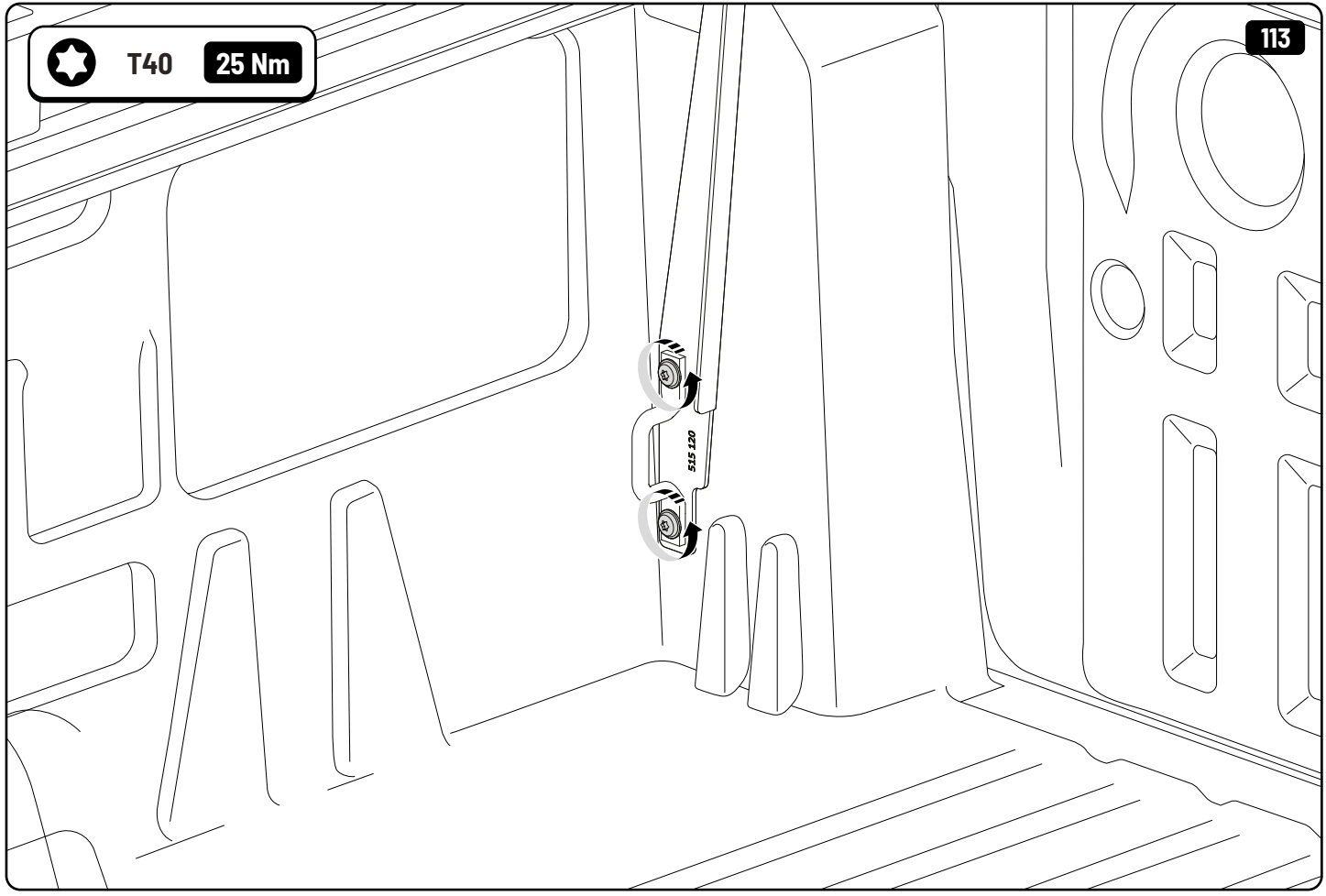
4,8 Nm

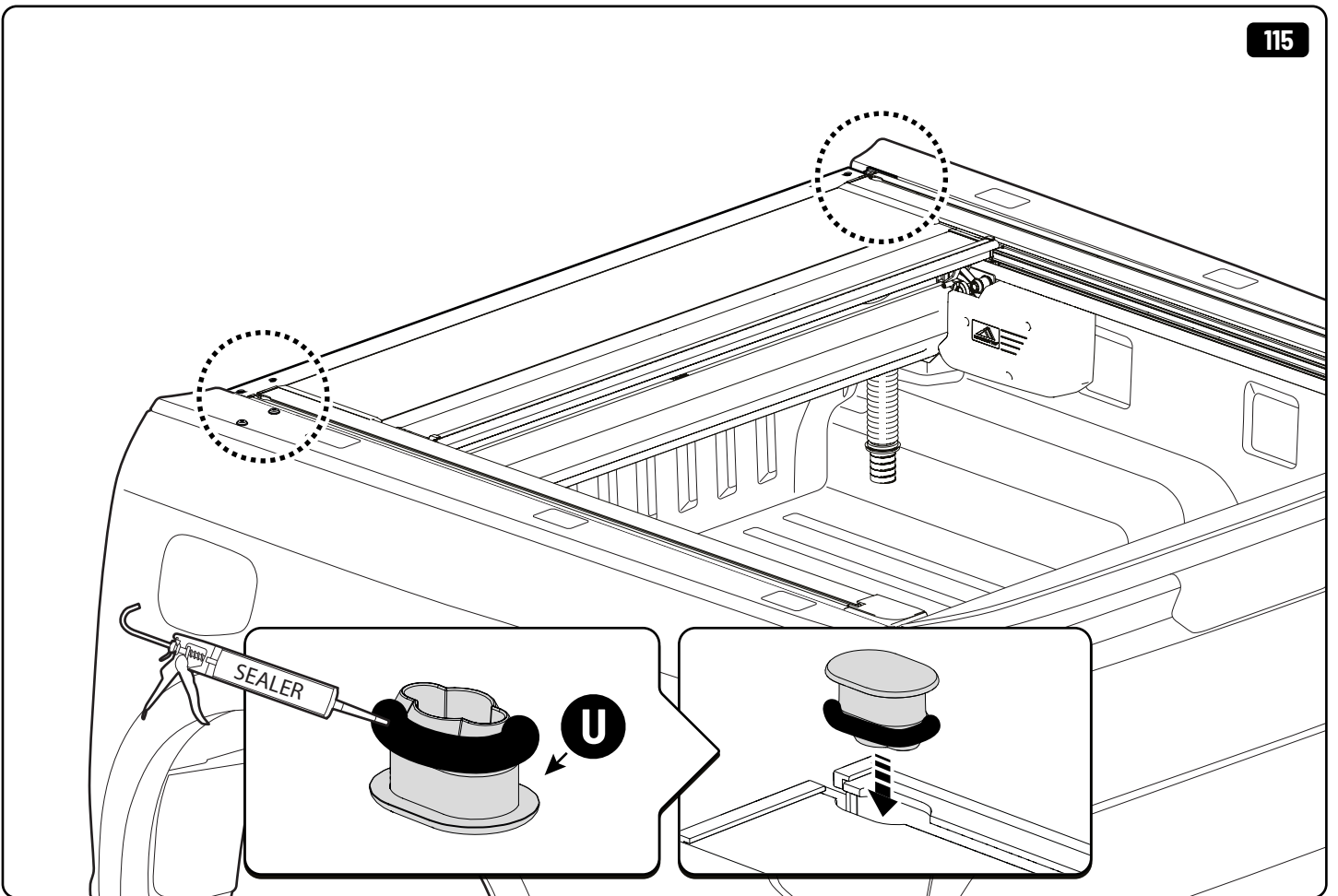
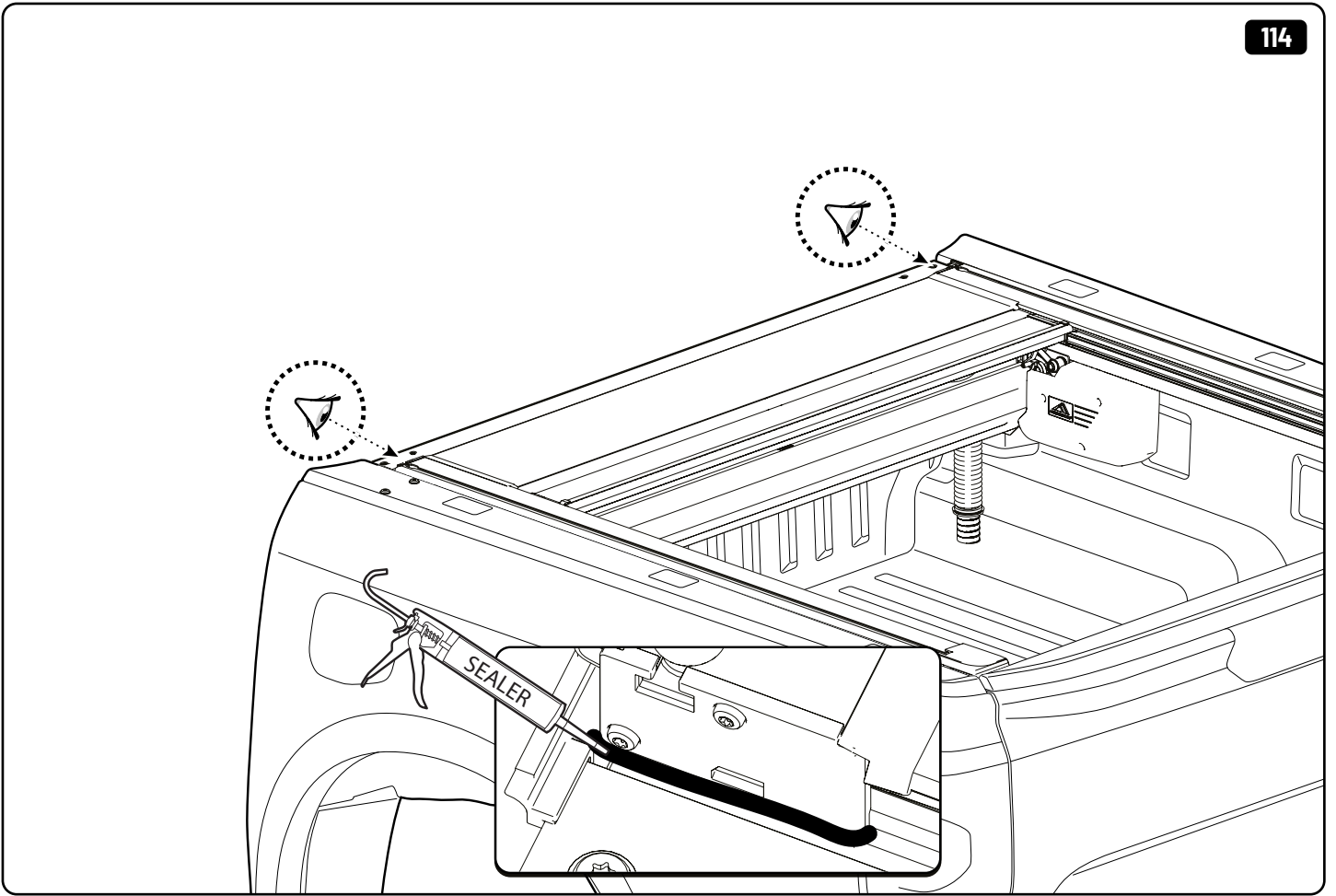


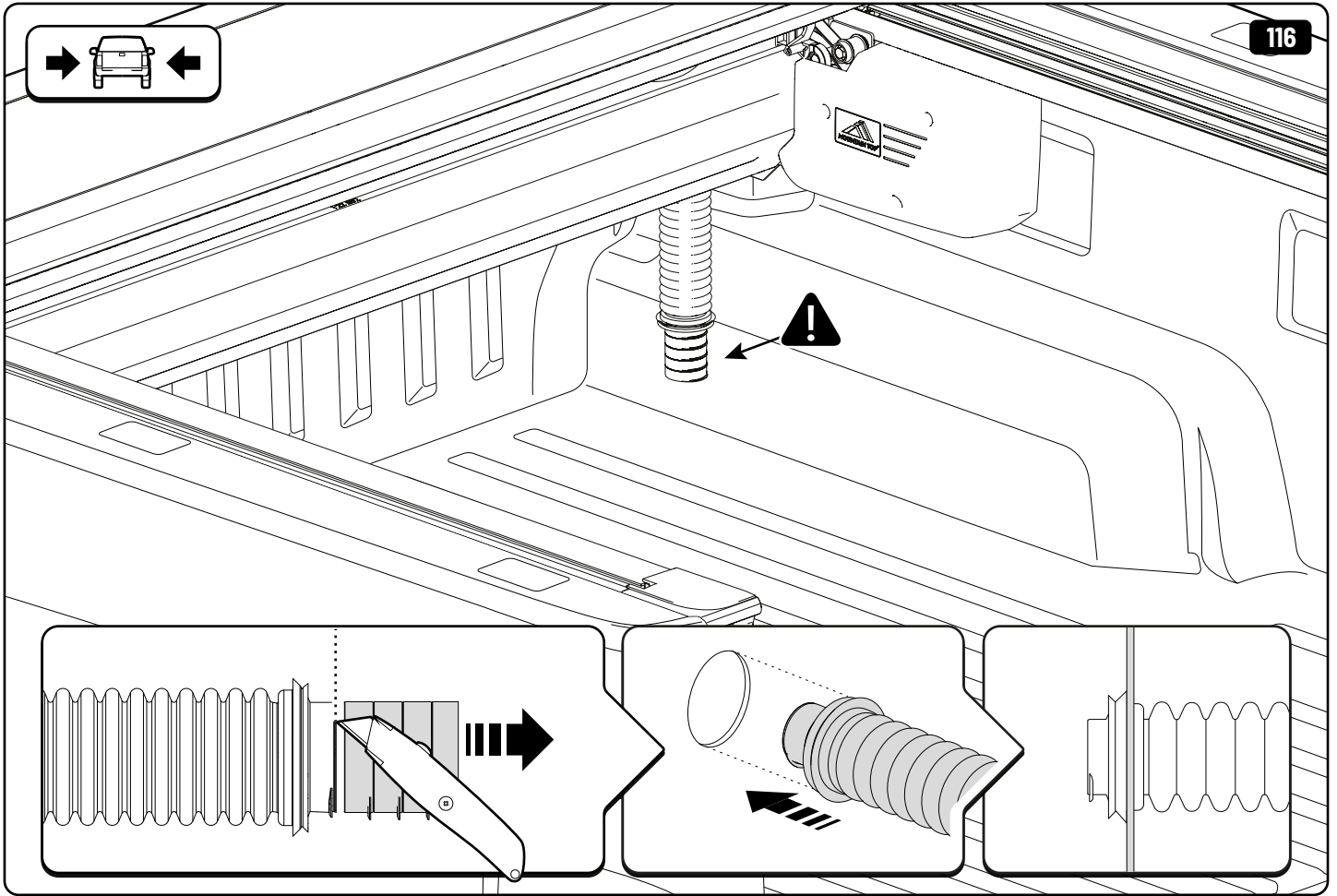
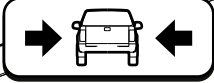
 T30 10 Nm

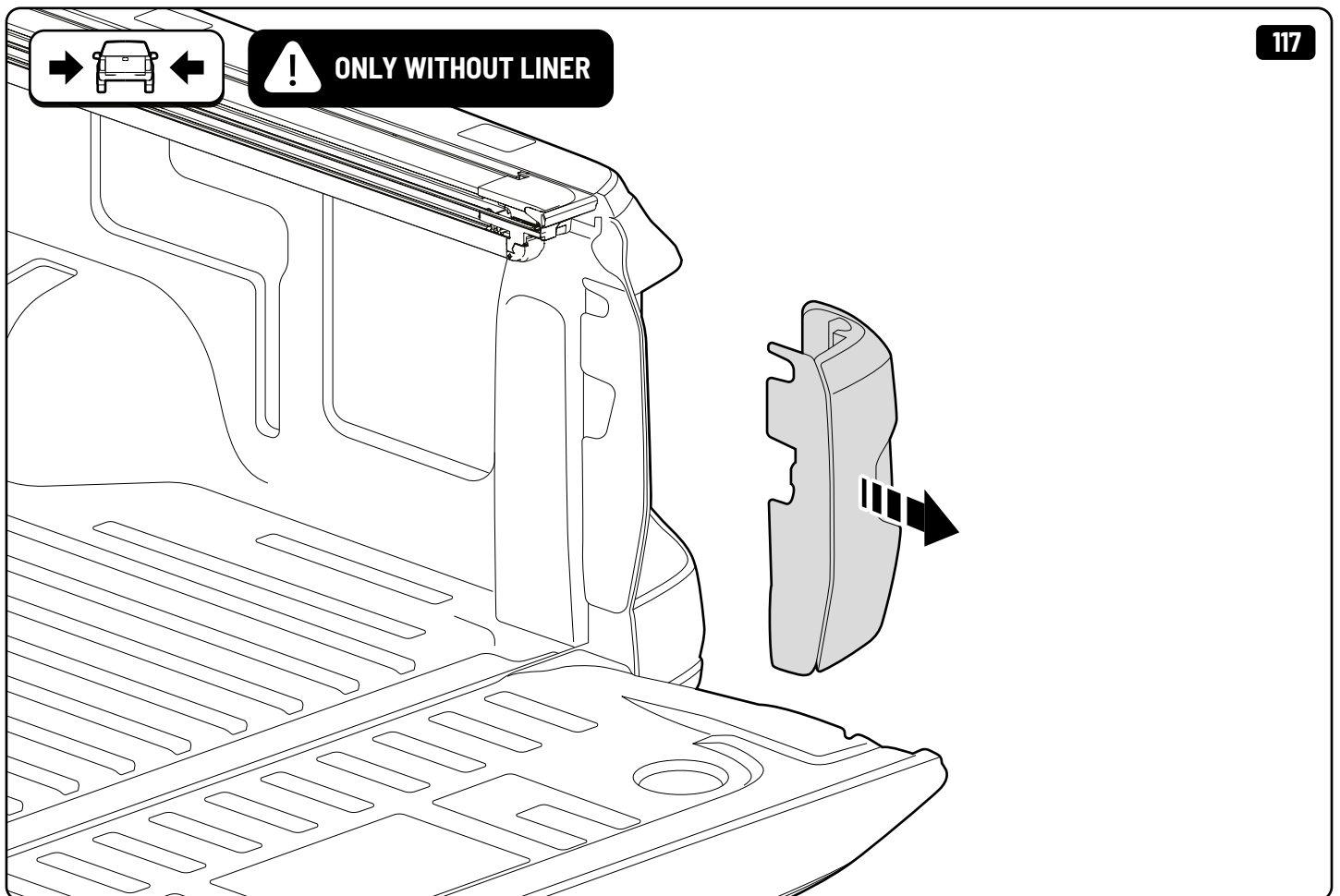
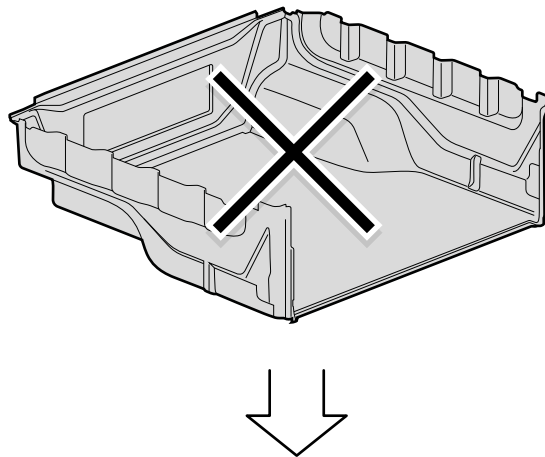
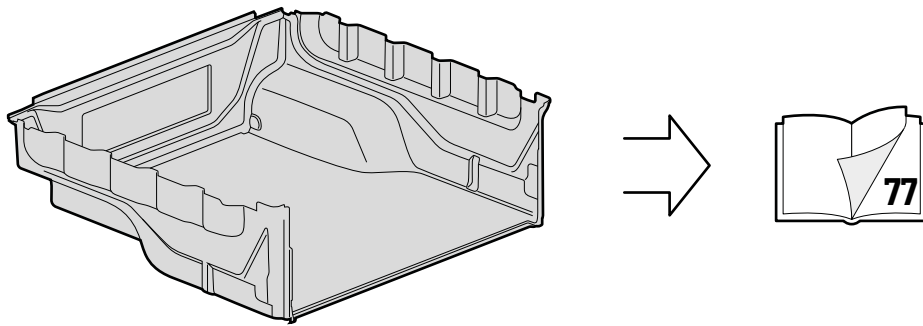


 T40 25 Nm



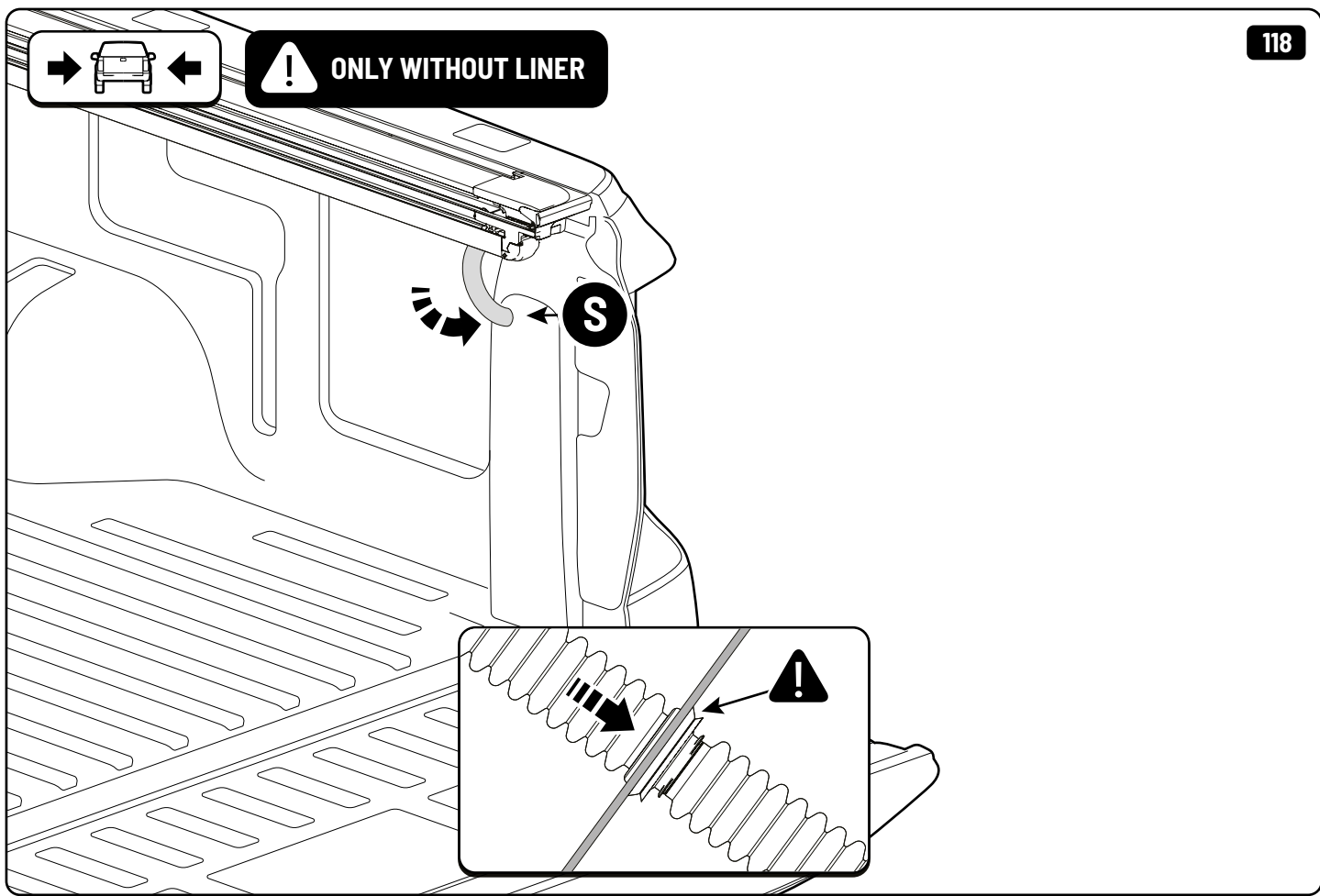




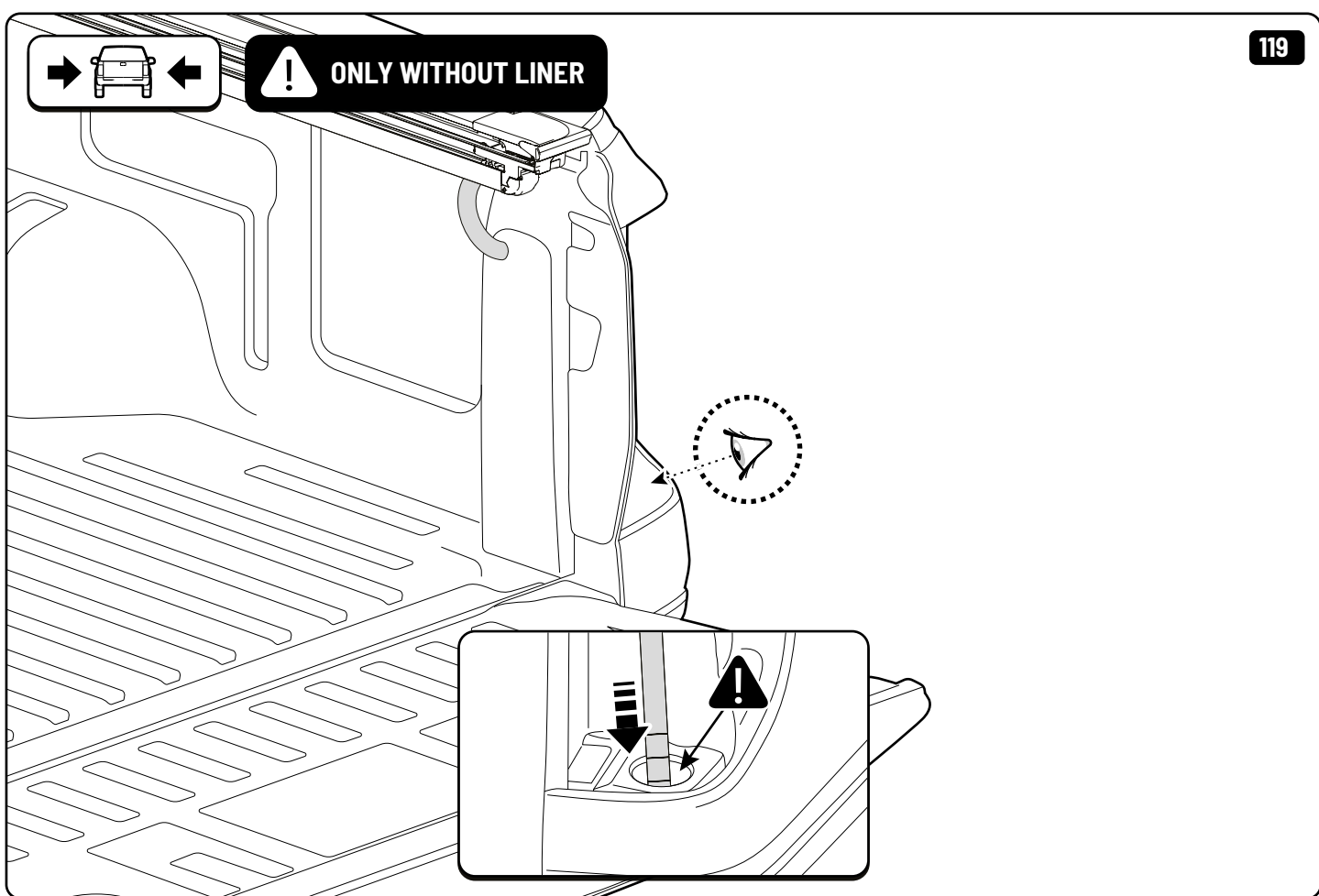




! ONLY WITHOUT LINER

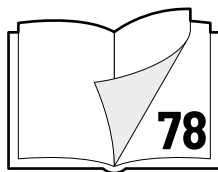
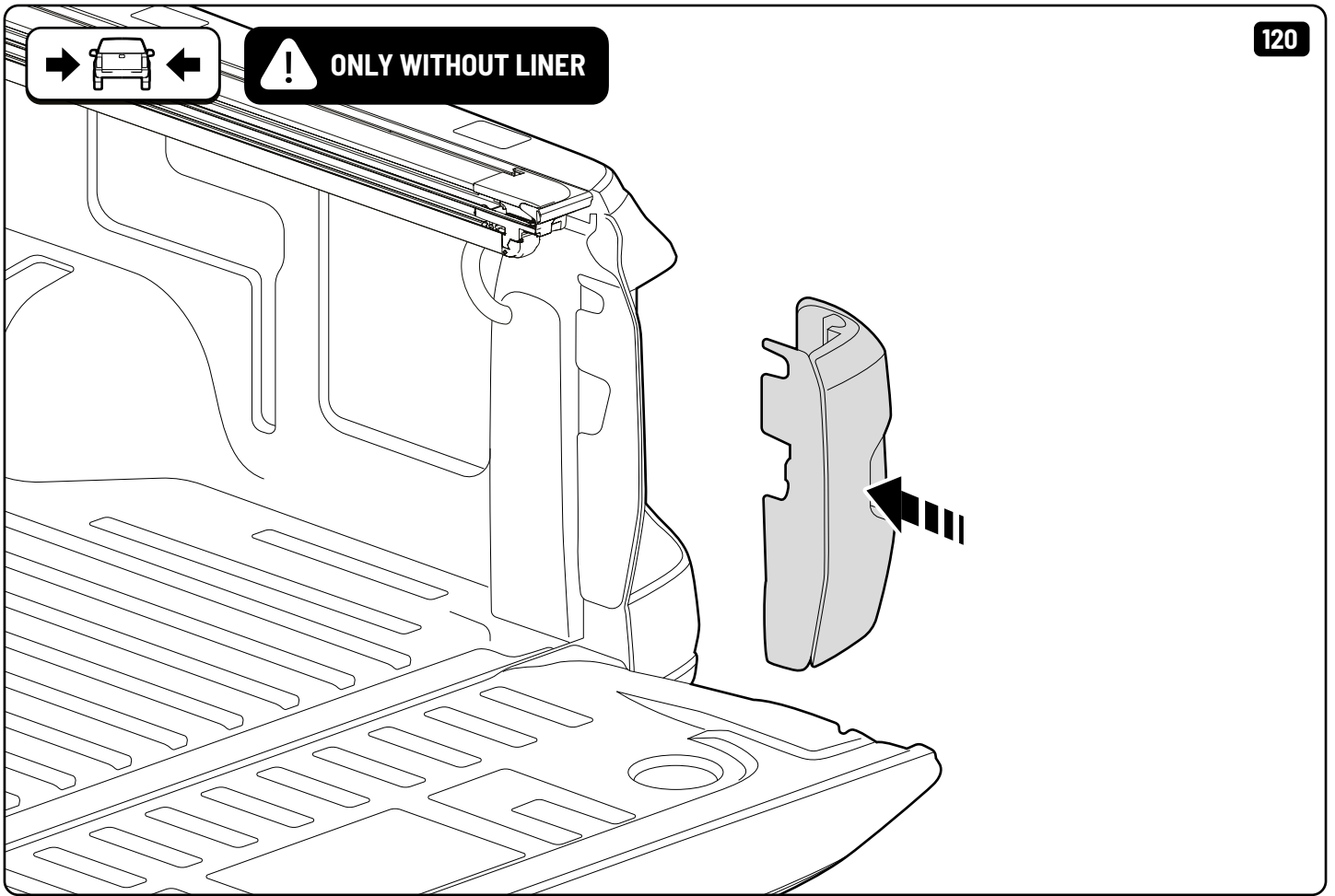


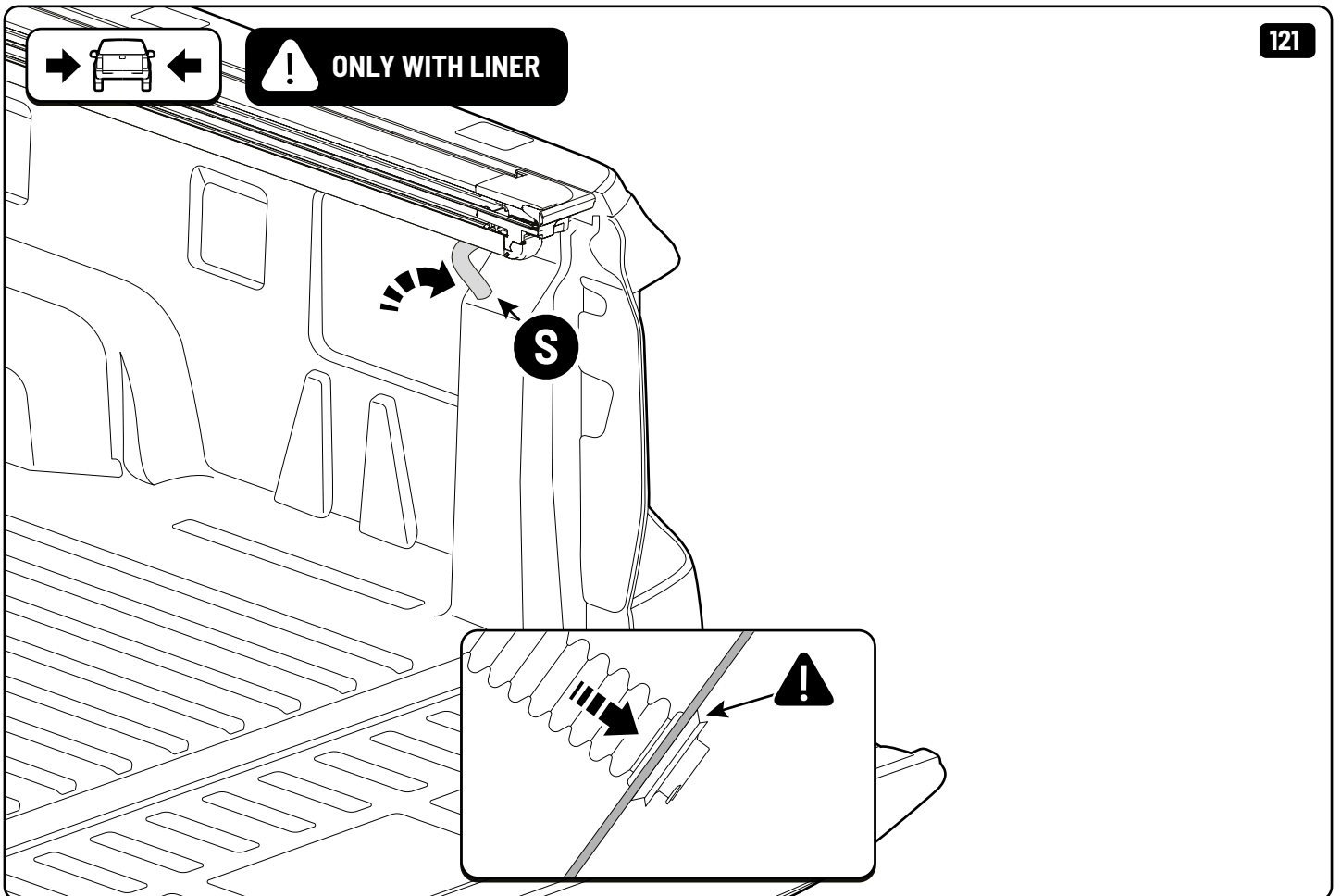
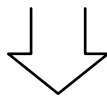
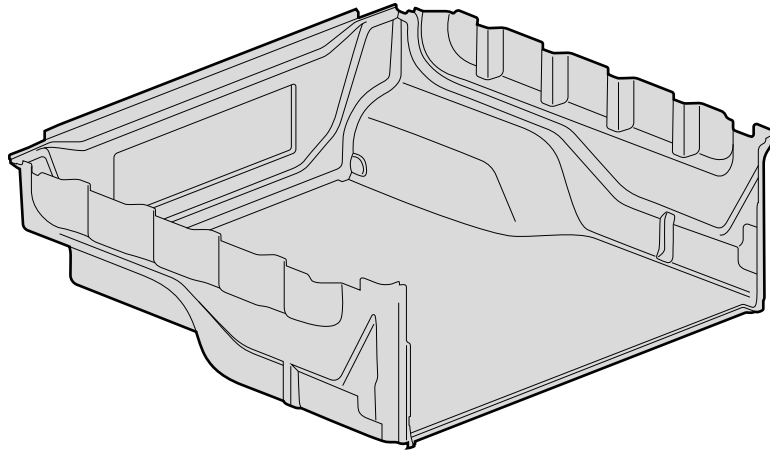
! ONLY WITHOUT LINER

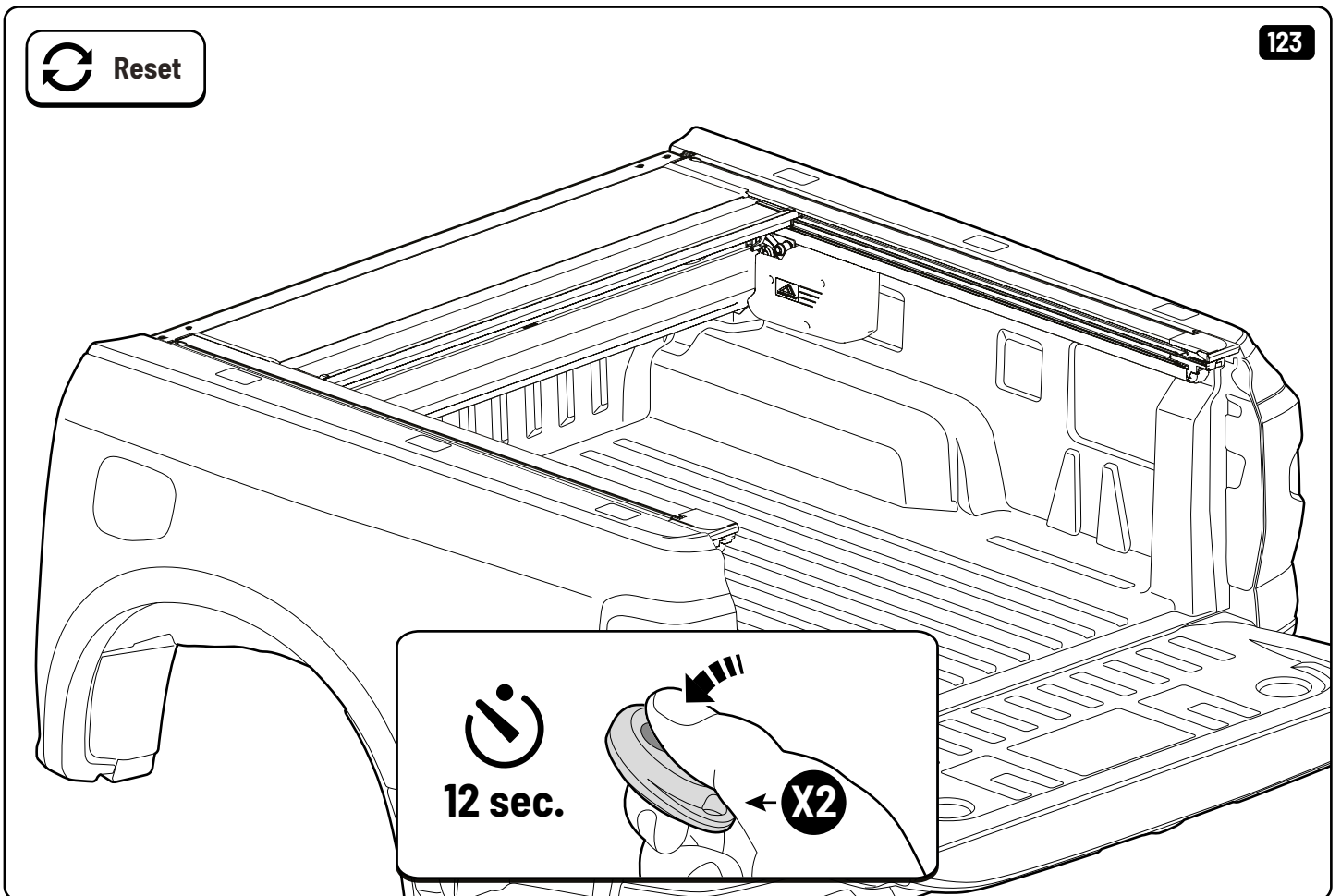
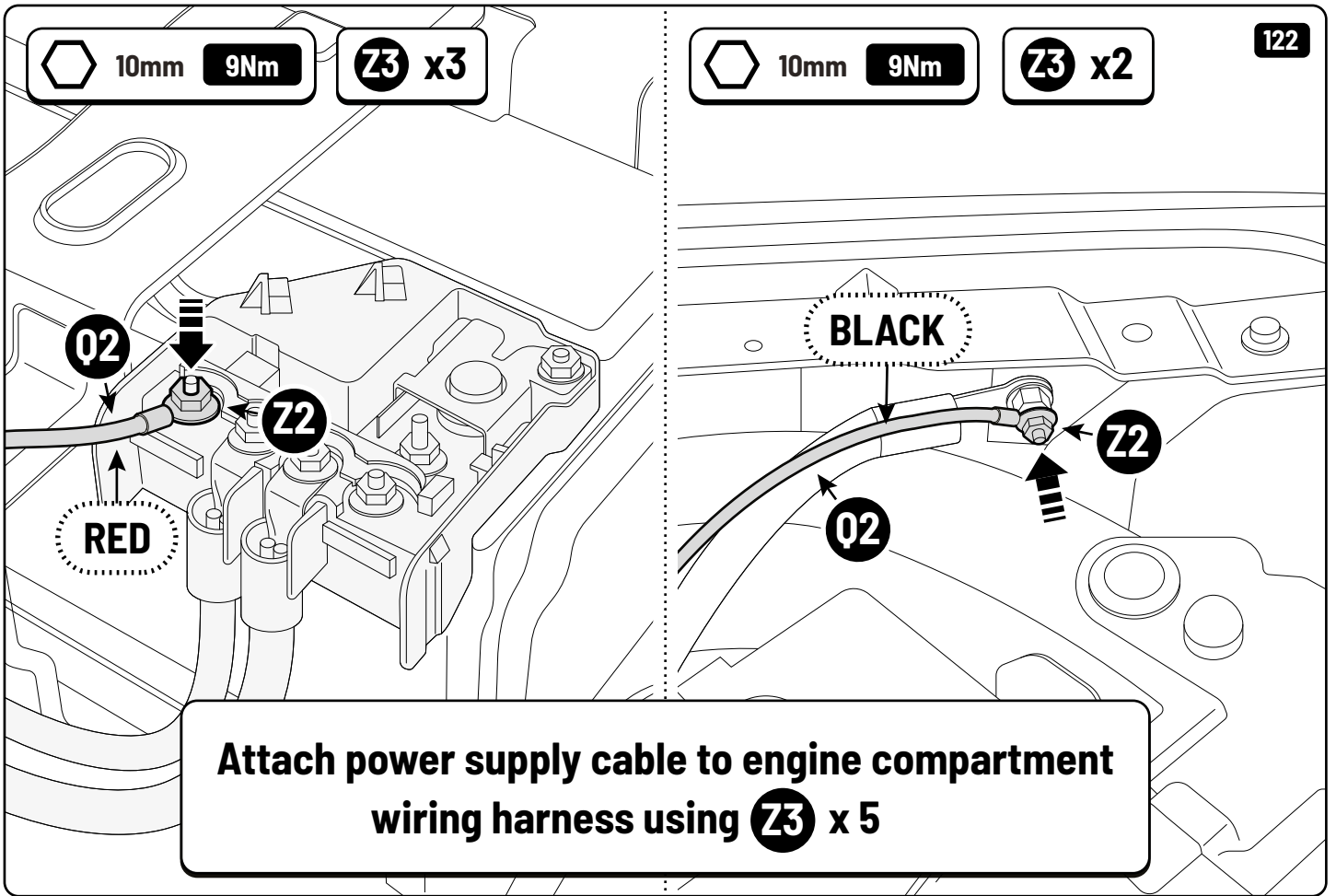




! ONLY WITHOUT LINER

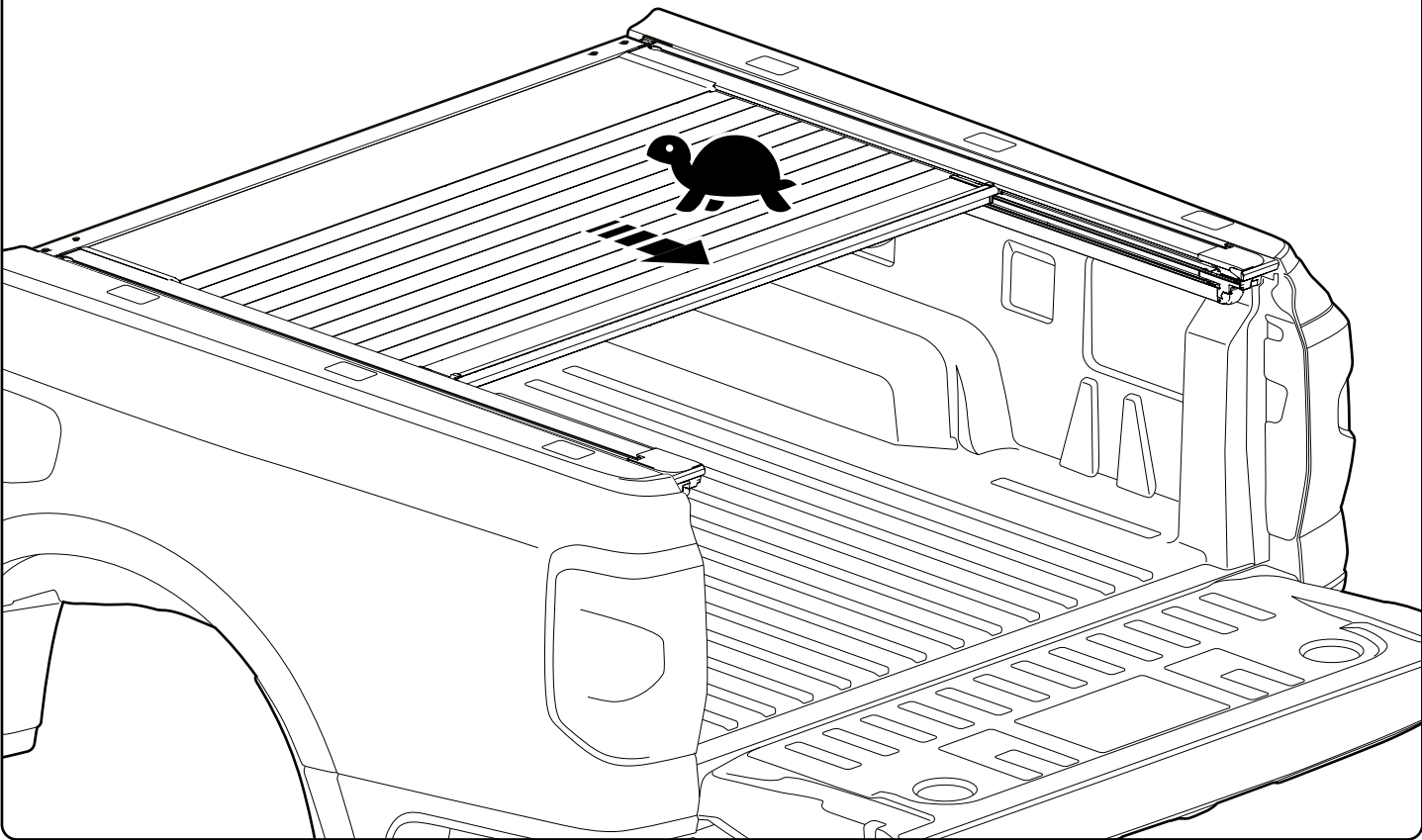




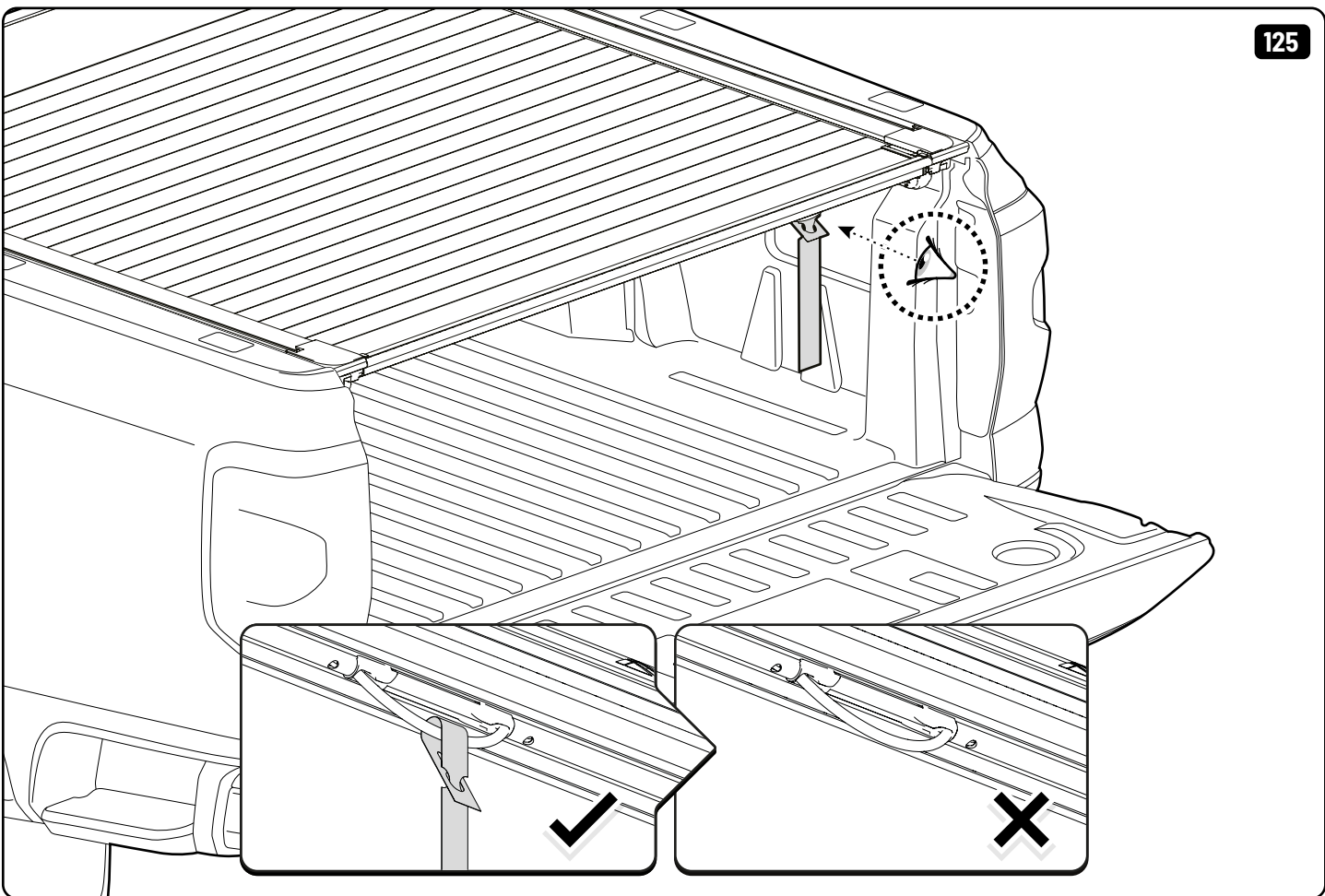


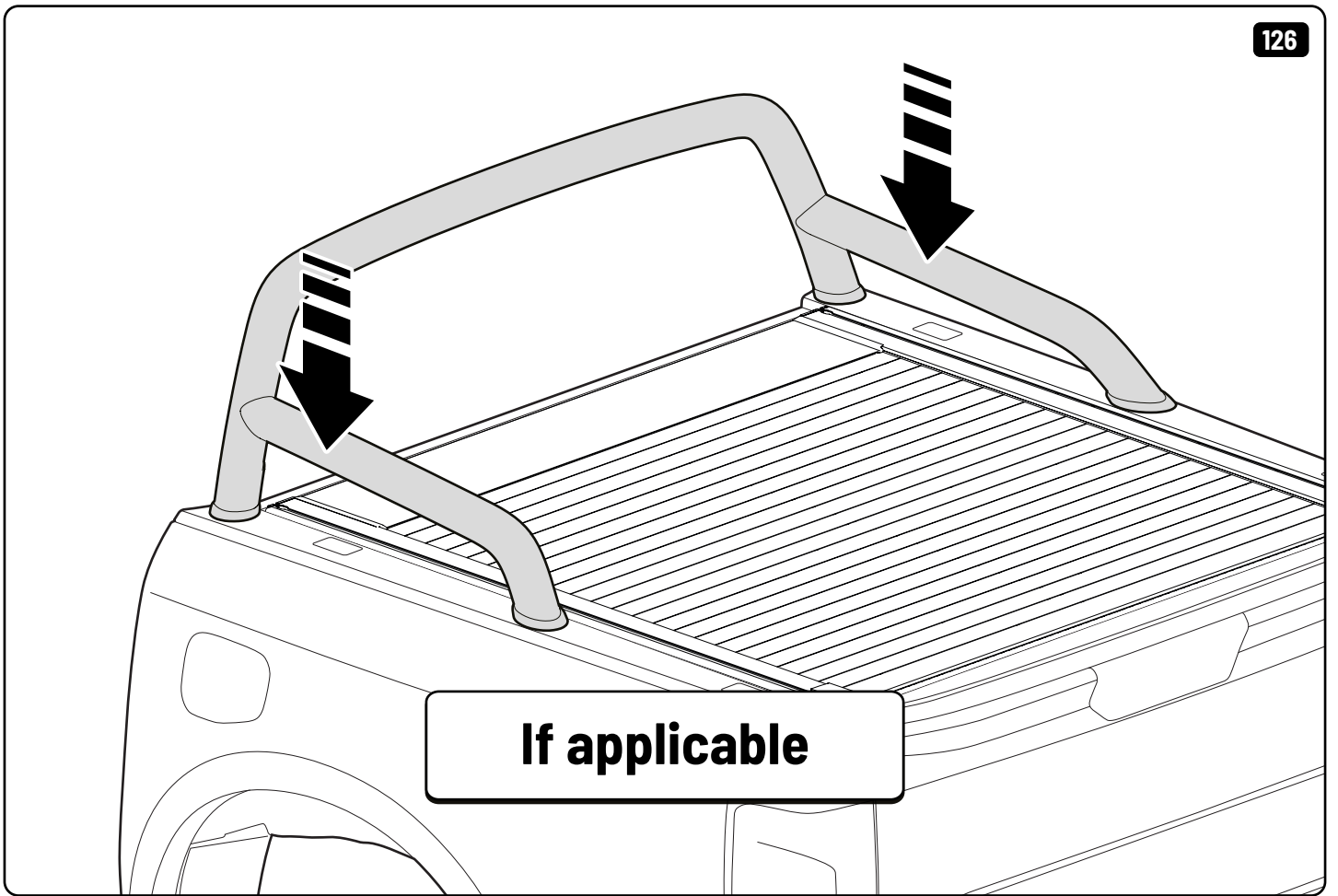
 Reset

124



125





If applicable



Steps	Page	Done by
Mounting gliding rail in canister	18-19	
Holes for drain	33-36 / 38-42	
Width + Cross measurement	69+70	
Tightening bracket screws	69-71	
Mounting drain	73+74-76 / 77	
Calibrate EVOe	78-79	



Customer Service +45 4810 2950 (08:00 - 16:00 CET)
Support info@mountaintop.dk
Website www.mountaintop.dk
Address Pedersholmparken 10, 3600 Frederikssund, Denmark

Part number (s)	Model / Year	Cab type (s)	Installation time	Weight
EVOe FO10 HB02	Ford Ranger/ 2022 ->	Double Cab	2 hour (s)	33 kg
EVOe FO11 HB02	Ford Ranger/ 2022 ->	Rap Cab	2 hour (s)	40 kg

GB Installation manual	S Monteringsanvisning	D Einbauanleitung
SF Asennusohje	E Instrucciones de montaje	CZ Návod k instalaci
F Notice de montage	H Szerelési utasítás	I Istruzioni di montaggio
PL Instrukcja montażu	P Instruções de instalação	GR Οδηγίες Εγκατάστασης
NL Installatie-instructies	RUS Инструкция по установке	DK Monteringsvejledning
TR Montaj Talimatı	N Monteringsveiledning	RO Instructiuni de instalare