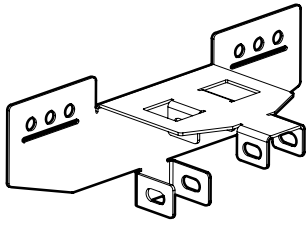


MOUNTAIN TOP[®] BED DIVIDER

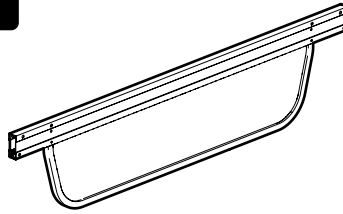
Installation manual



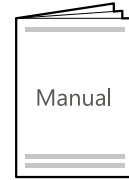
Parts

A

x 2

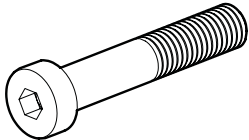
B

x 1

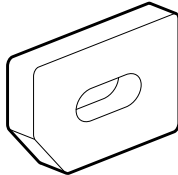
C

x 1

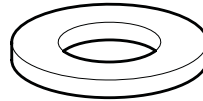
Kit

D

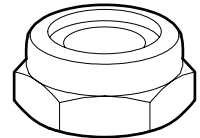
x 6

E

x 2

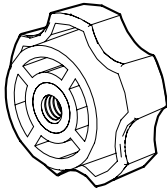
F

x 16

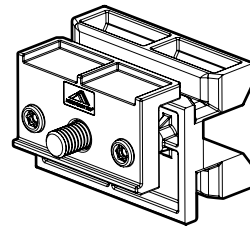
G

x 6

Kit

H

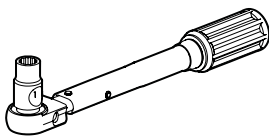
x 4

I

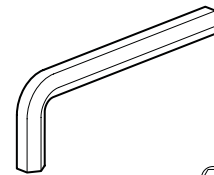
x 4

Tools needed

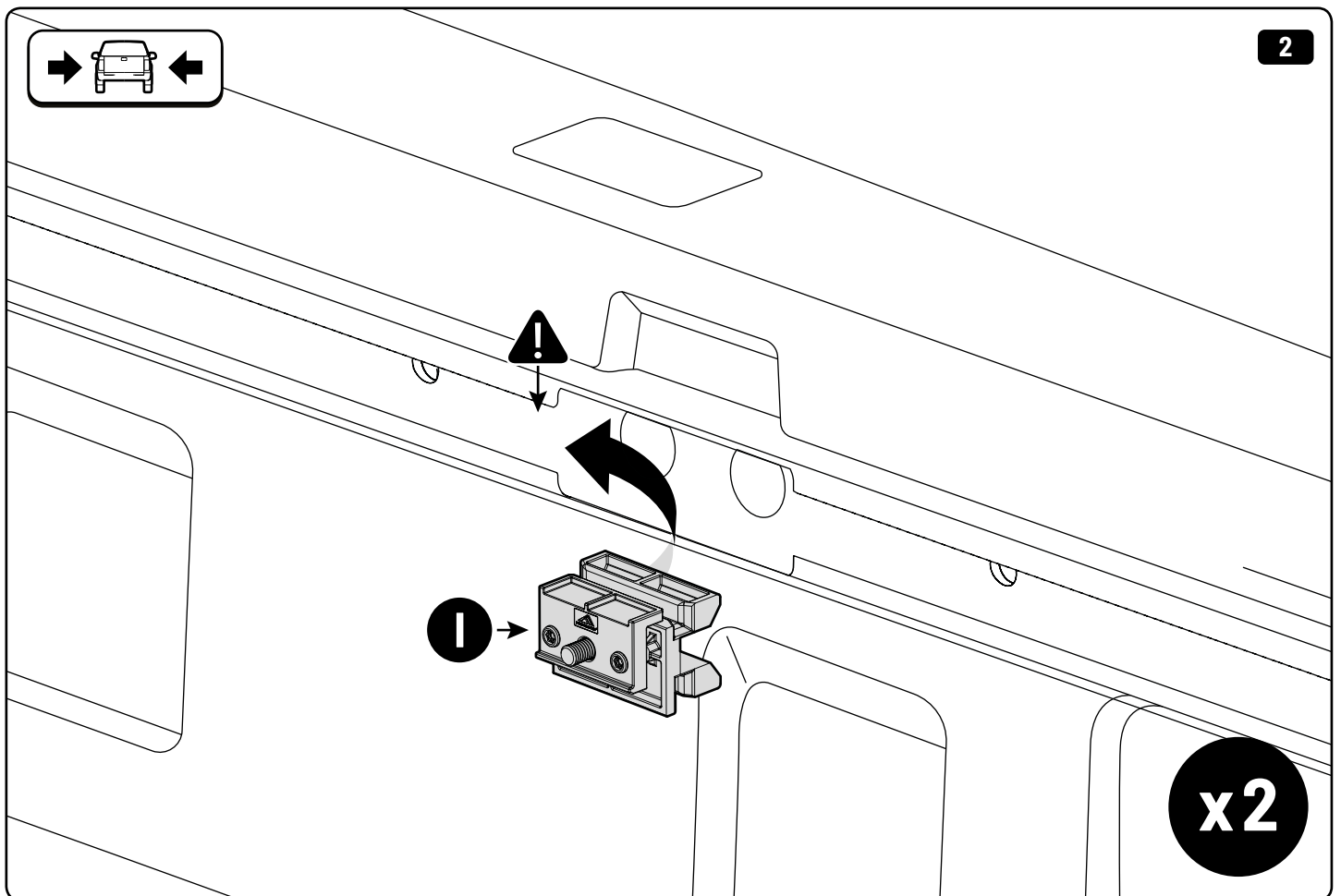
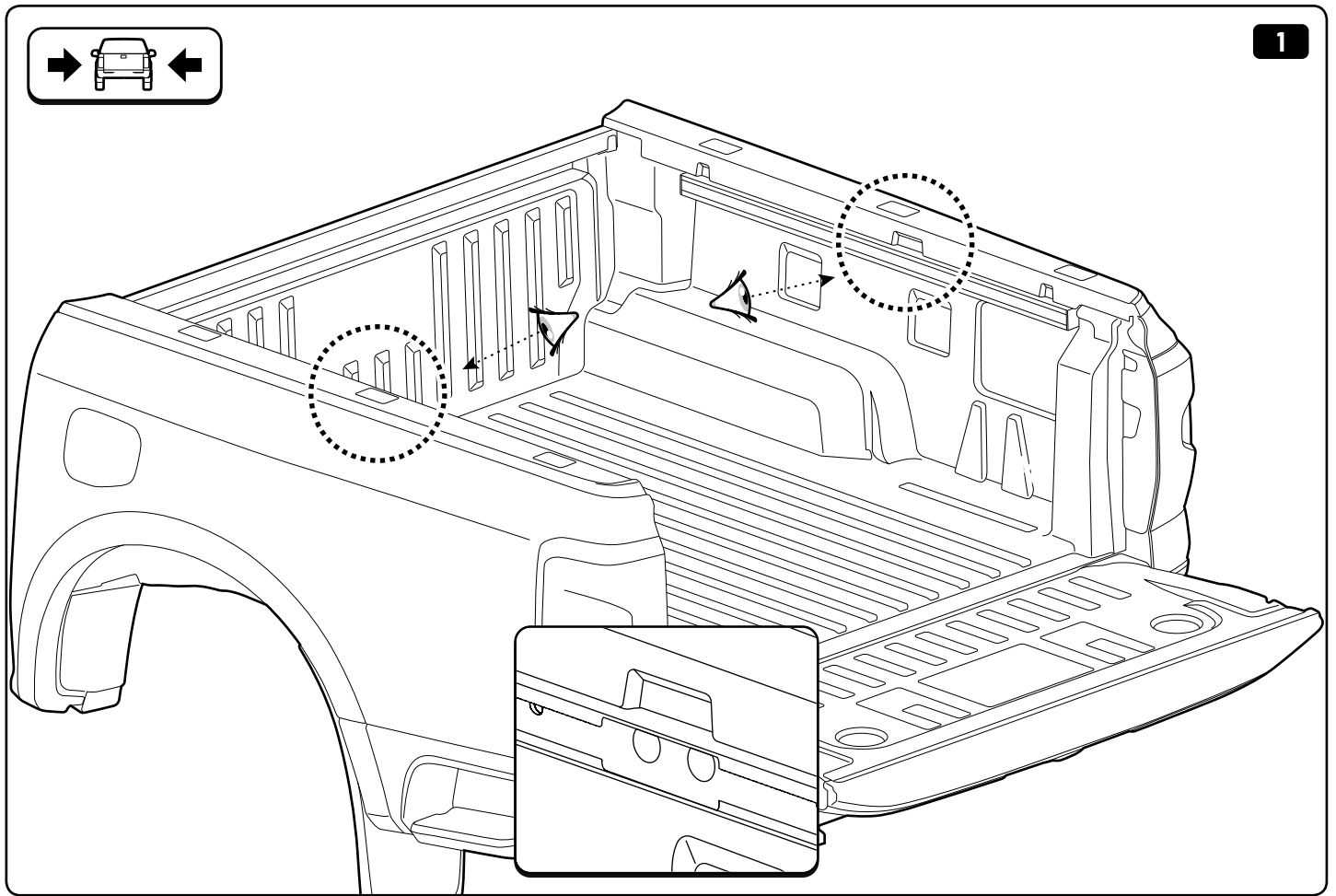
1 - 25 Nm

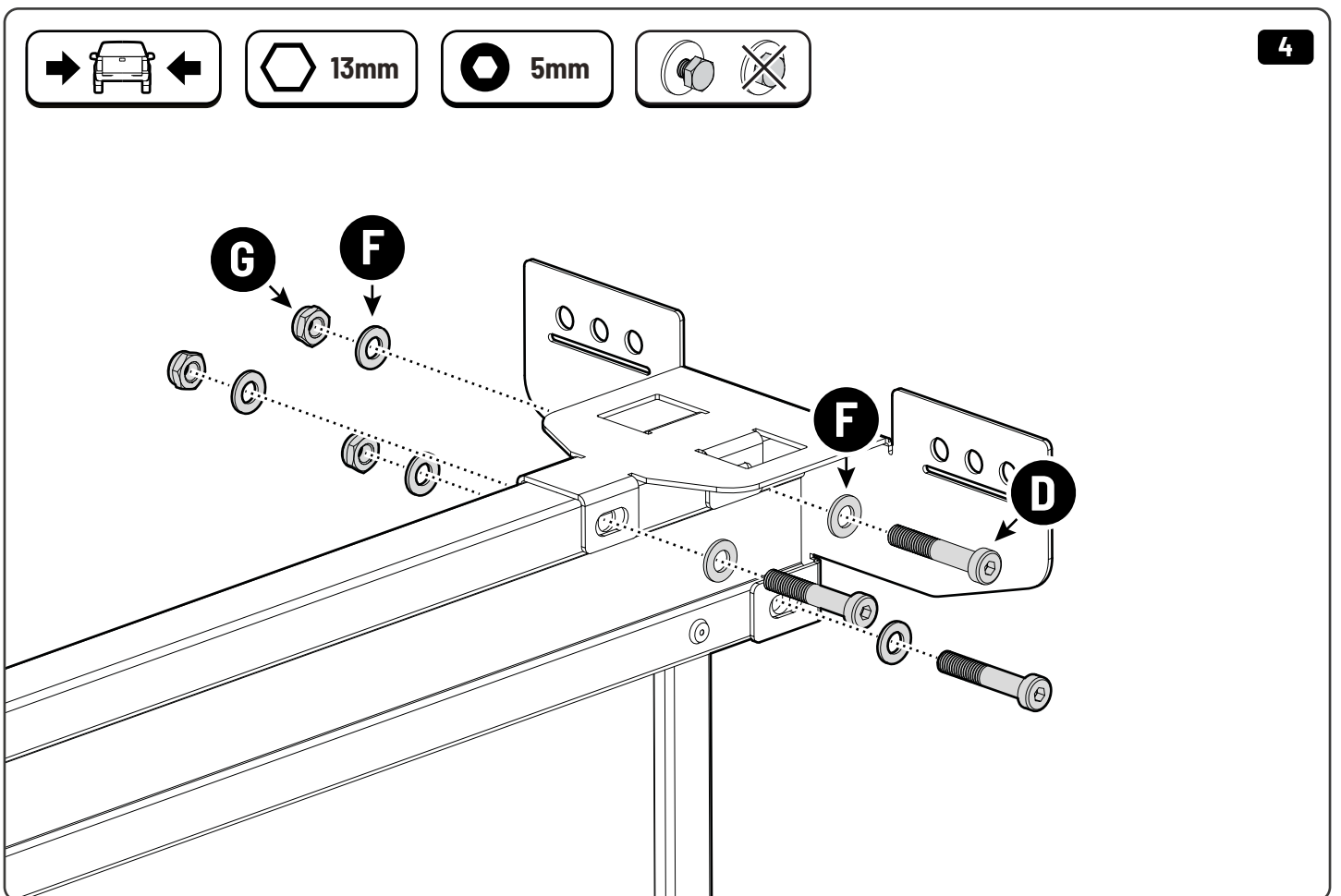
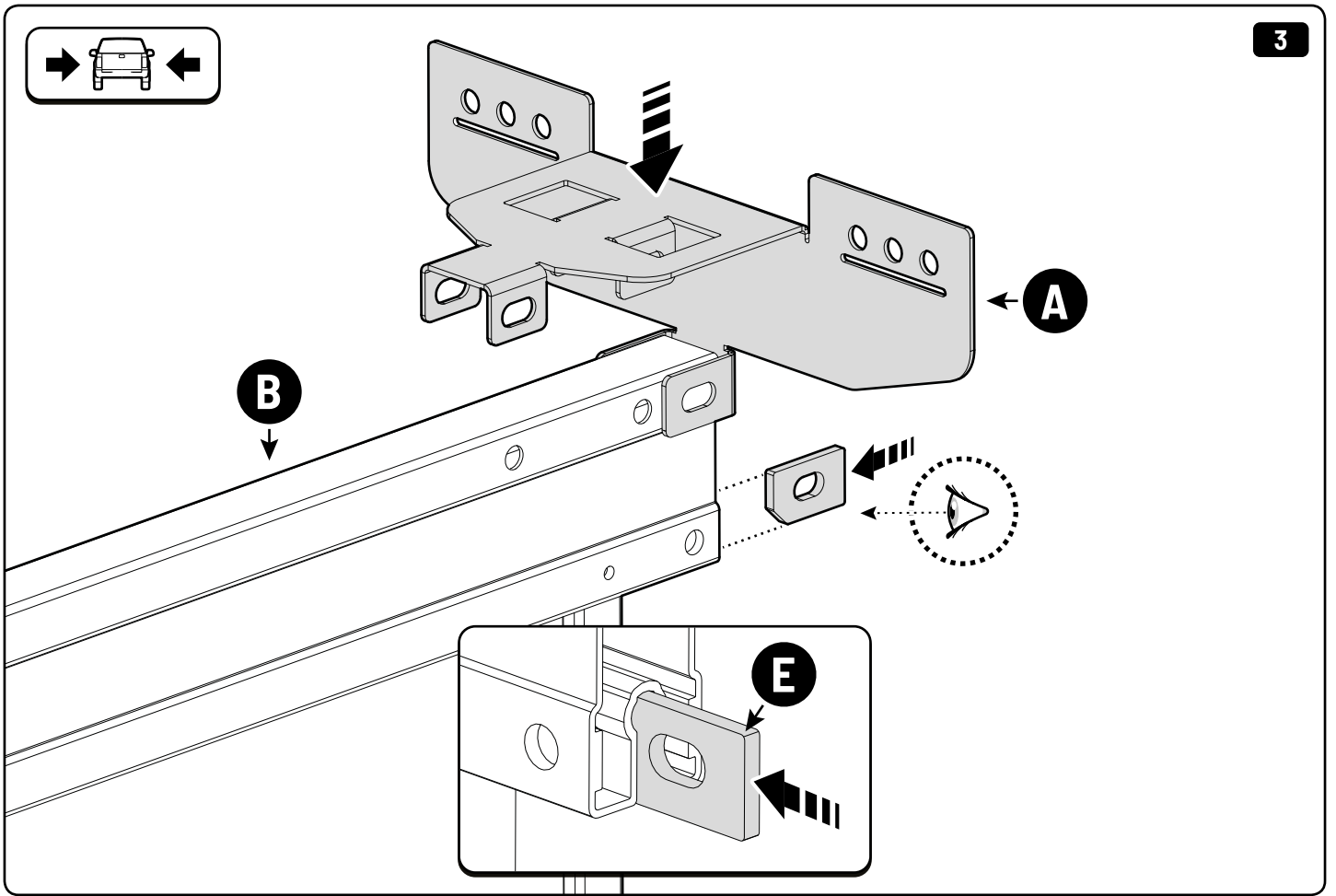


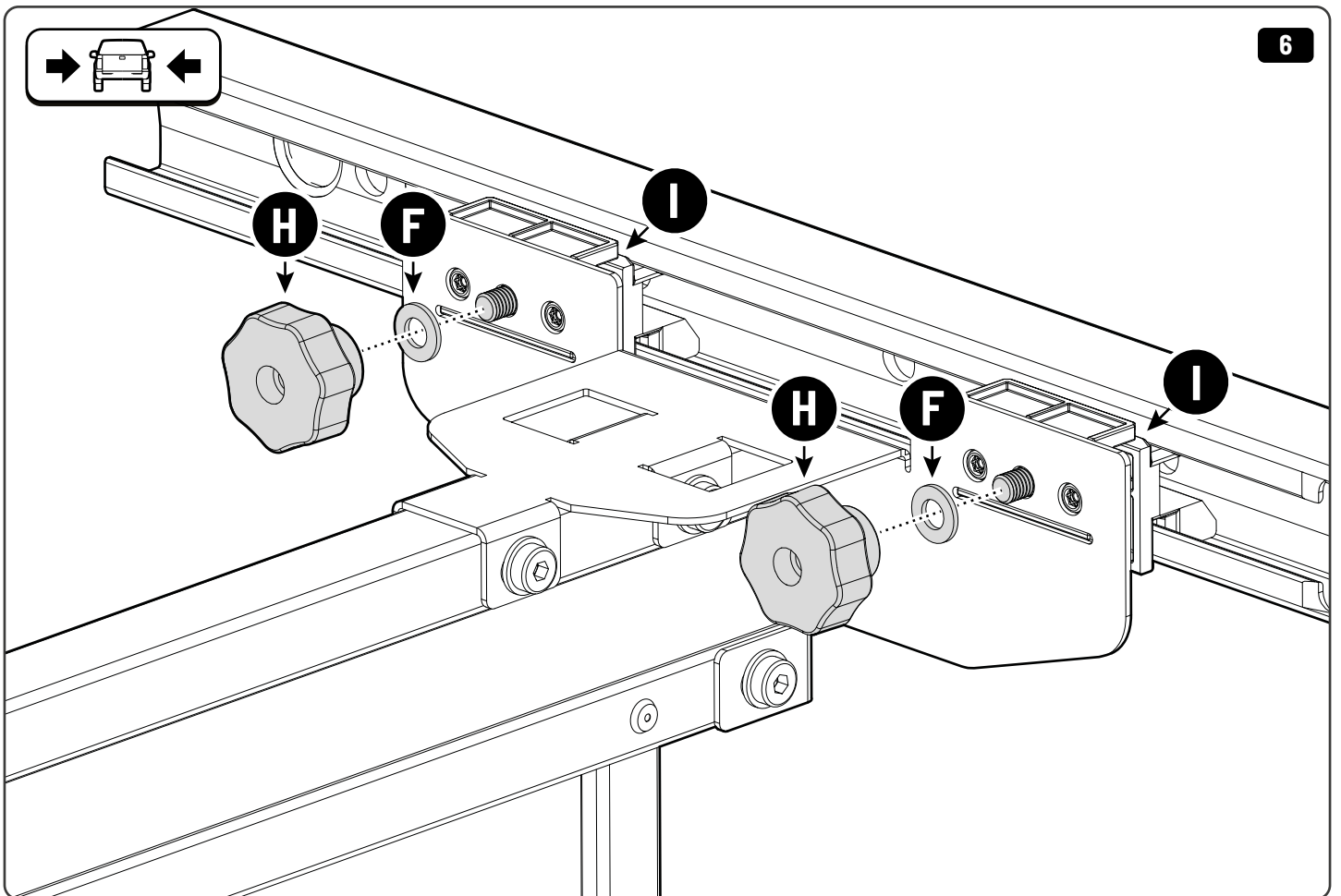
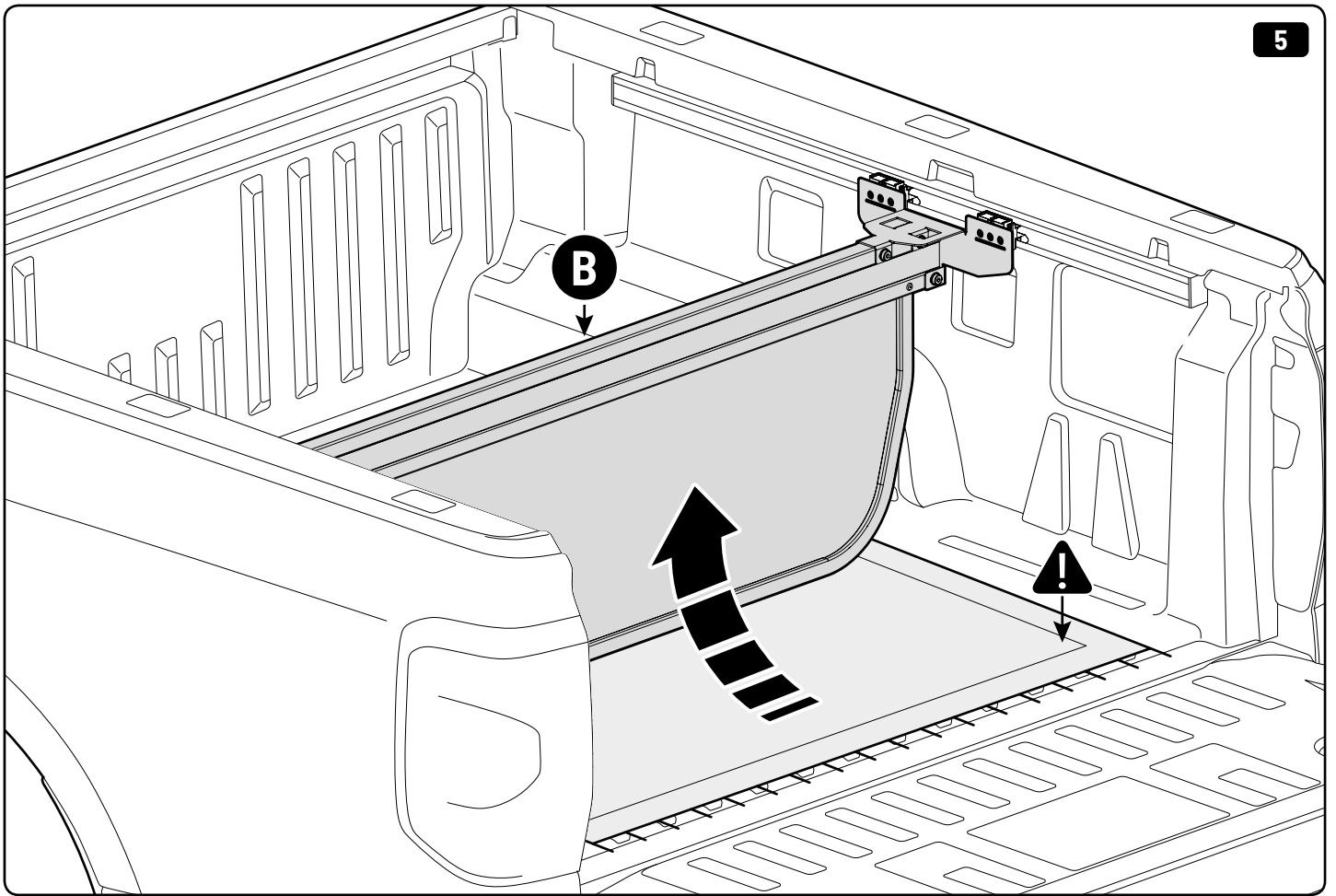
⬡ 13 mm

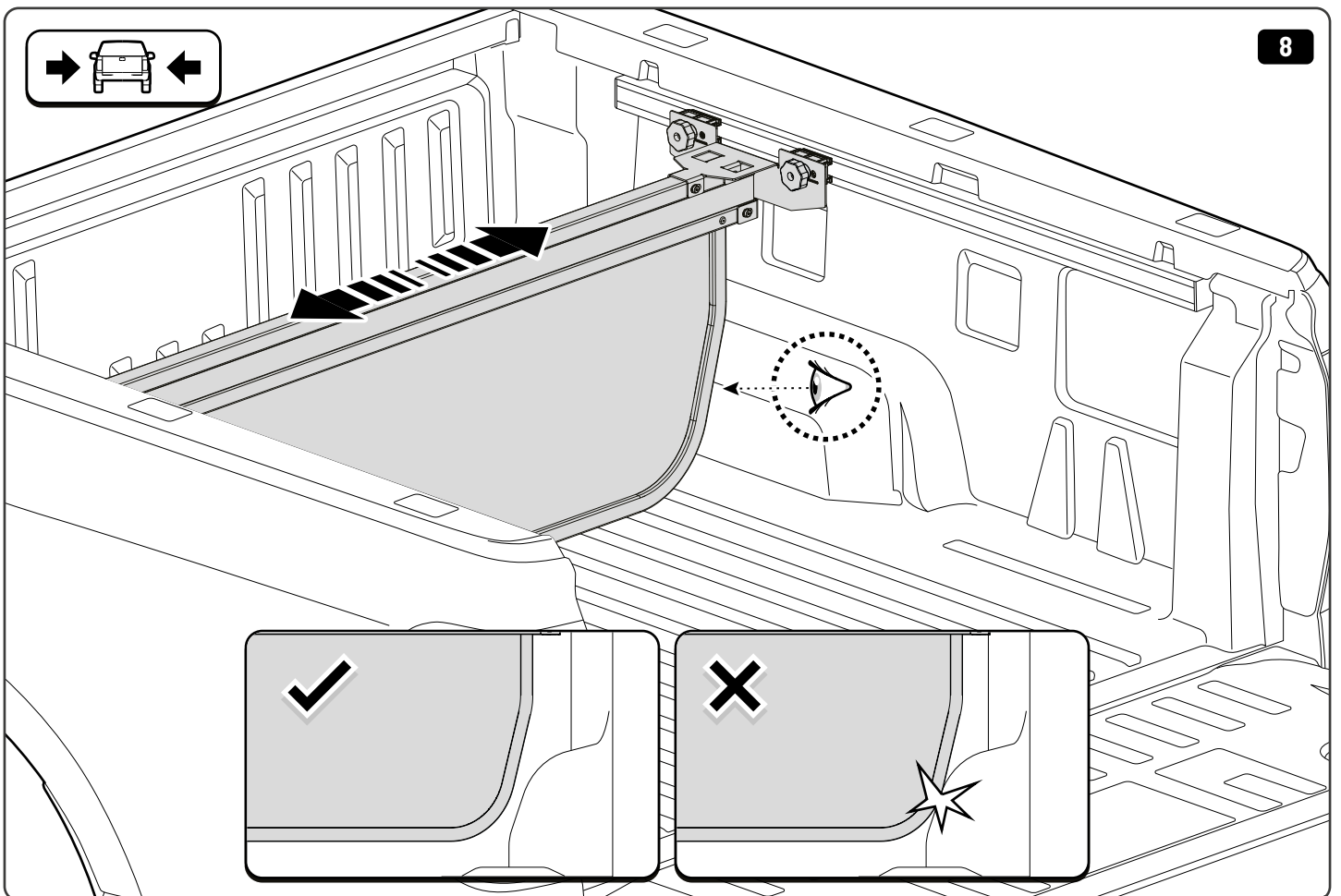
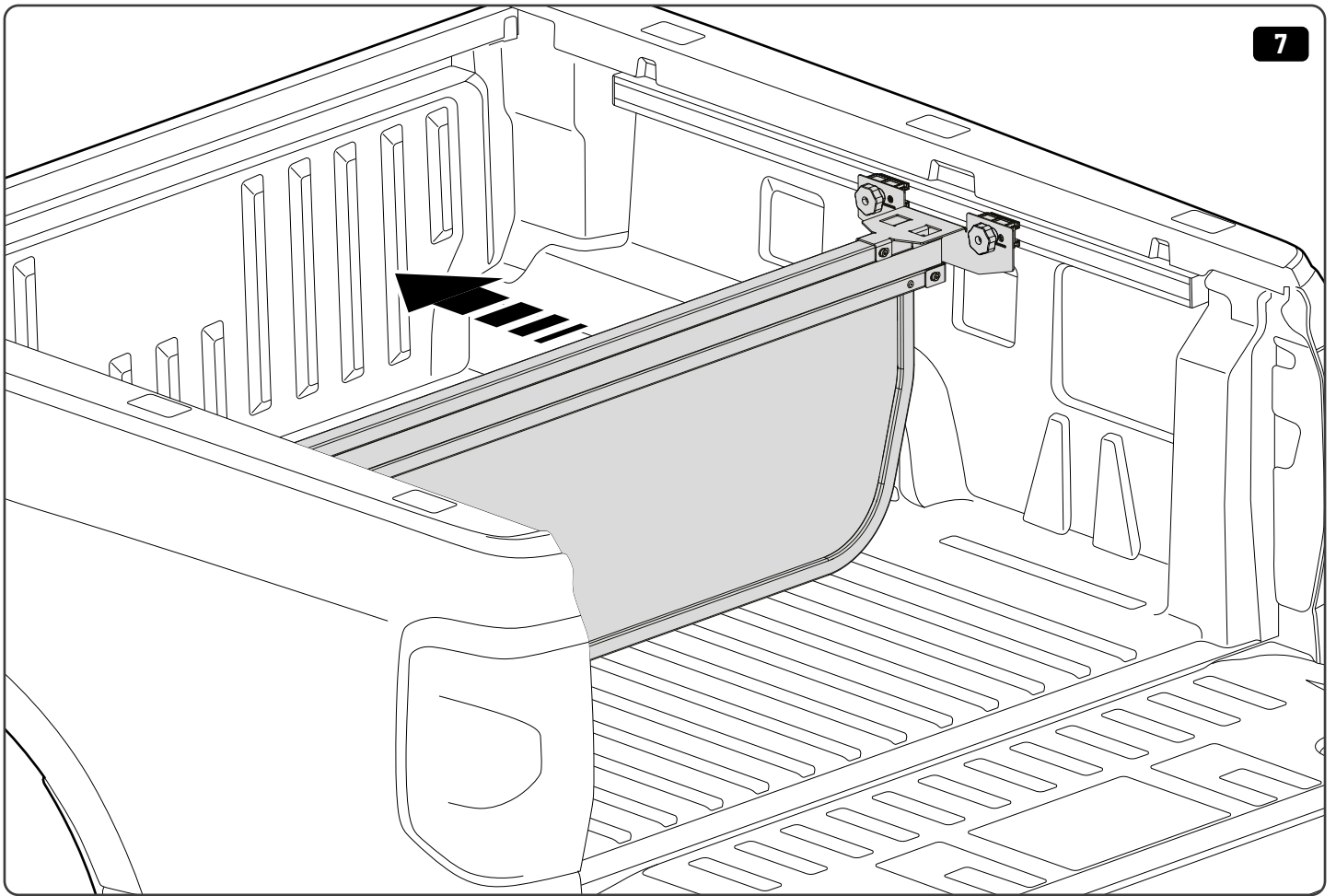


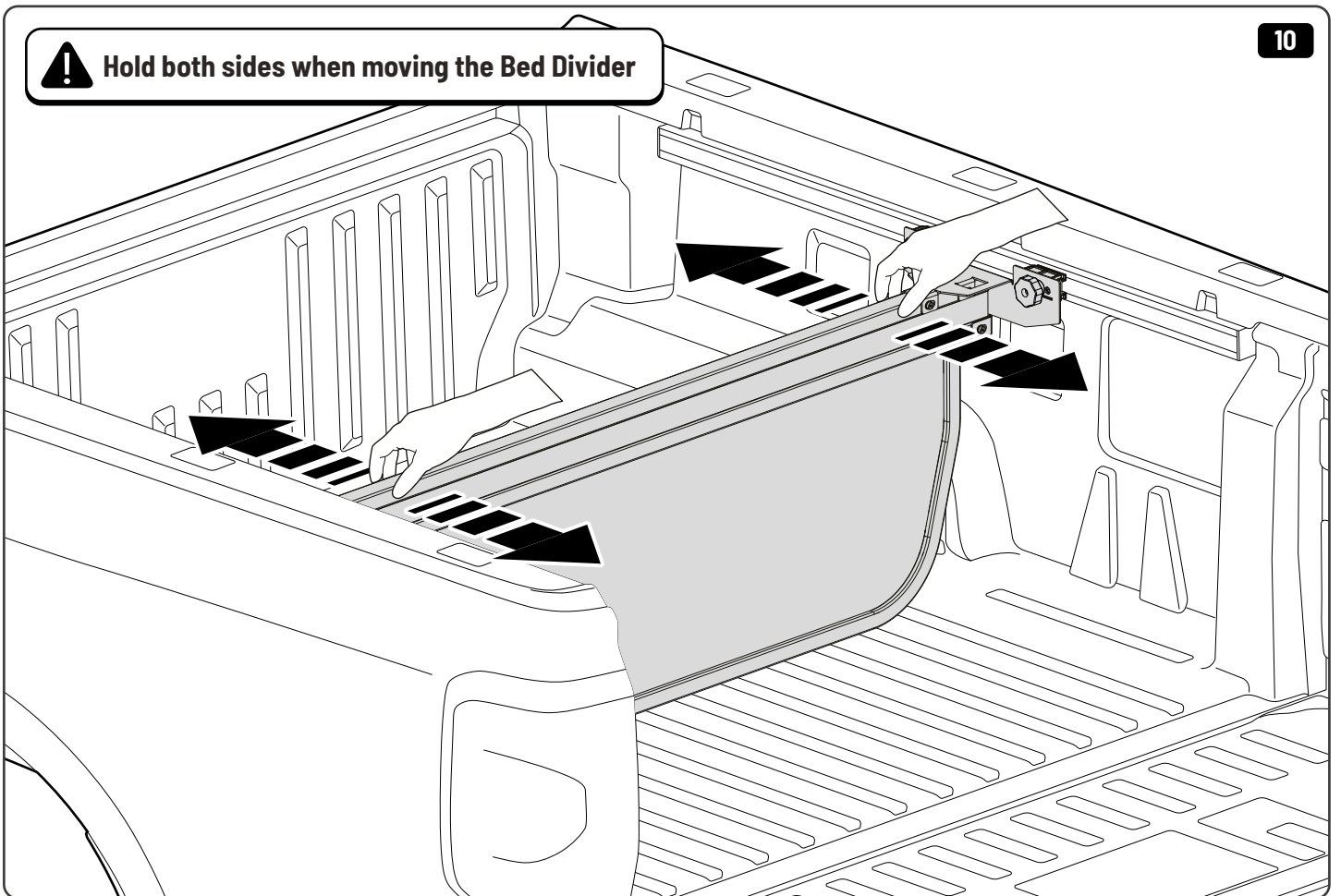
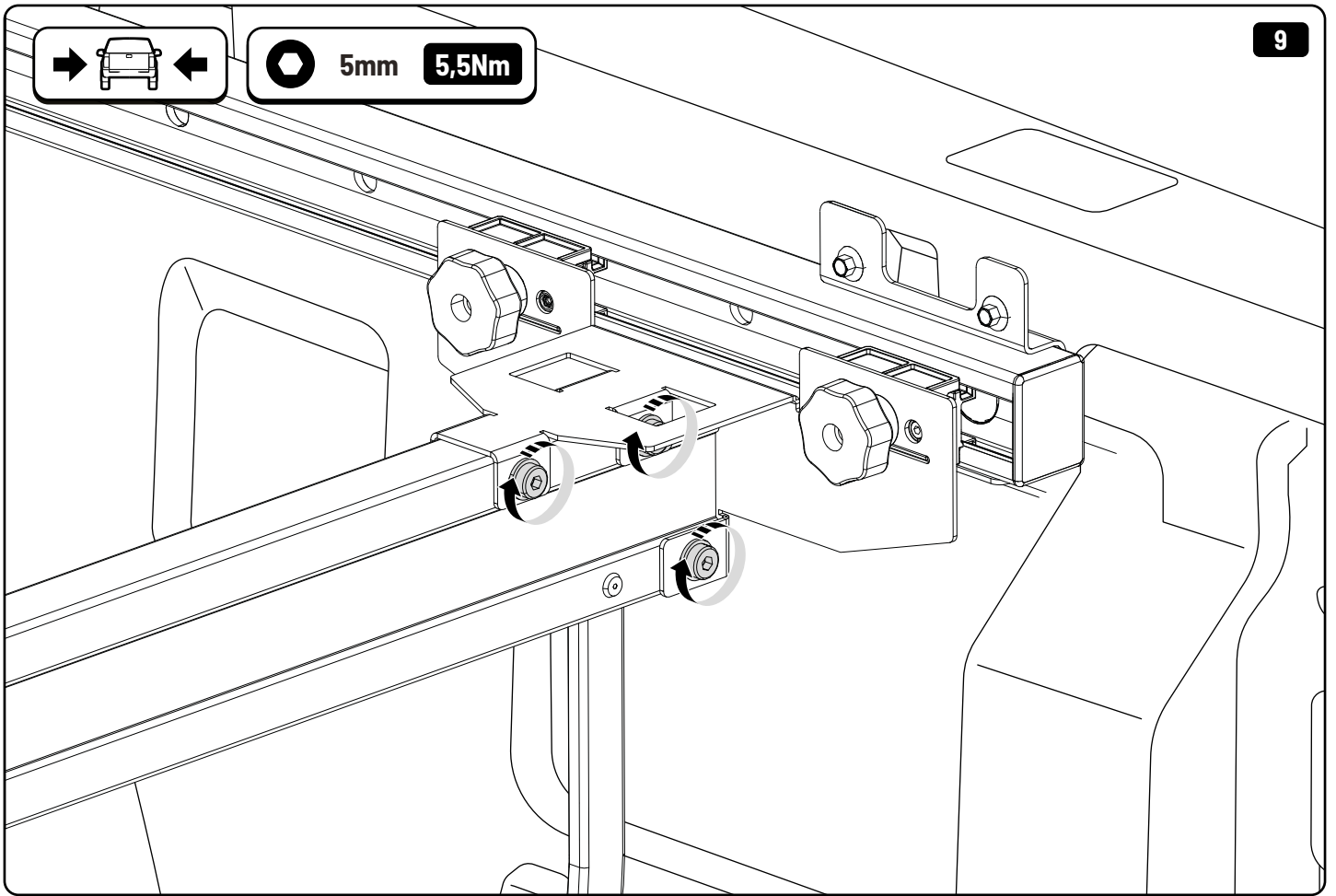
⊙ 5 mm

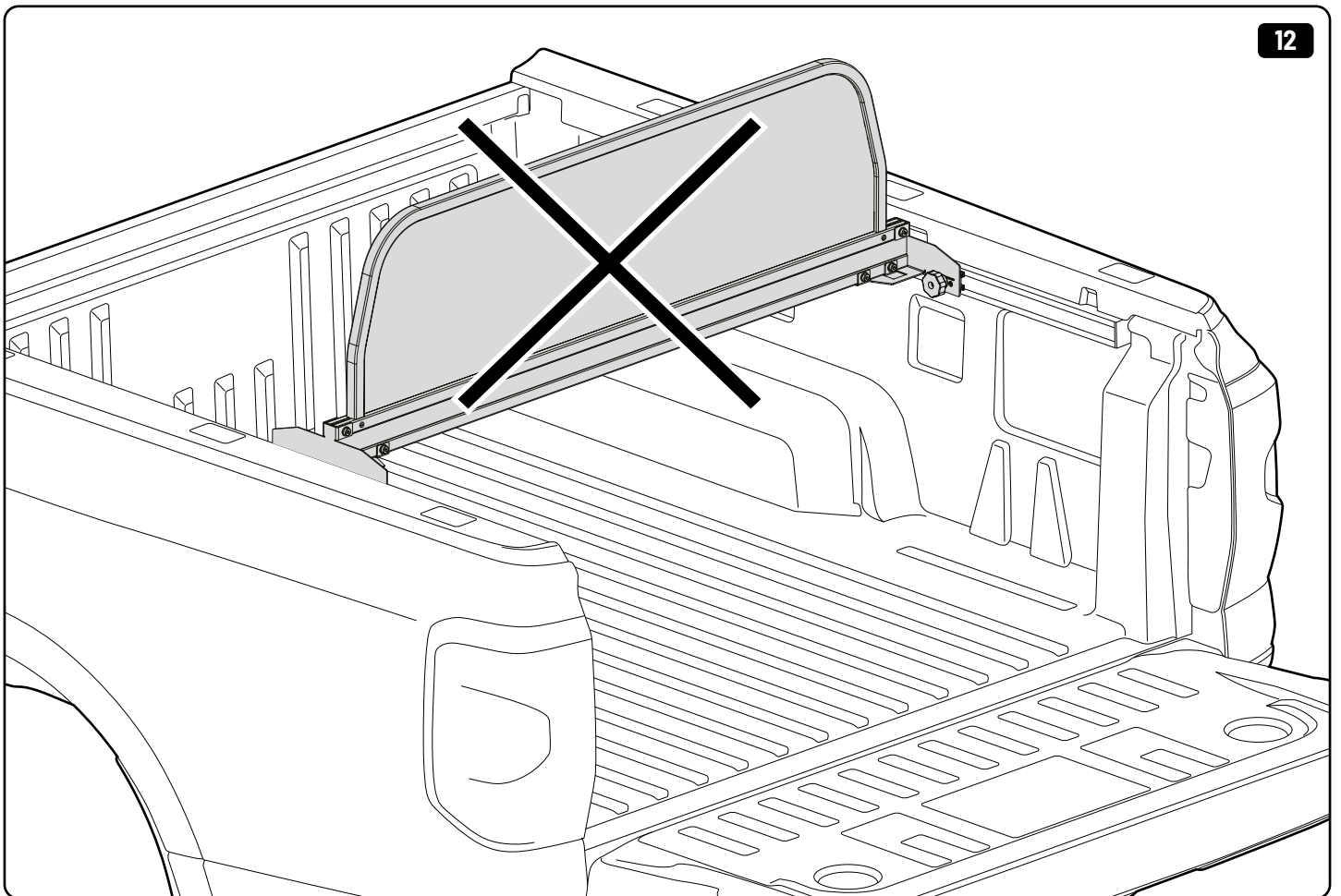
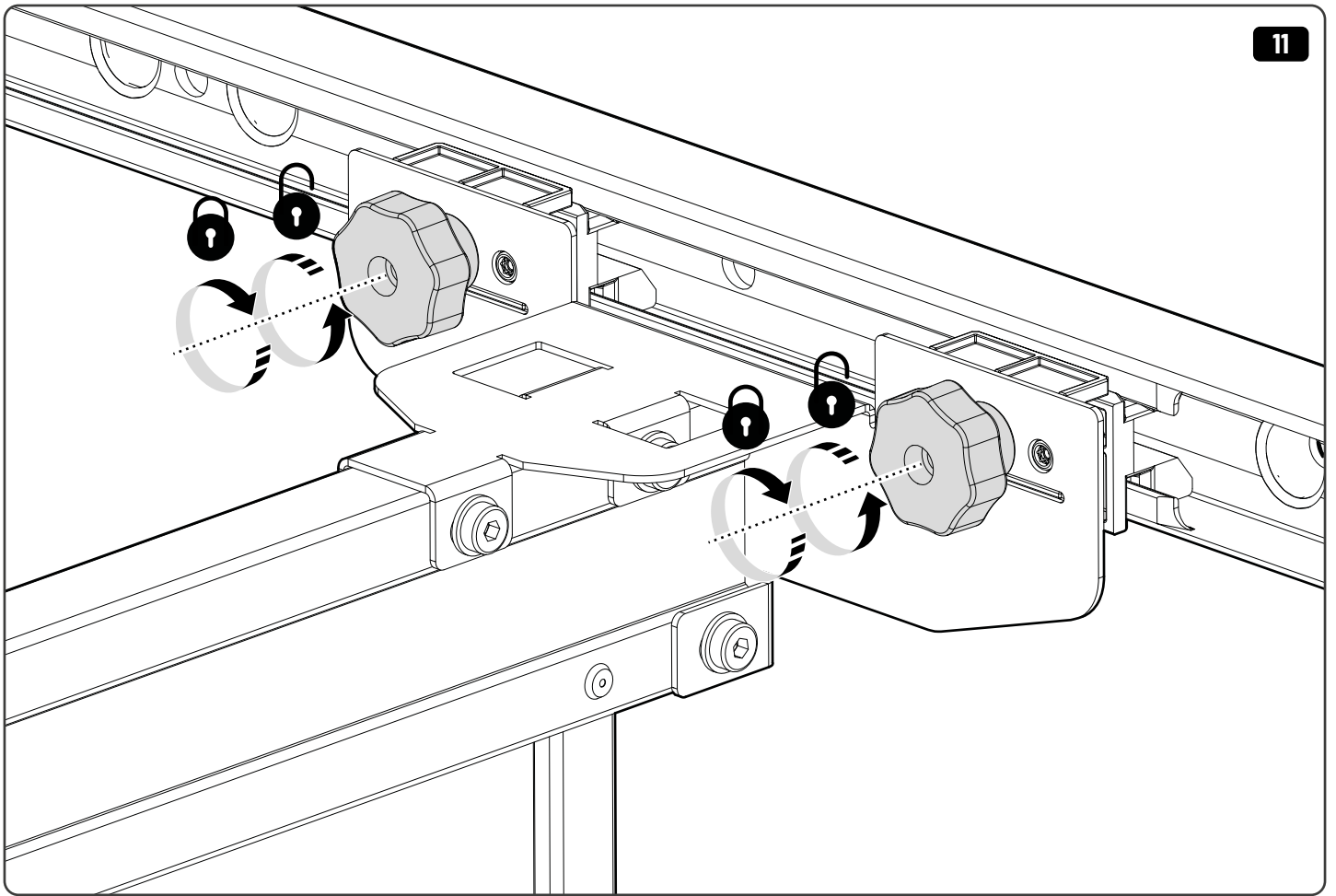


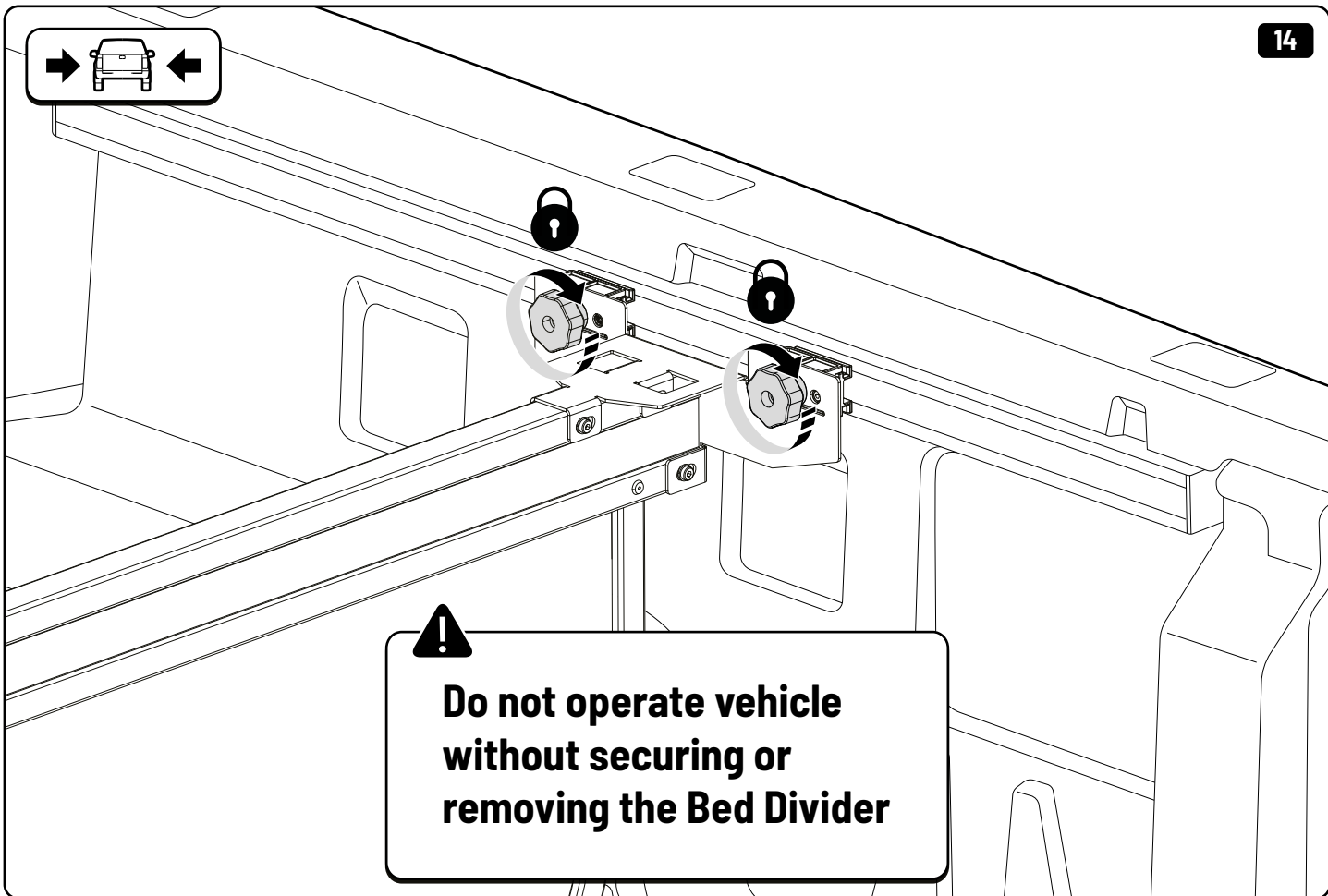
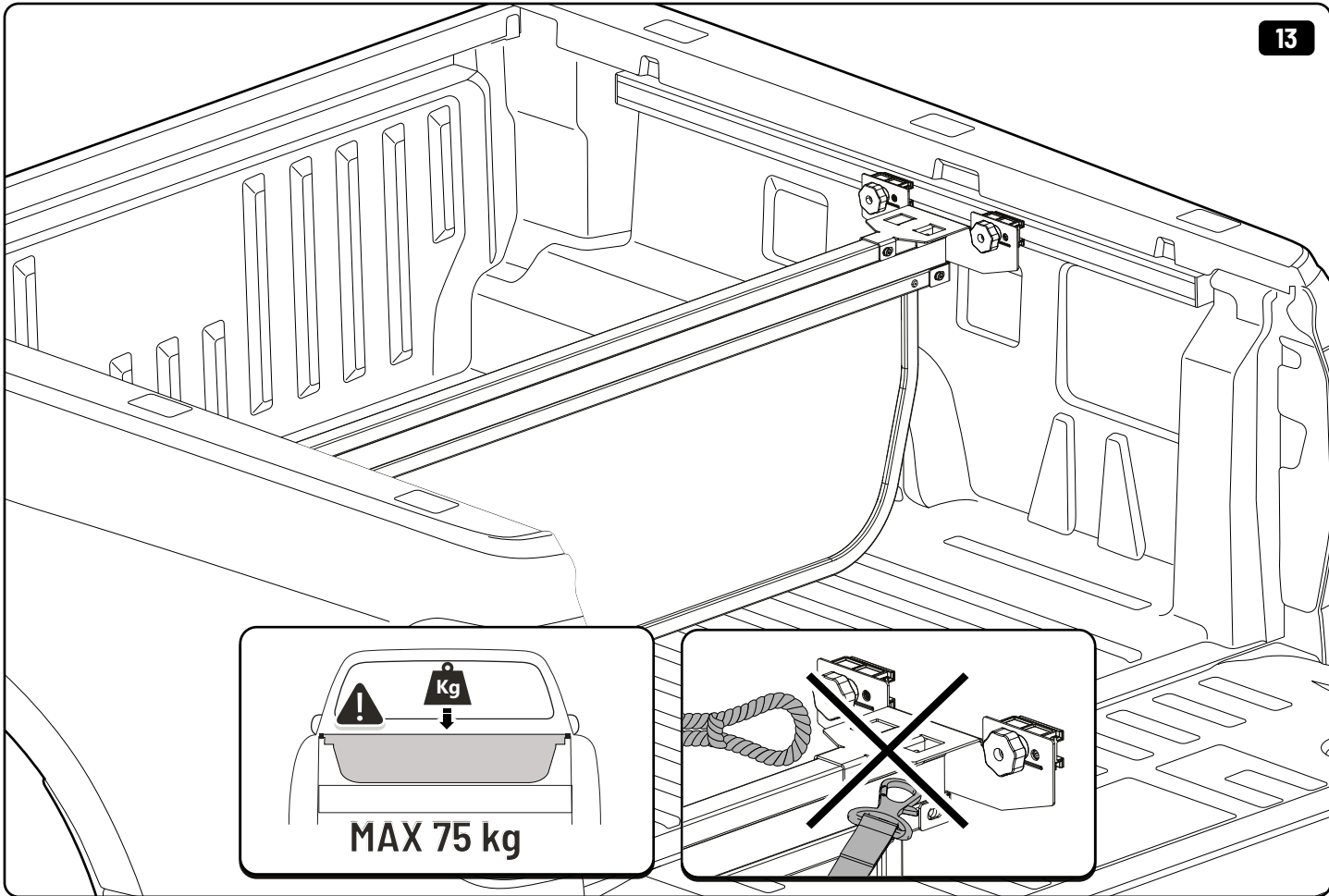














Customer Service +45 4810 2950 (08:00 - 16:00 CET)
Support info@mountaintop.dk
Website www.mountaintop.dk
Address Pedersholmparken 10, 3600 Frederikssund, Denmark

Part number (s)	Model / Year	Cab type (s)	Installation time	Weight
BD F010/11	Ford / 2022 -> TD	Double / Rap Cab	30 Minutes	6 kg
VP1WZ 9940380 A (AMP1WJ 16G040 AA)	Ford Ranger/ 2022 ->	Double / Rap Cab	30 Minutes	6 kg

GB Installation manual	S Monteringsanvisning	D Einbauanleitung
SF Asennusohje	E Instrucciones di montaje	CZ Návod k instalaci
F Notice de montage	H Szerelési utasítás	I Istruzioni di montaggio
PL Instrukcja montażu	P Instruções de instalação	GR Οδηγίες Εγκατάστασης
NL Installatie-instructies	RUS Инструкция по установке	DK Monteringsvejledning
TR Montaj Talimatı	N Monteringsveiledning	RO Instructiuni de instalare