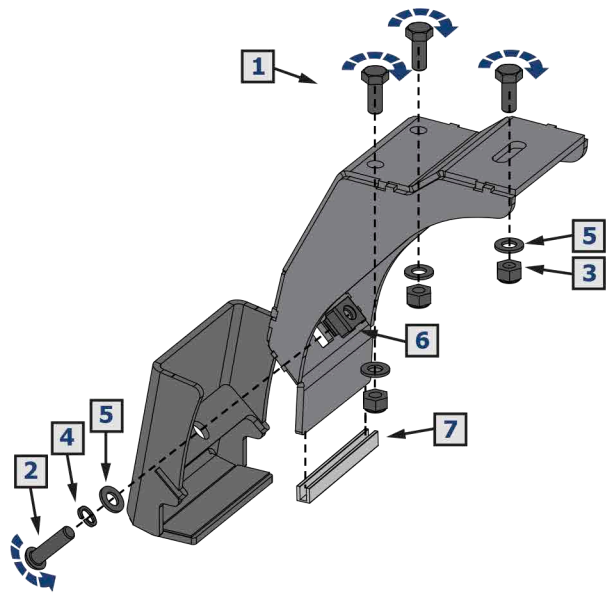
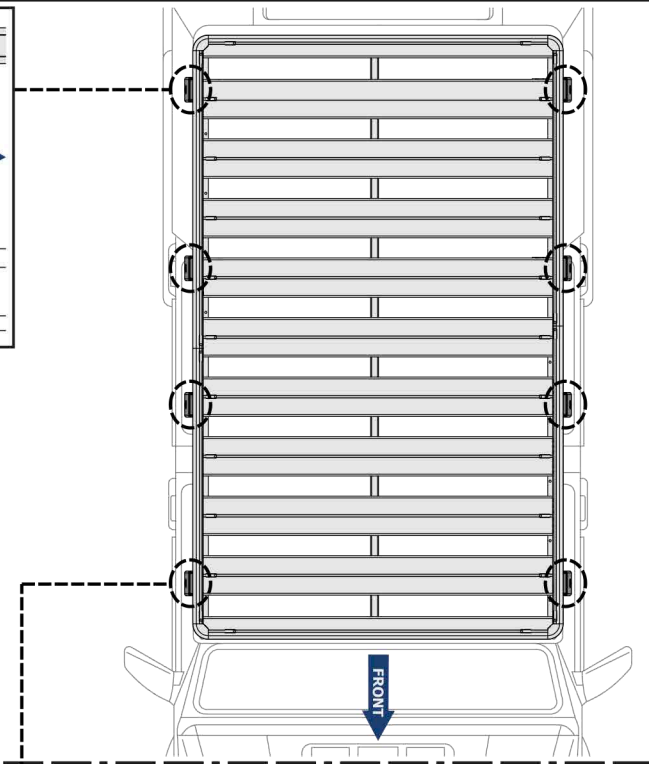
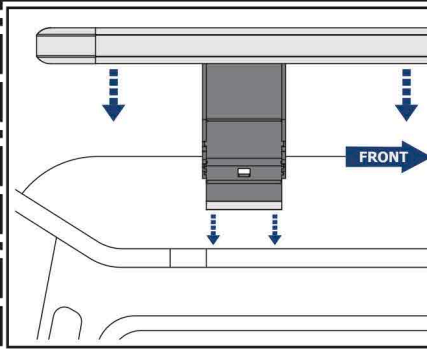
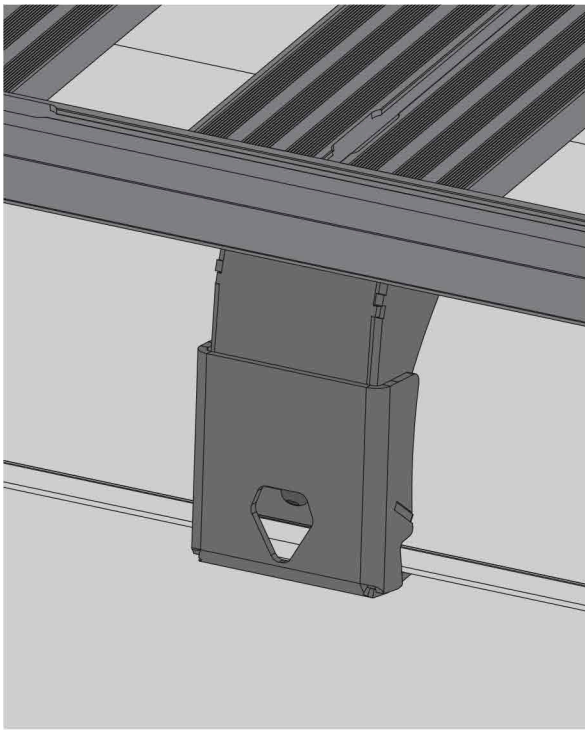


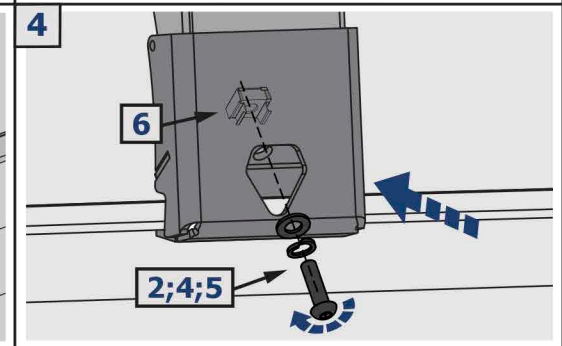
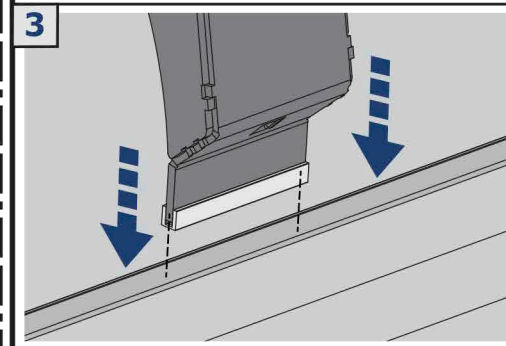
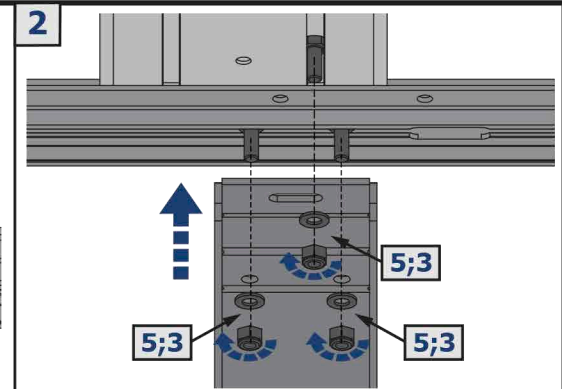
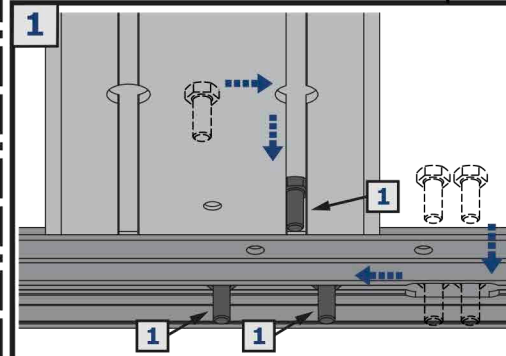


GUTTER MOUNTS for Mercedes-Benz G-class (1979-)

2M.3901.K



- | | | | | | | | | | | | | | |
|----------|----|----------|----|----------|----|----------|----|----------|----|----------|----|----------|----|
| 1 | | 2 | | 3 | | 4 | | 5 | | 6 | | 7 | |
| M8x20 | x6 | M8x20 | x2 | M8 | x6 | ø8 | x2 | ø8 | x8 | M8 | x2 | | x2 |

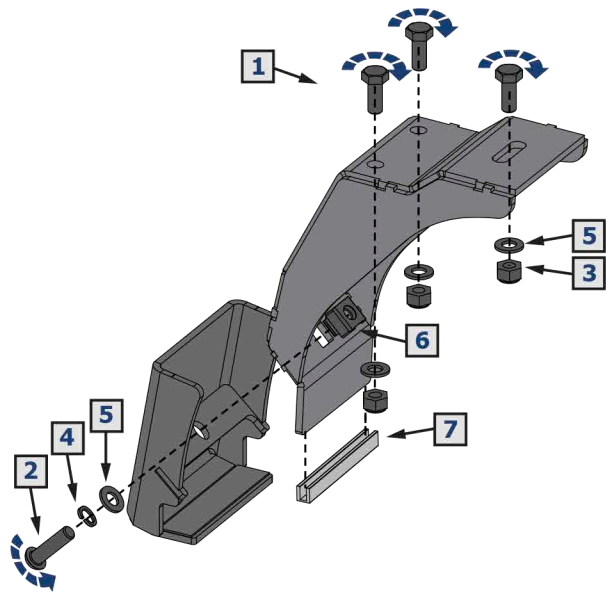
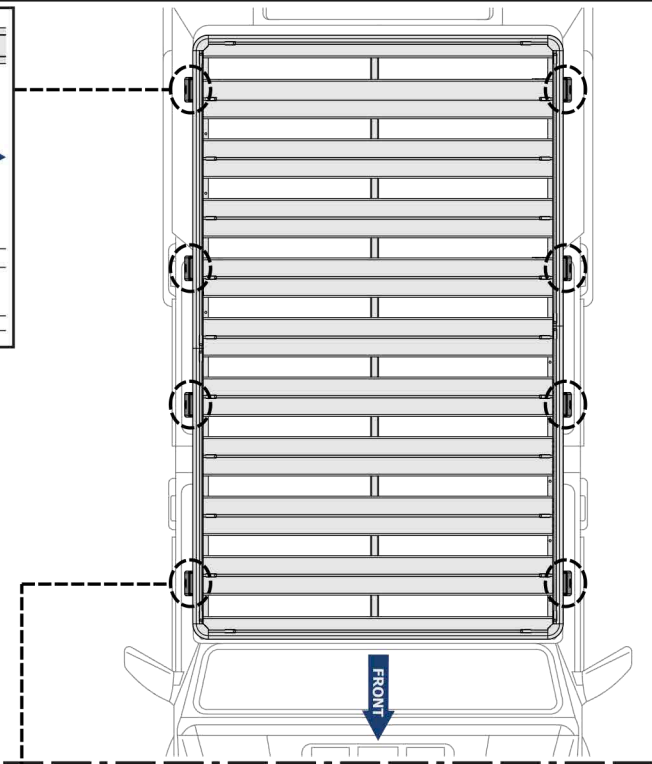
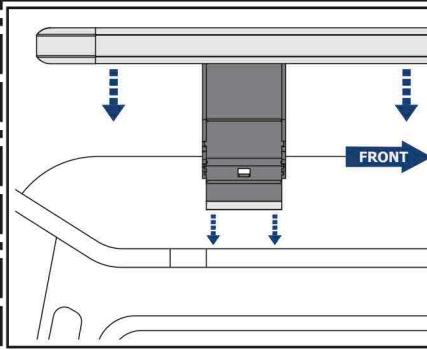
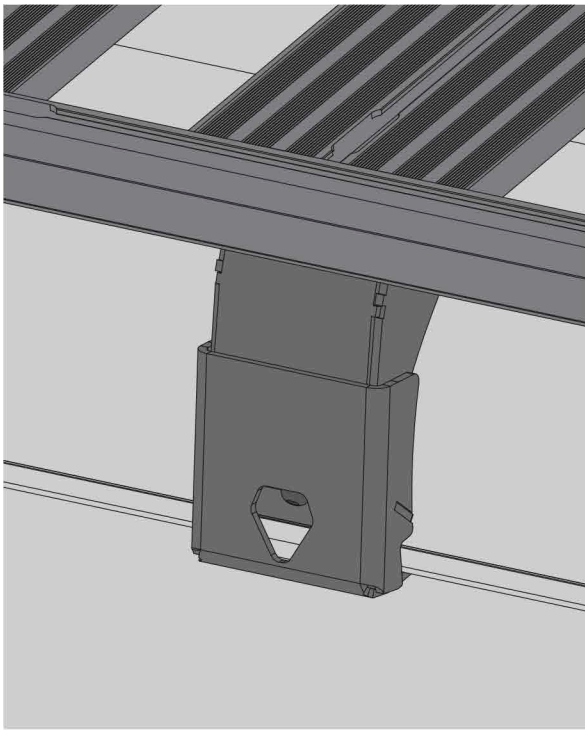




GUTTER MOUNTS

for Mercedes-Benz G-class
(1979-)

2M.3901.K



1		2		3		4		5		6		7	
M8x20	x6	M8x20	x2	M8	x6	ø8	x2	ø8	x8	M8	x2		x2

