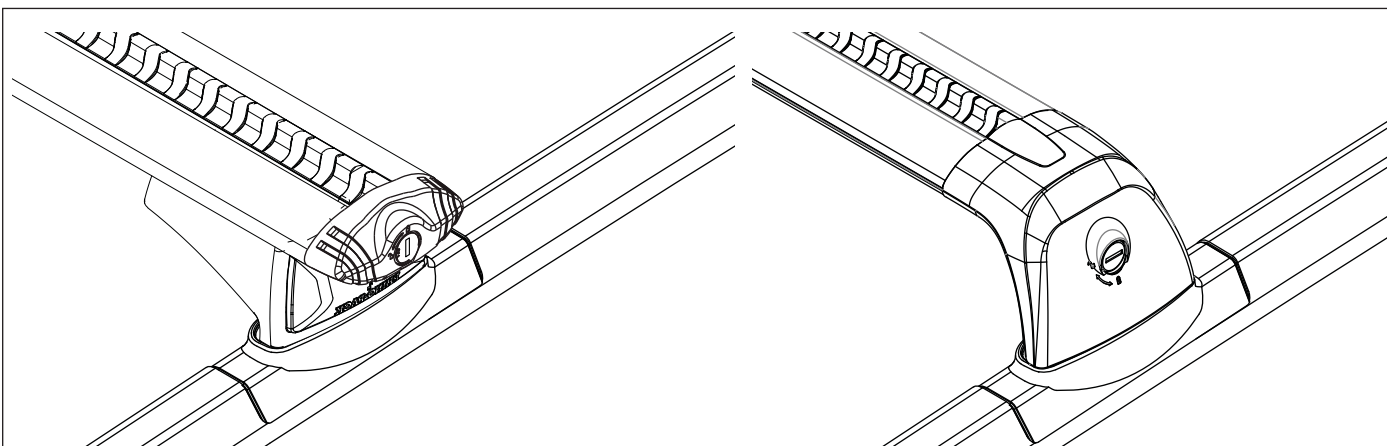


RHINO-RACK

RCP04-BK Nissan X-Trail

Important: Please read these instructions carefully prior to installation. Please refer to your fitting instruction to ensure that the roof racks are installed in the correct locations. Check the contents of kit before commencing fitment and report any discrepancies



Note: Crossbars and legs sold as separate.

Important Information

1. Check Part No./Kit is correct
2. Read through instruction before installing
3. Fit roof rack accessory
4. Check and recheck all fasteners are secure

Maximum carrying capacity: 70kg (154lbs). **Note: Be sure to check the Rhino-Rack website to see if you have the latest version of instructions before beginning installation.**

Recommendations:

It is essential that all bolt connections be checked after driving a short distance when you first install your cross bars. Bolt connections should be checked again at regular intervals (probably once a week is enough, depending on road conditions, usage, loads and distances travelled). You should also check the cross bars each time they are re-fitted. Make sure to fasten your load securely. Please ensure that all loads are evenly distributed over the two cross bars and that the centre of gravity is kept as low as possible.

Use only non-stretch fastening ropes or straps.

Caution:

The handling characteristics of the vehicle change when you transport a load on the roof. For safety reasons, we recommend exercising extreme care when transporting large wind-resisting loads; special consideration must be taken into account when negotiating corners and under braking.

Please remove cross bars when putting vehicle through an automatic car wash.

Load Ratings:

Maximum permissible load is **70kg evenly distributed over the two cross bars**. When cross bars are to be used in off-road conditions, please build a safety factor of 1.5 into this load limit. **46kg maximum for off-road conditions (101lbs)**. Although the cross bars are tested and approved to AS1235-2000, Australian road conditions can be much more rigorous. Increasing the number of cross bars does not increase the vehicles maximum permissible roof loading.

Note for Dealers and Fitters:

It is your responsibility to ensure instructions are given to the end user or client.

Rhino-Rack
3 Pike Street, Rydalmere,
NSW 2116, Australia.
(Ph) (02) 9638 4744
(Fax) (02) 9638 4822

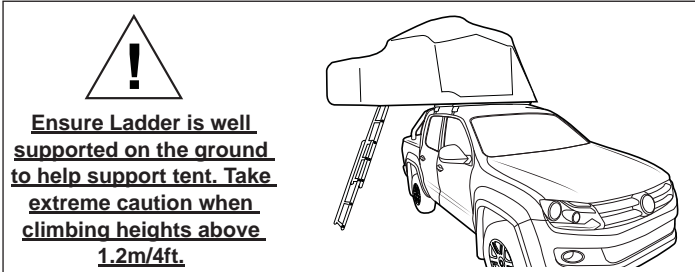
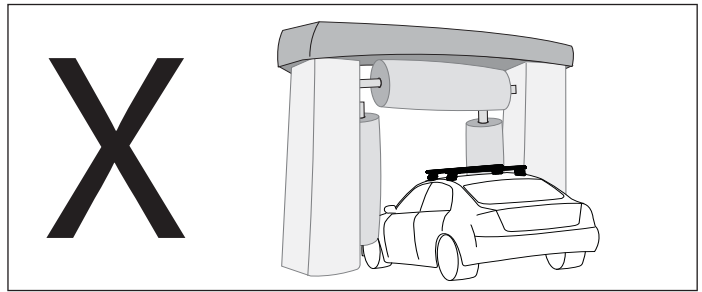
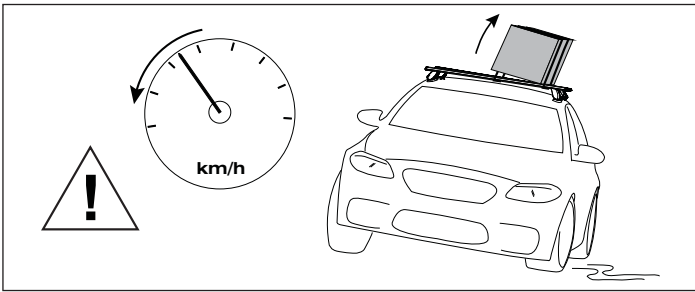
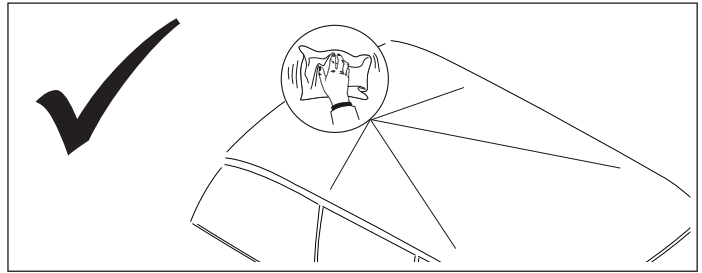
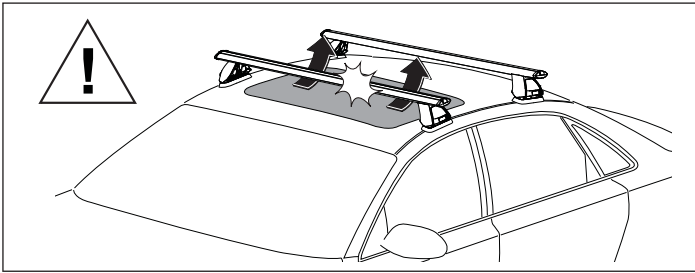
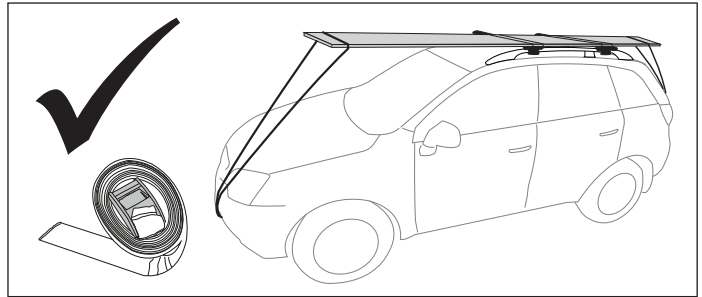
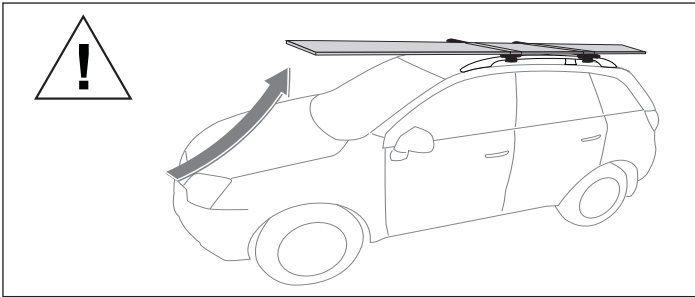
Document No: R1307
Prepared By: Kayle Everett
Authorised By: Chris Murty

Fit Time: 15min
Issue No: 02
Issue Date: 24/11/2017

These instructions remain the property of Rhino-Rack Australia Pty. Ltd. and may not be used or changed for any other purpose than intended.



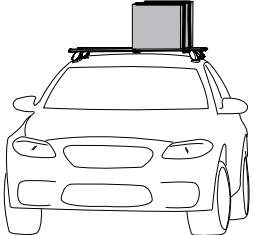
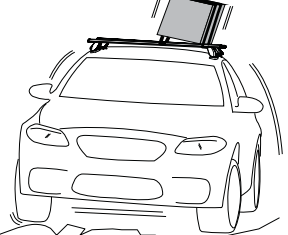
RCP04-BK Nissan X-Trail



When these roof racks are to be used on a vehicle that is driven off sealed roads the maximum load rating must be divided by 1.5. Remember to subtract the weight of the roof racks to determine your maximum permissible load capacity.

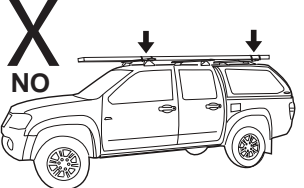
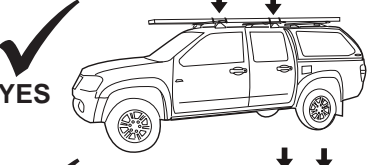
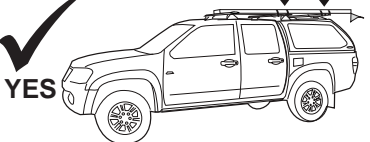
2 bars 70kg (154lbs) load rating (Urban road)	=	2 bars 46kg (101lbs) load rating (Off road)
---	---	---

Load rating not taking into account crossbar weight - 5kg

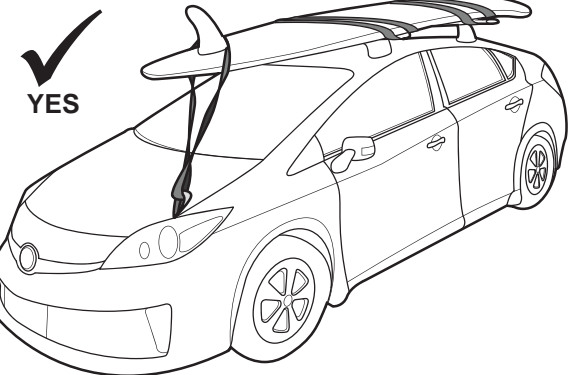



WARNING! Important Load Carrying Instructions

With utility vehicles, the cabin and the canopy move independently. Roof racks and vehicle can be damaged if the item transported is rigidly fixed at points on both the cabin and canopy. Instead, rigidly fix to either the cabin roof racks or the canopy roof racks.

Paddle/ Surfboards should be fixed to the front of the vehicle.

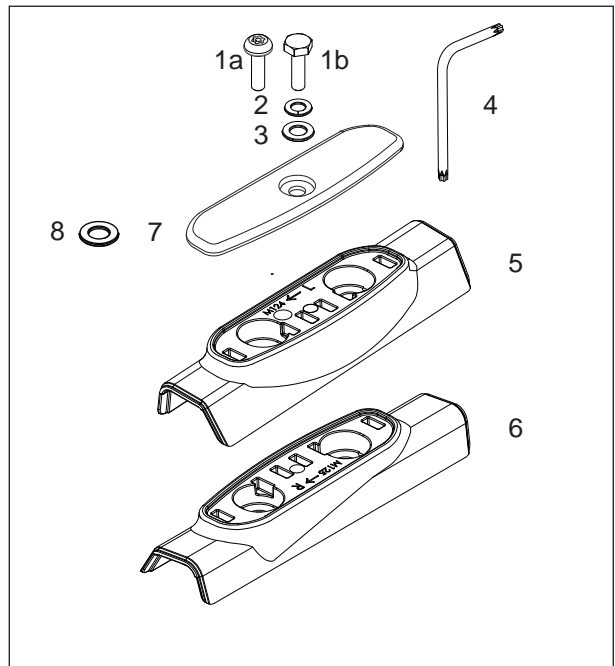




RCP04-BK Nissan X-Trail

Parts List

Item	Component Name	Qty	Part No.
1a	M6 x 27mm Torx Screw	8	B245
1b	M6 x 30mm Hex Setscrew	4	B202
2	M6 Spring Washer	12	W004
3	M6 x 16mm Flat Washer	12	W031
4	Torx Key	1	H054
5	Pad Left	2	M124
6	Pad Right	2	M125
7	Pad Mount Cover Plate	4	M126
8	M6 Washer (used on cover plate)	4	W003
9	Instructions	1	R1307

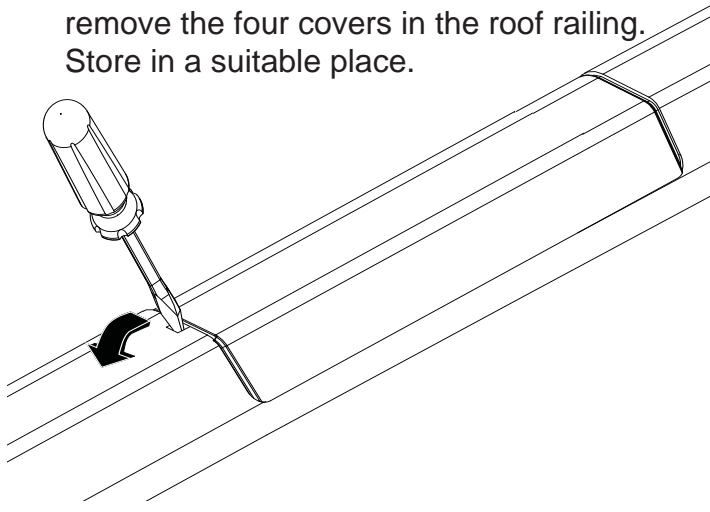


Tools Required:

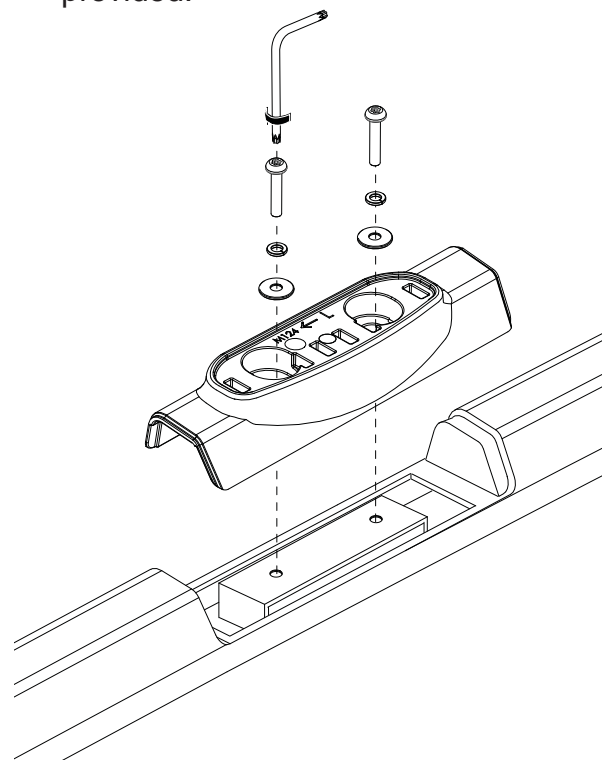
Phillips Head Screw Driver
 Flat Head Screw Driver
 Allen Key (provided)

Instructions

- 1** Use a suitable flat head screw driver to remove the four covers in the roof railing. Store in a suitable place.



- 2** Place the left pads on the left hand side of the vehicle, the right pads on the right hand side. For each pad use two M6 x 27mm torx screws with a M6 spring washer and M6 x 16mm flat washer as shown. Centre the pad before tightening. Fasten the pad to the roof's metal bracket to a torque of 5Nm, using the security allen Key provided.



- 3** Fit crossbars as per corresponding instructions. When crossbars are not in use, remove and install the mount cover plates with the M6 hardware provided.

