

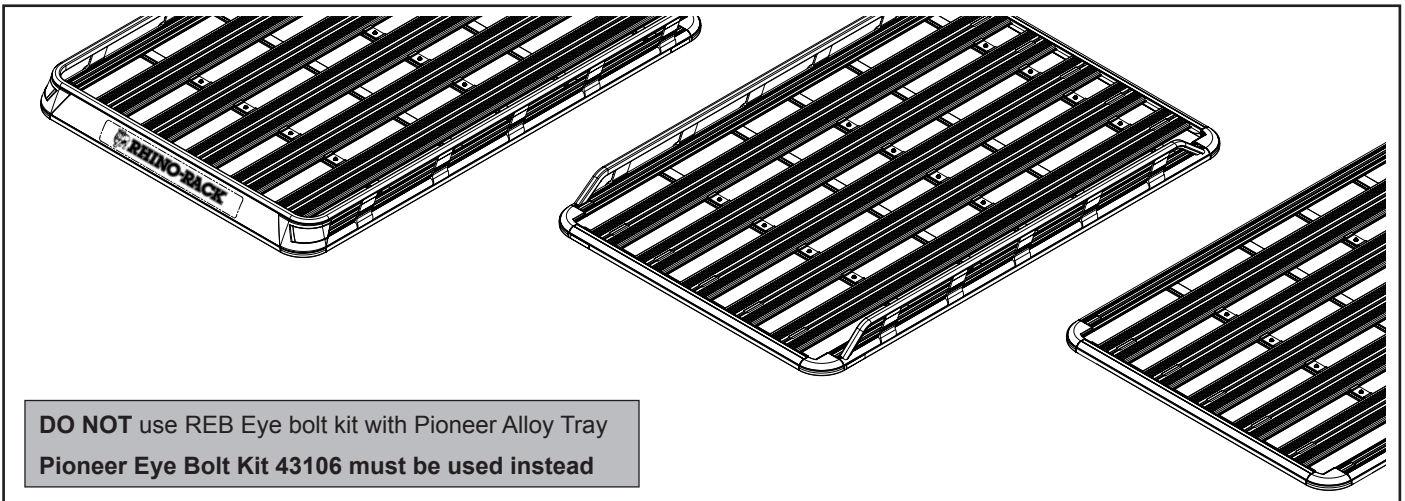


# RHINO-RACK

## Pioneer Tray, Pioneer Platform & Pioneer Tradie

Place these instructions in the vehicle's glove box after installation is complete.

**Important:** Please read these instructions carefully prior to installation.  
Check the contents of this kit before commencing fitment and report any discrepancies.  
Place these instructions in the vehicle's glove box after installation is complete.



**Care Instruction:** Wash vehicle roof prior to installing Rhino Pioneer Alloy Tray.

### Download your Vehicle Fitment Sheet

Individual fitment sheets exist for every vehicle and tray size available, they provide specific fitment information that is relevant to each individual vehicle.

Fitment sheets can be downloaded from the RhinoRack Website under 'Fit My Car'  
Simply select the make and model of the vehicle, select the Pioneer tray of choice and click on instructions:

<http://www.rhinorack.com.au/fit-my-car/select-vehicle>

### Important Information

Load Ratings ..... Page 3

Recommendations..... Page 3

Sensitivity to cross winds, behaviour in curves and braking..... Page 3

Use only non-stretch fastening ropes or straps.

Please remove cross bars when putting vehicle through an automatic car wash.

**Note for Dealers:** It is your responsibility to ensure instructions are given to the end user or client.

Rhino-Rack  
3 Pike Street, Rydalmere,  
NSW 2116, Australia.  
(Ph) (02) 9638 4744  
(Fax) (02) 9638 4822

Document No: RS-393  
Prepared By: Nigel Greig  
Authorised By: Chris Murty

Issue No: 29  
Issue Date: 12/10/2015

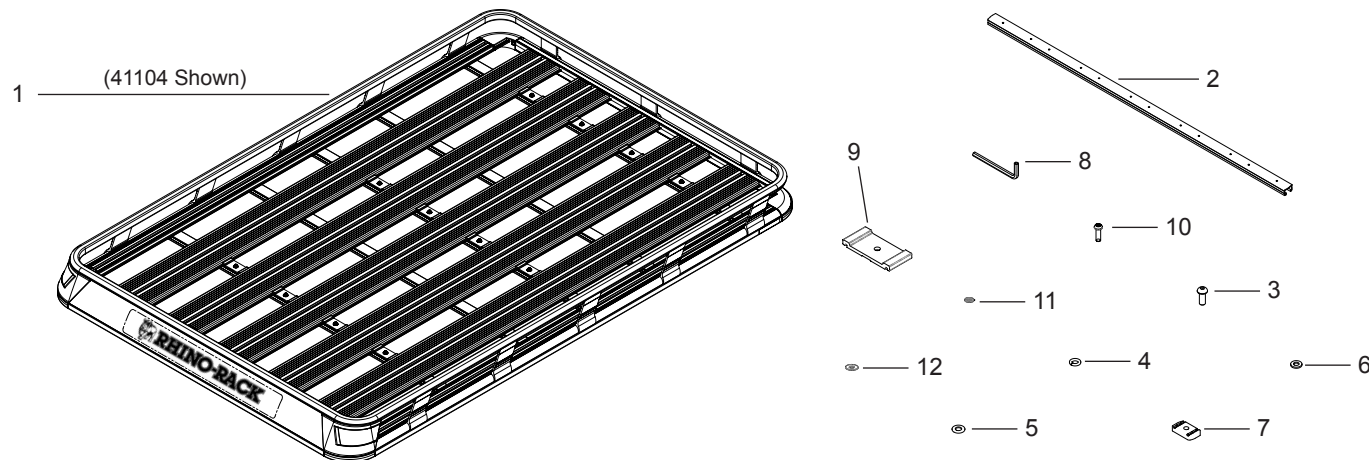
These instructions remain the property of Rhinorack Australia Pty Ltd and may not be used or changed for any other purpose than intended.



## Pioneer Tray, Pioneer Platform & Pioneer Tradie

Item	Component Name	Part No.	Quantity									
			41100 42100B 45100B	41101 42101B 45101B	41102 42102B 45102B	41103 42103B 45103B	41104 42104B 45104B	42105B	41107 42107B 45107B	41108 42108B 45108B	42109B 45109B	
1	Pioneer Tray Assembly - Black	-	1	1	1	1	1	1	1	1	1	1
2	Crossbar Black	-	2	2	3	3	3	4	3	3	2	
3	M8 x 20mm Dome Socket Screw Blk	B155-BLK	4	4	6	6	6	8	6	6	4	
4	M8 Spring Washer Black	W019-BLK	4	4	6	6	6	8	6	6	4	
5	M8 Flat Washer OD17mm Black	W020-BLK	4	4	6	6	6	8	6	6	4	
6	M8 Flat Washer OD15 x 2.5mm Blk	W036 (OD21)	4	4	6	6	6	8	6	6	4	
7	M8 Channel Nut Black	N003-BLK	4	4	6	6	6	8	6	6	4	
8	5mm Security Allen Key	H034	1	1	1	1	1	1	1	1	1	
9	Locking Tab Black	A523	6	8	9	12	12	16	9	12	6	
10	M6 x 20mm Security Screw Black	B062-BLK	6	8	9	12	12	16	9	12	6	
11	M6 Spring Washer Black	W004-BLK	6	8	9	12	12	16	9	12	6	
12	M6 x OD16 Flat Washer Black	W031-BLK	6	8	9	12	12	16	9	12	6	
13	Fitting Instructions	RS-393	1	1	1	1	1	1	1	1	1	

More tray sizes listed on following page



### Tools Required

Tape Measure  
 Rubber Mallet  
 16mm Ring Spanner  
 Phillips Screwdriver  
 5mm Security Allen Key (provided in kit)



## Pioneer Tray, Pioneer Platform & Pioneer Tradie

### Parts List

Item	Component Name	Part No.	Quantity			
			42110B 45110B	42111B 45111B	42112B	42113B
1	Pioneer Tray Assembly - Black	-	1	1	1	1
2	Crossbar Black	-	2	2	2	3
3	M8 x 20mm Dome Socket Screw Blk	B155-BLK	4	4	4	6
4	M8 Spring Washer Black	W019-BLK	4	4	4	6
5	M8 Flat Washer OD17mm Black	W020-BLK	4	4	4	6
6	M8 Flat Washer OD15 x 2.5mm Blk	W036 (OD21)	4	4	4	6
7	M8 Channel Nut Black	N003-BLK	4	4	4	6
8	5mm Security Allen Key	H034	1	1	1	1
9	Locking Tab Black	A523	8	8	8	12
10	M6 x 20mm Security Screw Black	B062-BLK	8	8	8	12
11	M6 Spring Washer Black	W004-BLK	8	8	8	12
12	M6 x OD16 Flat Washer Black	W031-BLK	8	8	8	12
13	Fitting Instructions	RS-393	1	1	1	1

### Important information

**Maximum carrying capacity: Refer vehicle manufacturer specifications, less weight of alloy tray below (includes leg kits):**

41100 = 24kg, 41101 = 27kg, 41102 = 30.5kg, 41103 = 34kg, 41104 = 38kg, 41107 = 33kg, 41108 = 33.5kg.

42100B = 19.5kg, 42101B = 22.5kg, 42102B = 25kg, 42103B = 29.5kg, 42104B = 32kg, 42105B = 40kg, 42107B = 27.5kg, 42108B = 28.5kg, 42109B = 17.5kg, 42110B = 20kg, 42111B = 21kg, 42112B = 16kg, 42113B = 30kg.

45100B = 21.5kg, 45101B = 24.5kg, 45102B = 27.5kg, 45103B = 32kg, 45104B = 35kg, 45107B = 30.5kg, 45108B = 31kg, 45109B = 19.5kg, 45110B = 21.5kg, 45111B = 23kg.

#### Recommendations:

It is essential that all bolt connections be checked after driving a short distance when you first install your cross bars. Bolt connections should be checked again at regular intervals (probably once a week is enough, depending on road conditions, usage, loads and distances travelled). You should also check the alloy tray each time it is re-fitted. Make sure to fasten your load securely. Please ensure that all loads are evenly distributed and that the centre of gravity is kept as low as possible.

#### Sensitivity to cross winds, behaviour in curves and braking.

The handling characteristics of the vehicle, changes when you transport a load on the roof. For safety reasons, we recommend you exercise extreme care when transporting wind-resisting loads; special consideration must be taken into account when braking.

#### Load Ratings:

Maximum permissible load is set by the vehicle manufacturer less the weight of trays above (weights above include leg kits). When alloy trays are to be used in off-road conditions, please build a safety factor of 1.5 into this load limit. Although the alloy trays are tested and approved to AS1235-2000, Australian road conditions can be much more rigorous. However, increasing the number of mount points to the vehicle does not increase the vehicles maximum permissible roof loading.

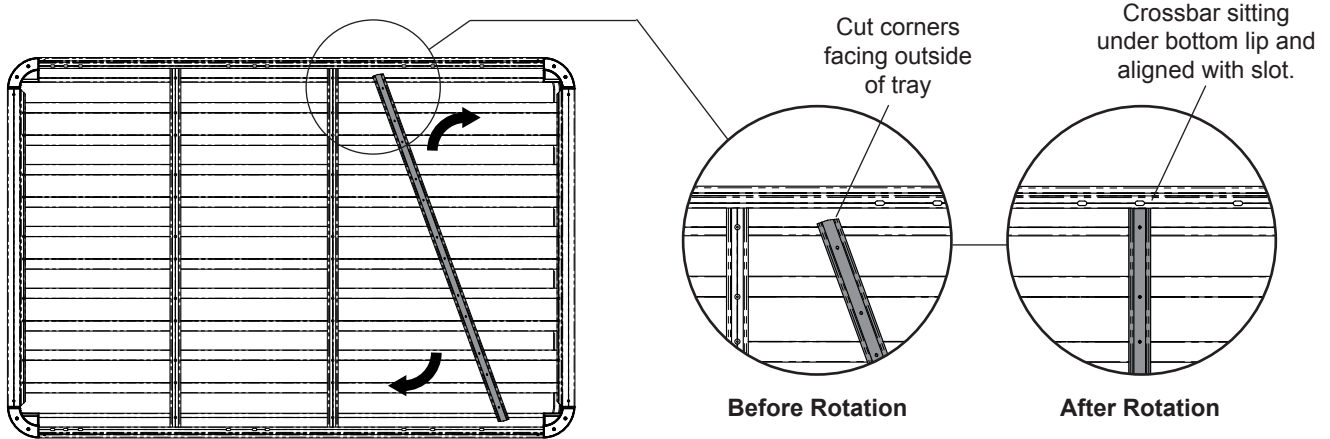


## Pioneer Tray, Pioneer Platform & Pioneer Tradie

### 1 Insert Crossbars. **Note: For CXB fitment, turn to page 9.**

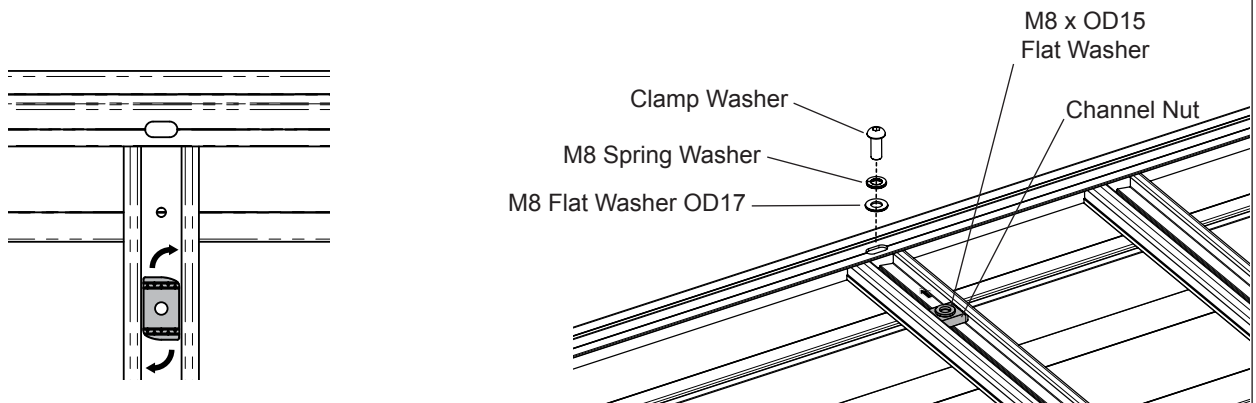
Lay the tray upside down in your work area being careful not to scratch the alloy tray finish. Refer **Fitting Chart** at rear of this document (or online [www.rhinorack.com.au](http://www.rhinorack.com.au) for the latest vehicle listings) and select the correct slots to suit your vehicle. Lower the crossbars into the tray as shown and rotate into position.

**Note:** The front of the platform tray is identified by the slots in the top of the planks.



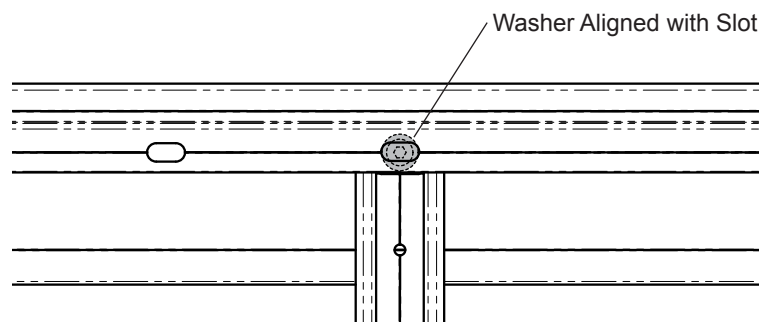
### 2 Insert Hardware

Place channel nut within the crossbar as shown below and rotate 90 degrees. Place clamp washer on top of the channel nut and slide both to the outside of the tray so they sit under the slot. Proceed to fit remaining hardware as shown but do not tighten at this stage. Repeat this process for both ends of each crossbars.



### 3 Centre Crossbars and Fix in Position

Align crossbars so that the washer sits centred over the slot, you may need to tap the crossbar into position with a rubber mallet. Once the crossbar is in position tighten bolt with allen key provided.

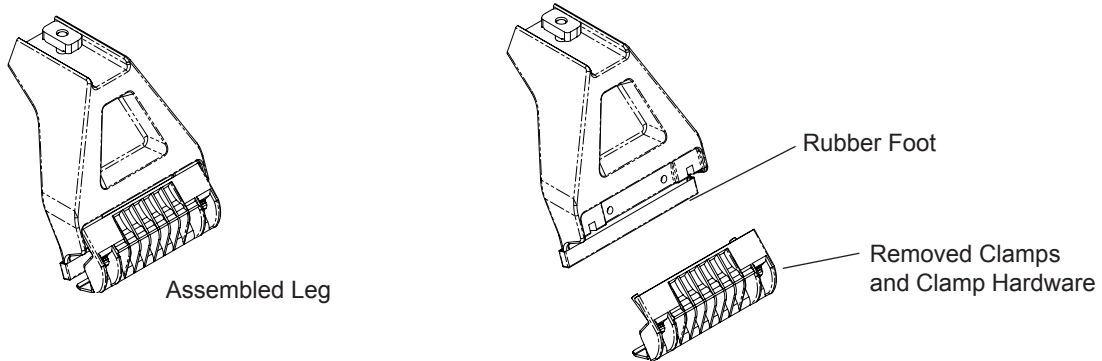




## Pioneer Tray, Pioneer Platform & Pioneer Tradie

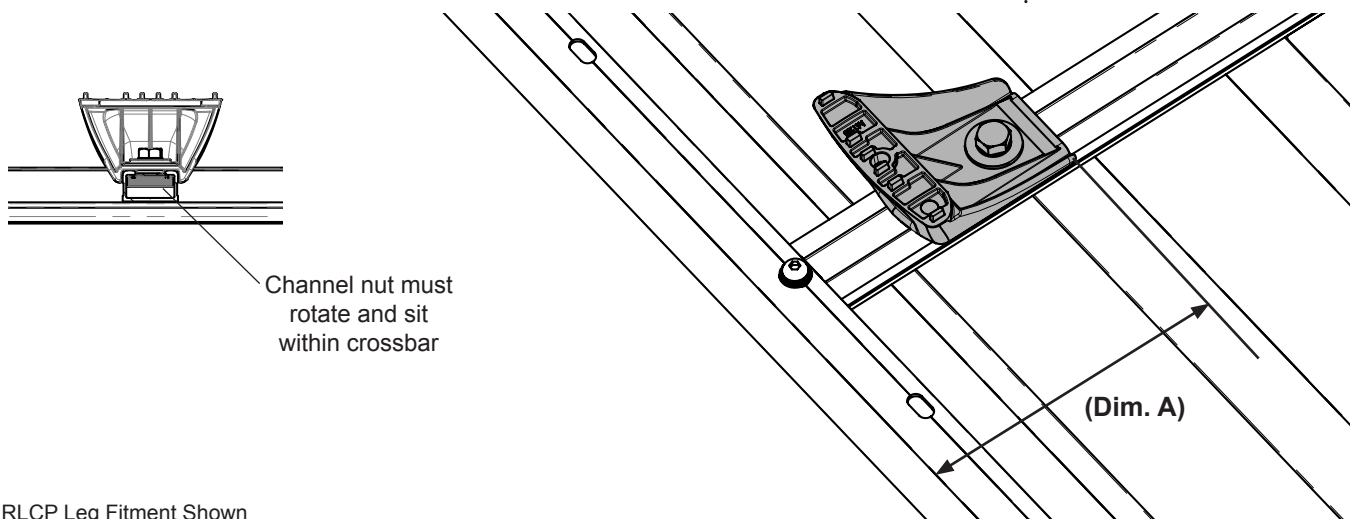
### 4 RL Leg Fitments Only - Remove Clamps

If your fitment requires the use of RL legs remove the clamps from the legs as shown below. This makes positioning the tray on the vehicle much easier and ensures that the vehicle is not scratched by the metal clamps during fitment.



### 5 Fit Legs to Tray

Fit the appropriate legs (as specified in Rhino Fit Guide) to the insertable crossbars previously fitted in step 1. Refer to the **Fitting Chart** at back of this instruction for 'Dimension A'. Fasten each leg in this position making sure the channel nut rotates within the crossbar as shown below.





## Pioneer Tray, Pioneer Platform & Pioneer Tradie

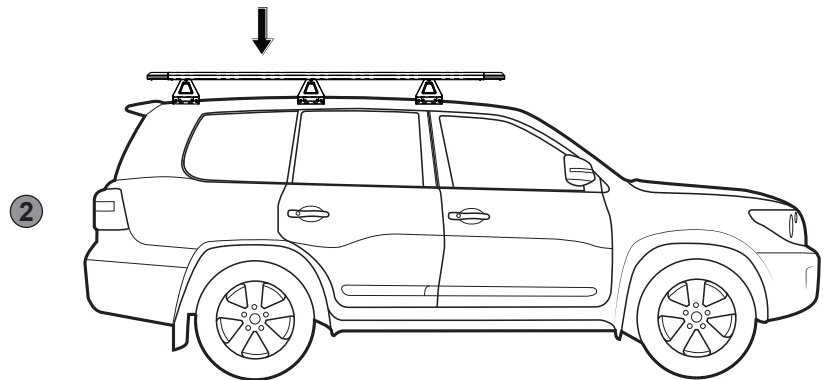
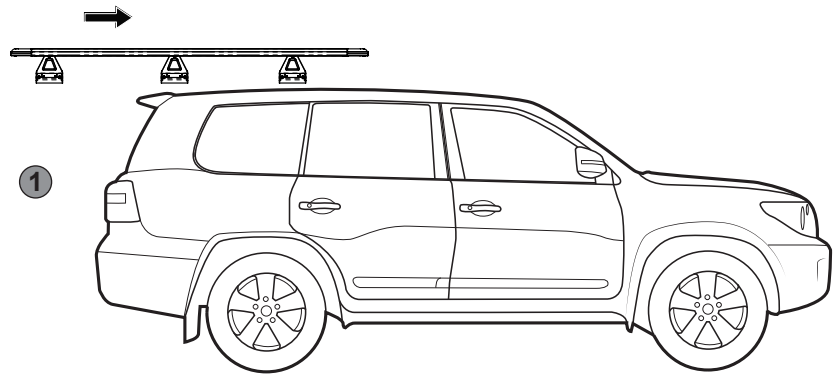
### 6 Fit Alloy Tray to Vehicle

With a person on either side of the tray, lift the tray up and walk it over the vehicle from the rear.

Lower the tray onto the vehicle making sure that the base of the legs locate within the fitment point for that vehicle.



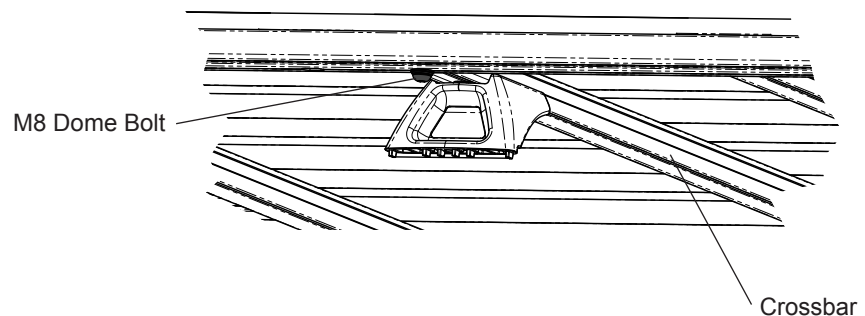
**Note:** For vehicles with tailgates that lift up, be sure to position the tray so that it clears the tailgate when fully open.



### 7 RLCP Leg/Crossbar Adjustment (if required)

If any of the RLCP legs **HAVE NOT** dropped neatly into the recess in the top of the pads you will have to adjust the crossbar position. If the RLCP legs sit neatly within all of the pads you can proceed to the next step.

If adjustment is required release the M8 dome bolt at the edge of the tray (shown below) with the allen key provided. Tap the crossbar until the leg drops into the recess in the top of the pad and re-tighten the M8 dome bolt.





## Pioneer Tray, Pioneer Platform & Pioneer Tradie

8

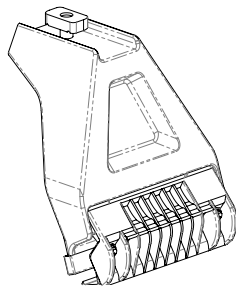
### Fasten Legs to Vehicle

Secure the tray to the vehicle by fastening each of the legs in position. Refer images below for the appropriate system being used on your vehicle:

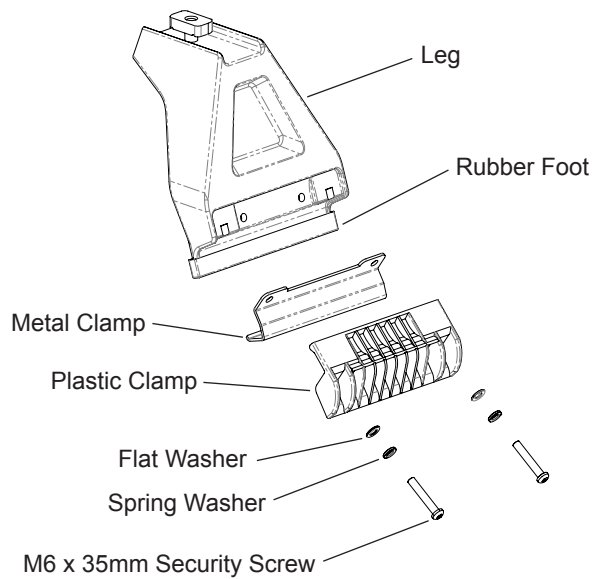
#### RL Leg Fitment

Re-fit the clamp brackets and hardware previously removed in Step 10. Refer leg kit fitting instructions for details on fitting the clamps securely to the vehicle.

*Tip:* You may need to place a finger behind the leg and hold the dowel nut in position. This will also allow you to rotate the dowel nut to align the thread.

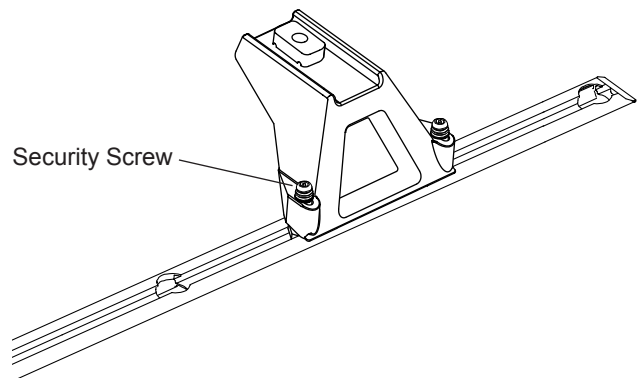
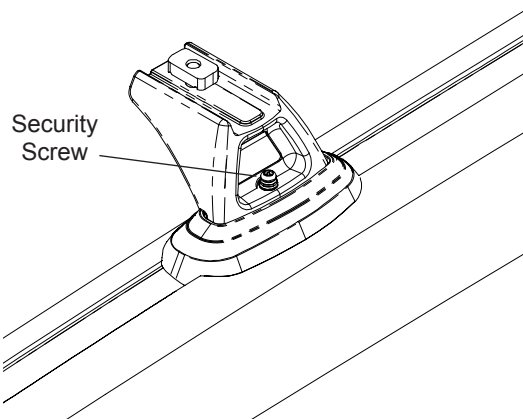


Assembled Leg



#### RLCP & RLTP/RLTF Leg Fitment

Tighten security screws to secure the legs to the vehicle as shown below.





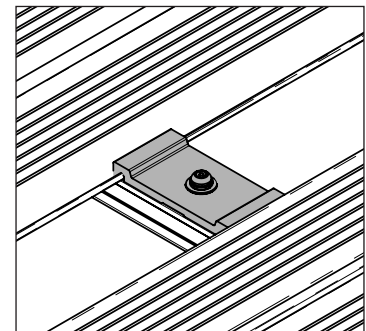
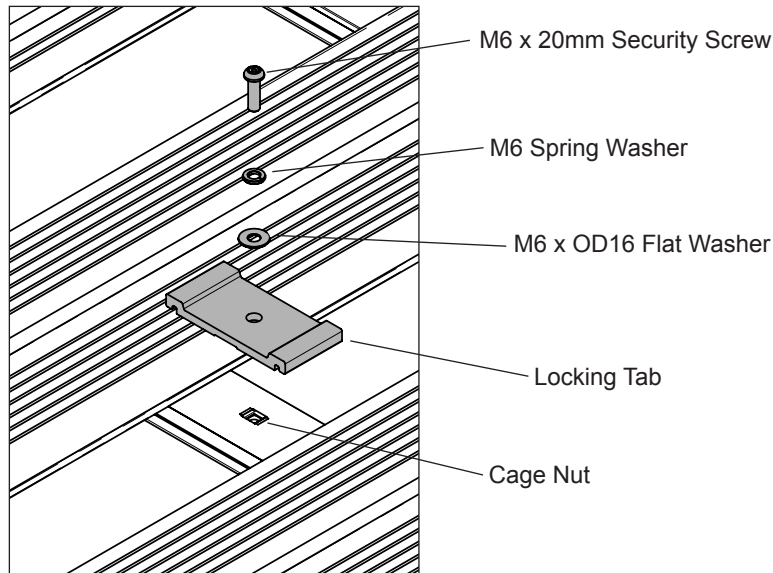


## Pioneer Tray, Pioneer Platform & Pioneer Tradie

9

### Fit Locking Tabs

Fit locking tabs to secure the planks to the crossbars. Use the hardware shown below to fit the locking tabs to the cage nuts within the crossbars. All locking tabs are required to hold tray firmly in position.



Fitted Locking Tab

### Important !

It is important that all roof racks and accessories are installed and attached correctly. Failure to follow correct attachment procedure could result in an accident, serious injury or death to others. The driver of the vehicle is responsible for securing the roof racks and accessories, checking the attachments, periodically checking bolt torque and visual inspection of all components for wear and damage. Do not attempt to fit the roof rack system or accessory to your vehicle unless you fully understand these fitting instructions. Please direct any questions regarding fitting to the dealer or retailer from where they were purchased.

### Download your Vehicle Fitment Sheet

Individual fitment sheets exist for every vehicle and tray size available, they provide specific fitment information that is relevant to each individual vehicle.

Fitment sheets can be downloaded from the RhinoRack Website under 'Fit My Car'

Simply select the make and model of the vehicle, select the Pioneer tray of choice and click on instructions:

<http://www.rhinorack.com.au/fit-my-car/select-vehicle>

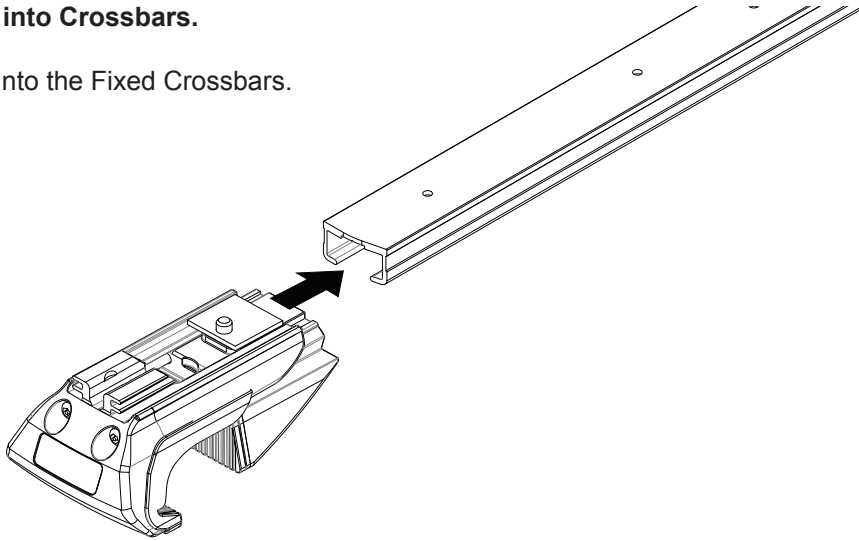




## CXB Fitment

### 1 Insert Legs into Crossbars.

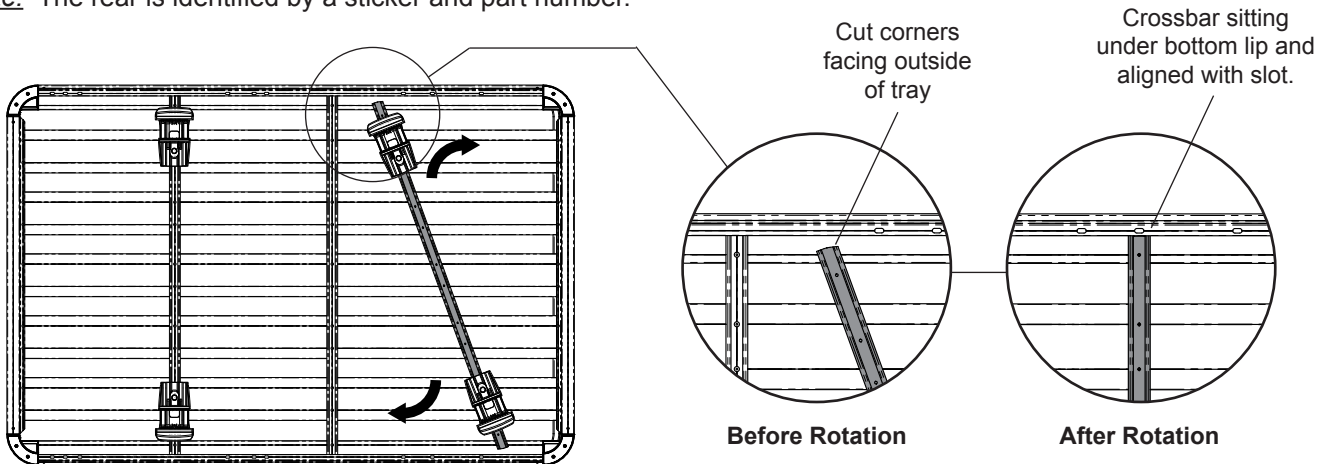
Slide the CXB legs into the Fixed Crossbars.



### 2 Insert Crossbars.

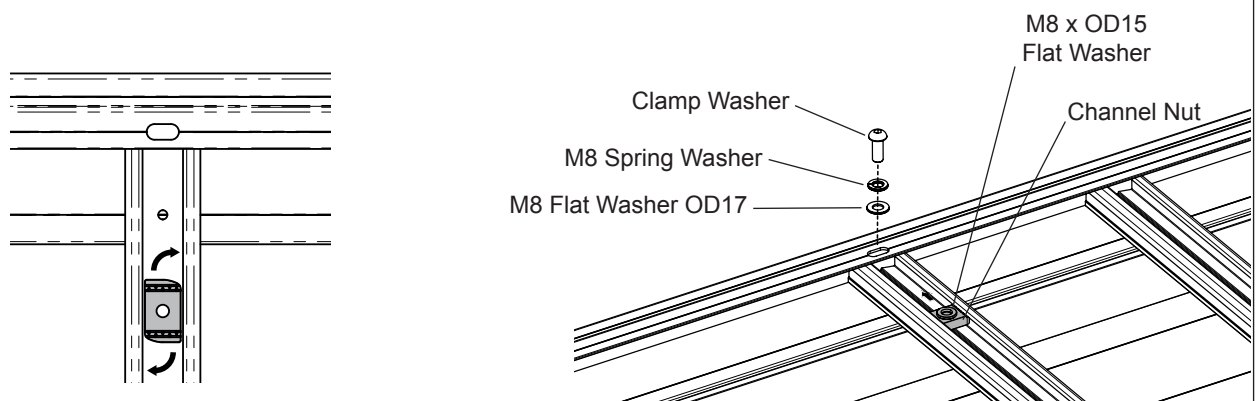
Lay the tray upside down in your work area being careful not to scratch the alloy tray finish. Refer **Fitting Chart** at rear of this document (or online [www.rhinorack.com.au](http://www.rhinorack.com.au) for the latest vehicle listings) and select the correct slots to suit your vehicle. Lower the crossbars into the tray as shown and rotate into position.

*Note:* The rear is identified by a sticker and part number.



### 3 Insert Hardware

Place channel nut within the crossbar as shown below and rotate 90 degrees. Place clamp washer on top of the channel nut and slide both to the outside of the tray so they sit under the slot. Proceed to fit remaining hardware as shown but do not tighten at this stage. Repeat this process for both ends of each crossbars.

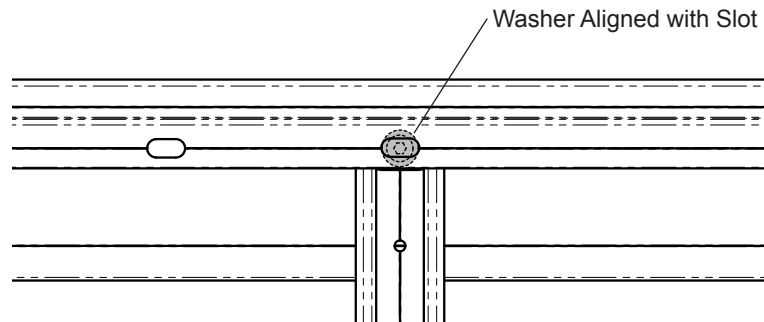




## Pioneer Tray, Pioneer Platform & Pioneer Tradie

### 4 Centre Crossbars and Fix in Position

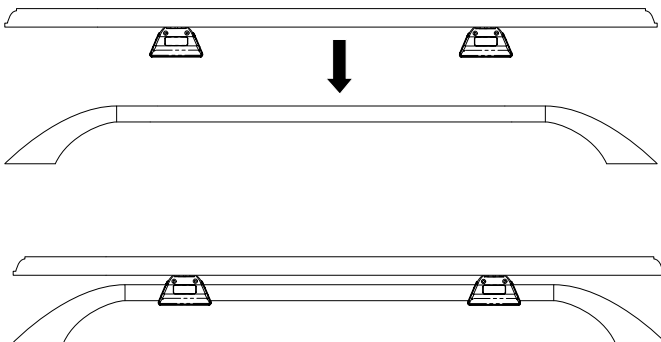
Align crossbars so that the washer sits centred over the slot, you may need to tap the crossbar into position with a rubber mallet. Once the crossbar is in position tighten bolt with allen key provided.



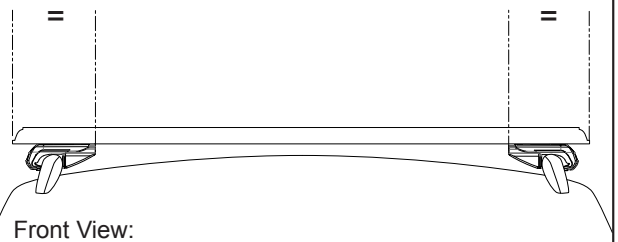
### 5 Place the Platform onto Factory Rails

Refer to vehicle specific fit sheet as to Platform positions ([www.rhinorack.com.au](http://www.rhinorack.com.au)). Be sure Platform is evenly spaced.

Side View:



The Platform must be evenly spaced on the roof.



### 6 Fix the Platform in place.

Using the allen key provided in the CXB kit, tighten the legs over the factory rails. Move to the underside of the Platform and tighten the M8 on the leg with a 13mm socket wrench. This will lock the leg in position.

