



# RHINO-RACK

Aerodynamic & Heavy Duty Roof Rack Systems

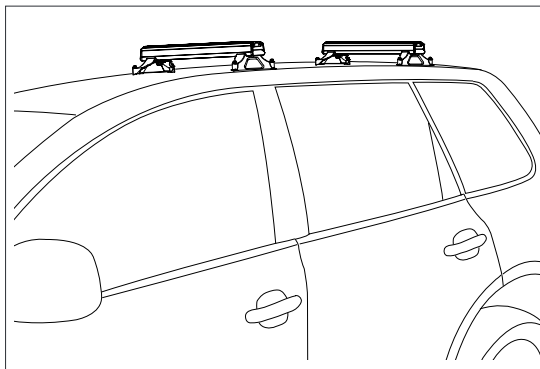
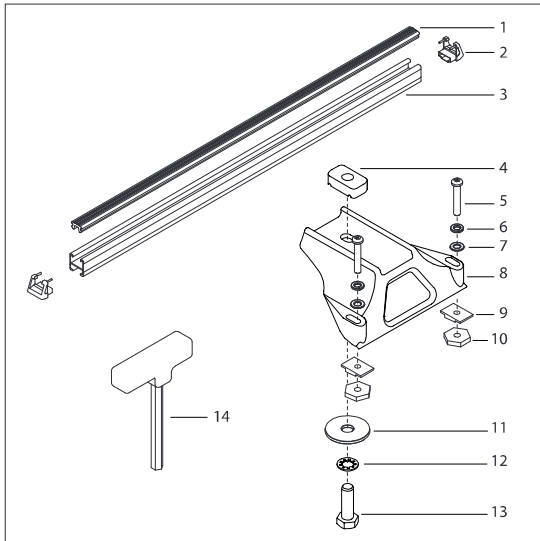
## Rhino Heavy Duty Two Bar System - VW Touareg

**Important:** Please refer to your fitting instruction to ensure that the roof racks are installed in the correct locations. Check the contents of kit before commencing fitment and report any discrepancies. Place these instructions in the vehicle's glove box after installation is complete.

### Parts List

Maximum carrying capacity: 80kg

Item	Component Name	Qty	Part No.
1	Rubber Buffer 1250mm	2	R004
2	End Cap	4	M002
3	Crossbar 1250mm	2	A020
4	M10 channel nut	4	N024
5	M6 x 40mm security screw	8	B085
6	M6 spring washer	8	W004
7	M6 x 12.5mm flat washer	8	W003
8	RLTP leg	4	M057
9	Track mount wedge	8	M148
10	M6 brass hex nut	8	N019
11	M10 x 38mm flat washer	4	W022
12	M10 shakeproof washer	4	W021
13	M10 x 25mm hex bolt	4	B071
14	5mm security allen key	1	SECKEY-S
15	Fitting instruction	1	RR136

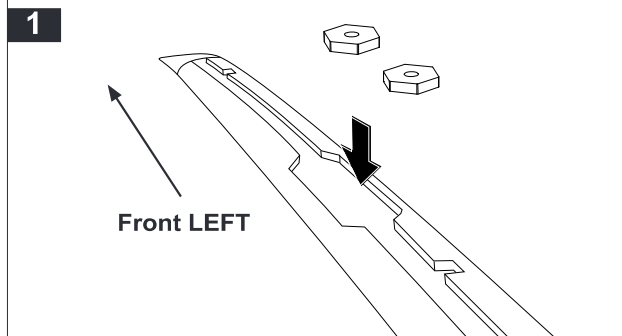


### Care Instruction:

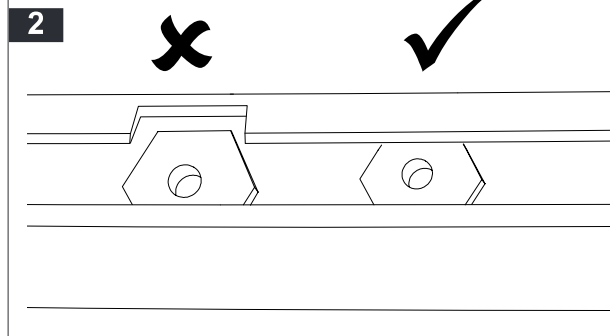
Wash vehicle track prior to fitting roof racks.

Tools required;  
5mm security allen key, provided.  
measuring tape.  
5/8 or 16mm spanner.  
Rubber mallet.

Remove brass hex nuts from legs. Slide nuts into large opening towards the front of each track. Slide along for positioning.



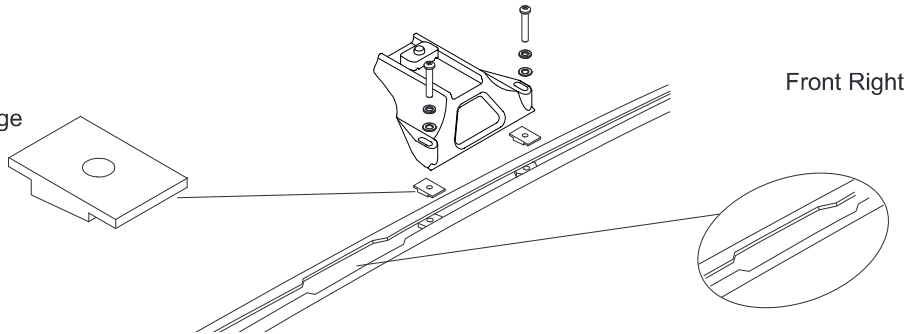
Brass hex nuts must **NOT** be under cutout on the track.



Place spring washer, flat washer onto M6 security screw then through each slotted hole in the leg. Place plastic wedge between the track and leg before fastening to the brass hex nuts. **Front leg assembly must be clear large slot in the track.**

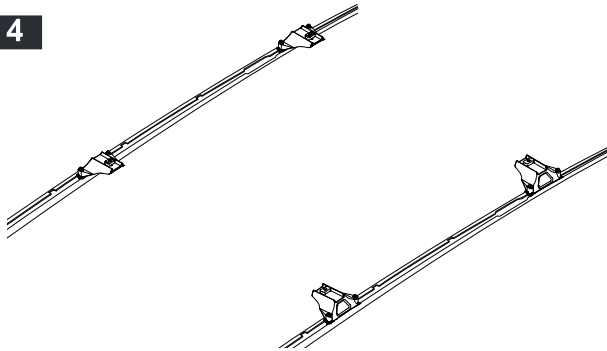
3

Track mount wedge



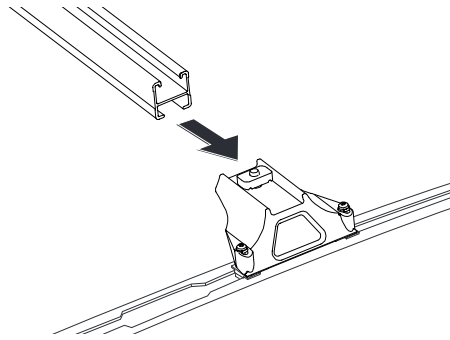
The four leg assemblies sitting in place. Leave loose for adjustment.

4



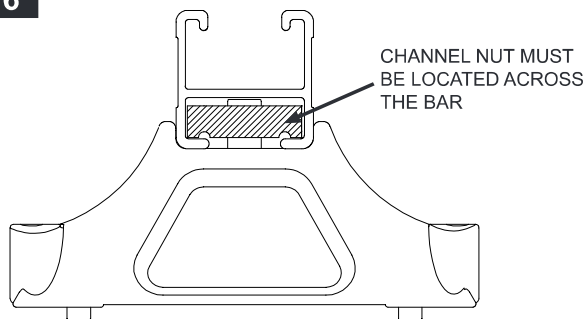
Slide the crossbar onto each leg and locate with the M10 channel nut. Do not tighten at this stage.

5



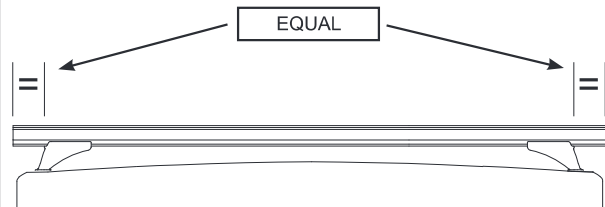
Channel nut must be fully located across the bar before tightening.

6



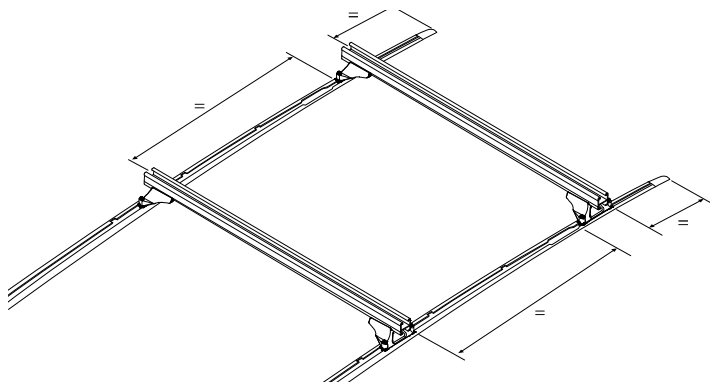
Measure for equal crossbar overhang.

7



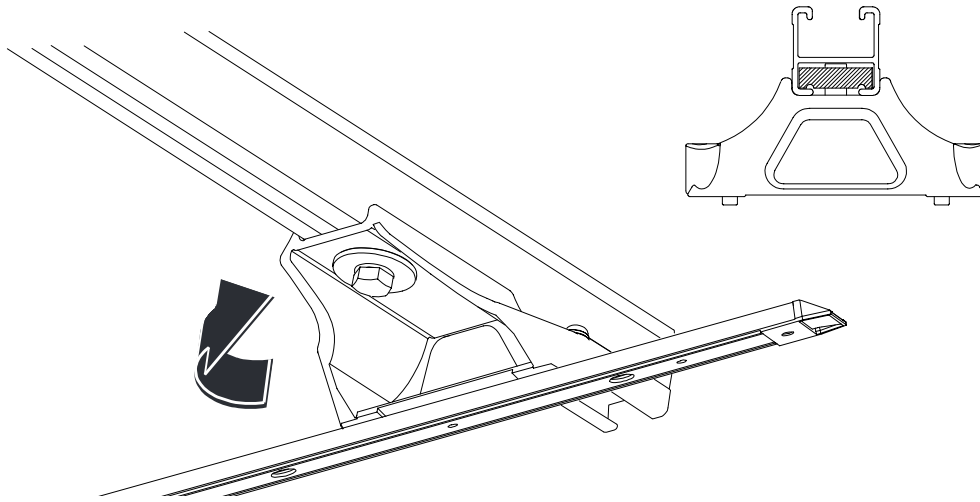
Crossbar assemblies must be equal distance from end of the track. Ensure front and rear crossbars are equal distance apart.

8



Using the supplied allen key tighten M6 security screws on each leg to 3-4 Nm. Tighten the M10 crossbar bolts to 10-12 Nm. Channel nut must fully locate across the crossbar.

9



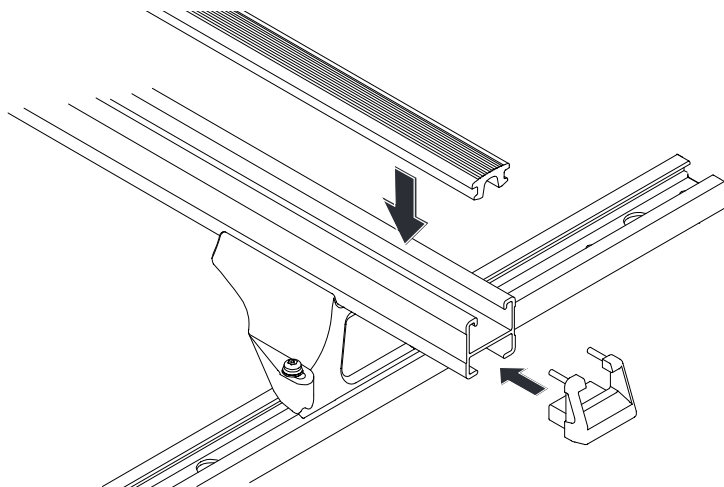
Check all bolts and screws.

10



Insert buffer strip into top of crossbar. Fit end caps, a rubber mallet may be used to knock the end caps in.

11



## Important Information

**Maximum carrying capacity: 80kg/176lbs**

**Recommendations:**

It is essential that all bolt connections be checked after driving a short distance when you first install your crossbars. Bolt connections should be checked again at regular intervals (probably once a week is enough, depending on road conditions, usage, loads and distances travelled). Check the crossbars each time they are refitted. Make sure to fasten your load securely. Please ensure that all loads are evenly distributed and that the centre of gravity is kept as low as possible.

**Use only non-stretch fastening ropes or straps.**

**Caution:** The handling characteristics of the vehicle changes when you transport a load on the roof. For safety reasons we recommend you exercise extreme care when transporting wind-resistant loads. Special consideration must be taken into account when cornering and braking.

**Please remove crossbars when putting vehicle through an automatic car wash.**

**Load Ratings:**

Maximum permissible load is 80kg (176lbs) for two crossbars including the weight of the cross bars, 5kg (11lbs). When crossbars are to be used in off-road conditions, please build a safety factor of 1.5 into this load limit for off-road use, two crossbars = **53kg 116lbs**). Although the crossbars are tested and approved to AS1235-2000, Off road conditions can be much more rigorous. However, increasing the number of crossbars does not increase the vehicles maximum permissible roof loading.

**Note for Dealers and Fitters:**

It is your responsibility to ensure instructions are given to the end user or client.

Rhino-Rack  
3 Pike Street, Rydalmere,  
NSW 2116, Australia.  
(Ph) (02) 9638 4744  
(Fax) (02) 9638 4822

Document No: RR136  
Prepared By: Craig Jones  
Authorised By: Gary England

Issue No: 02  
Issue Date: 24/02/2011

These instructions remain the property of Rhino-Rack Australia Pty. Ltd. and may not be used or changed for any other purpose than intended.