

ARB **BASE RACK**

FITTING INSTRUCTION

Part Number:
17921010

Suits BASE RACK:
1770010 / 1770030

Product Description: **BASE RACK fitting kit suits Prado 150**

WARNING

NOTE THE FOLLOWING:

- ◆ Vehicle accessories which are not properly fitted can be dangerous.
- ◆ Please read these instructions carefully prior to fitting, and comply with the instructions at all times
- ◆ If in any doubt please contact your nearest ARB state office or the stockist from whom it was purchased.
- ◆ Do not use this product for any vehicle make or model, other than those specified by ARB.
- ◆ This product or its fixing must not be modified in any way.
- ◆ The installation of this product may require the use of specialized tools and/or techniques
- ◆ It is recommended that this product is only installed by trained personnel
- ◆ These instructions are correct as at the publication date. ARB Corporation Ltd. cannot be held responsible for the impact of any changes subsequently made by the vehicle manufacturer
- ◆ During installation, it is the duty of the installer to check correct operation/clearances of all components
- ◆ Work safely at all times
- ◆ Unless otherwise instructed, tighten fasteners to specified torque
- ◆ Check bolt torque after 500km & at regular service intervals

ARB 4x4 ACCESSORIES

Corporate Head Office

42-44 Garden St
Kilsyth, Victoria
AUSTRALIA 3137

Tel: +61 (3) 9761 6622
Fax: +61 (3) 9761 6807

Australian enquiries
North & South American enquiries
Other international enquiries

sales@arb.com.au
sales@arbusa.com
exports@arb.com.au

www.arb.com.au

SAFETY

NET PAYLOAD FOR YOUR BASERACK

The net payload for your BASERACK is calculated by subtracting the weight of the BASERACK and the vehicle mounting kit from the vehicle's roof capacity. The table below gives the BASERACK net payload for fitting kit 17921010, using the vehicles maximum vehicle roof capacity. The vehicle's roof load capacity may vary between models and driving conditions. Refer to vehicle owner's manual for model and condition specific roof load capacities.

Kit	BASERACK	Vehicle roof capacity* (kg/lb)	BASERACK + mount kit (kg/lb)	BASERACK net payload (kg/lb)
17921010	1770010	100 / 220	27 / 60	73 / 160
17921010	1770030	100 / 220	28.5 / 63	71 / 157

* Maximum roof load capacity. Refer to vehicle owner's manual for model and condition specific roof load capacities.

It is important to follow the listed usage instructions;

- ◆ Maximum load per BASERACK beam is 25kg.
- ◆ Load must be evenly distributed and adequately secured.
- ◆ Any weight carried on the roof of the vehicle will adversely affect its handling, particularly in cornering or in a cross-wind, the vehicle should therefore be driven with increased discretion.
- ◆ Regularly check the tightness of the securing clamps and the security of the load.
- ◆ Attention is directed to statutory requirements regarding maximum permissible projections from vehicles.

All bolts should be checked prior to touring to ensure the tray is fastened correctly

GENERAL CARE AND MAINTENANCE

By choosing an ARB BASERACK, you have bought a product that is one of the most sought after 4WD products in the world. Your BASERACK is a properly engineered, reliable, quality accessory that represents excellent value. To keep your BASERACK in original condition it is important to care and maintain it following these recommendations:

- ◆ As part of any pre-trip preparation, or on an annual basis, it is recommended that a thorough visual inspection of the BASERACK is carried out, making sure that all bolts and other components are torqued to the correct specification. Replace any components as necessary.

Please contact local Authorised ARB Stockist if you would like to have this service carried out on your behalf.

FITTING REQUIREMENTS

REQUIRED TOOLS FOR FITMENT OF PRODUCT:

10mm spanner x 2	13mm spanner x 1
Allen key set	Torx key set
Pen/pencil	Socket set
Tape measure	


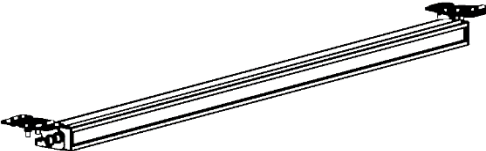
NOTE: 'WARNING' notes in the fitting procedure relate to OHS situations, where to avoid a potentially hazardous situation it is suggested that protective safety gear be worn or a safe work procedure be employed. If these notes and warnings are not heeded, injury may result.

FASTENER TORQUE SETTINGS:

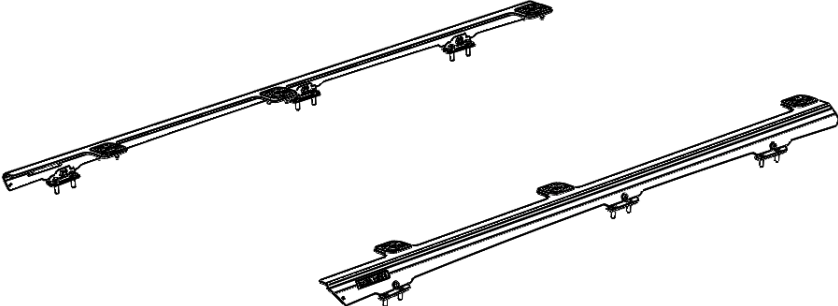
SIZE	Torque Nm	Torque lbft
M6	9Nm	7lbft
M8	22Nm	16lbft

Air Deflector and Base Rack Light Bar



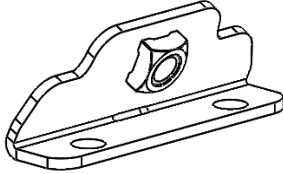
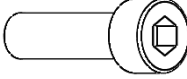


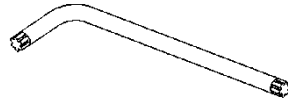
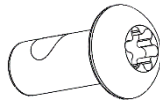
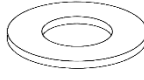
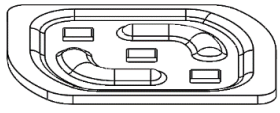
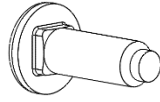
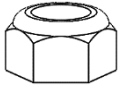
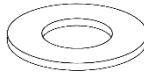
An air deflector or BASERACK Light Bar should be fitted beneath the front edge of the BASERACK. Refer to the table below for the correct part number. If fitting the light bar in front of the BASERACK, an Air Deflector should also be fitted. Refer to the instructions provided with these products for further details.

		PART NUMBER	BASE RACK FITTING KIT
AIR DEFLECTOR		17921020	17921010
BASE RACK LIGHT BAR		1780500	17921010

PARTS LISTING - BASE RACK fitting kit

PART NUMBER	SUITS BASE RACK	QTY	DIAGRAM
17921010	1770010 1770030	1	

PARTS LISTING

PART NO.	PICTURE	QTY	DESCRIPTION
APPLICATION – MOUNTING BRACKETS TO ROOF			
3752743L		1	BLADE BRACKET PRADO150 1835 LH
3752743R		1	BLADE BRACKET PRADO150 1835 RH
3752748		6	MOUNTING BRACKET W/ WELD NUT
6151184		12	M8 X 1.25 X 30MM SOCKET HEAD CAP
4584415		12	M8 WASHER FLAT - BONDED
5846403		6	RUBBER PACKER
6151934		1	TORX ALLEN KEY
6151806		6	M8 X 1.25 X20 BUTTON HEAD TORX - BLK
4581085		6	M8 WASHER FLAT - BLACK
APPLICATION – BASE RACK TO MOUNTING BRACKETS			
3195184		6	M8 STUD PLATE
6151916		12	M8 X 25 STUD - BLACK
6151212		12	M8 X 1.25 NYLOC NUT - BLACK
4581085		12	M8 WASHER FLAT - BLACK

BEFORE STARTING, READ ALL STEPS OF THE INSTRUCTIONS CAREFULLY AND CHECK ALL PARTS

STEP 1: REMOVAL OF CHANNEL COVERS / ROOF BARS



1. Remove the six plastic plugs or factory rails that run along the recessed channel in the roof, exposing the bolts and pressed brackets.



2. If factory rails are fitted, carefully pry off the six plastic shrouds using a sharp screw driver.



3. Remove the bolts, washers and bracket. Lift off roof rails if fitted.





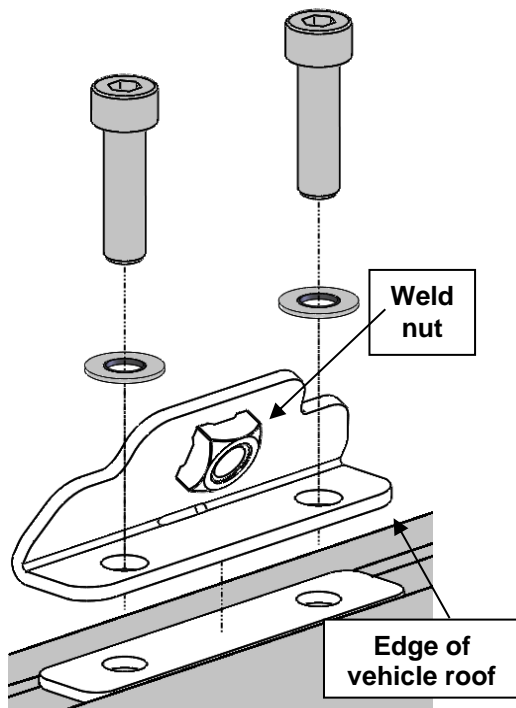
4. If fitted, Remove O-Rings.



5. Thoroughly clean the sealing surface in the base of the channel where the supplied rubber seal will sit.

6. Discard fasteners and brackets.

STEP 2 – ATTACH MOUNTING BRACKETS TO ROOF

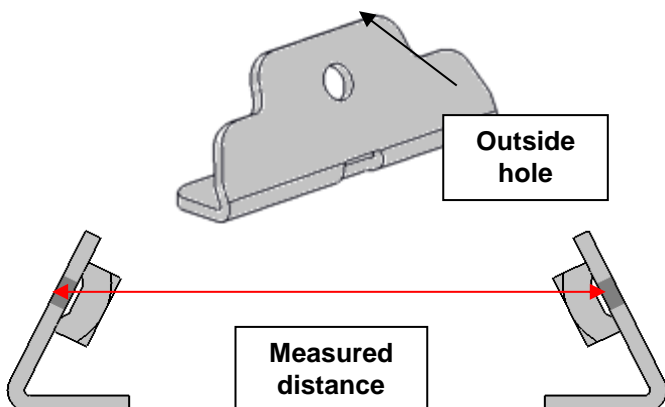


7. Place a rubber packer over each of the sets of holes in the roof channels
8. Position the mounting bracket so the weld nut is facing towards the centre of the vehicle. Attach each bracket to the roof mounting points using M8 Socket head screws and M8 Bonded washers. See image.

Tighten screws to specified torque



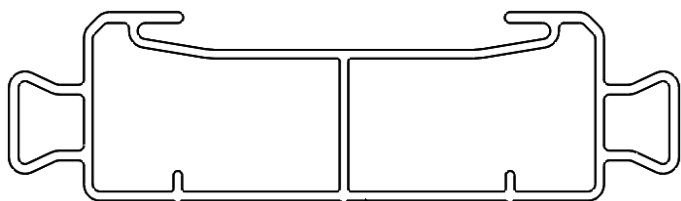
Torque M8 to 22Nm



9. Using a tape measure, measure across the vehicle between the middle of the hole on the outside face of the front and rear set of mounting brackets. Make a note of each measurement.

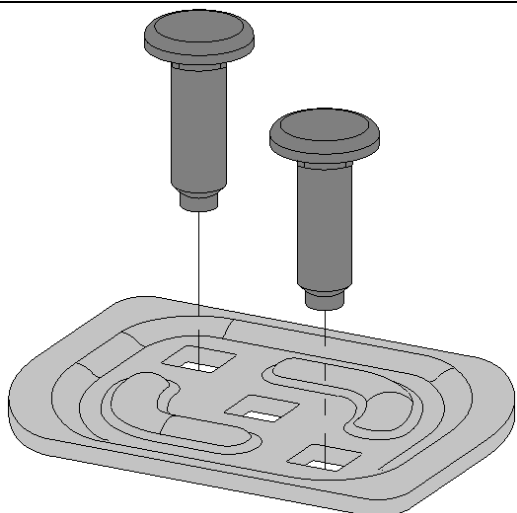
Position	Distance
Front	
Rear	

STEP 3 – ASSEMBLE THE BASE RACK

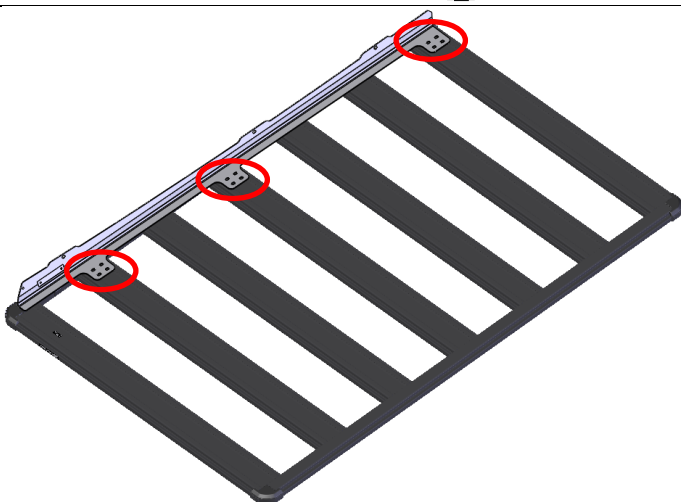


Top face of BASE RACK

10. Place the BASERACK face down on a clean flat surface. Provide protection to the top face of BASERACK to avoid marking of surfaces

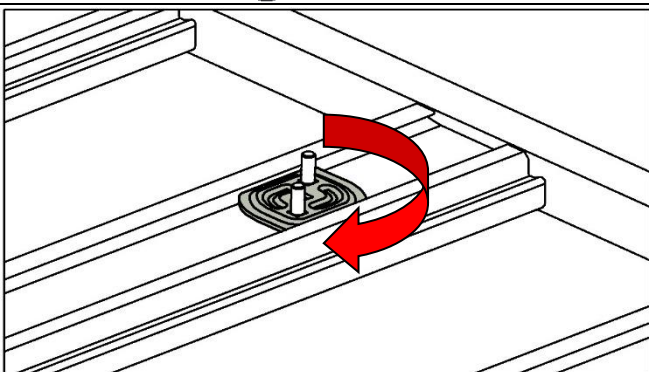


11. Insert 2, M8 x 25 Studs into each of the Stud Plates as shown.

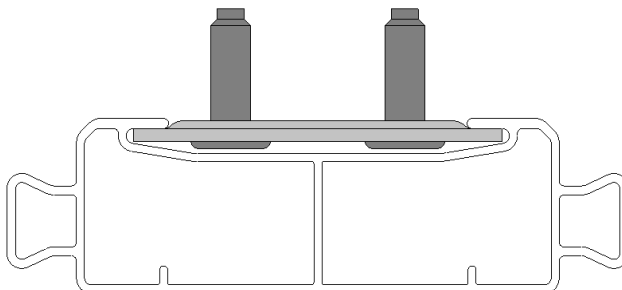


12. Check the position of the mounting plates (circled in image) on the blade brackets in relation to the channels on the BASE RACK.

Fitting kit 17921010 with BASERACK 1770010 is shown as an example.



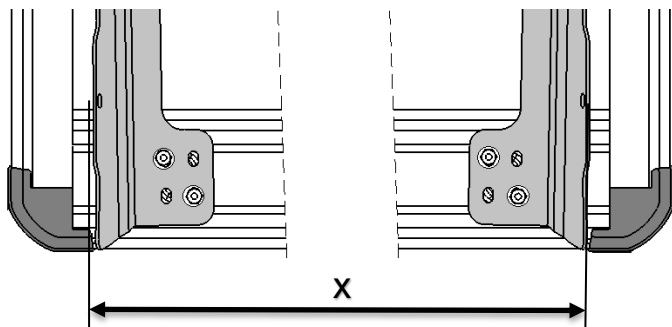
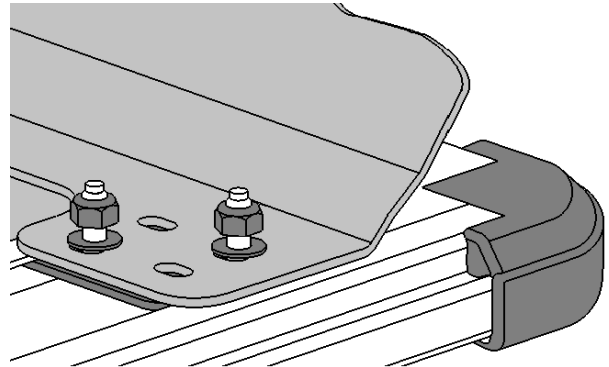
13. Insert the previously assembled stud plates into the correct BASE RACK channels. Rotate the plates 90 degrees.





14. Flip the blade brackets over so they are upside down and carefully place on top of the BASERACK. When doing so ensure the M8 studs in the stud plates go through the slots. Then secure the blade brackets to the BASERACK using M8 flat washers and nyloc nuts.

Do not fully tighten, allowing each blade to move.

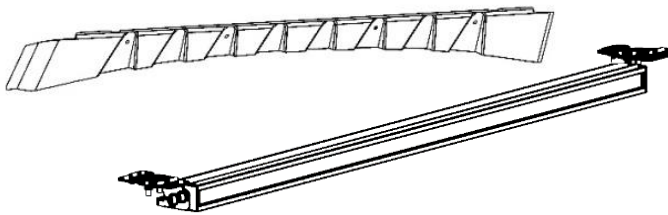


15. Using the previously recorded measurements, adjust the location of the blade bracket on the BASERACK.

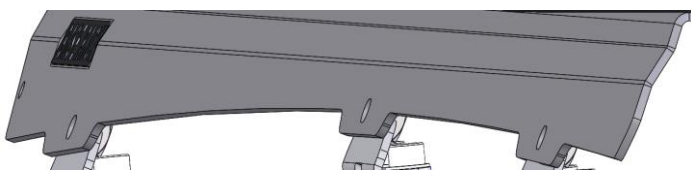
Ensure the distance between the blade bracket and the edge of the tray is the same on both sides. Fully tighten all M8 Nyloc nuts



Torque M8 to 22Nm

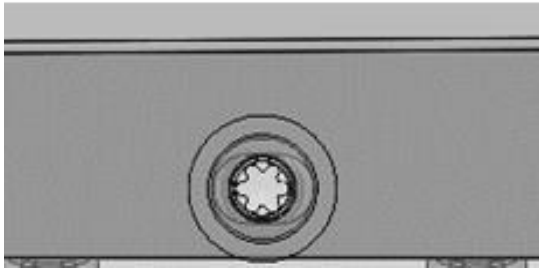


16. If fitting an air deflector or BASERACK lightbar it should be fitted to the BASERACK at this point. Refer to instructions provided with the air deflector or BASERACK light bar for fitting details.

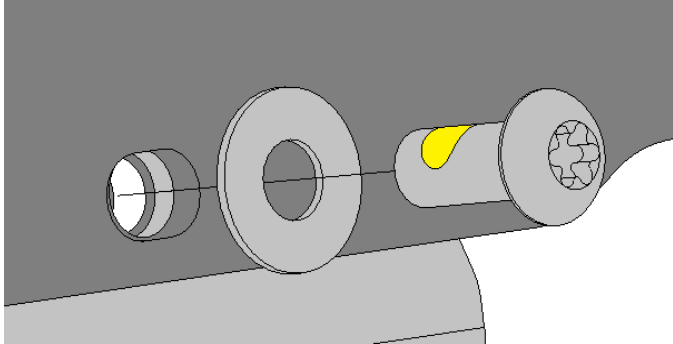


17. With assistance, carefully place the BASERACK on the vehicle so the inside of the blade brackets rests on the outside of the mounting brackets. The entire BASERACK assembly should be clear of the vehicle roof. All mounting holes/slots should align closely.

Note: Place protective material on roof to reduce the risk of accidental damage to vehicle when mounting the BASERACK to the vehicle.



18. Confirm BASERACK is correctly aligned to vehicle. If it is not it is recommended to remove the BASERACK from the vehicle roof and repeat the mounting process from the measurement step #15.



19. Use the M8 Button head Torx screws and M8 Black washers to secure the BASERACK to the roof mounting brackets. Tighten all screws to the specified torque.

 **Torque M8 to 22Nm**

17921010 with 1770010



