



**FRONT RUNNER**

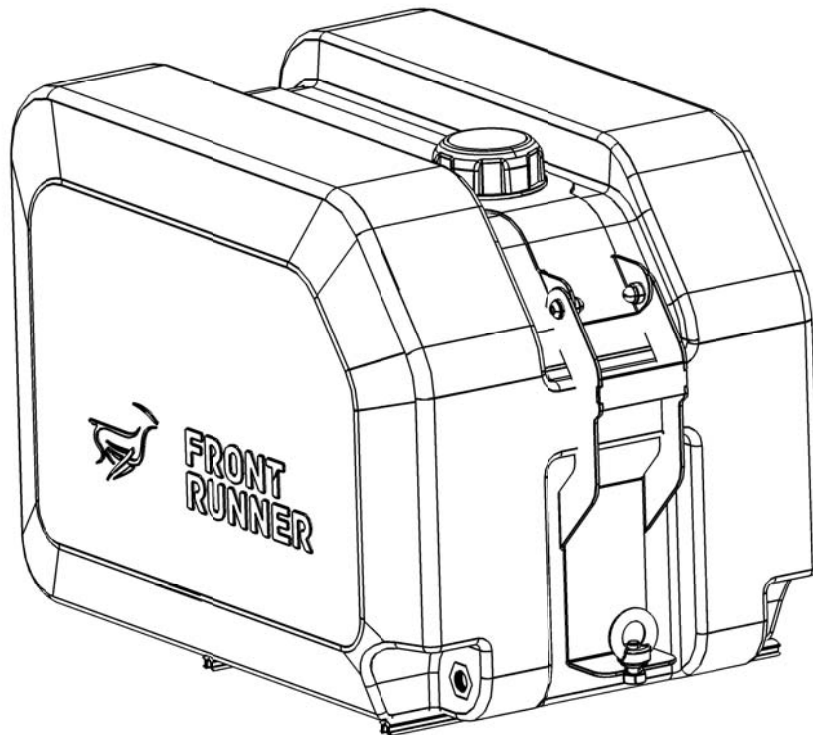
**45L PLASTIC WATER TANK**

**ENG**

WTAN030



**INSTALL TIME: 15 mins**



Please note that the 45L Plastic Water Tank does not come with a Hose Kit. There are various Hose Kit options available from your favorite Front Runner Dealer in person or online.

### **IMPORTANT WARNING!**

**IT IS CRITICAL THAT ALL FRONT RUNNER PRODUCTS BE PROPERLY AND SECURELY ASSEMBLED AND ATTACHED TO YOUR VEHICLE. IMPROPER ATTACHMENT COULD RESULT IN AN AUTOMOBILE ACCIDENT, AND COULD CAUSE SERIOUS BODILY INJURY OR DEATH TO YOU OR TO OTHERS. YOU ARE RESPONSIBLE FOR ASSEMBLING AND SECURING ALL FRONT RUNNER PRODUCTS TO YOUR VEHICLE, CHECKING THE ATTACHMENTS PRIOR TO USE, AND PERIODICALLY INSPECTING THE PRODUCTS FOR ADJUSTMENT, WEAR, AND DAMAGE. THEREFORE, YOU MUST READ AND UNDERSTAND ALL OF THE INSTRUCTIONS AND CAUTIONS SUPPLIED WITH YOUR FRONT RUNNER PRODUCT PRIOR TO INSTALLATION OR USE. IF YOU DO NOT UNDERSTAND ALL OF THE INSTRUCTIONS AND CAUTIONS, OR IF YOU HAVE NO MECHANICAL EXPERIENCE AND ARE NOT THOROUGHLY FAMILIAR WITH THE INSTALLATION PROCEDURES, YOU SHOULD HAVE THE PRODUCT INSTALLED BY A PROFESSIONAL INSTALLER OR OTHER QUALIFIED PERSONNEL.**

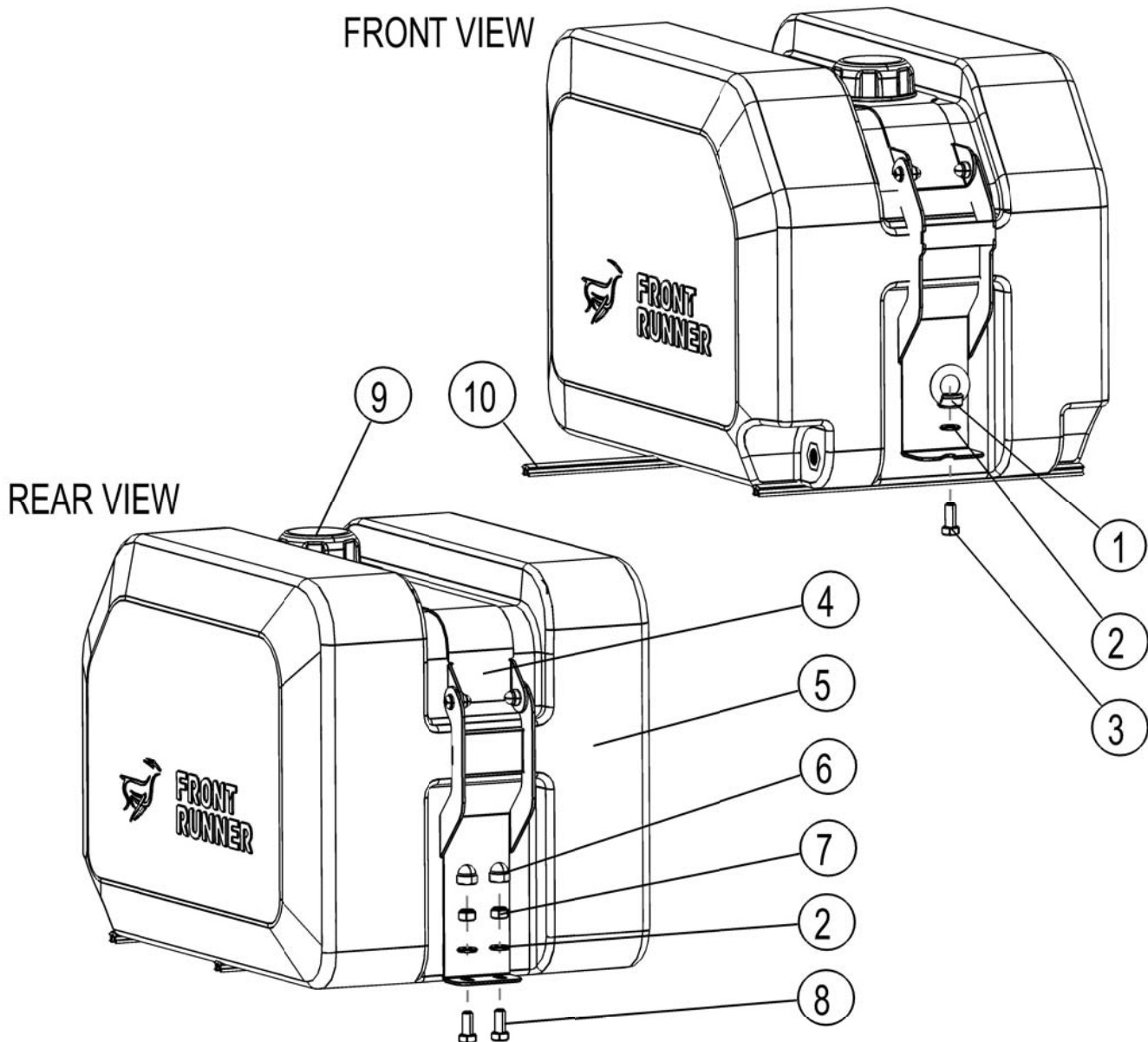
# 1 GET ORGANIZED

Here is what you are looking at:

Item #	Quantity	Description
1	1	M8 EYE NUT
2	3	M8 FLAT WASHER
3	1	M8x30 HEX BOLT
4	1	TANK STRAP
5	1	45L WATER TANK
6	2	M8x30 HEX BOLT
7	2	M8 NYLOC NUT
8	2	M8x20 HEX BOLT
9	1	PLASTIC CAP
10	2	T-SLOT RUBBER

You will need :

- 13 mm Flat or Socket Wrench
- 4 mm Hex Key

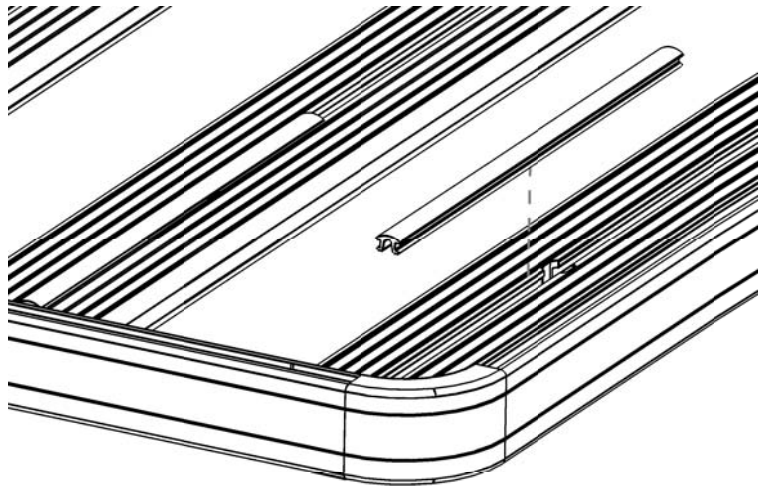


(A) Familiarize yourself with the parts and then step away from the work area and read through these instructions from beginning to end. Take a moment as a little prep now may save you a lot of time later.

## 2 INSTALL 45L WATER TANK

- (A) Decide where on the rear of your Slimline II Rack you would like to mount your 45L Water Tank (Item 5).

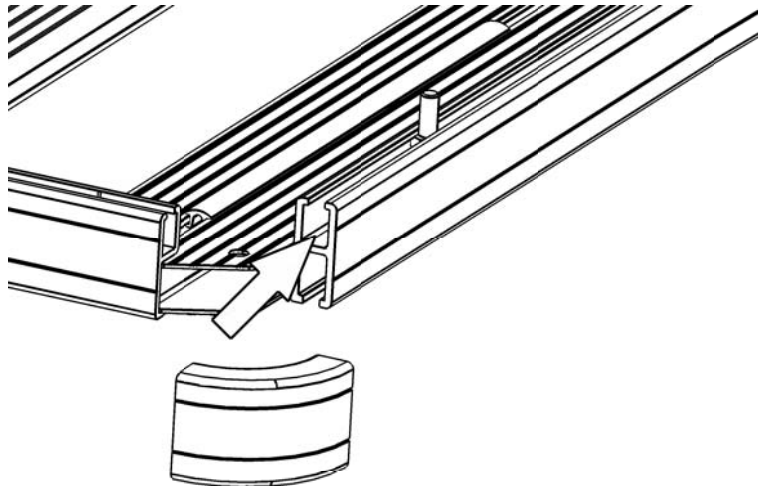
Insert the two T-Slot Rubbers (Item 10) into the last two slats, below where the Tank will be mounted.



- (B) Using a 4mm Hex Key, loosen and remove the Corner of the Rack as shown.

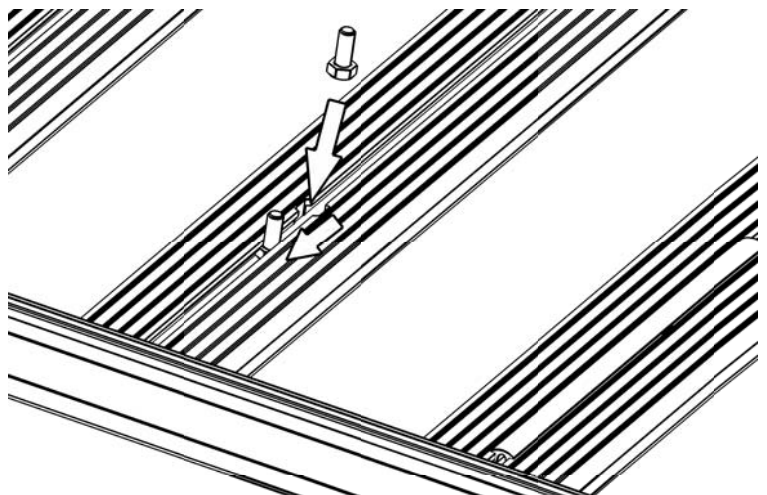
Slide the M8 x30 Hex Bolt (Item 3) into the T-slot as indicated by the arrow. Line the Hex Bolt up with the center of the T-Slot Rubber from Step 2A.

Refit the corner.



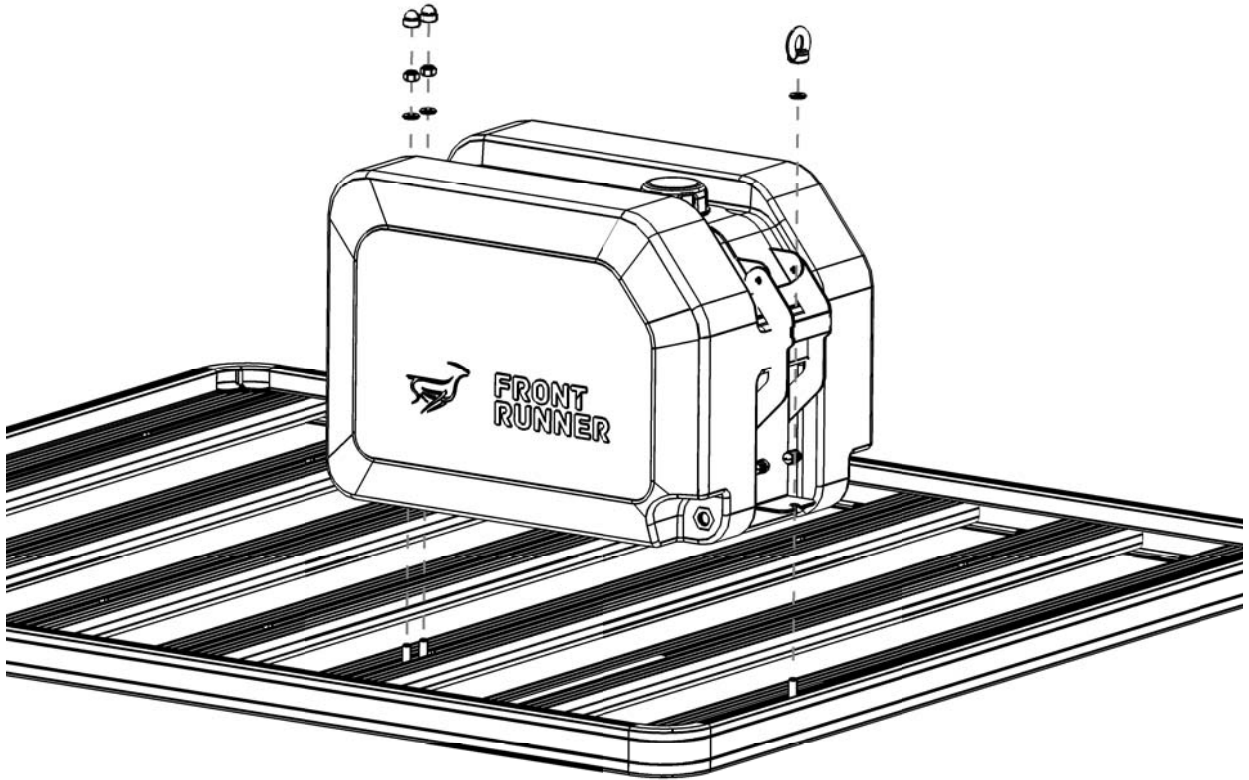
- (C) Slide the two M8 x20 Hex Bolts (Item 8) into the T-slot on the third Slat from the rear of your Rack through the Machined Slot as indicated by the arrows.

Slide the two Hex Bolts to the center of the T-Slot Rubber and space them 20mm apart.



## 2 INSTALL 45L WATER TANK CONT...

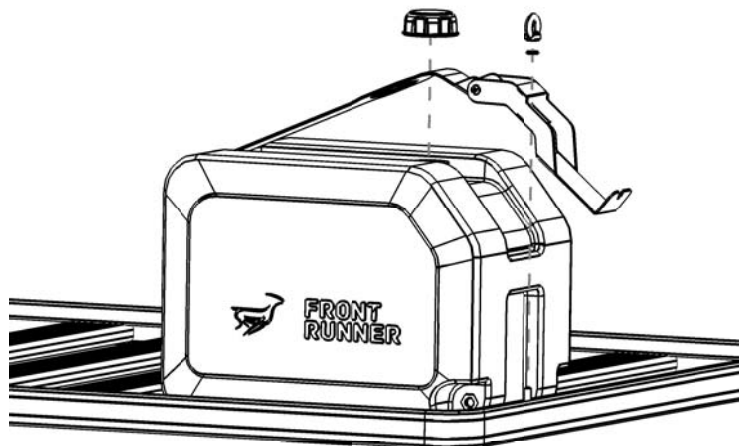
- ( C ) Bring the Water Tank down onto the Rack as shown, lining up the holes in the Tank Strap (Item 4) with the Hex Bolts inserted in Steps 2B & 2C. Ensure the Tank is sitting centered on the T-slot Rubbers and secure the Water Tank to the Rack using the M8 Eye Nut, M8 Flat Washers and M8 Nyloc Nuts (Items 1, 2, 7) as shown. Once secure place the two M8 Nut Caps (Item 6) over the two Nyloc Nuts.



- ( D ) The Water Tank may be taken off the Rack by removing the Plastic Cap (Item 9), loosening the M8 Eye Nut and lifting the Tank Strap up and over as shown.

You will need to squeeze the "Y-spring" on the end of the Plastic Cap's retaining wire to release the Plastic Cap from the Tank.

If you have mounted the Water Tank inline with Expedition Rails, you will need to loosen the two rear M8 Nyloc Nuts and not the M8 Eye Nut to remove the Tank.



**Congratulations, you have completed your installation. Take a step back and admire your work. Good Job!**