



FRONT RUNNER

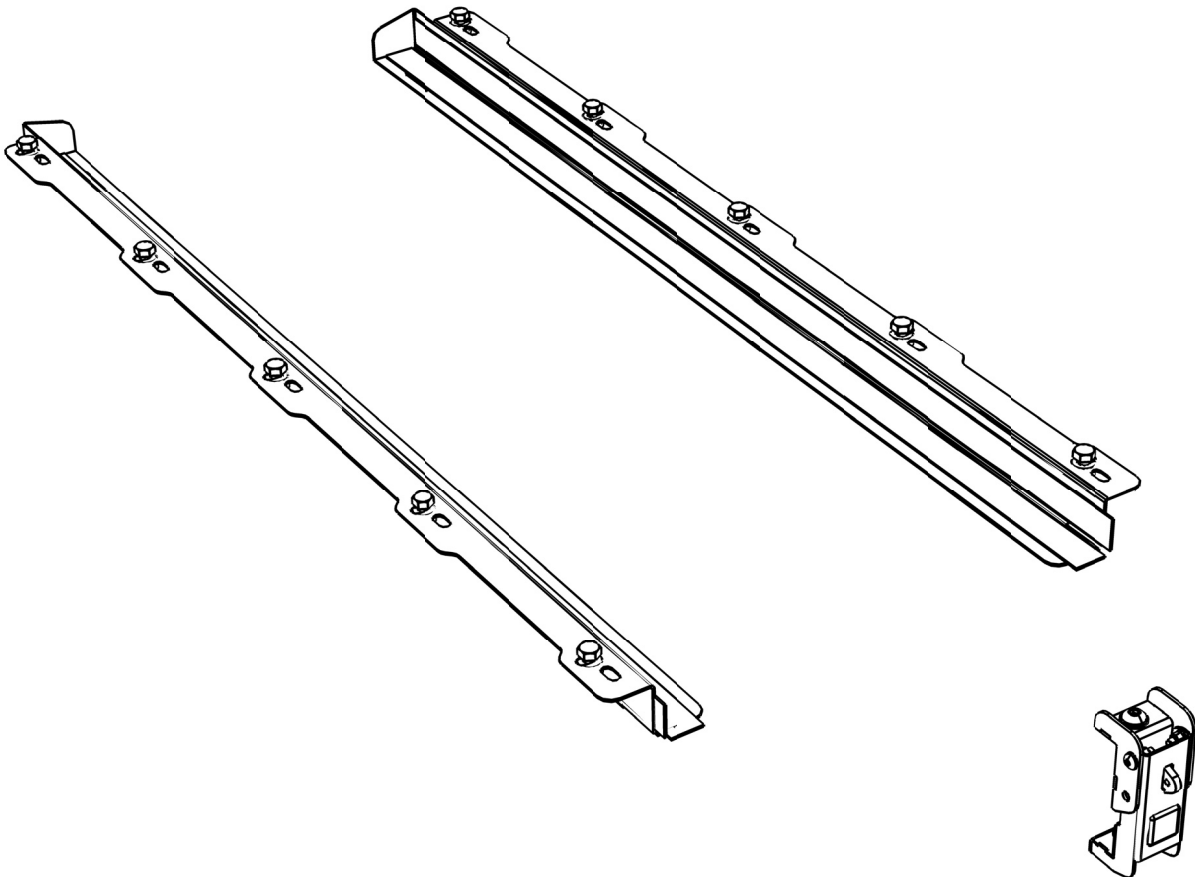
**TABLE BRACKETS FOR
MKI TABLE INCL LATCH**

ENG

TBRA020



INSTALL TIME: 15 mins



IMPORTANT WARNING!

IT IS CRITICAL THAT ALL FRONT RUNNER PRODUCTS BE PROPERLY AND SECURELY ASSEMBLED AND ATTACHED TO YOUR VEHICLE. IMPROPER ATTACHMENT COULD RESULT IN AN AUTOMOBILE ACCIDENT, AND COULD CAUSE SERIOUS BODILY INJURY OR DEATH TO YOU OR TO OTHERS. YOU ARE RESPONSIBLE FOR ASSEMBLING AND SECURING ALL FRONT RUNNER PRODUCTS TO YOUR VEHICLE, CHECKING THE ATTACHMENTS PRIOR TO USE, AND PERIODICALLY INSPECTING THE PRODUCTS FOR ADJUSTMENT, WEAR, AND DAMAGE. THEREFORE, YOU MUST READ AND UNDERSTAND ALL OF THE INSTRUCTIONS AND CAUTIONS SUPPLIED WITH YOUR FRONT RUNNER PRODUCT PRIOR TO INSTALLATION OR USE. IF YOU DO NOT UNDERSTAND ALL OF THE INSTRUCTIONS AND CAUTIONS, OR IF YOU HAVE NO MECHANICAL EXPERIENCE AND ARE NOT THOROUGHLY FAMILIAR WITH THE INSTALLATION PROCEDURES, YOU SHOULD HAVE THE PRODUCT INSTALLED BY A PROFESSIONAL INSTALLER OR OTHER QUALIFIED PERSONNEL.

1 GET ORGANIZED...

Here is what you are looking at:

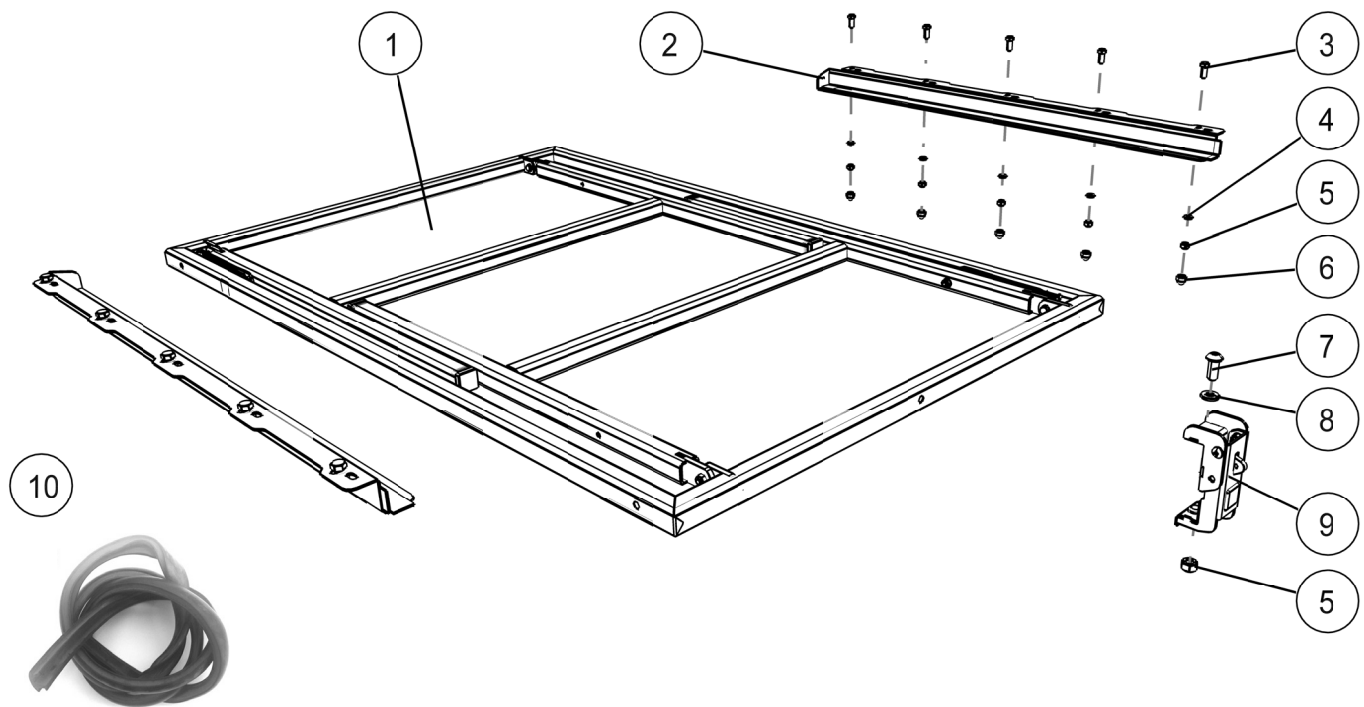
Item #	Quantity	Description
1	1	TABLE
2	2	TABLE SLIDE - 1 LEFT, 1 RIGHT
3	10	M8 x 16 HEX BOLT
4	10	M8 x 19 FLAT WASHER
5	11	M8 NYLOC NUT
6	10	M8 NUT CAP
7	1	M8 x 20 BUTTON HEAD BOLT
8	2	M8 FLAT WASHER
9	1	LATCH
10	1	T-SLOT RUBBER

You will need:

- 13 mm Flat or Socket Wrench
- 5 mm Hex Key
- Measuring Tape
- Utility Knife



Item 7 only works with Item 2 and does not work with older style table slides. New slides have back stops.



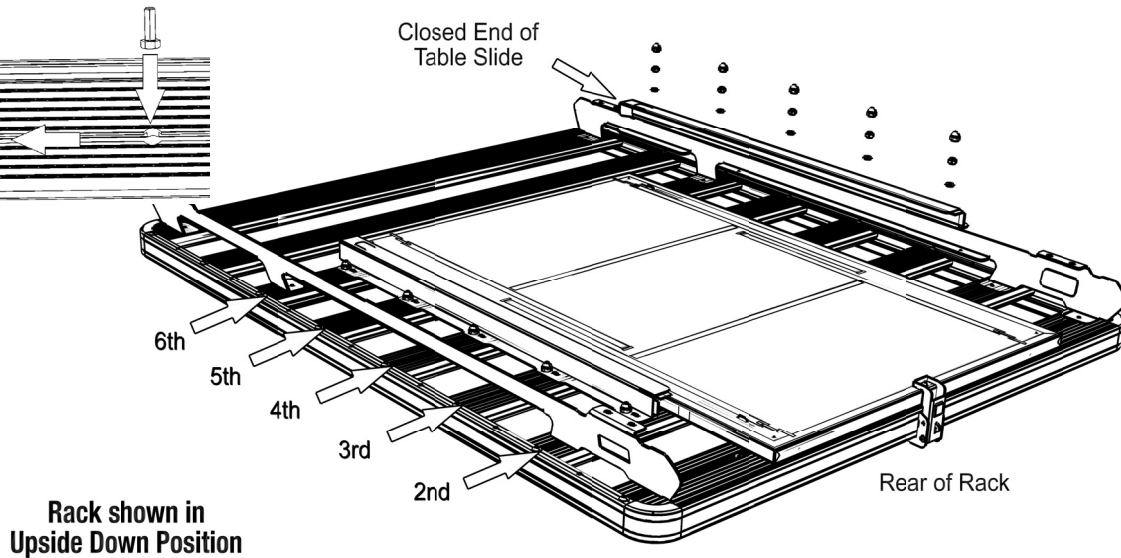
If you wish to mount your Table at the rear of your Rack, please refer to Section 2 - Pages 3 & 4.

If your Rack is mounted using a Foot Rail System and you wish to side mount your Table, please refer to Section 3 - Page 5 & 6.

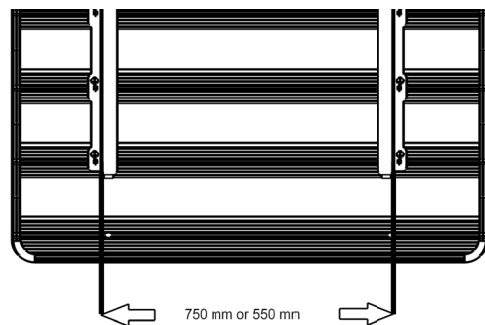
(A) Familiarize yourself with the parts and then step away from the work area and read through these instructions from beginning to end. Take a moment as a little prep now may save you a lot of time later.

2 MOUNTING THE TABLE AT THE REAR OF THE RACK

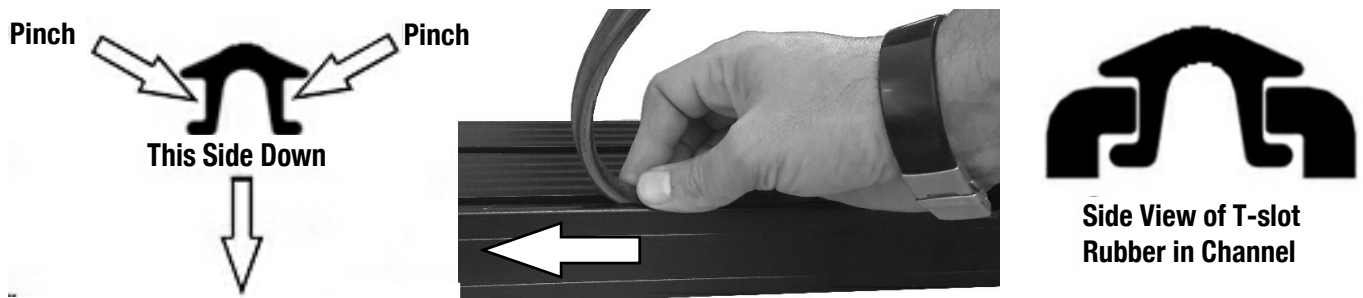
- (A)** Working underneath and from the rear of the Rack, Slide two M8 x 16 Hex Bolts (Item 3) into the second, third, fourth, fifth and sixth Slats of the rack through the machined slots as shown. Loosely secure the Table Slides (Item 2) to the Rack using the M8 x 19 Flat Washers and M8 Nyloc Nuts (Items 4 & 5) supplied.



- (B)** Depending on the Width of your Table, space the two Table Slides 750 mm or 550 mm apart and tighten all the Nyloc Nuts and place a M8 Nut Cap (Item 6) over each Nyloc Nut.

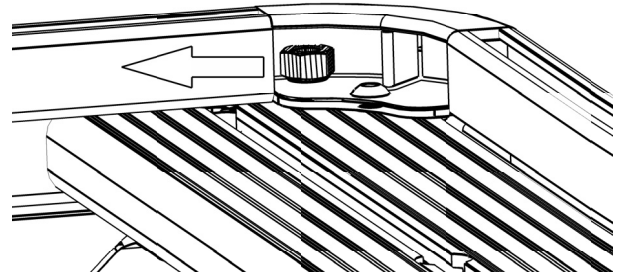


- (C)** With the Rack still in the upside down position, cut the T-slot Rubber (Item 10) to suit the width of your Rack and insert it into the rear channel of the first slat by pinching/squeezing the sides of the rubber together and pushing/rolling the Rubber into channel as shown.

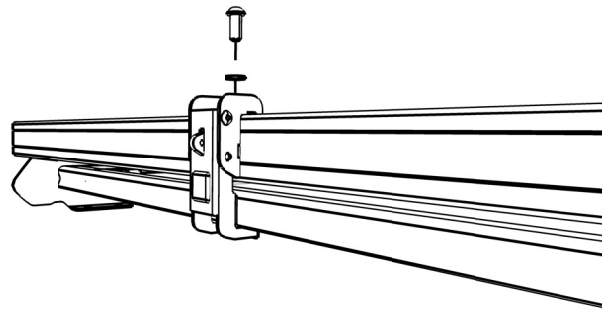


2 MOUNTING THE TABLE AT THE REAR OF THE RACK CONT...

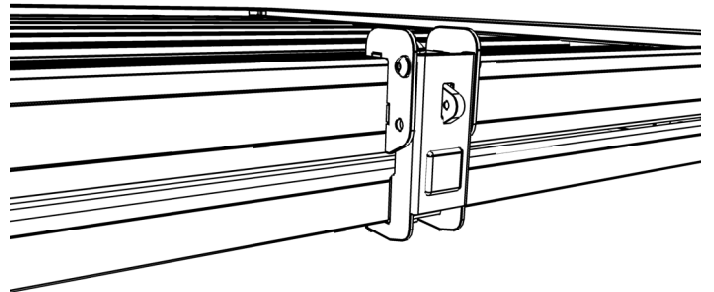
- (D)** With the Rack in the upright position, Insert a M8 Nyloc Nuts (Item 5) dome side facing down into the "U" channel of the Rack. Slide the Nyloc Nuts down the "U" channel to the center of the Rack.



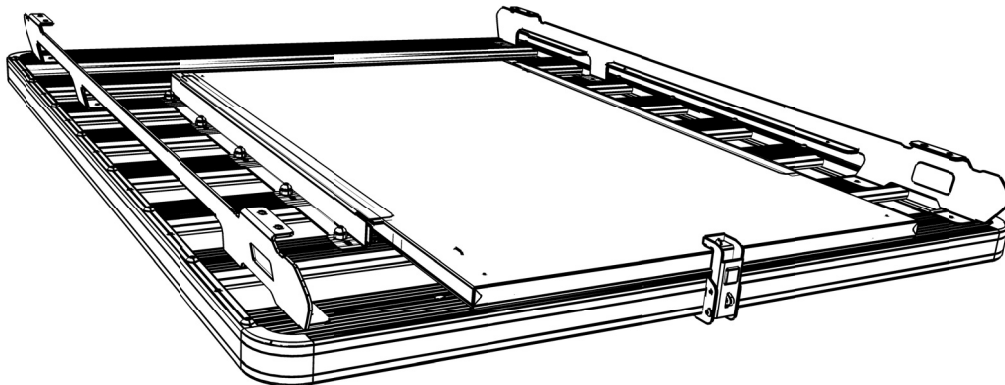
- (E)** Place the Latch (Item 10) onto the Rack, lining up the mounting hole in the Latch with the Nyloc Nut inserted in Step 2D. Secure the Latch in position using a M8 x 20 Button Head Bolt and a M8 Flat Washer (Items 7 & 9).



- (F)** Once the Rack has been mounted to the vehicle, open the Latch by pushing on the Latch Release and slide the Table into position. Check that the table has no Forward / Backward movement when the latch is closed. If it does loosen the Nyloc Hex Nuts (Item 5) from Step 2B and adjust so that the table has no movement in the slides when the latch is closed. A small padlock can be used through the hole in the Latch Release should you wish to lock the table.



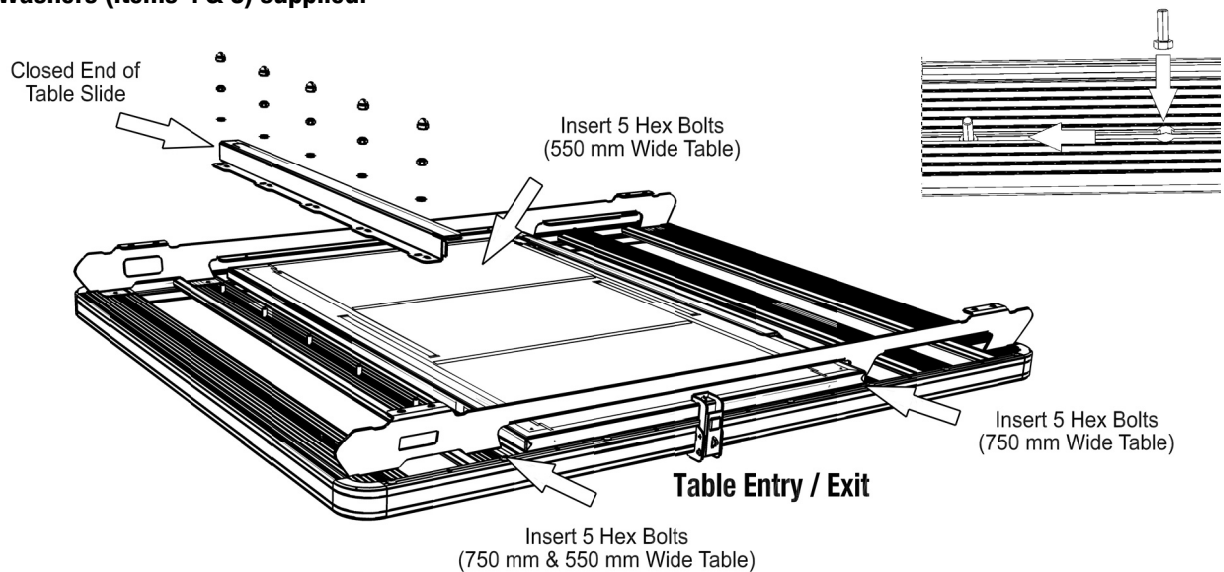
Congratulations, you have completed your installation. Take a step back and admire your work. Good Job!



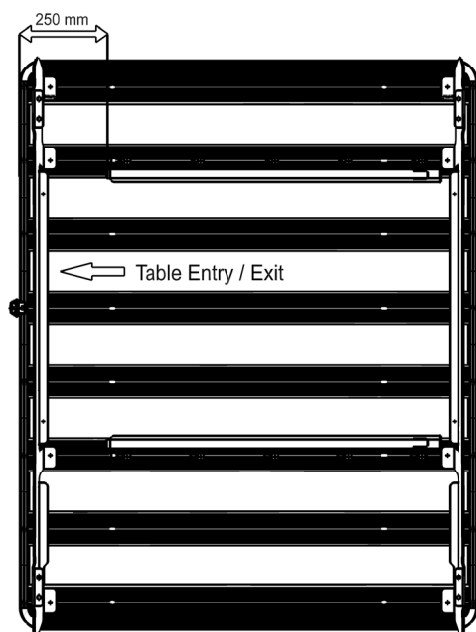
3 SIDE MOUNTING WITH A FOOT RAIL

- (A) Decide whether you would like your Table (Item 1) to exit on the left or right hand side of the vehicle. There are two Table Widths (550 mm & 750 mm). The Illustrations in Steps A, B, C show the Brackets positioned for a 750 mm Wide Table.

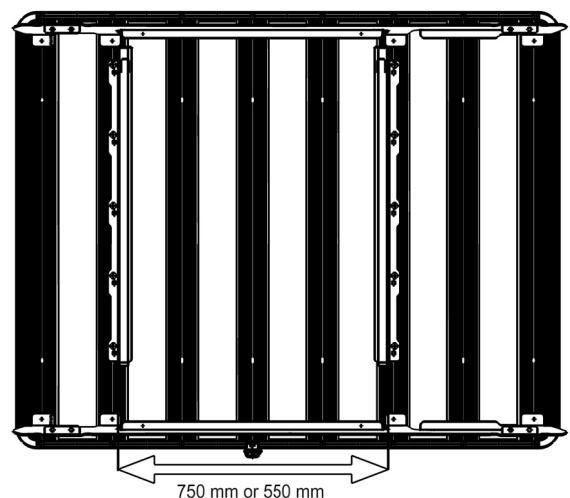
- (B) Insert five M8 x 16 Hex Bolts (Item 3) into each of the two Slats as indicated through the machined slots as shown. Loosely secure the Table Slides (Item 2) to the Rack using the M8 Nyloc Nuts and M8 x 19 Flat Washers (Items 4 & 5) supplied.



- (C) Space the Table Slides 250 mm in from the edge of the Rack as shown.

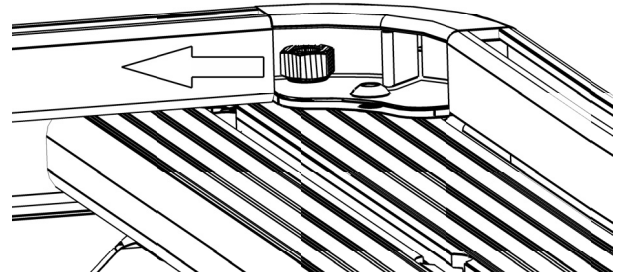


- (D) The Table Slides are slotted left to right to enable adjustment. Space the two Table Slides 750 mm or 550 mm apart and tighten all the Nyloc Nuts. Place a M8 Nut Cap (Item 6) over each Nyloc Nut.

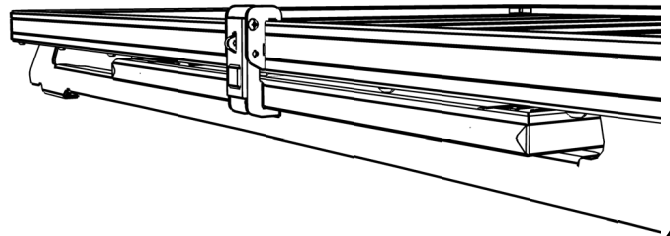


3 SIDE MOUNTING WITH A FOOT RAIL CONT...

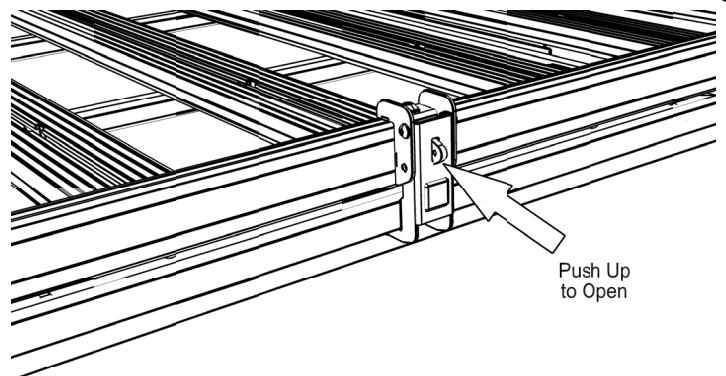
- (E) With the Rack in the upright position and working on the side of the rack that the Table will exit, insert a M8 Nyloc Nut (Item 5) dome side down into the "U" channel of the Rack through the gap in the corner as shown. Slide the Nyloc Nut down the "U" channel and center the Nut between the two Table Slides.



- (F) Place the Latch (Item 10) onto the Rack, lining up the mounting holes in the Latch with the Nyloc Nut inserted in Step 2E. Secure the Latch in position using two M8 x 20 Button Head Bolts and two M8 Flat Washers (Items 7 & 9).



- (G) Once the Rack has been mounted to the vehicle, open the Latch by pushing on the Latch Release and slide the Table into position. Check that the table has no Forward / Backward movement when the latch is closed. If it does loosen the Nyloc Hex Nuts (Item 5) from Step 3B and adjust so that the table has no movement in the slides when the latch is closed.



A small padlock can be used through the hole in the Latch Release should you wish to lock the table.

Congratulations, you have completed your installation. Take a step back and admire your work. Good Job!

