

READ ME ! ⚠

Thank you for purchasing a Front Runner Cargo Roller.

Before you start, take a moment to familiarize yourself with the Fitting Instructions and the components received.

Refer to Page 2 for a list of all the components, quantities and tools required.

NOTE: Front Runner will not be responsible for any damage caused by the failure to install the product according to these instructions. Please call us if you have any questions about the installation of this product.

IMPORTANT WARNING! ⚠

FRONT RUNNER CAN NOT RECOMMEND A MAXIMUM LOAD CARRYING CAPACITY. PLEASE REFER TO YOUR VEHICLE MANUFACTURER'S RECOMMENDATIONS. IT IS CRITICAL THAT ALL FRONT RUNNER PRODUCTS BE PROPERLY AND SECURELY ASSEMBLED AND ATTACHED TO YOUR VEHICLE. IMPROPER ATTACHMENT COULD RESULT IN AN AUTOMOBILE ACCIDENT, AND COULD CAUSE SERIOUS BODILY INJURY OR DEATH. YOU ARE RESPONSIBLE FOR ASSEMBLING AND SECURING ALL FRONT RUNNER PRODUCTS TO YOUR VEHICLE. CHECKING THE ATTACHMENTS PRIOR TO USE, AND PERIODICALLY INSPECTING THE PRODUCTS FOR ADJUSTMENT, WEAR AND DAMAGE. THEREFORE YOU MUST READ AND UNDERSTAND ALL OF THE INSTRUCTIONS AND PRECAUTIONS SUPPLIED WITH YOUR FRONT RUNNER PRODUCT PRIOR TO INSTALLATION OR USE. IF YOU DO NOT UNDERSTAND ALL OF THE INSTRUCTIONS AND CAUTIONS, OR IF YOU HAVE NO MECHANICAL EXPERIENCE AND ARE NOT THOROUGHLY FAMILIAR WITH THE INSTALLATION PROCEDURES, YOU SHOULD HAVE THE PRODUCT INSTALLED BY A PROFESSIONAL INSTALLER OR OTHER QUALIFIED PERSONNEL.

1

GET ORGANIZED

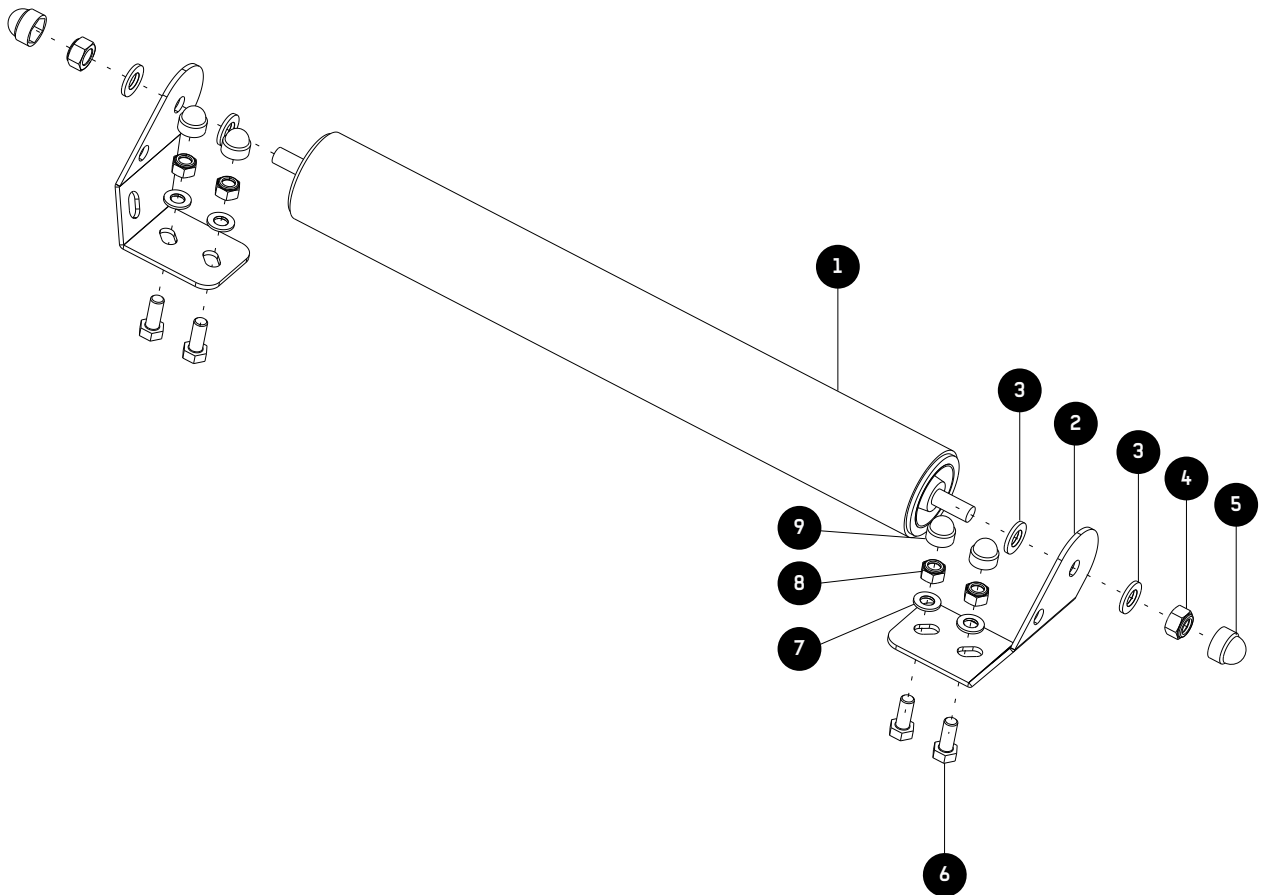
IN THE BOX

1	1 X	Roller 56mm OD x 460 L
2	2 X	Mounting Brackets (Left & Right)
3	4 X	M10 Flat Washer
4	2 X	M10 Nyloc
5	2 X	M10 Nut Cap
6	4 X	M8 x 20 Hex Head Bolt
7	4 X	M8 x 16 x 1.6SS Flat Washer
8	4 X	M8 Nyloc Nuts
9	4 X	M8 Nut Cap

TOOLS NEEDED



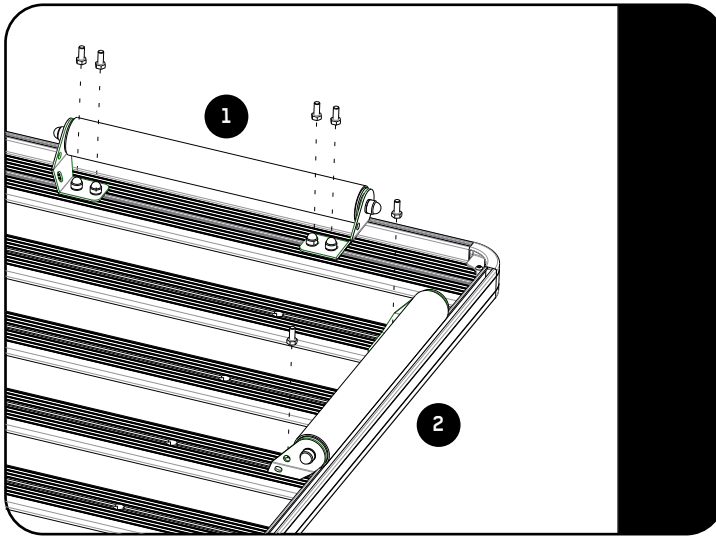
FIGURE 1.1



2

PREPARATION

2.1



Decide where on your Rack you would like to fit your Cargo Roller.

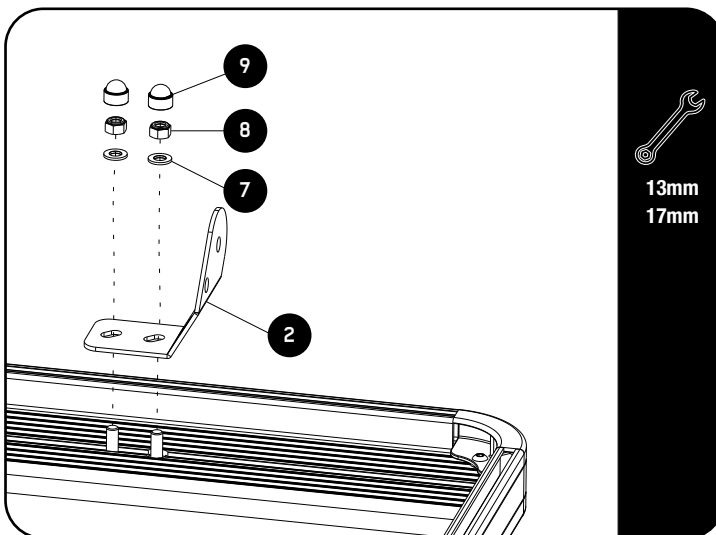
1

Slide four M8 x 20 Hex Bolts (Item 6) into the T-slot of the Slat through the machined slot if fitted on a single Slat.

2

Slide two M8 x 20 Hex Bolts (Item 6) into each of the chosen Slats if fitted across 3 Slats.

2.2

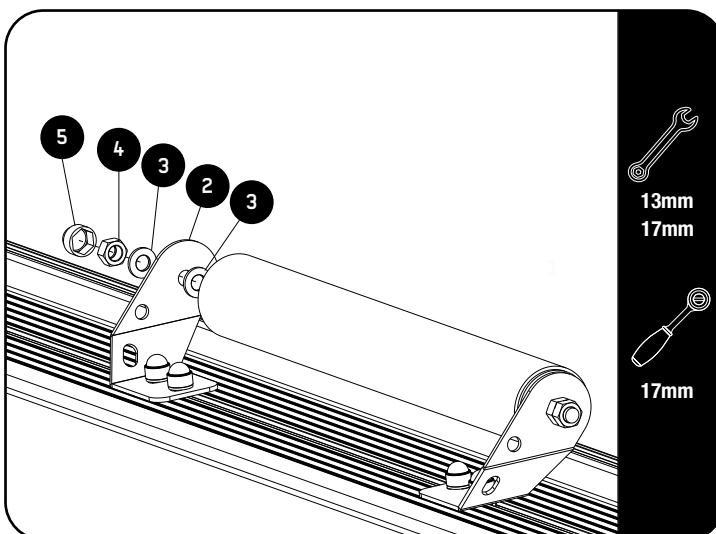


Place the Mounting Brackets (Item 2) onto the Rack, lining up the holes with the Hex Bolts inserted earlier. Loosely secure the Mounting Brackets to the rack using four M8 x 16 x 1SS Flat Washers and four M8 Nyloc nuts supplied (Item 7,8 & 9).



13mm
17mm

2.3



Remove two of the M10 Hex Nuts on the one side of the roller assembly and discard them. "See Note below"

Hold the two remaining M10 Hex Nuts on the opposite side with a 17mm Spanner while securing the roller to the bracket using the two M10 Flat Washers and M10 Nyloc Nut as shown (Item 3 & 4). The roller shaft should protrude +/- 3mm from the Nyloc Nut.

Repeat this step for the opposite side. Take care not to over tighten as this will prevent the roller from operating smoothly.

Position the roller assembly on the slat and fully tighten. Place four M8 Nutcaps over the M8 Nyloc Nuts and two M10 Nutcaps over the M10 Nyloc Nuts (Item 9 & 5).

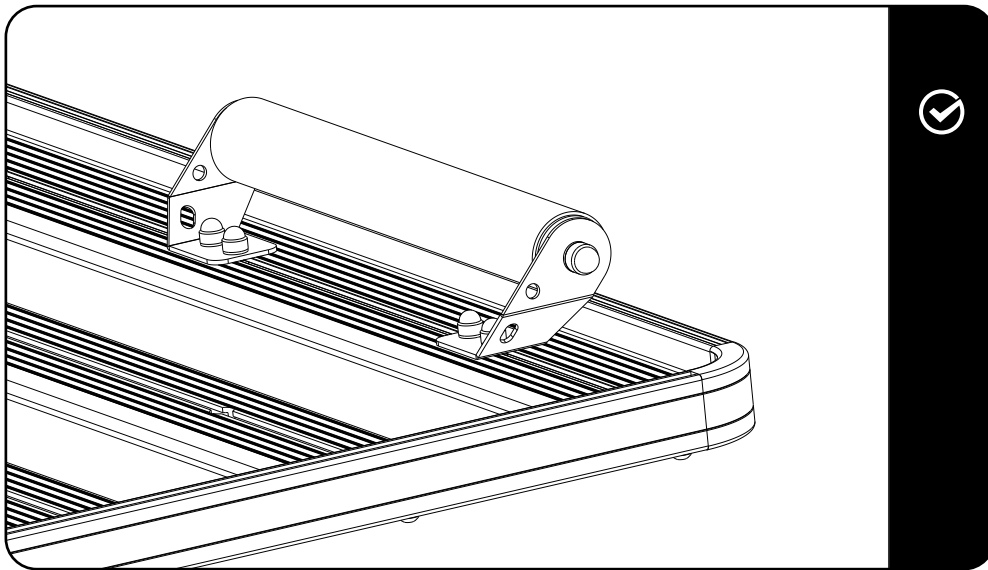


NOTE: The four M10 Hex Nuts pre assembled onto the roller are for packaging purposes and to help with installation only!

3

COMPLETION

3.1



Congratulations! You did it. Take a step back and admire your work!

4

INSTALL OTHER VEHICLE AND RACK ACCESSORIES

Now's the time to visit your favorite Front Runner Dealer in person or Online.

Be sure to tag us. We love to see our gear in action! #FrontRunnerOutfitters #BornToRoam

Share your adventures on: 