

READ ME !

Thank you for purchasing a Front Runner 20L Water Jerry Can w/Tap Protector.

Before you start, take a moment to familiarize yourself with the Fitting Instructions and the components received.

Refer to Page 2 for a list of all the components, quantities and tools required.

IMPORTANT WARNING!

IT IS CRITICAL THAT ALL FRONT RUNNER PRODUCTS BE PROPERLY AND SECURELY ASSEMBLED AND ATTACHED TO YOUR VEHICLE. IMPROPER ATTACHMENT COULD RESULT IN AN AUTOMOBILE ACCIDENT, AND COULD CAUSE SERIOUS BODILY INJURY OR DEATH. YOU ARE RESPONSIBLE FOR ASSEMBLING AND SECURING ALL FRONT RUNNER PRODUCTS TO YOUR VEHICLE, CHECKING THE ATTACHMENTS PRIOR TO USE, AND PERIODICALLY INSPECTING THE PRODUCTS FOR ADJUSTMENT, WEAR AND DAMAGE. THEREFORE, YOU MUST READ AND UNDERSTAND ALL OF THE INSTRUCTIONS AND PRECAUTIONS SUPPLIED WITH YOUR FRONT RUNNER PRODUCT PRIOR TO INSTALLATION OR USE. IF YOU DO NOT UNDERSTAND ALL OF THE INSTRUCTIONS AND CAUTIONS, OR IF YOU HAVE NO MECHANICAL EXPERIENCE AND ARE NOT THOROUGHLY FAMILIAR WITH THE INSTALLATION PROCEDURES, YOU SHOULD HAVE THE PRODUCT INSTALLED BY A PROFESSIONAL INSTALLER OR OTHER QUALIFIED PERSONNEL.

NOTE: Front Runner will not be responsible for any damage caused by the failure to install the product according to these instructions.

Please call us if you have any questions about the installation of this product.

1

GET ORGANIZED

IN THE BOX

1	1 X	Water Can Holder Rear Bracket
2	1 X	Strap Rear Plate Long

TOOLS NEEDED

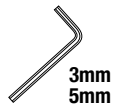
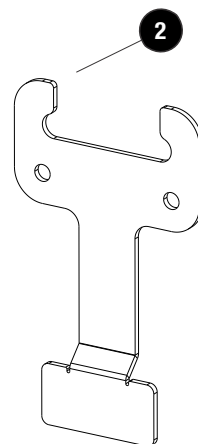
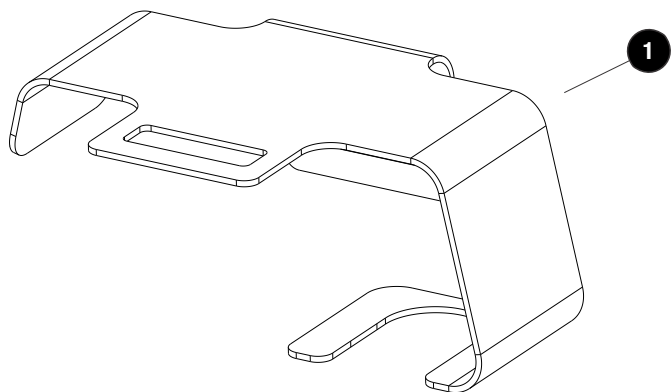
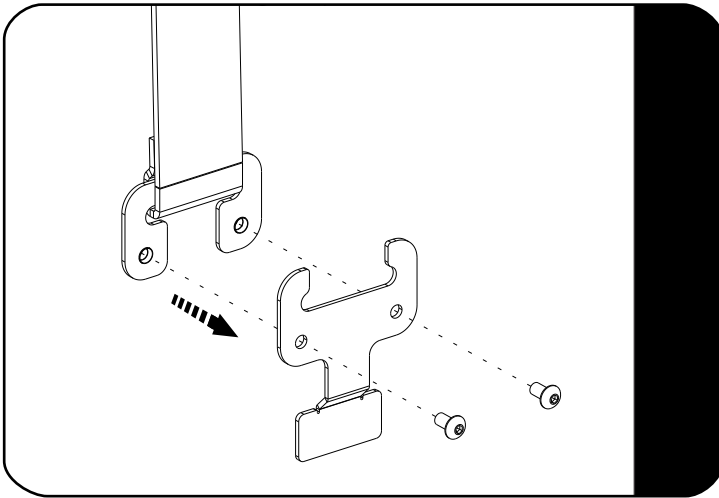


FIGURE 1.1



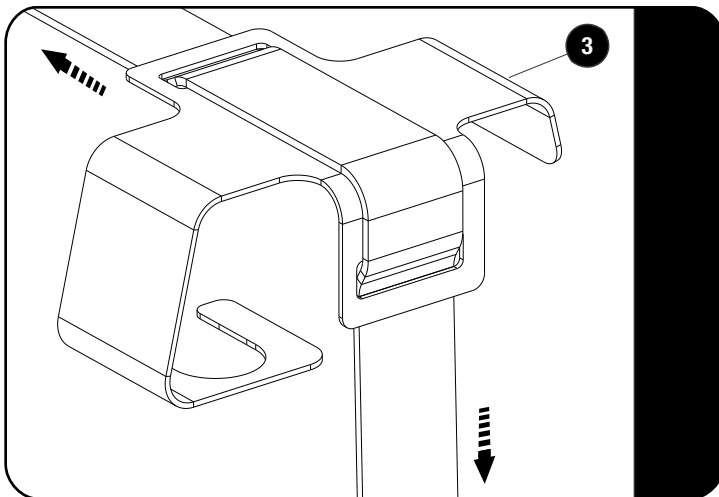
2 FIT AND SECURE

2.1



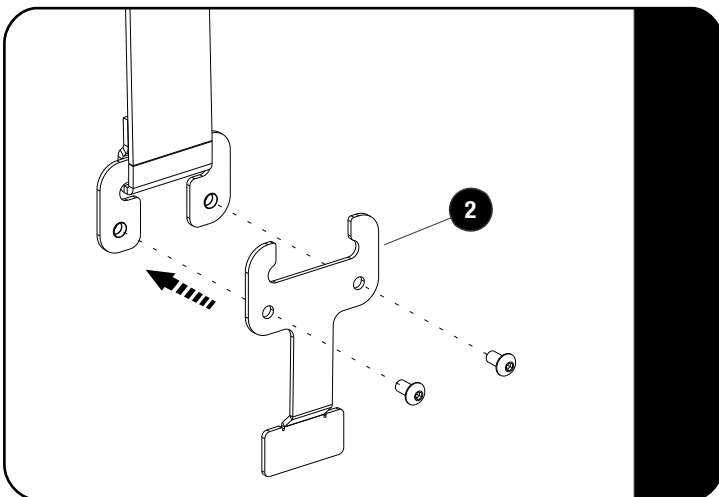
Remove the rear hold plate on the strap.

2.2



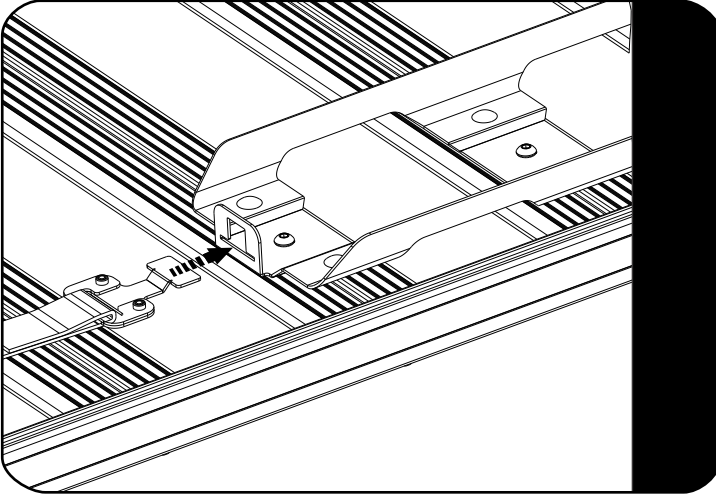
Feed the strap through the 20L Water Jerry Can w/Tap Protector as shown.

2.3



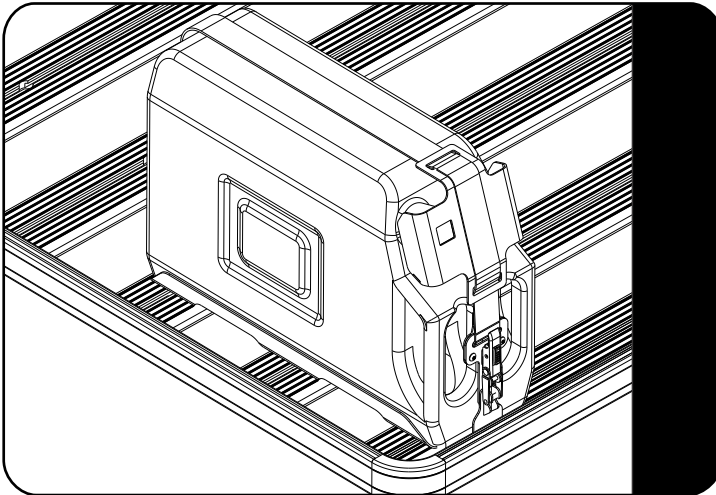
Assemble the Long Rear Holder Plate to the strap as shown.

2.4



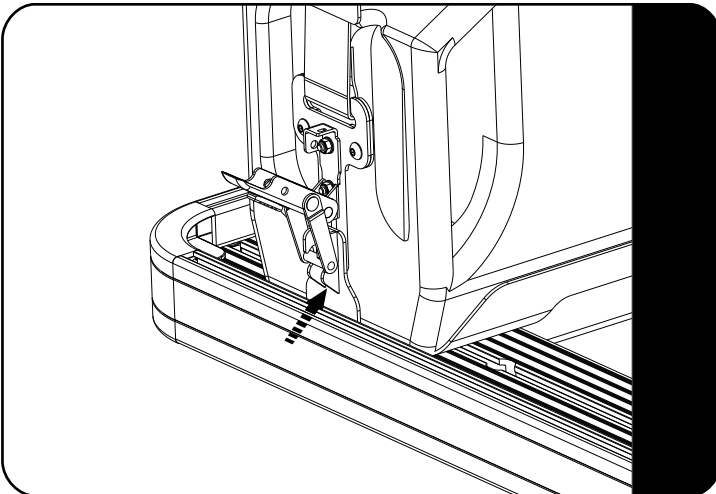
↻ Insert the rear hold plate on the Strap into the slot on the Jerry Can Holder Tray.

2.5



↻ Place your jerry can into the Jerry Can Holder Tray.
Lift the Strap over the the jerry can, ensuring that the bottom lip of the Filler Holding Plate is locating at the bottom of the filler cap.

2.6



↻ Open the latch and hook it into the catch plate on the Jerry Can Holder Tray.

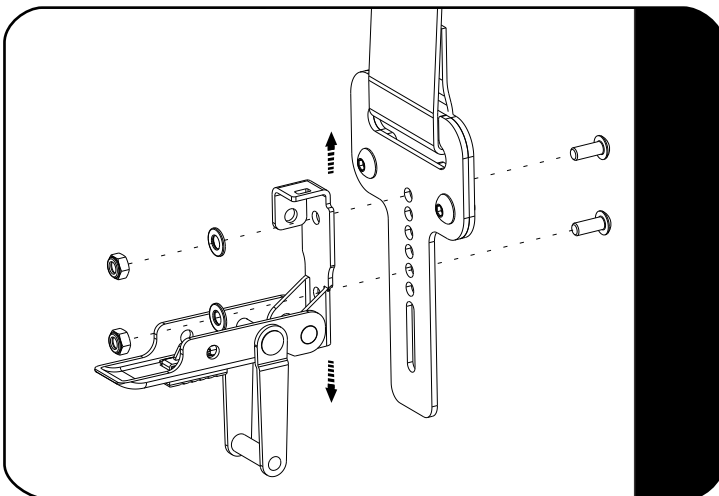
Engage the latch.

If the Strap is the tight and the latch can not engage or if the jerry can is still loose see 2.7 for instructions to set the latch.

2

FIT AND SECURE

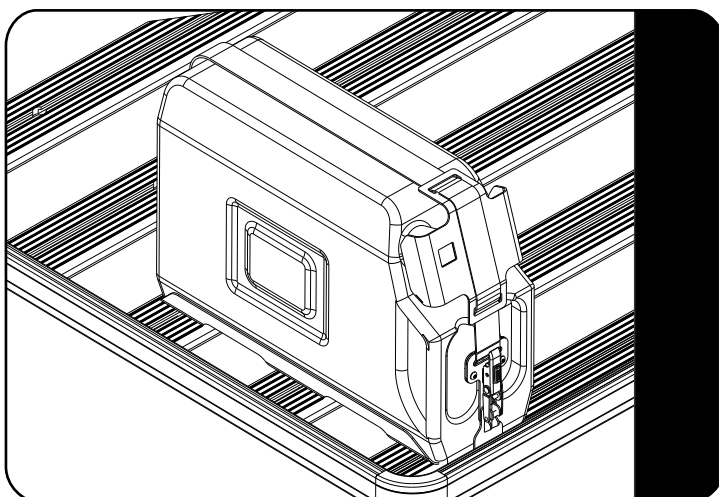
2.7



Using a 3mm allen key and a 7mm spanner, loosen the two bolts holding the latch to the latch plate.

Move the latch up or down depending on your findings in 2.4.

2.8



Engage the latch to secure the Water Jerry Can in place.

3

FINISH

Congratulations! You did it. Take a step back and admire your work!

4

INSTALL OTHER VEHICLE AND RACK ACCESSORIES

Now's the time to visit your favorite Front Runner Dealer in person or online.

Be sure to tag us. We love to see our gear in action! #FrontRunnerOutfitters #BornToRoam

Share your adventures on:

