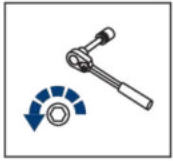


**2M.0004.1 ; 2M.0004.2 ; 2M.0004.3 ;
2M.0004.4 ; 2M.0004.5**





Regular fasteners



Regular fasteners



Screw a several turns



Loosen bolts



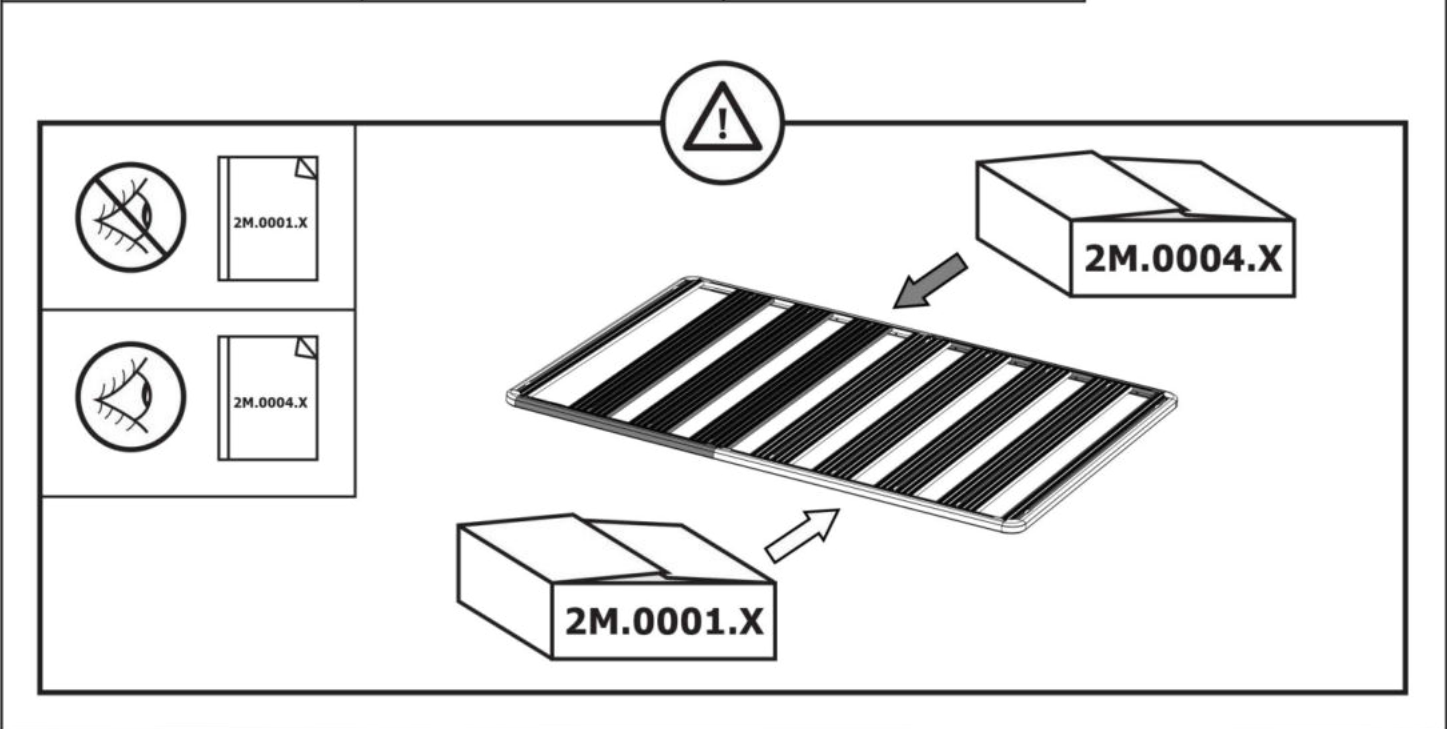
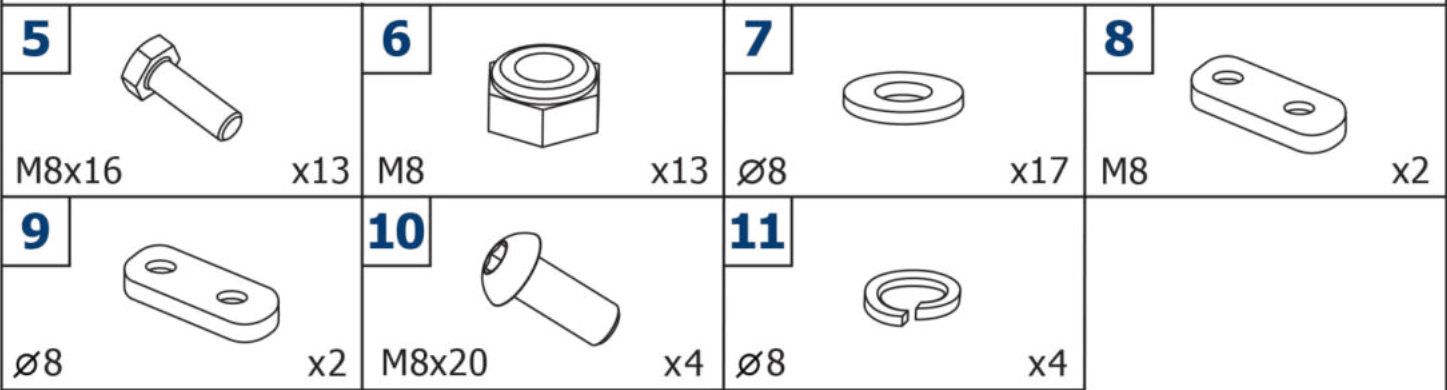
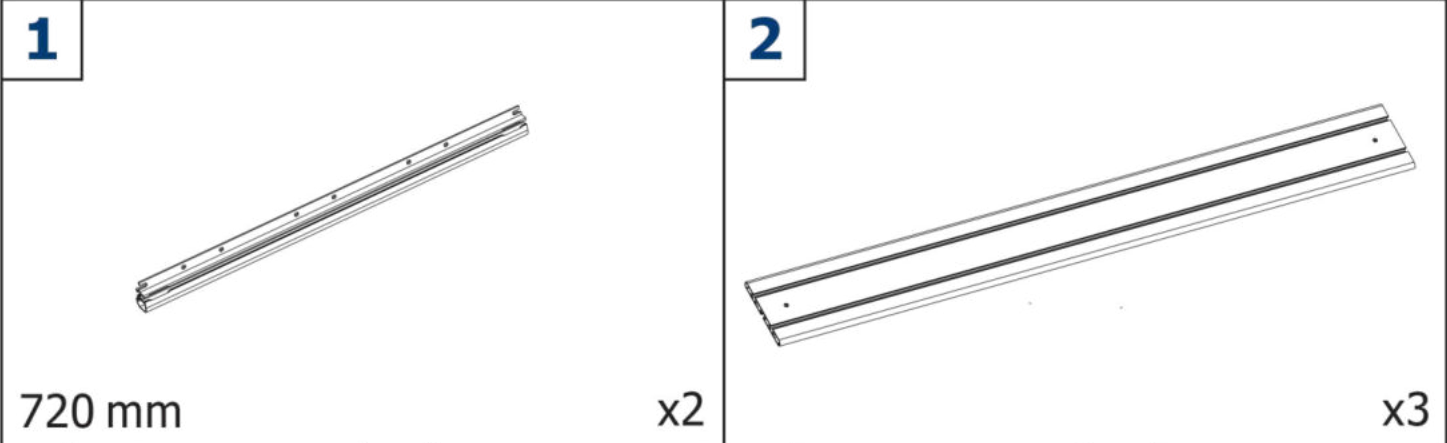
Movement Arrow

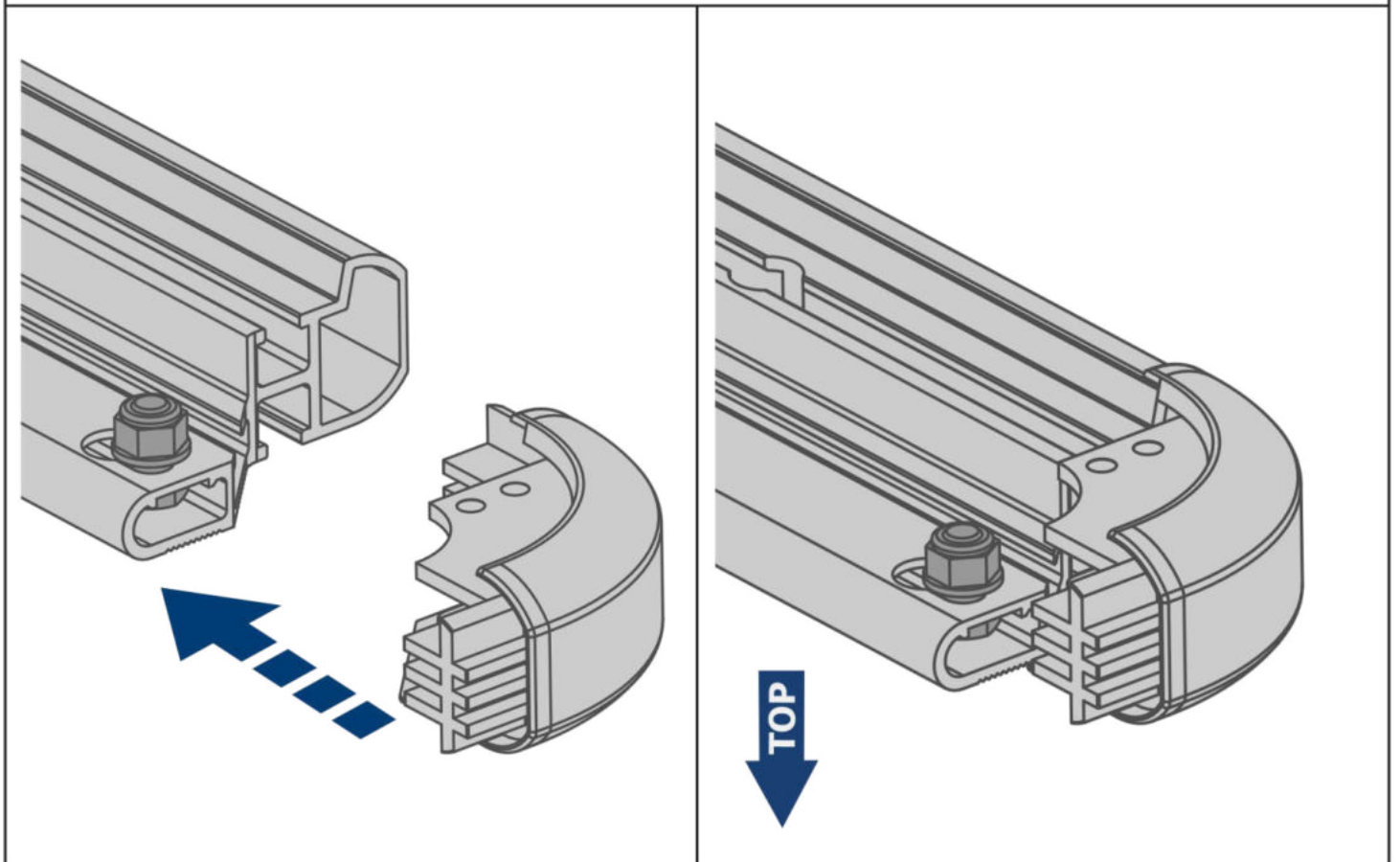
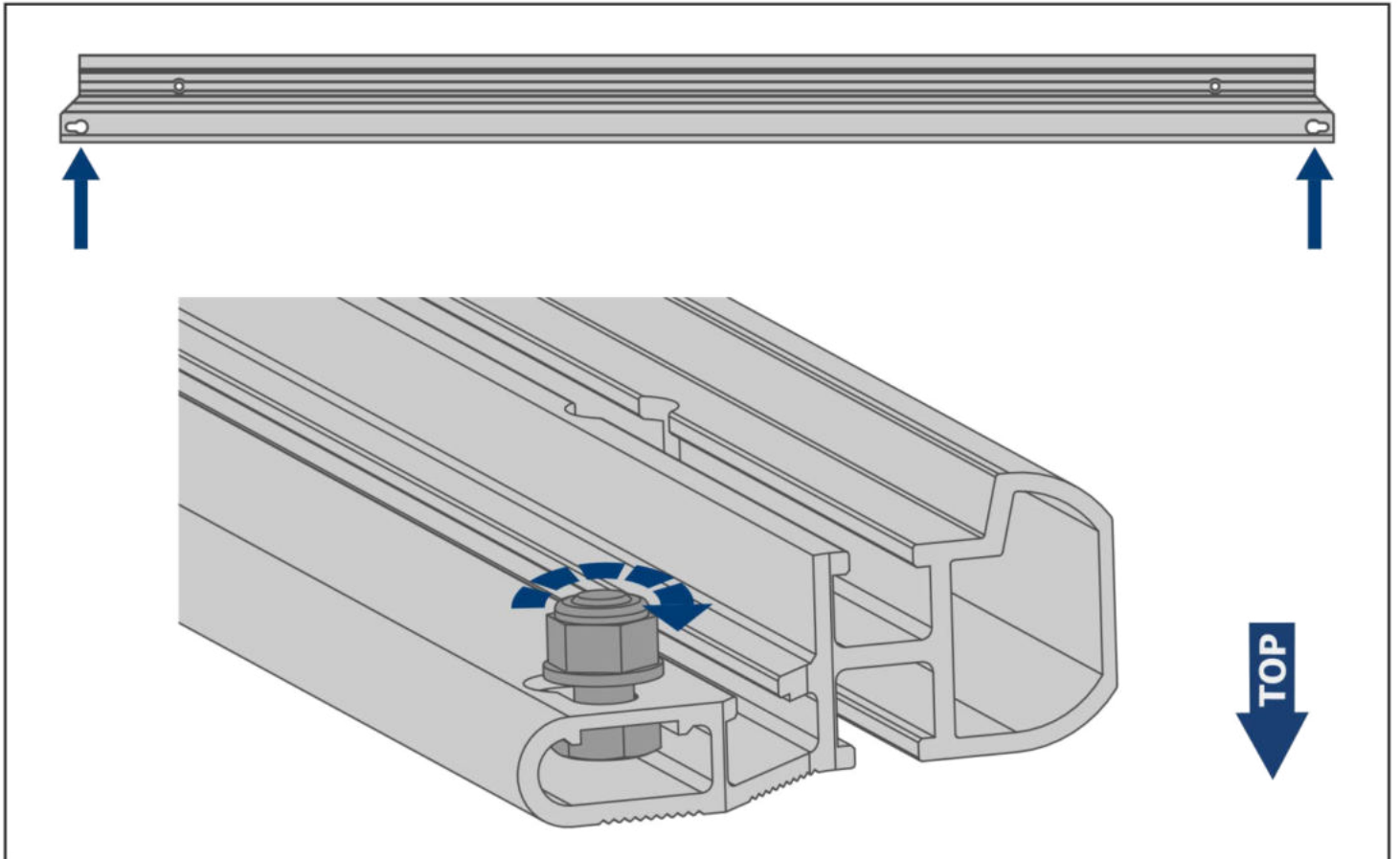


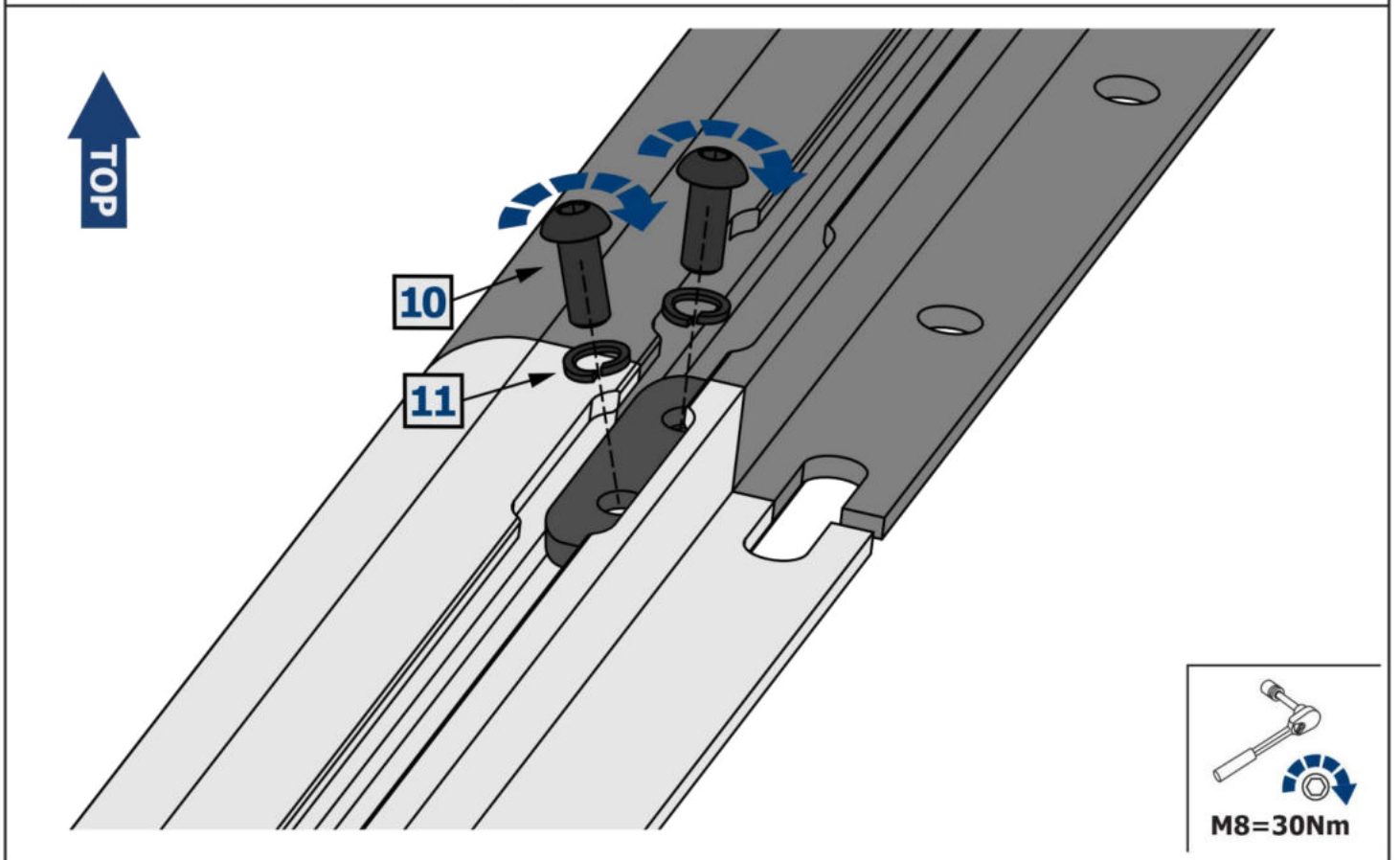
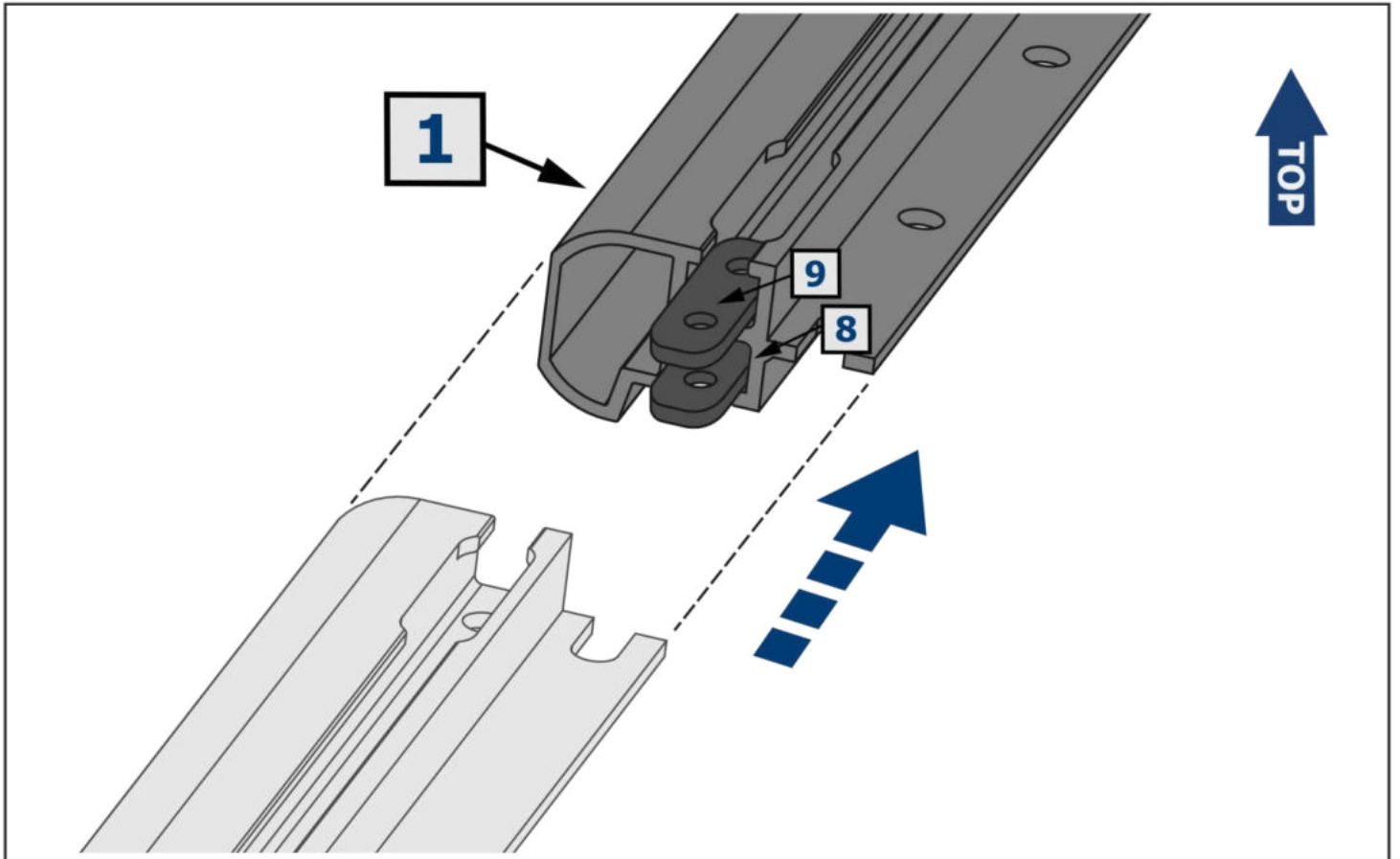
Location/Position Arrow

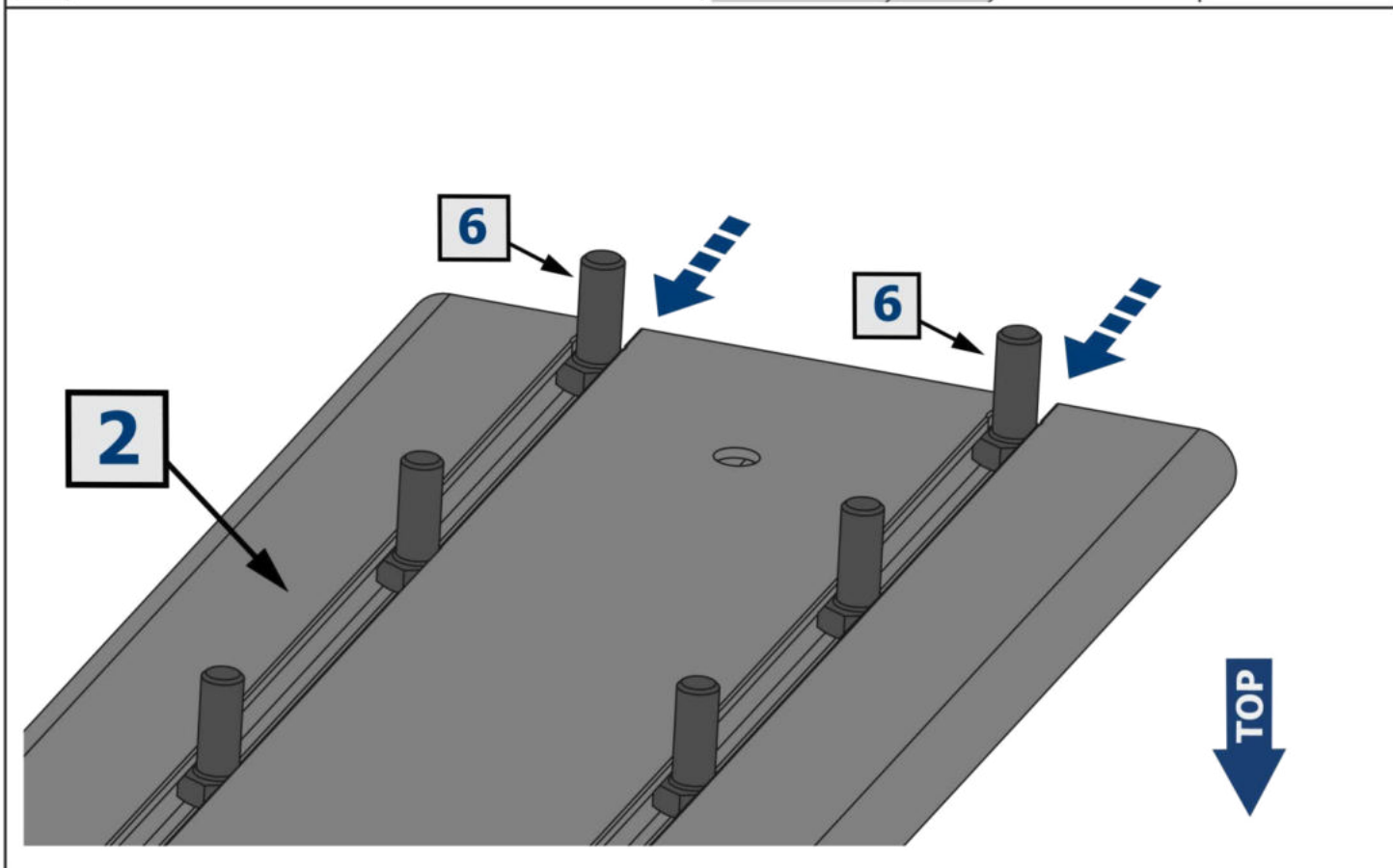
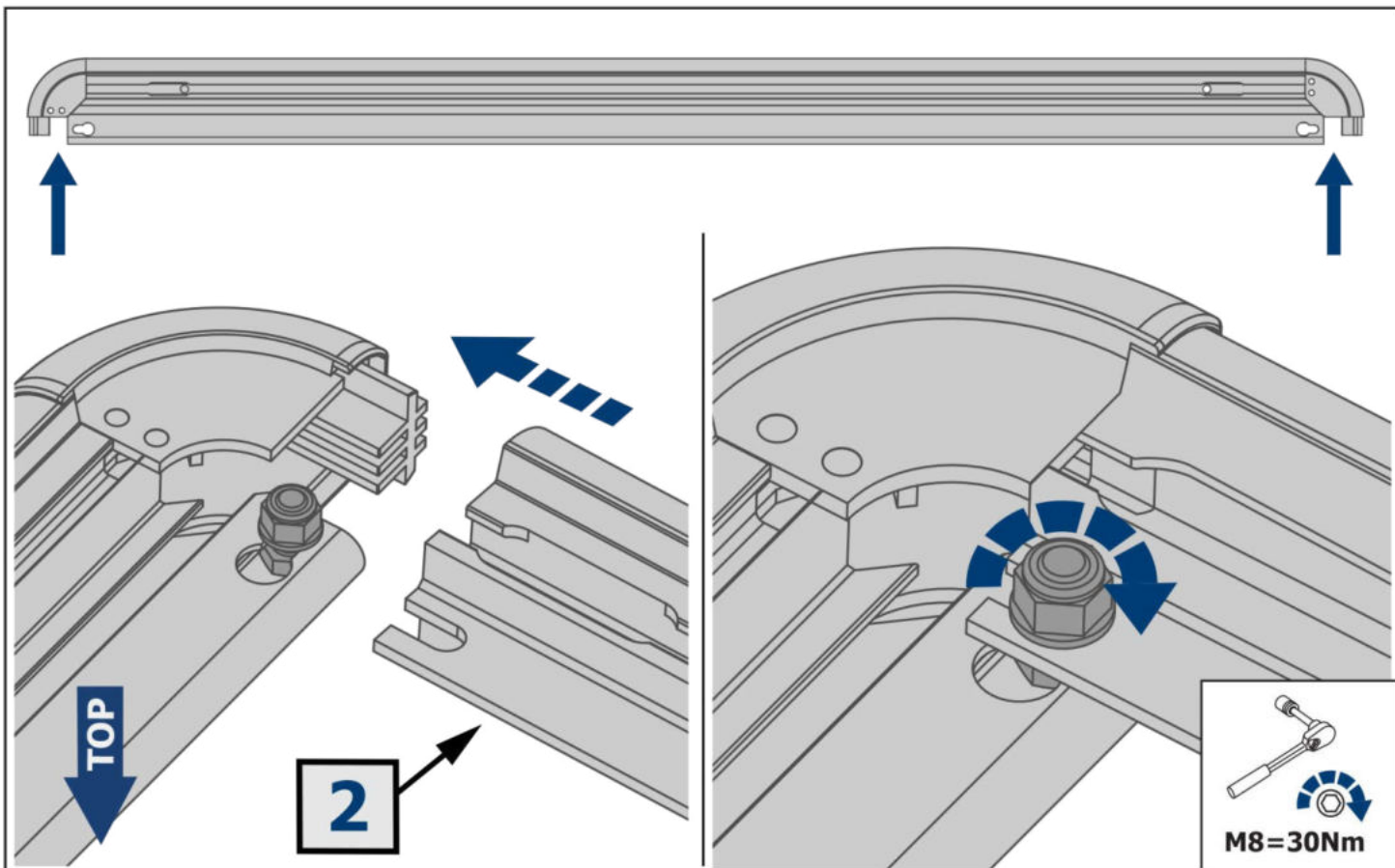


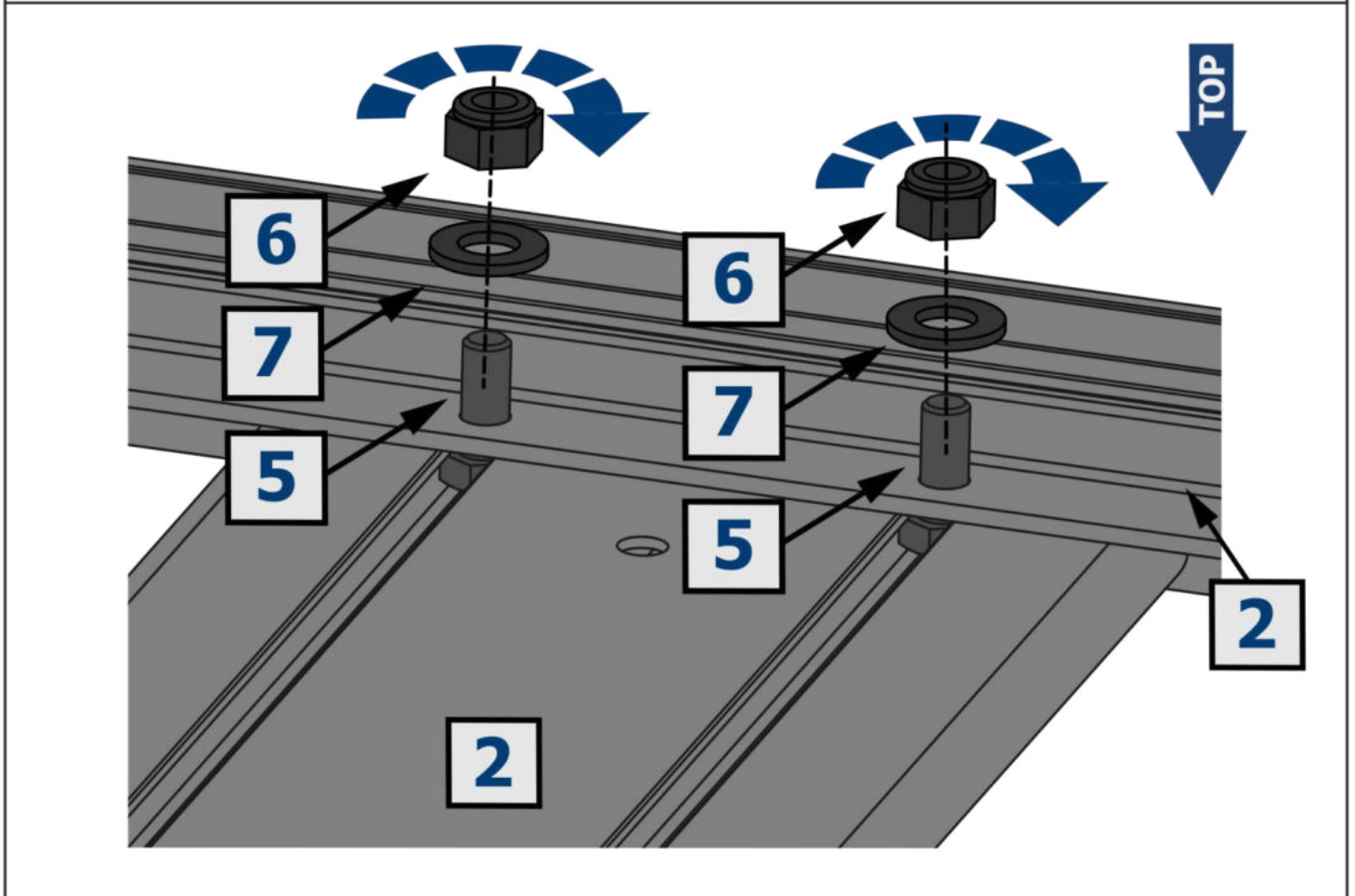
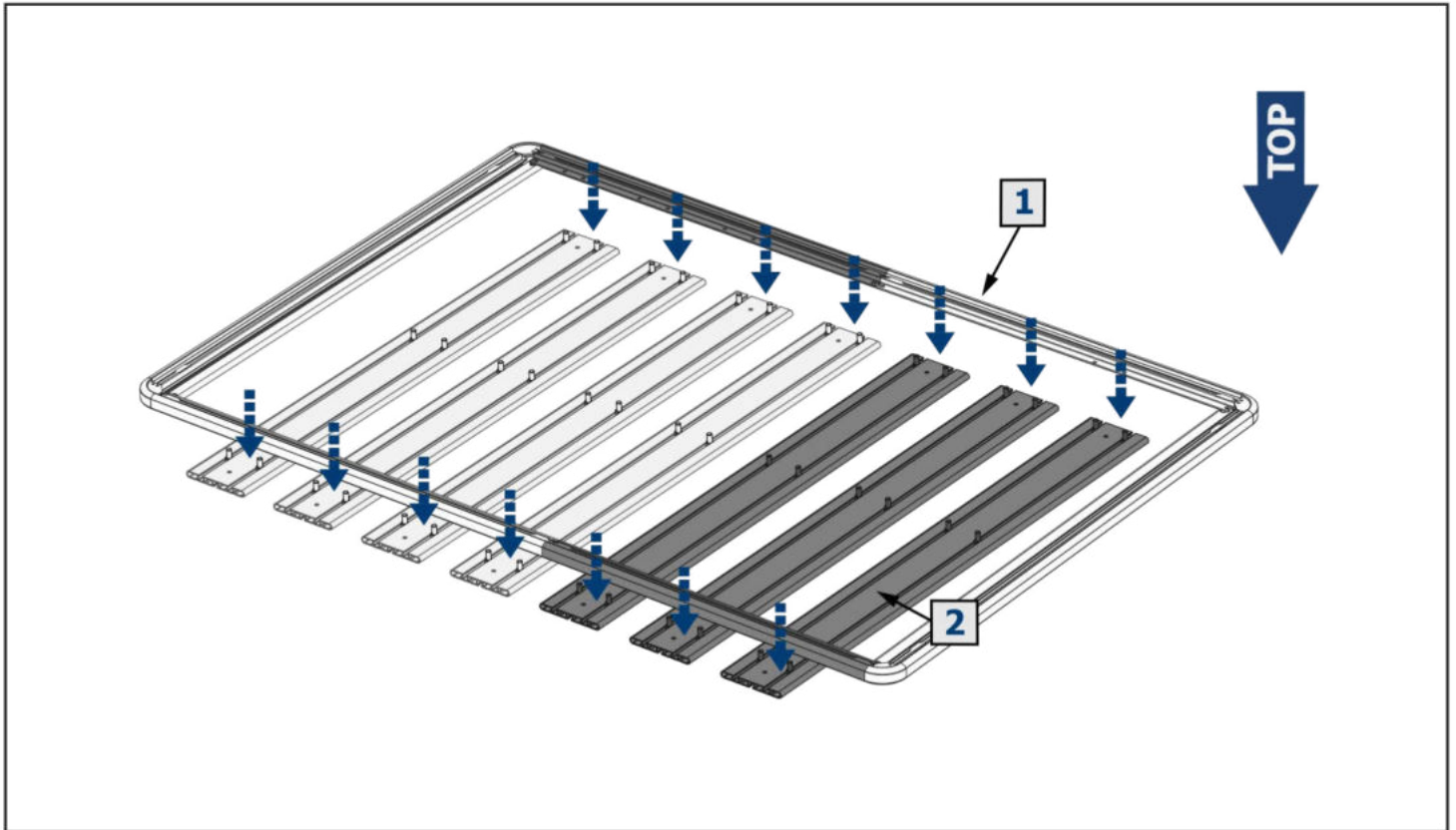
Screw Arrow

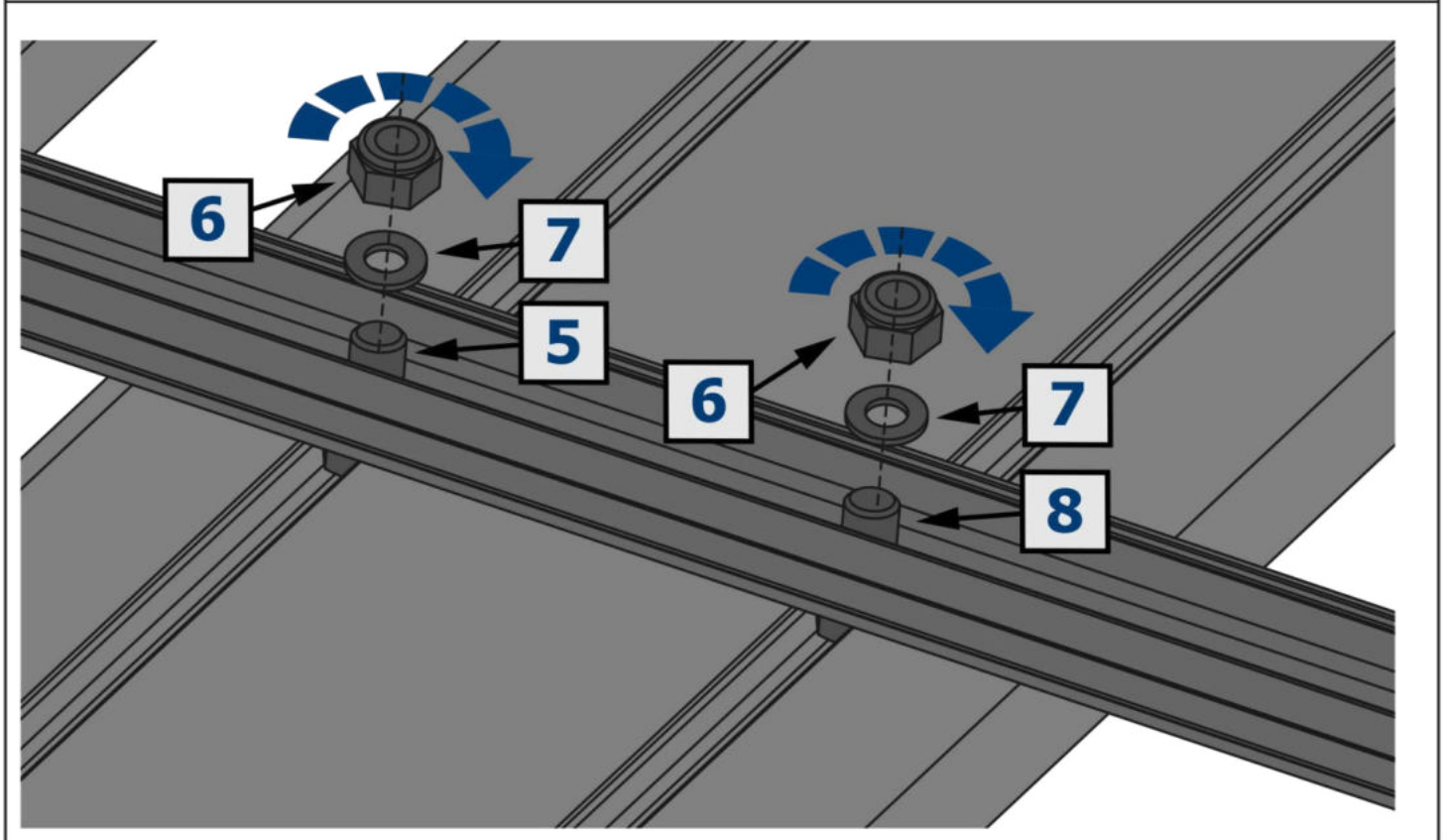
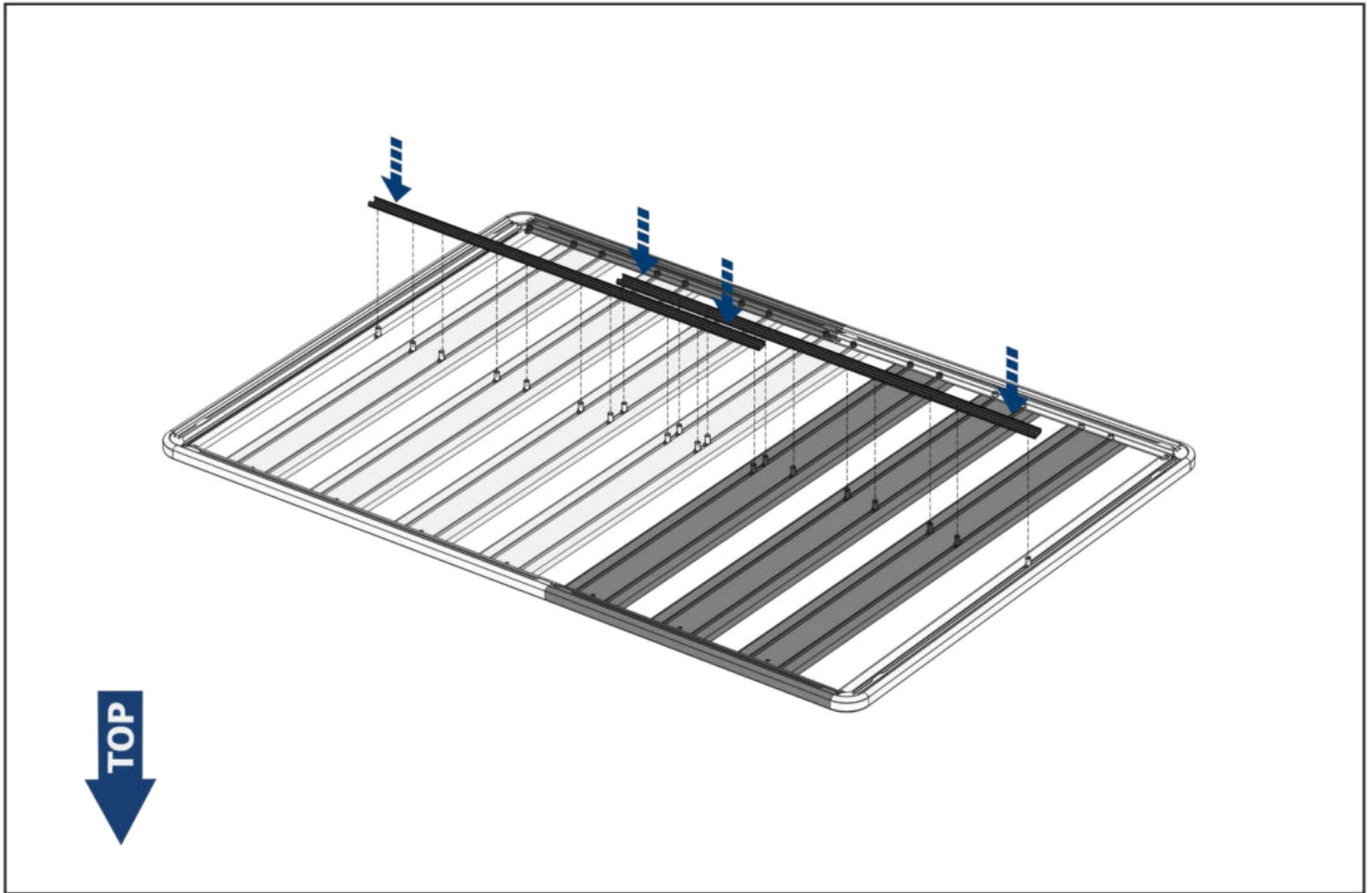






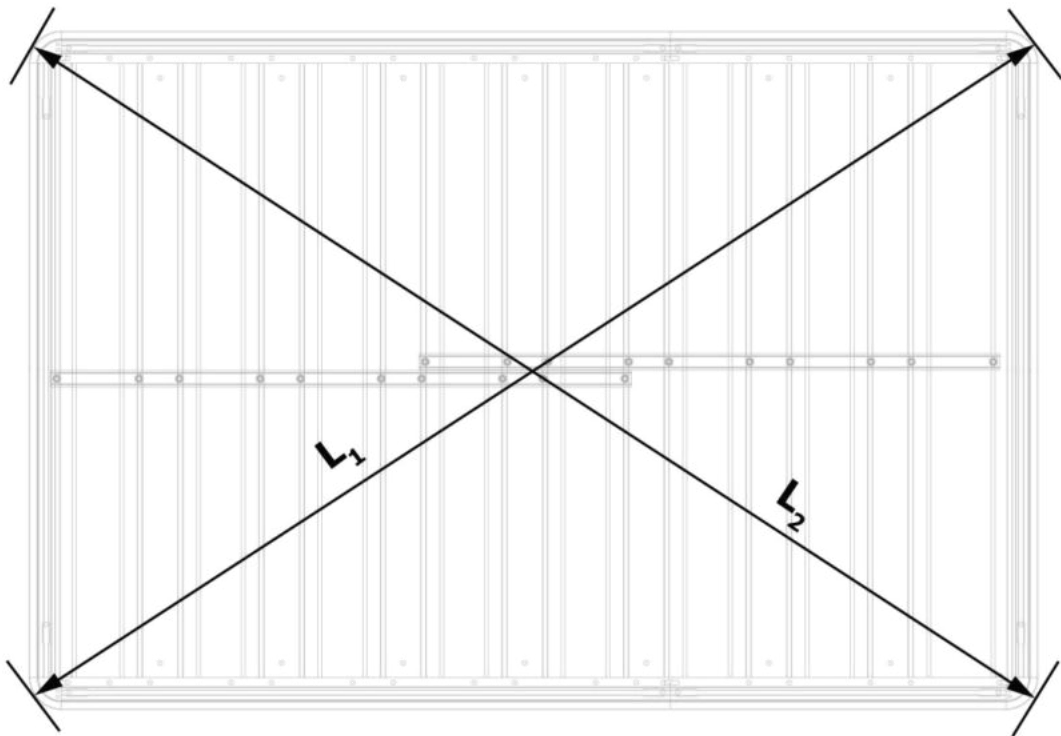
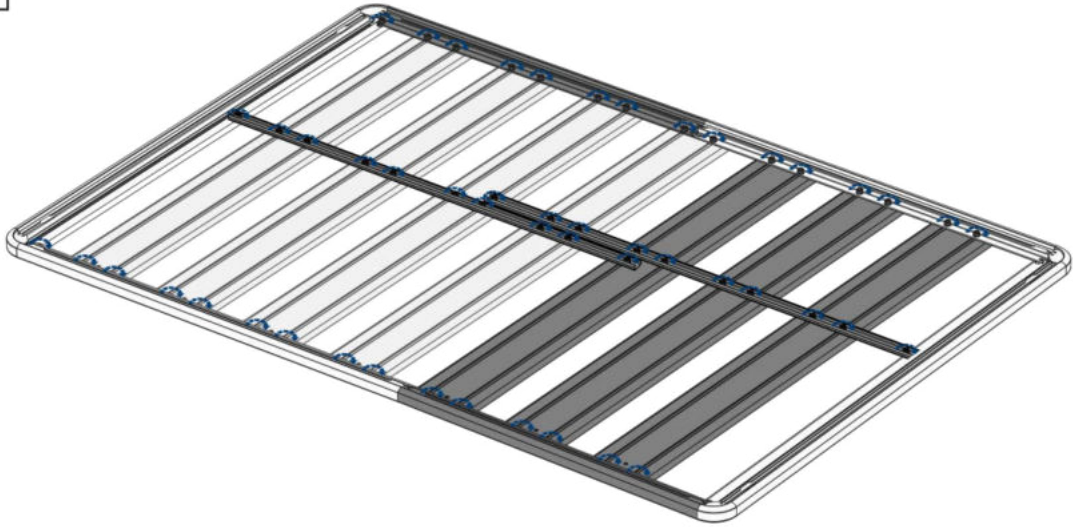




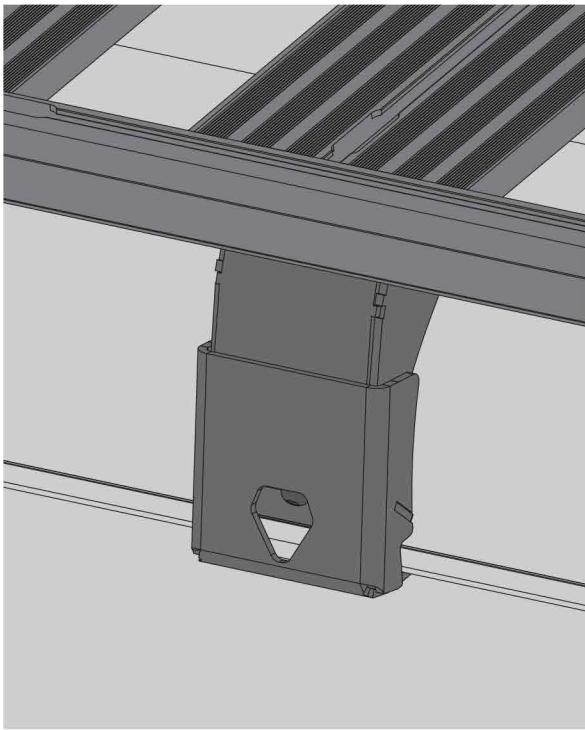




M8=30Nm



$$L_1 = L_2 \pm 1\text{mm}$$



GUTTER MOUNTS
for Toyota Land Cruiser 78
(1984-)

2M.5703.K

