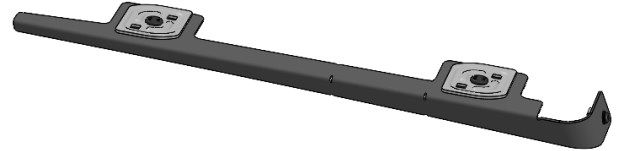
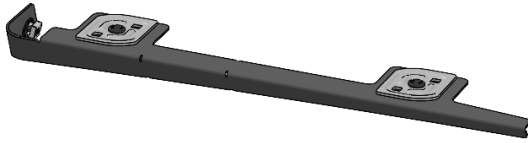


ARB **BASE RACK**

FITTING INSTRUCTION

BASE RACK Air Deflector – 2 Piece



WARNING

NOTE THE FOLLOWING:

- ◆ Vehicle accessories which are not properly fitted can be dangerous.
- ◆ Please read these instructions carefully prior to fitting, and comply with the instructions at all times
- ◆ If in any doubt please contact your nearest ARB state office or the stockist from whom it was purchased.
- ◆ Do not use this product for any vehicle make or model, other than those specified by ARB.
- ◆ This product or its fixing must not be modified in any way.
- ◆ The installation of this product may require the use of specialized tools and/or techniques
- ◆ It is recommended that this product is only installed by trained personnel
- ◆ These instructions are correct as at the publication date. ARB Corporation Ltd. cannot be held responsible for the impact of any changes subsequently made by the vehicle manufacturer
- ◆ During installation, it is the duty of the installer to check correct operation/clearances of all components
- ◆ Work safely at all times
- ◆ Unless otherwise instructed, tighten fasteners to specified torque
- ◆ Check bolt torque after 500km & at regular service intervals

ARB 4x4 ACCESSORIES

Corporate Head Office

42-44 Garden St
Kilsyth, Victoria
AUSTRALIA 3137

Tel: +61 (3) 9761 6622
Fax: +61 (3) 9761 6807

Australian enquiries
North & South American enquiries
Other international enquiries

sales@arb.com.au
sales@arbusa.com
exports@arb.com.au

www.arb.com.au

GENERAL CARE AND MAINTENANCE

By choosing an ARB BASE RACK, you have bought a product that is one of the most sought after 4WD products in the world. Your BASE RACK is a properly engineered, reliable, quality accessory that represents excellent value. To keep your BASE RACK in original condition it is important to care and maintain it following these recommendations:

- As part of any pre-trip preparation, or on an annual basis, it is recommended that a thorough visual inspection of the BASE RACK is carried out, making sure that all bolts and other components are torqued to the correct specification. Replace any components as necessary.

Please contact local Authorised ARB Stockist if you would like to have this service carried out on your behalf.

FITTING REQUIREMENTS

REQUIRED TOOLS FOR FITMENT OF PRODUCT:

| | |
|---------------|------------------|
| Allen key set | 13mm spanner x 1 |
|---------------|------------------|

For BASE RACK lightbar fitment only

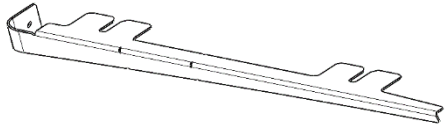
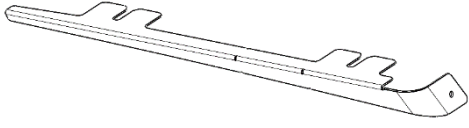
| | |
|---------------------------|----------------------|
| Tinsnips or angle grinder | Black touch-up paint |
|---------------------------|----------------------|

NOTE: 'WARNING' notes in the fitting procedure relate to OHS situations, where to avoid a potentially hazardous situation it is suggested that protective safety gear be worn or a safe work procedure be employed. If these notes and warnings are not heeded, injury may result.

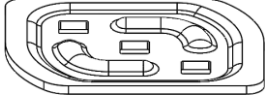
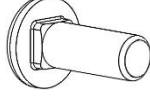
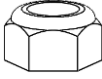

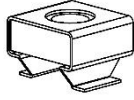


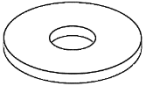
FASTENER TORQUE SETTINGS:

| SIZE | Torque Nm | Torque lbft |
|------|-----------|-------------|
| M6 | 9Nm | 7lbft |
| M8 | 22Nm | 16lbft |

PARTS LISTING

| PART NO. | PICTURE | QTY | DESCRIPTION |
|----------|---|-----|--------------------------|
| 375xxxxR |  | 1 | AIR DEFLECTOR MINI RIGHT |
| 375xxxxL |  | 1 | AIR DEFLECTOR MINI LEFT |

FITTING KIT 6177886

| PART NO. | PICTURE | QTY | DESCRIPTION |
|----------|---|-----|---------------------------------|
| 3195184 |  | 4 | M8 STUD PLATE |
| 6151921 |  | 4 | M8 x 20 STUD - BLACK |
| 6151212 |  | 4 | M8 x 1.25 NYLOC NUT - BLACK |
| 4581085 |  | 4 | M8 FLAT WASHER - BLACK |
| 6151300 |  | 2 | M6 CAGE NUT |
| 6151459 |  | 2 | M6 x 16 BUTTON HEAD HEX - BLACK |
| 4584329 |  | 2 | M6 FLAT WASHER - BLACK |
| 4581082 |  | 2 | M6 FLAT WASHER LARGE - BLACK |

BEFORE STARTING, READ ALL STEPS OF THE INSTRUCTIONS CAREFULLY AND CHECK ALL PARTS

NOTE: For ease of assembly, the air deflectors should be fitted on the BASE RACK prior to its installation on the vehicle. It can however be done afterwards. Read these instructions in connection with the BASE RACK kit instructions before proceeding with the installation.

OPTIONAL: LIGHTBAR FITMENT

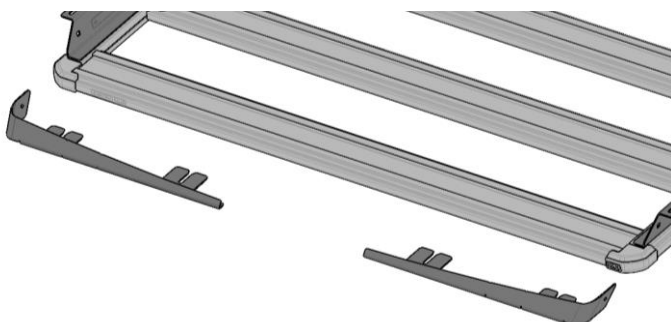
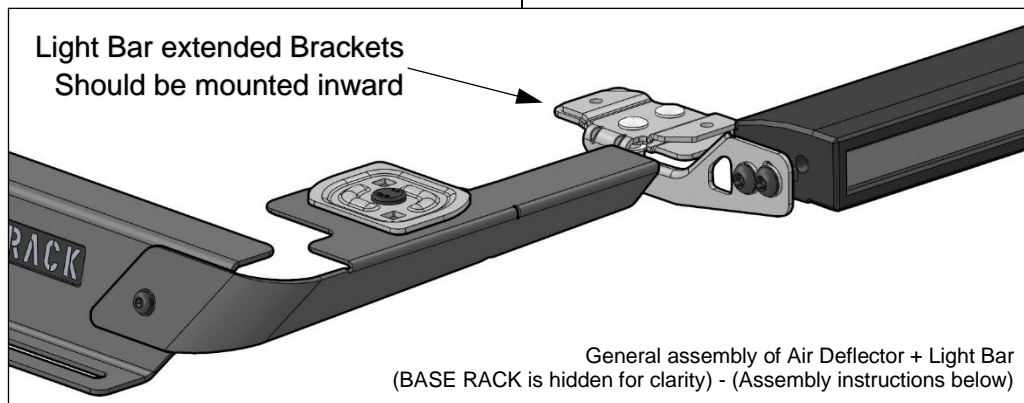
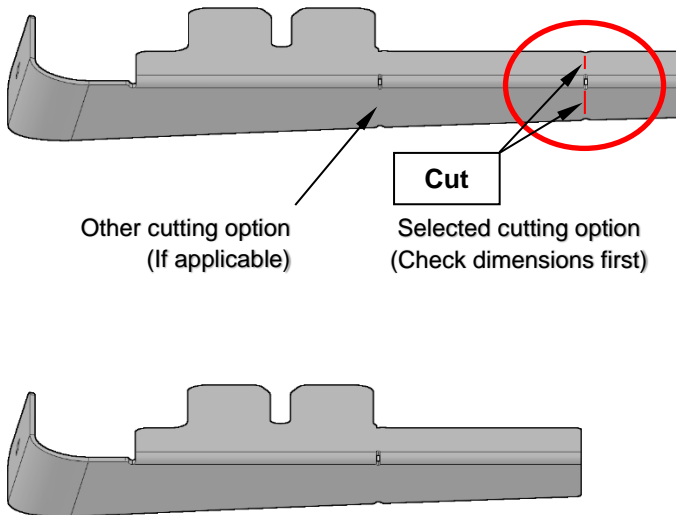
If fitting Air Deflectors together with a front mounted BASE RACK Light Bar 1780500, the Air Deflectors need to be modified as described below. Refer to respective instruction manuals of the Light Bar and BASE RACK kit for more details.

1. -Check dimensions first: Some Air Deflectors have more than one set of notches. Choice of cutting line might depend on model variant of car or van.

-Cut the air deflector, following a straight line between the notches.

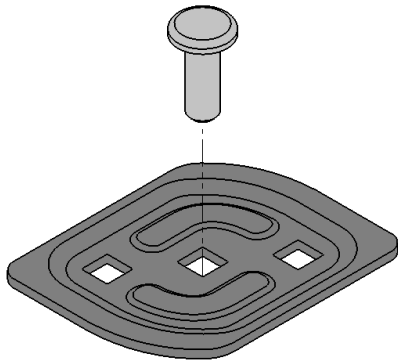
-Discard the material removed.

-Remove any sharp edges and paint raw edges with black touch-up paint.

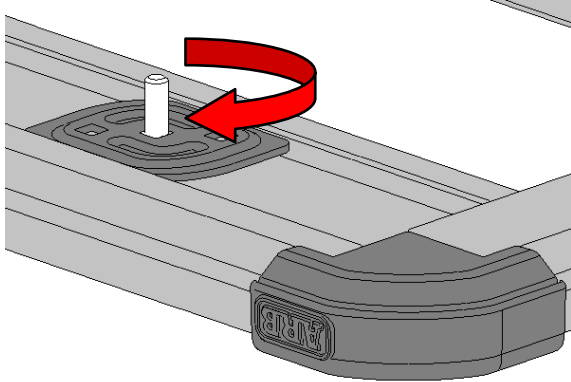


Note: BASE RACK should be upside down. Provide protection to the top face of the BASE RACK to avoid marking its surfaces.

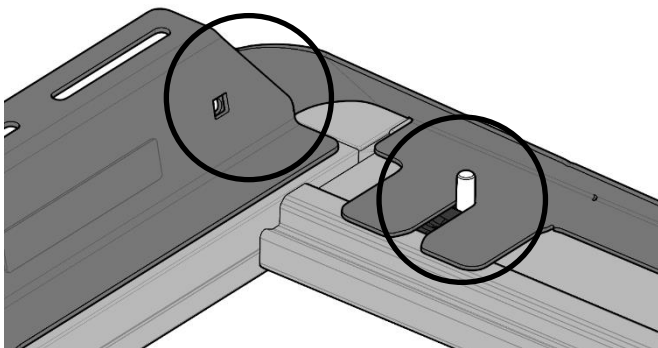
2. Lay the air deflectors parallel with the front of the BASE RACK. This will help determine the general position for the stud plates.



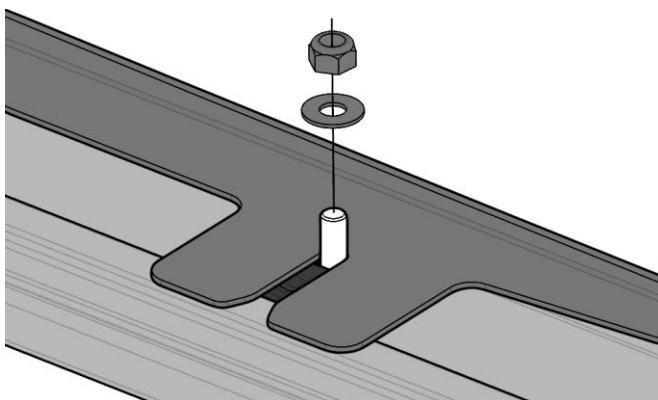
3. Insert one M8 x 20 Stud into each of the Stud Plates as shown.



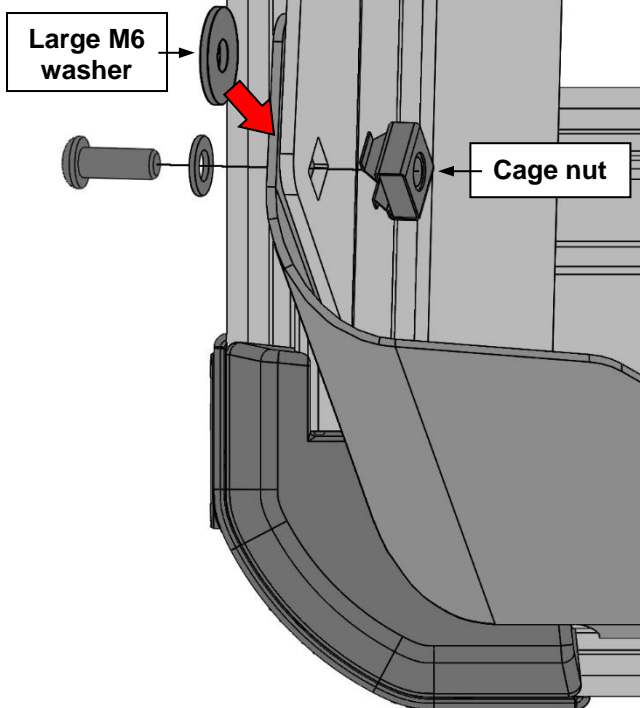
4. Flip the plate over and insert each of the 4 assembled stud plates into the front channel of the BASE RACK.
 Rotate 90 degrees and ensure the axis of the bolt lines up with the holes in the air deflector.



5. Place the air deflector on top of the assembled BASE RACK and blade brackets.
 Ensure that:
 - Each M8 Stud bolts is in its corresponding deflector slot.
 - Folded ends of the deflector are outside the ends of the blade brackets.



6. Attach the air deflector mounting plates to the stud plates with an M8 flat washer & nyloc nut.
 Leave nut loose enough to allow assembly to slide along channel.



7. Install cage nut in location shown.

Place the large M6 washer (4581082) between the blade and the air deflector and secure using the remaining M6 Button head screw and M6 washer (4584329), as shown.

8. Tighten all screws to specified torque.

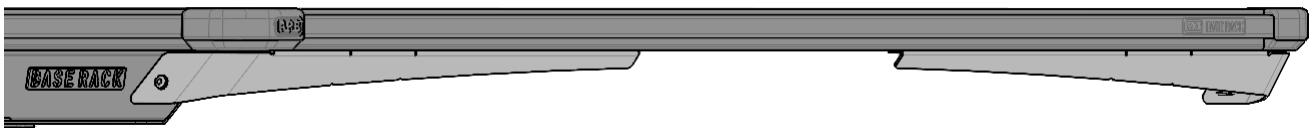


Torque M8 to 22Nm



Torque M6 to 9Nm

Fitted.



Fitted with optional BASE RACK Light Bar (in front of deflector).

