

INSTALLATION MANUAL

PRODUCT: RIVAL STEEL FRONT WIDE BUMPER

MODEL: JEEP WRANGLER JK (2007-2018)
JEEP WRANGLER JL (2018-)
JEEP GLADIATOR JT (2019-)

PART NO: 2D.2710.1.1



CAUTION!

To reduce the risk of serious injury or damage, please read and understand all instructions and procedures before attempting to install or use this product. Safety glasses must be worn at all times during installation or maintenance of this product. Ensure all mounting bolts are tensioned after 250 miles (400 km) and periodically thereafter.

NOTICE

Whilst the bumper adds additional protection to your vehicle, precautionary measures still need to be taken to avoid damage.
Always drive to the conditions and your surroundings.

FRONT WIDE BUMPER

Part number: 2D.2710.1.1
Suited to: JEEP WRANGLER JK 2007-2018
JEEP WRANGLER JL 2018-
JEEP GLADIATOR JT 2019-



SAFETY NOTICE

- * The RIVAL Bumper is designed to compliment the use and design of the specified vehicle under conditions specified by the vehicle manufacturer.
- * While driving the vehicle at any speed, collision with any other vehicle, animal or object must always be avoided.
- * Following any collision with any other vehicle, animal or object, the RIVAL Bumper and the vehicle must be inspected by a specialized or suitably qualified vehicle repairer for possible damage to the components and assemblies in order to confirm suitability for further use of the vehicle.
- * It is strongly recommended that you do not operate a vehicle with a damaged bumper or its components. In the case of damage, please contact the nearest RIVAL dealer. Vehicle, or where the bumper has been damaged, is extremely dangerous and must be avoided at all cost.
- * The operation of a vehicle where the bumper is not properly attached and fastened to the vehicle, or where the bumper has been damaged, is extremely dangerous and must be avoided at all cost.
- * It is recommended that you carry out regular inspections of all the bumper elements such as all bolts, wires, connectors.

INSTALLATION NOTICE

- * Personal safety during the installation process must be adhered to at all times and the use.
- * Estimated time for installation: 2 hours.
- * The RIVAL Bumper must be mounted and affixed to the vehicle according to this installation manual of personal safety equipment is highly recommended.
- * Do not install this bumper on vehicle models other than those allowed in this manual.
- * Check state and local highway safety laws regarding permitted bumper types and heights.

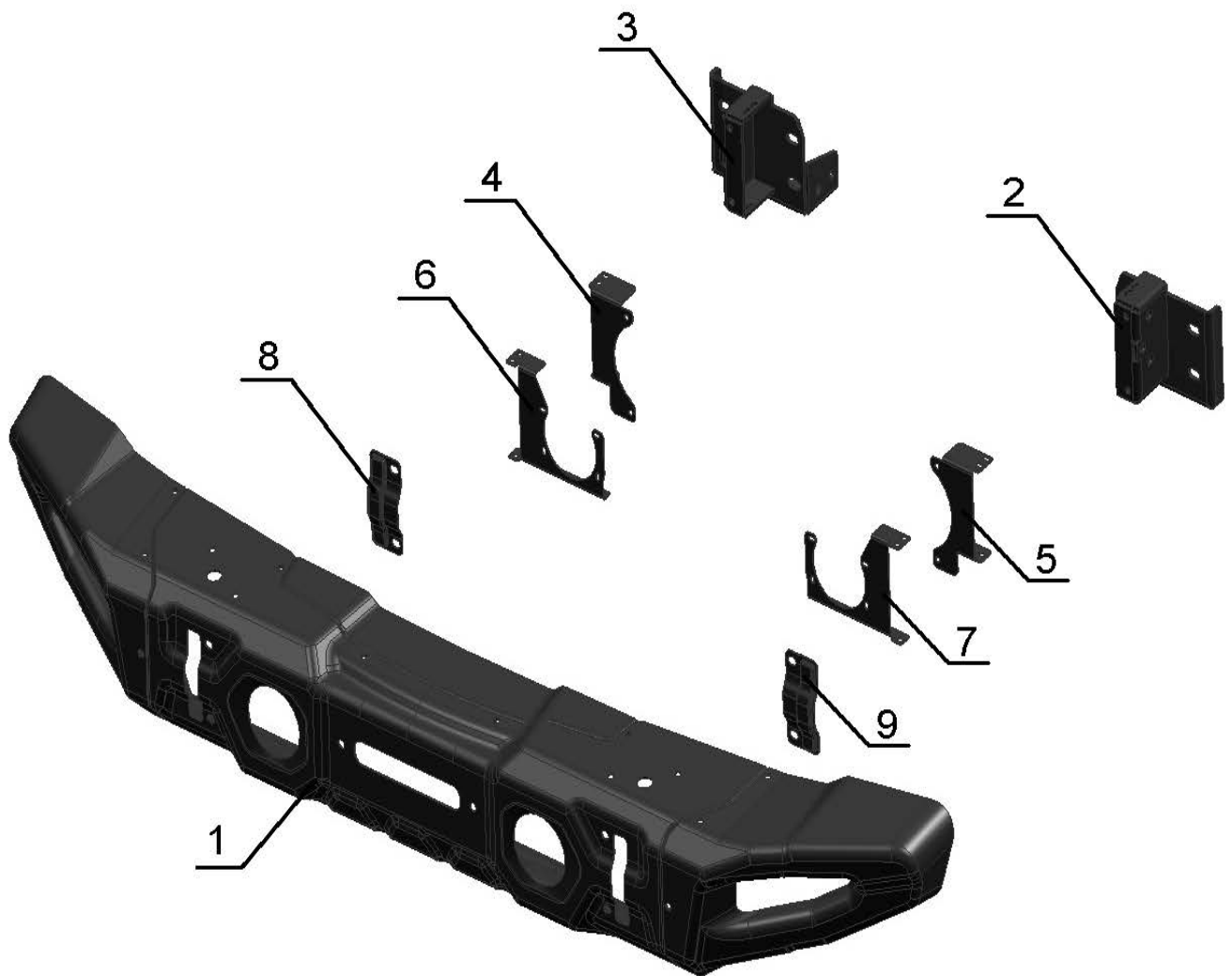
REQUIRED TOOLS

- * Basic tool kit
- * Torque wrench
- * Crosspoint and flat head screwdriver

TORQUE SETTING

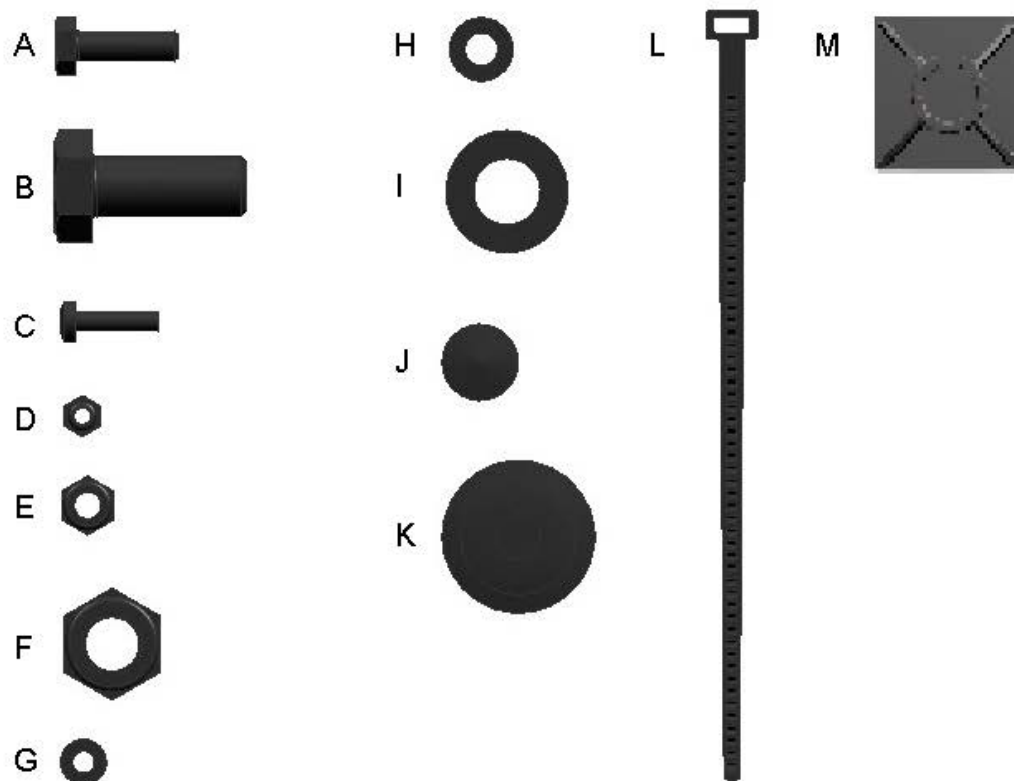
- M4 - 3 Nm (2.3 lb/ft)
- M6 - 9 Nm (6.6 lb/ft)
- M8 - 24 Nm (17.7 lb/ft)
- M12 - 77 Nm (56.8 lb/ft)

PARTS LISTING



- | | |
|--|-------|
| 1. Steel bumper body | Qty 1 |
| 2. Left frame bracket..... | Qty 1 |
| 3. Right frame bracket..... | Qty 1 |
| 4. Fog lights right bracket (OE steel bumper)..... | Qty 1 |
| 5. Fog lights left bracket (OE steel bumper)..... | Qty 1 |
| 6. Fog lights right bracket (OE plastic bumper
Rubicon/Sahara)..... | Qty 1 |
| 7. Fog lights left bracket (OE plastic bumper
Rubicon/Sahara)..... | Qty 1 |
| 8. Right tow hooks plug..... | Qty 1 |
| 9. Left tow hooks plug..... | Qty 1 |

PARTS LISTING



A. Bolt M6x20.....	Qty 10
B. Bolt M12x30.....	Qty 8
C. Screw M4x16.....	Qty 8
D. Nut M4.....	Qty 8
E. Nut M6.....	Qty 10
F. Nut M12.....	Qty 8
G. Washer 4 mm.....	Qty 16
H. Washer 6 mm.....	Qty 20
I. Washer 12 mm.....	Qty 16
J. Plastic plug 16mm.....	Qty 4
K. Plastic plug 32mm.....	Qty 2
L. Cable tie.....	Qty 6
M. Cable clips.....	Qty 6

INSTALLATION PROCEDURE

*Remove left frame bracket (item 2) and right frame bracket (item 3) from steel bumper body (item 1), before installation. Set aside hardware for re-use later on.

Preparation for installation on JK, JL, JT

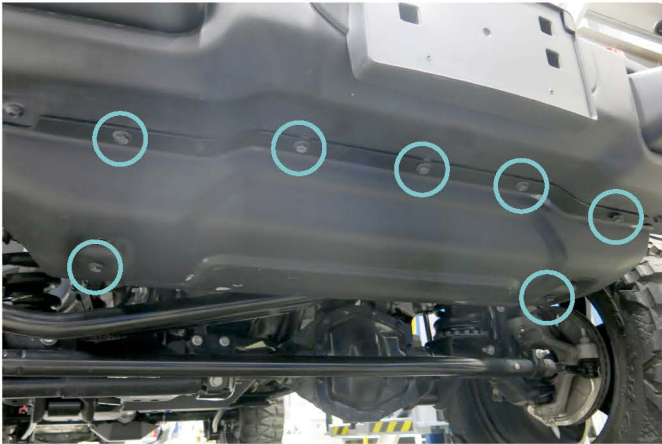


Fig. 1

1. Remove 7 bolts securing steering skid plate. Uninstall skid plate (Fig. 1).

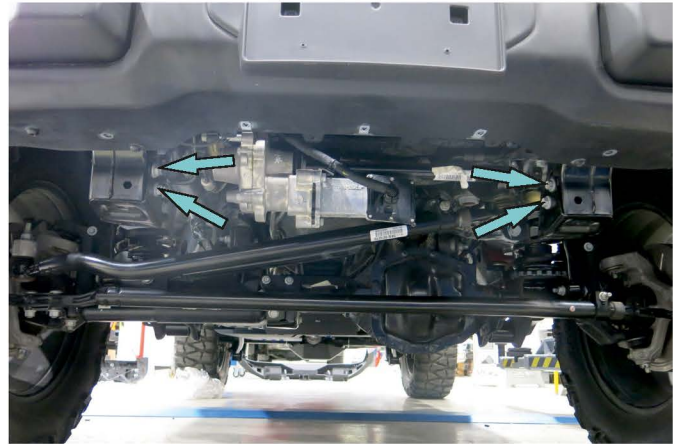


Fig. 2

2. Unscrew 2 bolts (on each side) securing skid plate bracket (Fig. 2).



Fig. 3

3. Unscrew 2 bolts securing OE skid plate (Fig. 3).



Fig. 4

4. Remove fascia plate trim clips (Fig. 4).



Fig. 5

5. Remove plastic push clips, using a small feather edge screwdriver (Fig. 5).



Fig. 6

6. Disconnect the fog light wire harness (Fig. 6).

INSTALLATION PROCEDURE

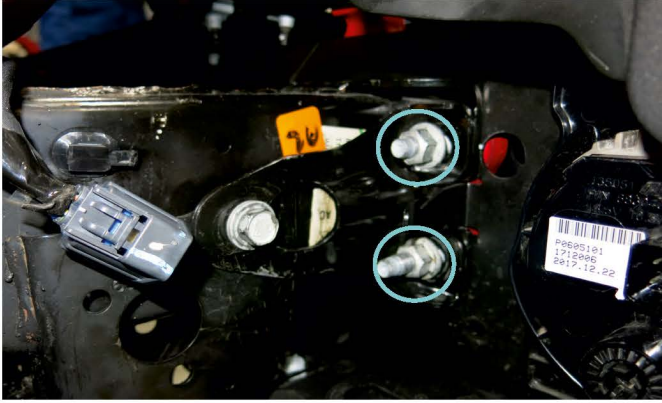


Fig. 7

7. Unscrew 8 nuts from the OE bumper (four on each side). Remove OE bumper, remove horn (on JK only) (Fig. 7).



Fig. 8

8. Remove 4 pcs frame reinforcement (two on each side), by unscrewing OE bolts (Fig. 8).

Bracket installation on JK, JL, JT



Fig. 9

9. Install right frame bracket (item 3) on the vehicle frame. Fix bolts M12x30 (item B), nuts M12 (item F) and washers 12 mm (item I) (Fig. 9).

***Tighten hardware after that.**



Fig. 10

10. Install left frame bracket (item 2) on the vehicle frame. Fix bolts M12x30 (item B), nuts M12 (item F) and washers 12 mm (item I) (Fig. 10).

***Tighten hardware after that.**

Fog lights installation for – Models with OE steel bumper only.



Fig. 11

11. Remove OE fog lights, preinstalled on your OE steel bumper (Fig. 11).



Fig. 12

12. Install Fog light right bracket (OE steel bumper) (item 4) and Fog light left bracket (OE steel bumper) (item 5) on brackets (item 2 and 3). Fix it using bolts M6x20 (item A), washer 6 mm (item H) and nuts M6 (item E) (Fig. 12).

***Tighten hardware after that.**

INSTALLATION PROCEDURE



Fig. 13



Fig. 14

13. Install OE fog lights on fog light right bracket (OE steel bumper) (item 4) and fog light left bracket (OE steel bumper) (item 5). Fix it using bolts M6x20 (item A), washers 6 mm (item H) and nuts M6 (item E). Fix OE fog lights wiring using cable ties (item L) and cable clips (item M) on the vehicle's frame (Fig. 13, 14).

***Tighten hardware after that.**

Fog lights installation for – Rubicon/Sahara Models with OE plastic bumper only.



Fig. 15

14. Remove OE fog lights, preinstalled on your OE plastic bumper (Fig. 15).

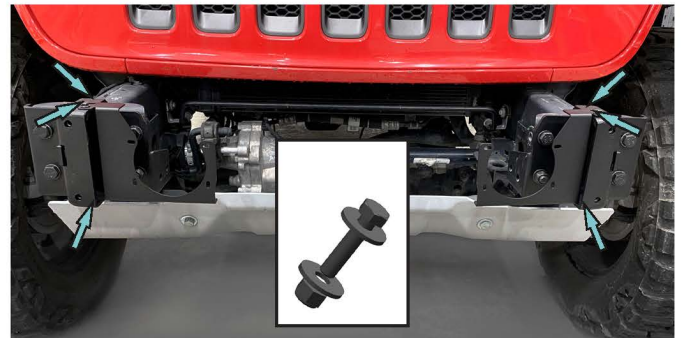


Fig. 16

15. Install Fog lights right bracket (OE plastic bumper Rubicon/Sahara) (item 6) and Fog lights left bracket (OE plastic bumper Rubicon/Sahara) (item 7) on brackets (item 2 and 3). Fix it using bolts M6x20 (item A), washer 6 mm (item H) and nuts M6 (item E) (Fig. 16).

***Tighten hardware after that.**

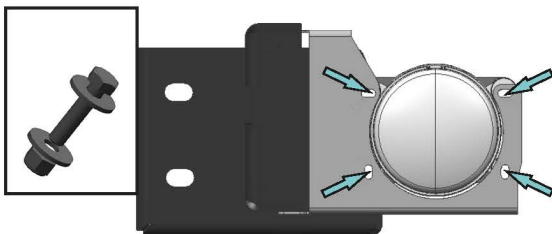


Fig. 17

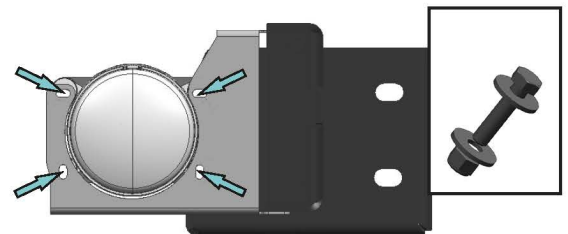


Fig. 18

16. Install OE fog lights on fog lights right bracket (OE plastic bumper Rubicon/Sahara) (item 6) and fog lights right bracket (OE plastic bumper Rubicon/Sahara) (item 7). Fix it using screw M4x16 (item C), washer 4 mm (item G) and nuts M4 (item D). Fix OE fog lights wiring using cable ties (item L) and cable clips (item M) on the vehicle's frame (Fig. 17, 18).

***Tighten hardware after that.**

INSTALLATION PROCEDURE

*If you supplied your bumper with winch mount bracket 2D.2715.1.2 then pass steps 17-18 and follow steps 2-22 of installation manual for winch mount bracket 2D.2715.1.2.

*If you supplied your bumper with lightbar 2D.2715.1.3 then pass steps 17-18 and follow steps 2-4 of installation manual for lightbar 2D.2715.1.3.

NOTE! it is necessary to install lightbar 2D.2715.1.3 on bumper body before installation on your vehicle.

*If you supplied your bumper with tow hooks 2D.2715.1.4 then pass steps 17-18 and follow steps 2-3 of installation manual for tow hooks 2D.2715.1.4.

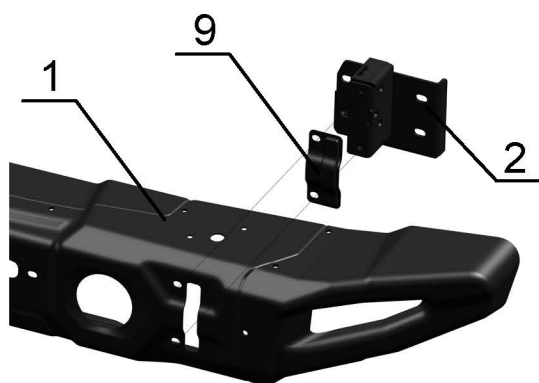


Fig. 19



Fig. 20

17. Install steel bumper body (item 1) and tow hooks plugs (item 8 and item 9) on brackets (item 2 and 3). Fix it using screws M8x20 and washer 8 mm (Fig. 19,20).

***Tighten hardware after that.**



Fig. 21

18. Install plastic plugs 16mm (item J) and plastic plugs 32mm (item K) (Fig. 21).

INSTALLATION PROCEDURE

Before operating a vehicle fitted with RIVAL Bumper:

- **make sure all fittings are tightened**
- **check winch operation**
- **check all electrical wiring attached to lights**



Thank you for your choice!

**Sincerely,
RIVAL 4x4 Team**