



FITMENT INSTRUCTIONS

Fitment Instruction - ModCAP Base, Camper / Cabin & Tent Filler Kit

Installation Instructions

Installation and fitment instructions includes the tools required, fasteners included in the kit, and the hardware included in the kit.

Please follow the instructions and check installation steps with the images in this document.

Alu-Cab recommends that all sealing work is allowed to cure for 24 hours, after which you may drive the vehicle on normal paved roads. Before driving off-road with your Alu-Cab product or operating your roof conversion, an additional cure period of 48 hours is required.

Failure to follow these instructions will void your warranty. Please ensure that you follow the sealant manufacturers curing time as per their technical data sheet.

These times may differ slightly from the times we have recommended.

Service Enquiries email
queries@alu-cab.com

Installation Instructions

ModCAP Canopy Camper Fitment

1

How to use this guide

The following guide uses the **CC2-BO-DC** Camper/Cabin to demonstrate fitment.

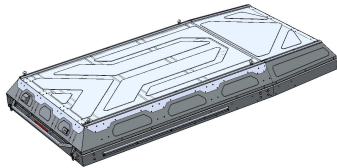
This guide can also be used for the following:

1. CC2-BO-FSL
2. CC2-BO-FSS
3. CC2-BO-XC

There are **3** main items required for this guide:

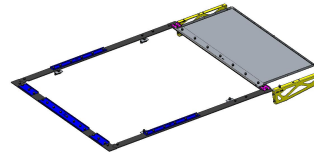
A

MCC2-BO-TENT



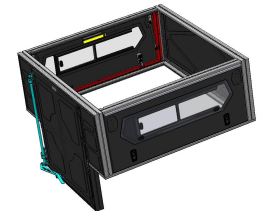
B

CC2-BO-DC-TFM
OR
CC2-BO-FSL-TFM
OR
CC2-BO-FSS-TFM
OR
CC2-BO-XC-TFM



C

CC2-BO-DC-BASE
OR
CC2-BO-FSL-BASE
OR
CC2-BO-FSS-BASE
OR
CC2-BO-XC-BASE



Installation Instructions

ModCAP Canopy Camper/Cabin Fitment

1.1

Tools & Items Required

10mm Ring Spanner/Socket
13mm Ring Spanner/Socket
5mm Allen Key

Items

Turpentine
Cloth
Black sealant, silicone or Sikaflex
Window Cleaner

1.2

1.3

Fasteners Supplied (DC TFM)

ITEM NO.	PART NUMBER	DESCRIPTION	QTY
1	FFW-M8-X	M8x25mm OVERSIZED WASHER S/S - DIN 9021	4
2	HEX-M8x20	M8x20 HEX BOLT S/S	8
3	HEX-M8x25	M8x25 HEX BOLT S/S	49
4	FFW-M8	M8x20mm OVERSIZED WASHER S/S - DIN 9021	16
5	NY-M8	M8 NYLOC NUT S/S	63
6	NCAP-M8	NUT CAP-08mm	67
7	FW-M8	M8x16mm FLAT WASHER S/S - DIN 125	57
8	BHD-M8x20	M8x20 B/HD BOLT S/S	6
9	RIV-4815ASS	SEALED BLIND RIVET	21
10	NUT-M8	M8 HEX NUT S/S	6
11	SW-M8	M8 SPRING WASHER S/S	4
12	BHD-M8x16	M8x16 B/HD BOLT S/S	4

Installation Instructions

ModCAP Canopy Camper/Cabin Fitment

1.4 Fasteners Supplied (FSL TFM)

ITEM NO.	PART NUMBER	DESCRIPTION	QTY
1	FFW-M8-X	M8x25mm OVERSIZED WASHER S/S - DIN 9021	6
2	HEX-M8x20	M8x20 HEX BOLT S/S	12
3	HEX-M8x25	M8x25 HEX BOLT S/S	55
4	FFW-M8	M8x20mm OVERSIZED WASHER S/S - DIN 9021	18
5	NY-M8	M8 NYLOC NUT S/S	67
6	NCAP-M8	NUT CAP-08mm	73
7	FW-M8	M8x16mm FLAT WASHER S/S - DIN 125	49
8	RIV-4815ASS	SEALED BLIND RIVET	13

1.5 Fasteners Supplied (FSS TFM)

ITEM NO.	PART NUMBER	DESCRIPTION	QTY
1	FFW-M8-X	M8x25mm OVERSIZED WASHER S/S - DIN 9021	6
2	HEX-M8x20	M8x20 HEX BOLT S/S	12
3	HEX-M8x25	M8x25 HEX BOLT S/S	53
4	FFW-M8	M8x20mm OVERSIZED WASHER S/S - DIN 9021	26
5	NY-M8	M8 NYLOC NUT S/S	69
6	NCAP-M8	NUT CAP-08mm	79
7	BHD-M8x16	M8x16 B/HD BOLT S/S	4
8	SW-M8	M8 SPRING WASHER S/S	4
9	FW-M8	M8x16mm FLAT WASHER S/S - DIN 125	51
10	NUT-M8	M8 HEX NUT S/S	4
11	BHD-M8x20	M8x20 B/HD BOLT S/S	4
12	RIV-4815ASS	SEALED BLIND RIVET	17

1.6 Fasteners Supplied (XC TFM)

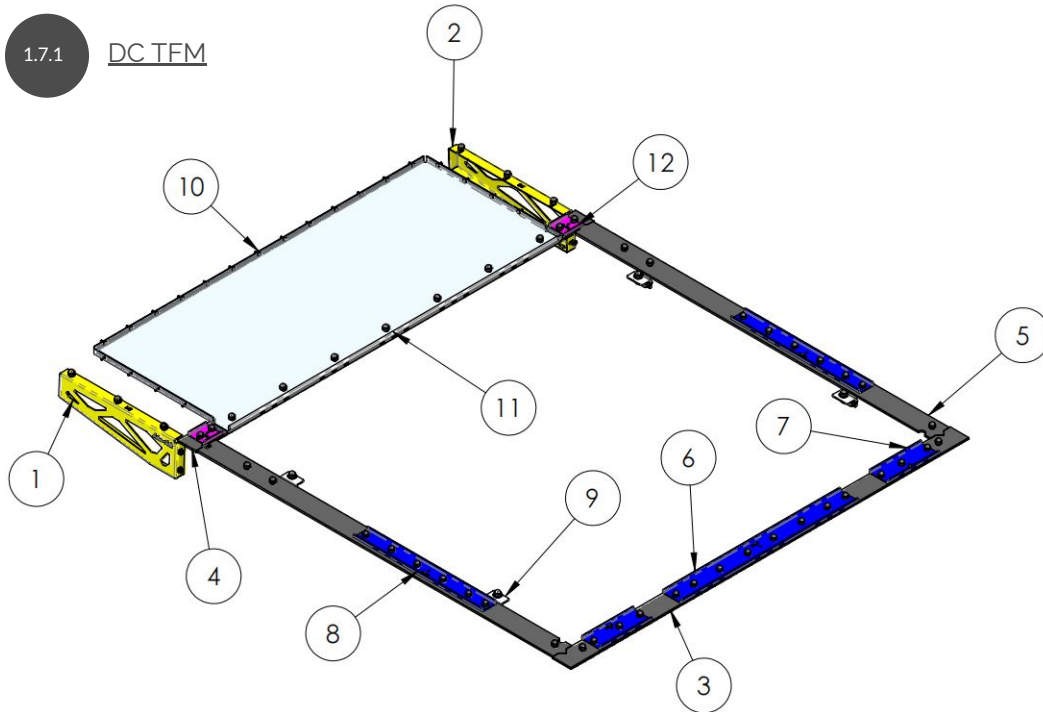
ITEM NO.	PART NUMBER	DESCRIPTION	QTY
1	HEX-M8x25	M8x25 HEX BOLT S/S	55
2	FW-M8	M8x16mm FLAT WASHER S/S - DIN 125	49
3	NY-M8	M8 NYLOC NUT S/S	67
4	NCAP-M8	NUT CAP-08mm	73
5	FFW-M8-X	M8x25mm OVERSIZED WASHER S/S - DIN 9021	6
6	HEX-M8x20	M8x20 HEX BOLT S/S	12
7	FFW-M8	M8x20mm OVERSIZED WASHER S/S - DIN 9021	18
8	RIV-4815ASS	SEALED BLIND RIVET	15

Installation Instructions

ModCAP Canopy Camper/Cabin Fitment

1.7.1

DC TFM

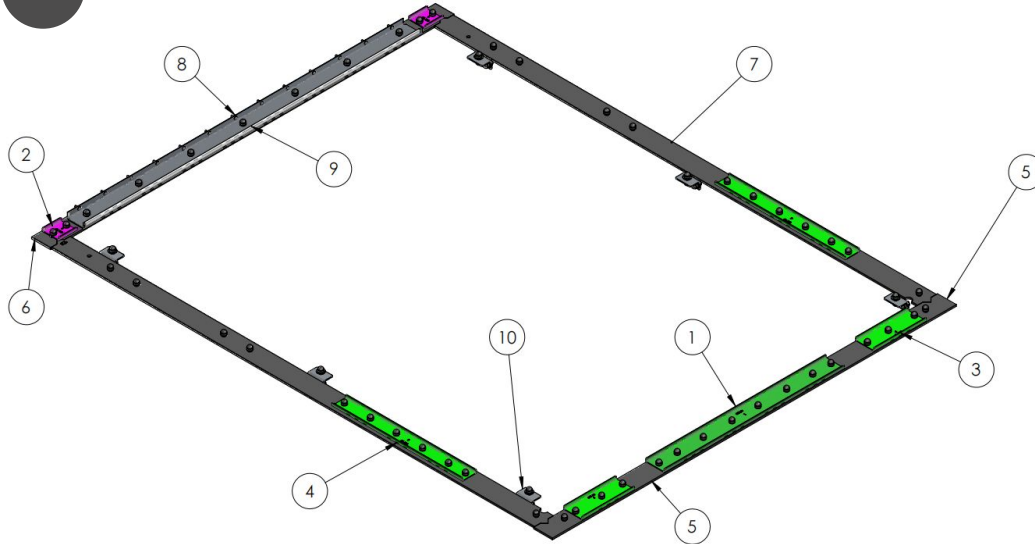


ITEM NO.	PART NUMBER	DESCRIPTION	QTY
1	162-DC-REIN-BRKT-01	REINFORCEMENT BRACKET	1
2	162-DC-REIN-BRKT-02	REINFORCEMENT BRACKET	1
3	CC-BO-BASE-R001	CC BO REAR RUBBER SEAL	1
4	CC-BO-BASE-R002	CC BO FRONT RUBBER SEAL	1
5	CC-BO-BASE-DC-R003	CC BO DC SIDE RUBBER SEAL	2
6	CC-BO-BASE-P001	CC BO REAR CLAMP PLATE 01	1
7	CC-BO-BASE-P005	CC BO CLAMP PLATE 05	2
8	CC-BO-BASE-P006	CC BO SIDE CLAMP PLATE 06	2
9	CC-BO-BASE-P007	CC BO CENTRE MOUNTING ANGLE	4
10	CC2-BO-DC-TENT-FLR-P001	CC2 BO DC TENT FILLER PANEL	1
11	CC-BO-RUB-P-1277mm	RUB-P - 1277mm	1
12	CC-BO-BASE-P003	CC BO CLAMP PLATE 03	2

Installation Instructions

ModCAP Canopy Camper/Cabin Fitment

1.7.2 FSL TFM



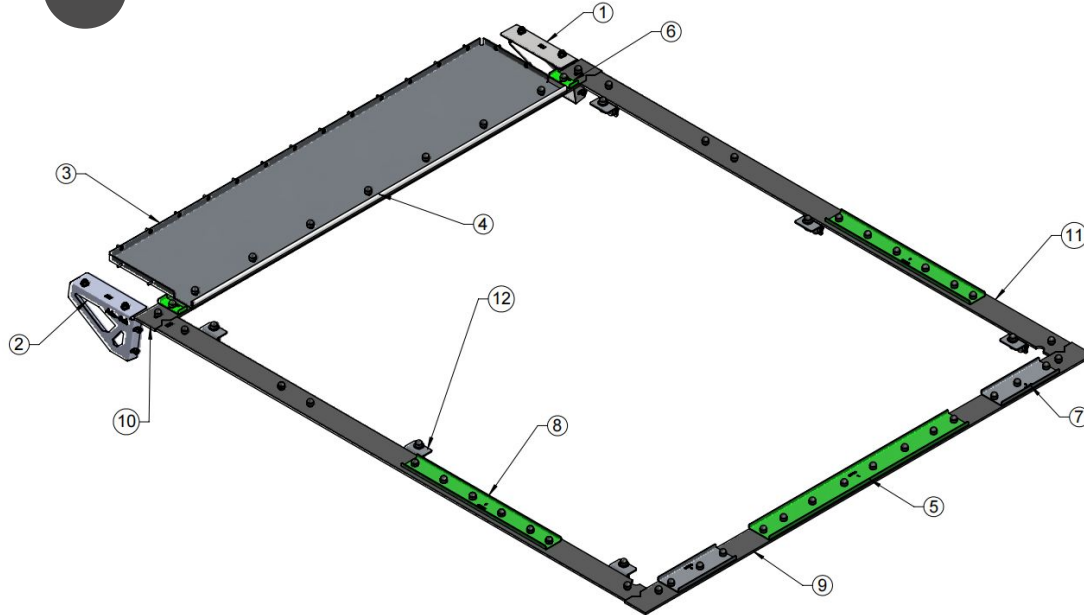
ITEM NO.	PART NUMBER	DESCRIPTION	QTY
1	CC-BO-BASE-P001	CC BO REAR CLAMP PLATE 01	1
2	CC-BO-BASE-P003	CC BO CLAMP PLATE 03	2
3	CC-BO-BASE-P005	CC BO CLAMP PLATE 05	2
4	CC-BO-BASE-P006	CC BO SIDE CLAMP PLATE 06	2
5	CC-BO-BASE-R001	CC BO REAR RUBBER SEAL	1
6	CC-BO-BASE-R002	CC BO FRONT RUBBER SEAL	1
7	CC-BO-BASE-FSL-R003	CC BO SIDE RUBBER SEAL	2
8	CC2-BO-FSL-TENT-FLR-P001	CC2 BO FSL TENT FILLER	1
9	CC-BO-RUB-P-1287mm	RUB-P - 1277mm	1
10	CC-BO-BASE-P007	CC BO CENTRE MOUNTING ANGLE	6

Installation Instructions

ModCAP Canopy Camper/Cabin Fitment

1.7.3

FSS TFM

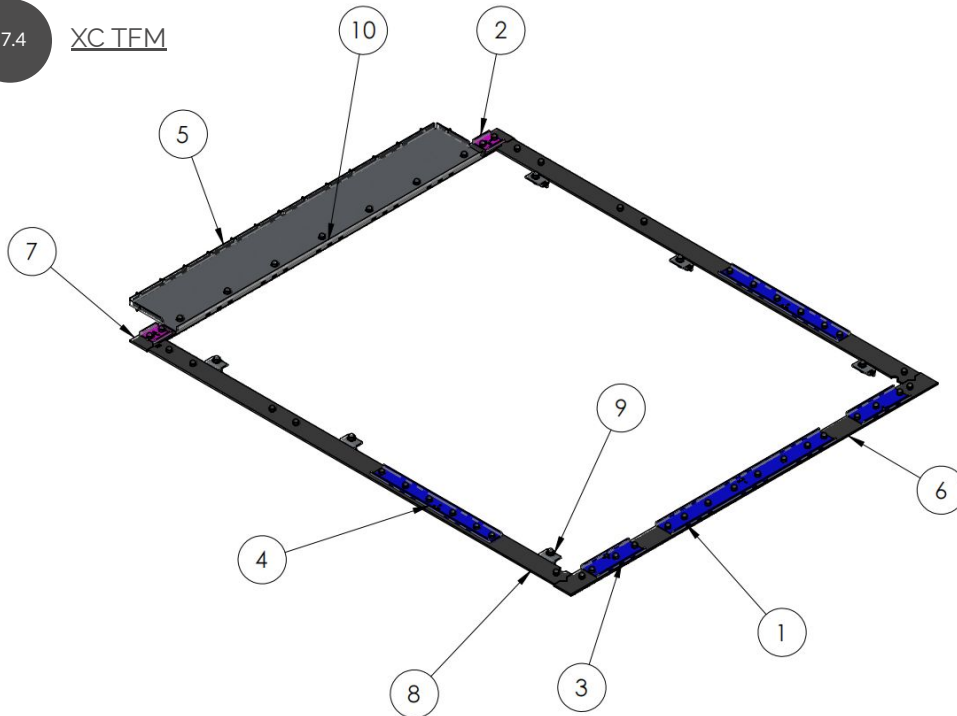


ITEM NO.	PART NUMBER	DESCRIPTION	QTY
1	165-55-FS-REIN-BRKT-RH-01	REINFORCEMENT BRACKET RH	1
2	165-55-FS-REIN-BRKT-LH-01	REINFORCEMENT BRACKET LH	1
3	CC2-BO-FSS-TENT-FLR-P001	CC2 BO FSS TENT FILLER	1
4	CC2-BO-FSS-BASE-RUB-P - (1295mm)	PINCHWELD RUBBER	1
5	CC-BO-BASE-P001	CC BO REAR CLAMP PLATE 01	1
6	CC-BO-BASE-P004	CC BO CLAMP PLATE 04	2
7	CC-BO-BASE-P005	CC BO CLAMP PLATE 05	2
8	CC-BO-BASE-P006	CC BO SIDE CLAMP PLATE 06	2
9	CC-BO-BASE-R001	CC BO REAR RUBBER SEAL	1
10	CC-BO-BASE-R002	CC BO FRONT RUBBER SEAL	1
11	CC-BO-BASE-FSS-R003	CC BO SIDE RUBBER SEAL	2
12	CC-BO-BASE-P007	CC BO CENTRE MOUNTING ANGLE	6

Installation Instructions

ModCAP Canopy Camper/Cabin Fitment

1.7.4 XC TFM



ITEM NO.	PART NUMBER	DESCRIPTION	QTY
1	CC-BO-BASE-P001	CC BO REAR CLAMP PLATE 01	1
2	CC-BO-BASE-P003	CC BO CLAMP PLATE 03	2
3	CC-BO-BASE-P005	CC BO CLAMP PLATE 05	2
4	CC-BO-BASE-P006	CC BO SIDE CLAMP PLATE 06	2
5	CC2-BO-XC-TENT-FLR-P001	CC2 BO XC TENT FILLER PANEL	1
6	CC-BO-BASE-R001	CC BO REAR RUBBER SEAL	1
7	CC-BO-BASE-R002	CC BO FRONT RUBBER SEAL	1
8	CC-BO-BASE-XC-R003	CC-BO-BASE-XC-R003	2
9	CC-BO-BASE-P007	CC BO CENTRE MOUNTING ANGLE	6
10	CC-BO-RUB-P-1277mm	RUB-P - 1277mm	1

Installation Instructions

2

Inspect Tent Filler Mounting (TFM):

Inspect TFM and supplied Rubber, ensure all rubbers are correct and match according to its color code (See rubber matrix)

Rubber Matrix

CC BO DC SIDERUBBER SEAL

CC BO XC SIDERUBBER SEAL

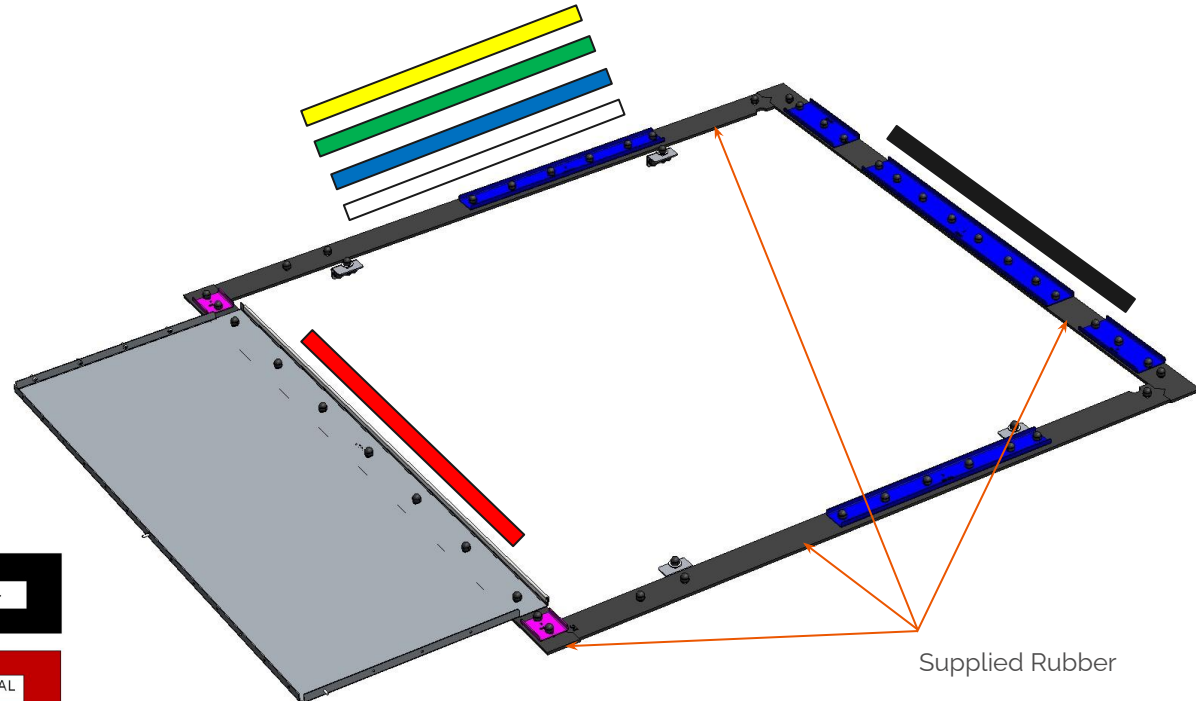
CC BO FSL SIDERUBBER SEAL

CC BO FSS SIDERUBBER SEAL

Universal front & rear rubbers

CC BO REAR RUBBER SEAL

CC BO FRONT RUBBER SEAL



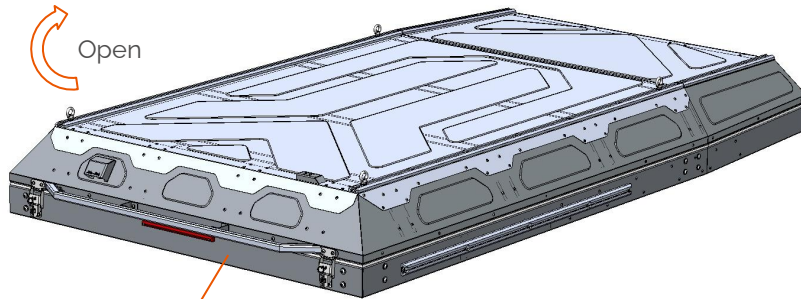
Supplied Rubber

Installation Instructions

3

Tent/TFM Positioning:

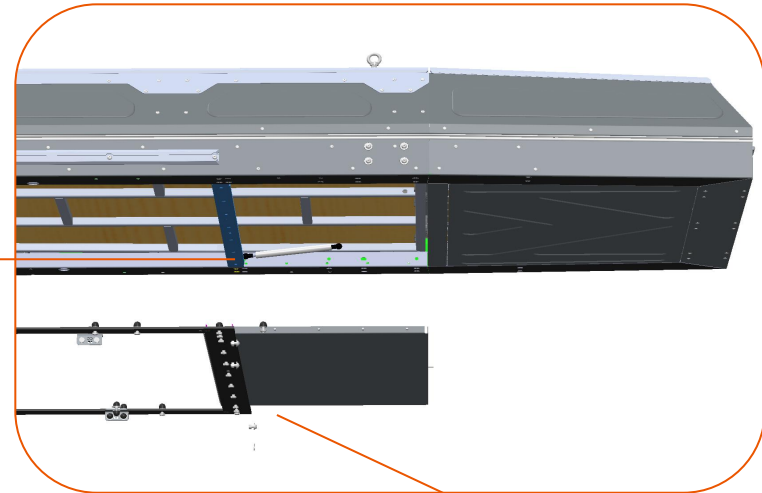
Open the tent and place it on it's base.



Tent (CC2-BO-TENT)

Support bar
(CC-BO-BASE-P002)

Move support bar (supplied with tent - see CC2-BO-TENT) to the correct position.

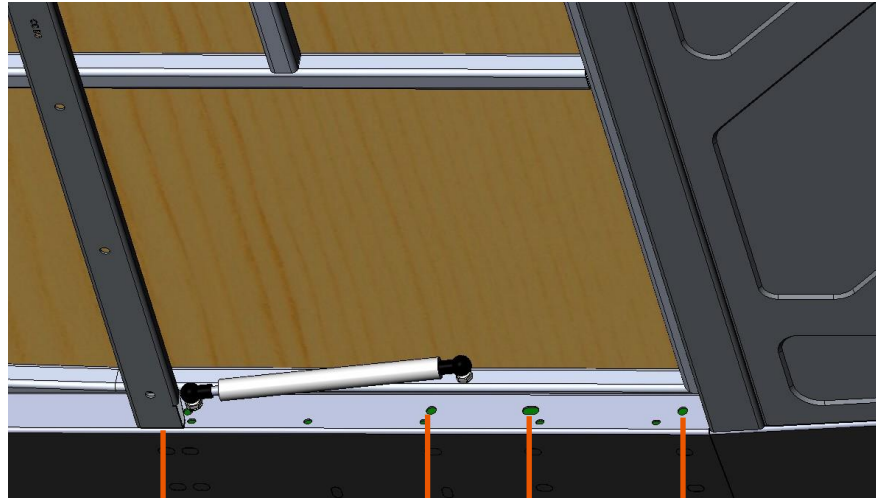


Support bar and **Tent Filler Panel** should align.

Installation Instructions

3.1 Tent/TFM Positioning:

Support bar specific positioning.



DC Position

FSS Position

XC Position

FSL Position

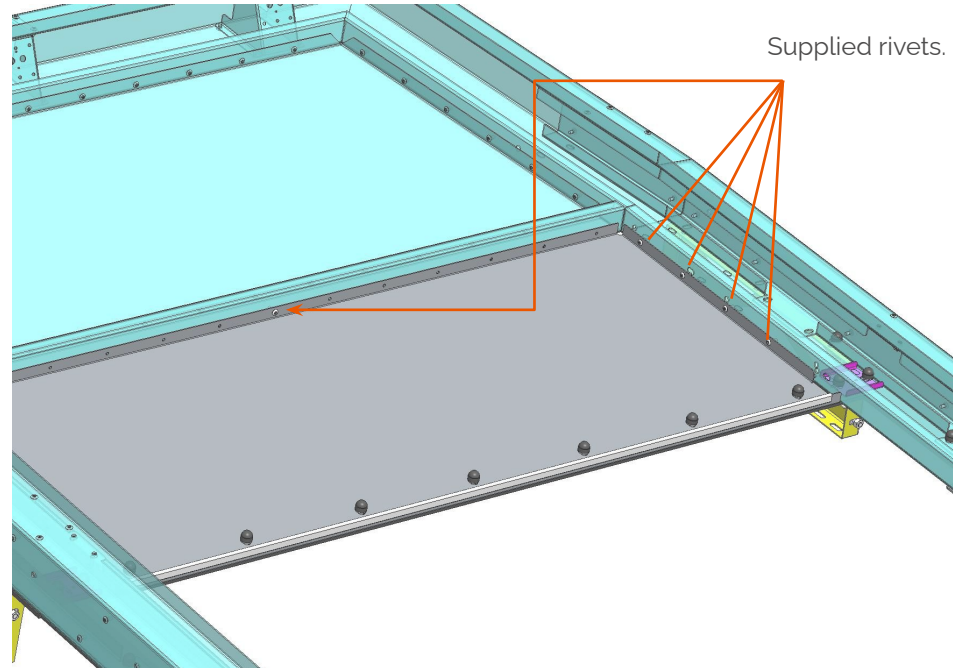
Installation Instructions

4 TFM fitment:

Fit the **Tent filler panel** using the supplied sealed blind rivets (RIV-4815ASS)

Rivet QTY per TFM spec:

1. DC = x21
2. FSL = x13
3. FSS = x17
4. XC = x15

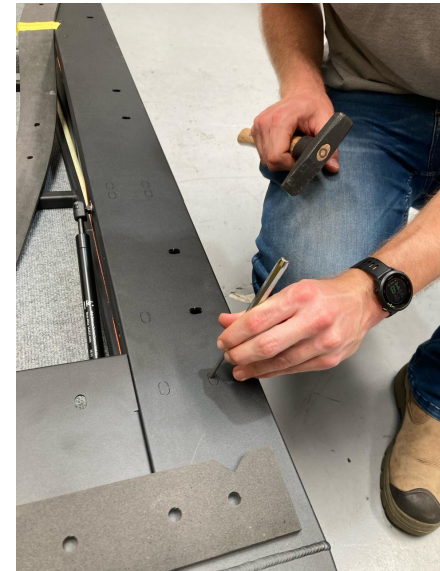
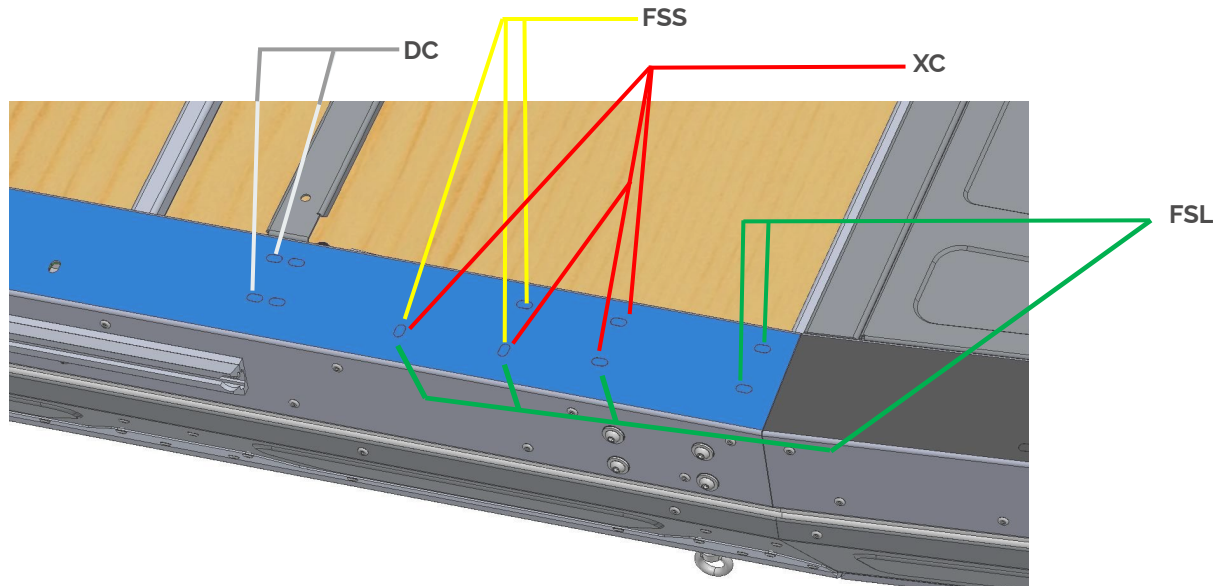


Installation Instructions

5

Base Preparation:

- 1) Flip the tent onto it's lid.
- 2) Lay the rubbers out and remove knockouts in the base as needed to match the supplied rubbers (the rubbers as part of the TFM being used).

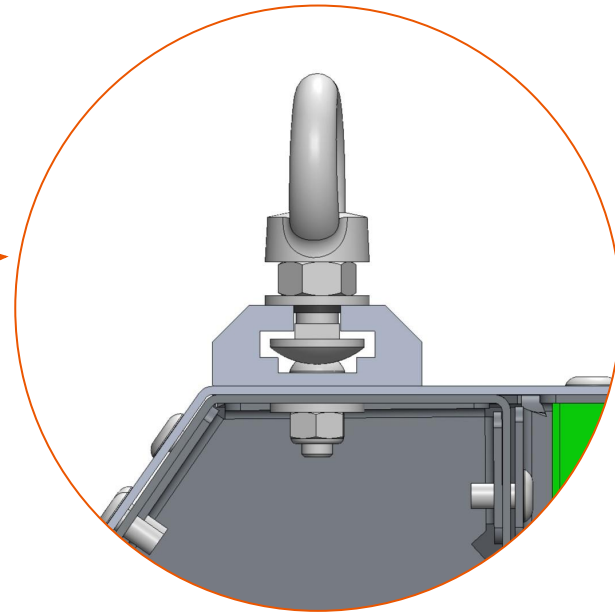
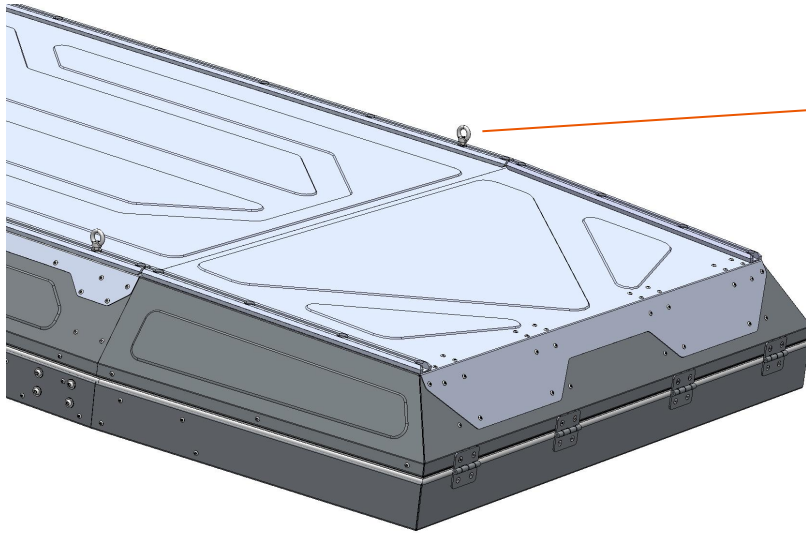


Installation Instructions

6

Eye nuts and cup squares:

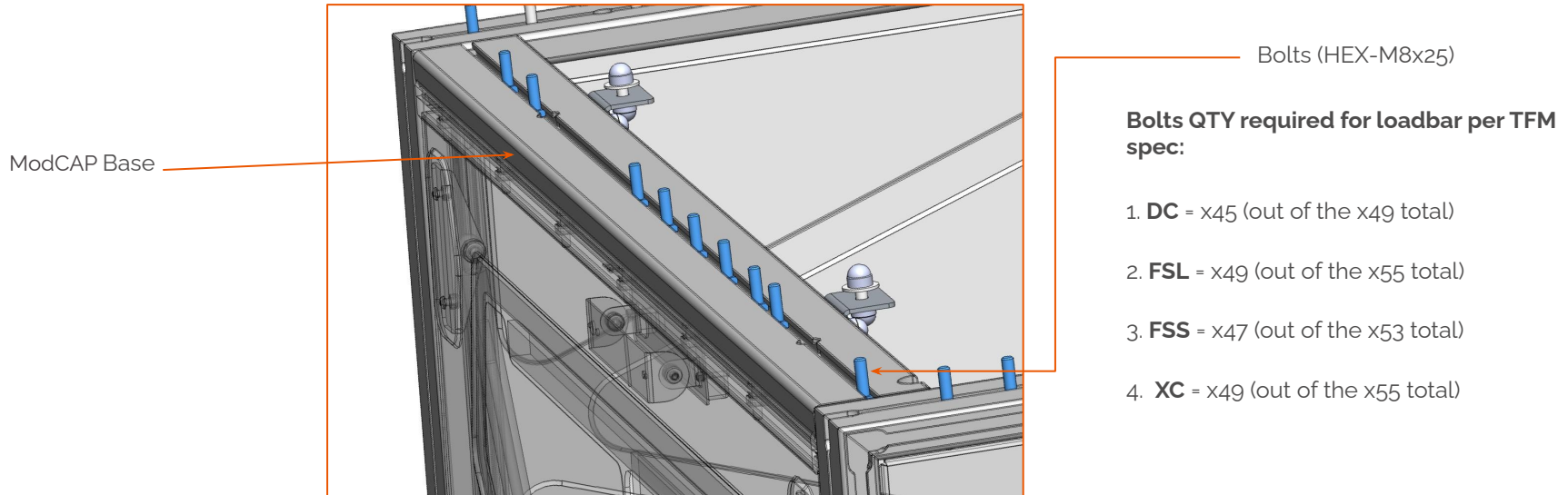
Flip the tent over and slide eye nuts, cup squares into cargo rails.



Installation Instructions

7 Base Preparation:

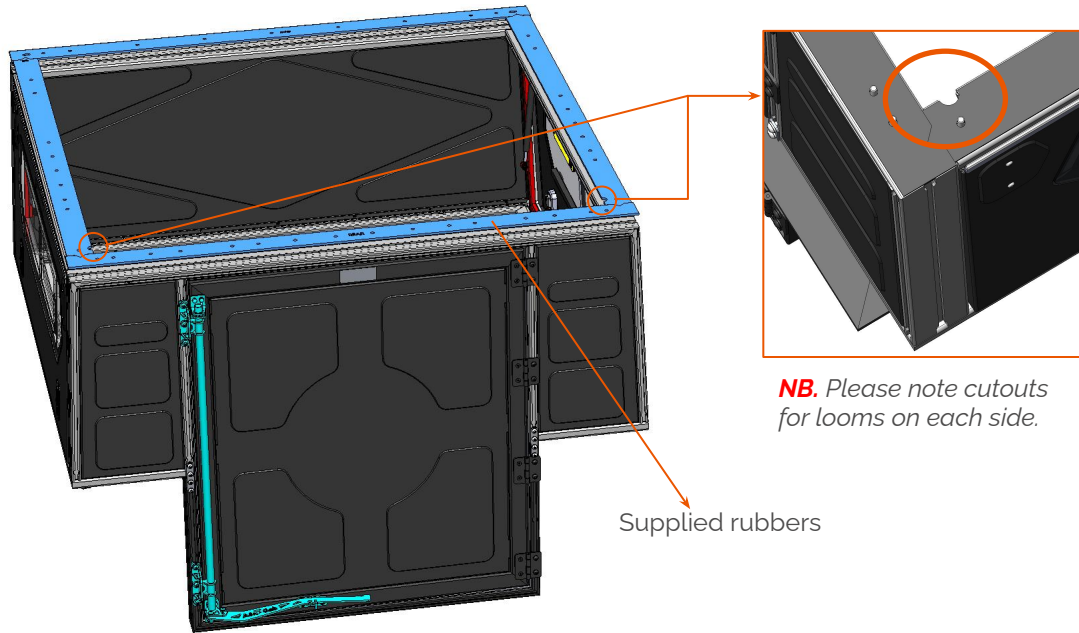
Prep the base by sliding bolts into the top nut slot of the load bar (Bolt amount is determined by cutouts in rubbers).



Installation Instructions

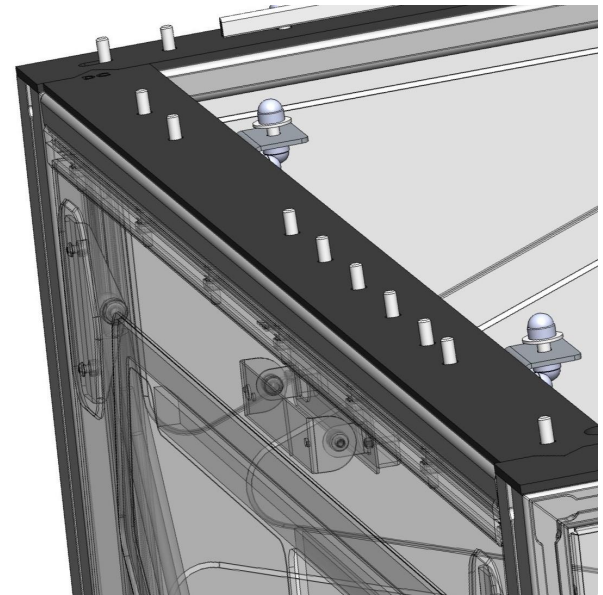
8 Bolts & Rubbers:

1. Lay the supplied rubbers out.



NB. Please note cutouts for looms on each side.

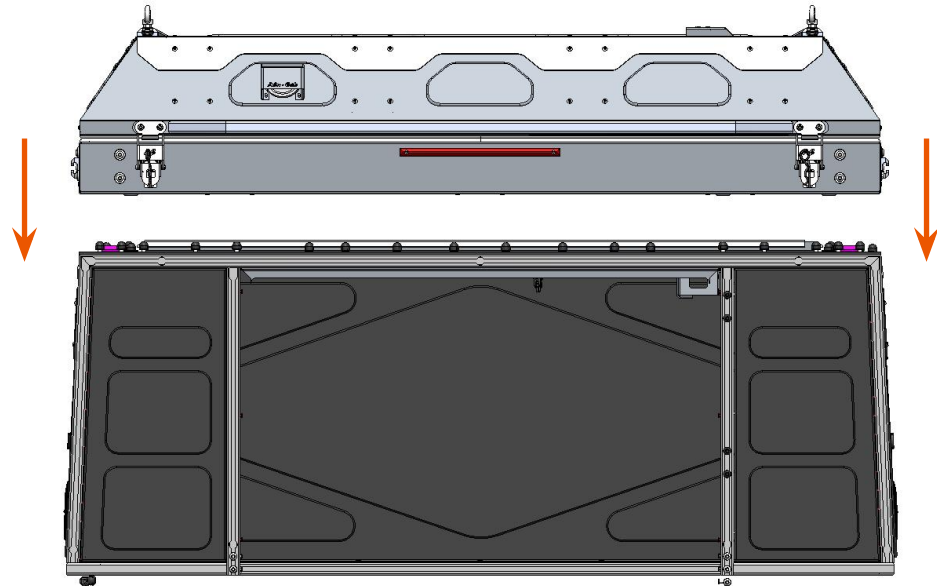
2. Slide bolts in nut slot to match cutouts in rubbers.



Installation Instructions

9 Camper/Cabin + Base attachment:

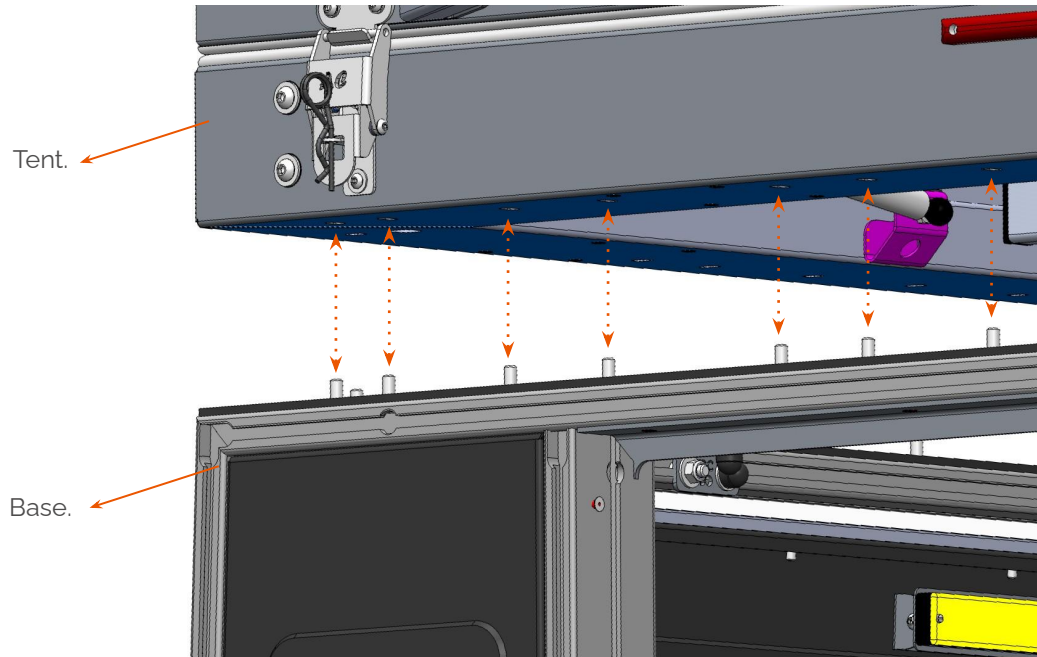
Lift tent using a Gantry or similar device and lower it onto the ModCAP base.



Installation Instructions

9.1 Tent + Base attachment:

Shift tent until all bolts align. **Warning** there is a chance for pinching to occur here. Use a spanner or similar tool to realign any bolts that are not falling on the holes in the tent base.



1. Lower tent and align bolts.

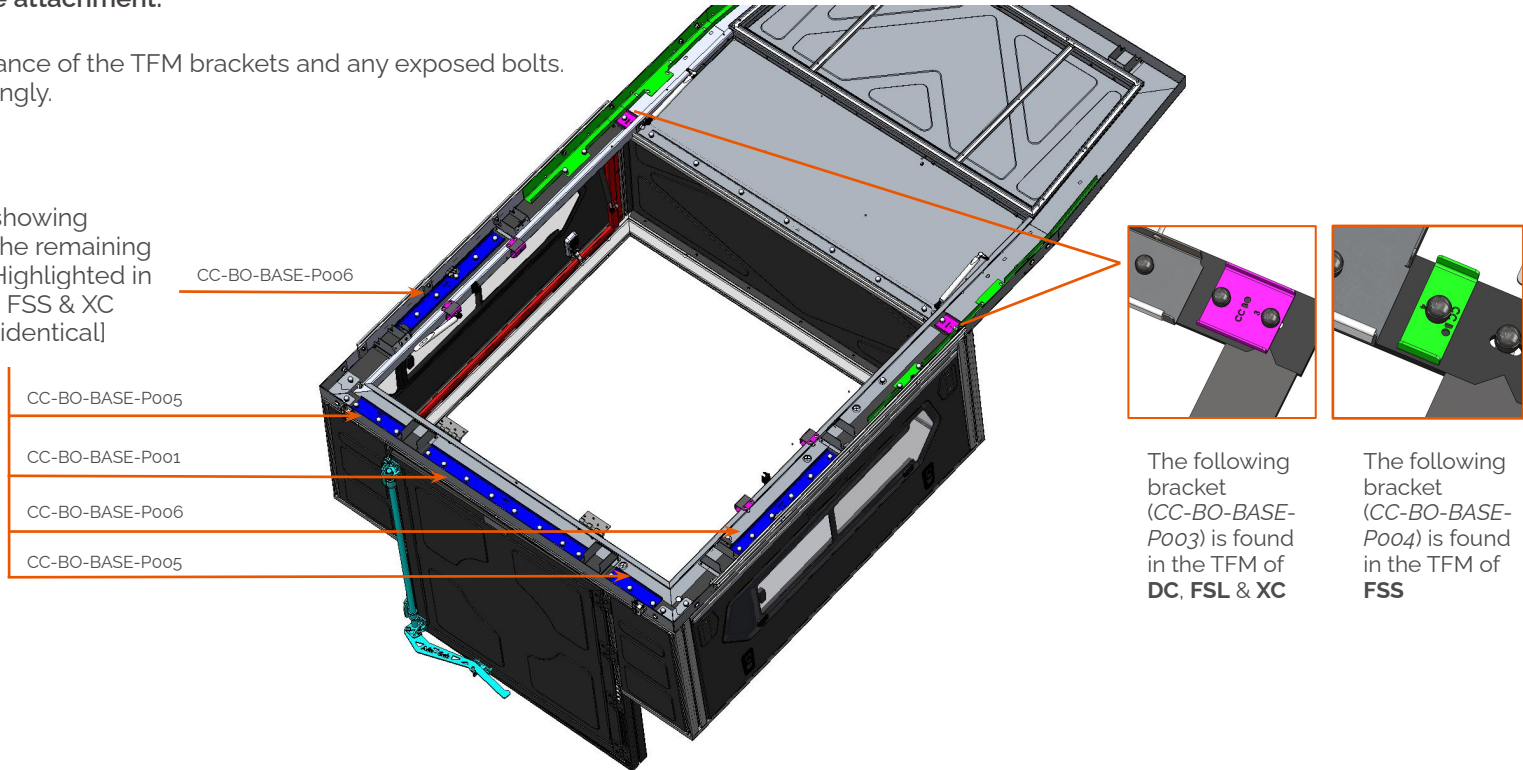
2. Do a final alignment check that the tent and camper base are in straight.

Installation Instructions

9.2 Tent + Base attachment:

Fit the balance of the TFM brackets and any exposed bolts.
 Fit accordingly.

Sectional view showing placements of the remaining TFM brackets (Highlighted in **blue**). [DC, FSL, FSS & XC brackets are all identical]



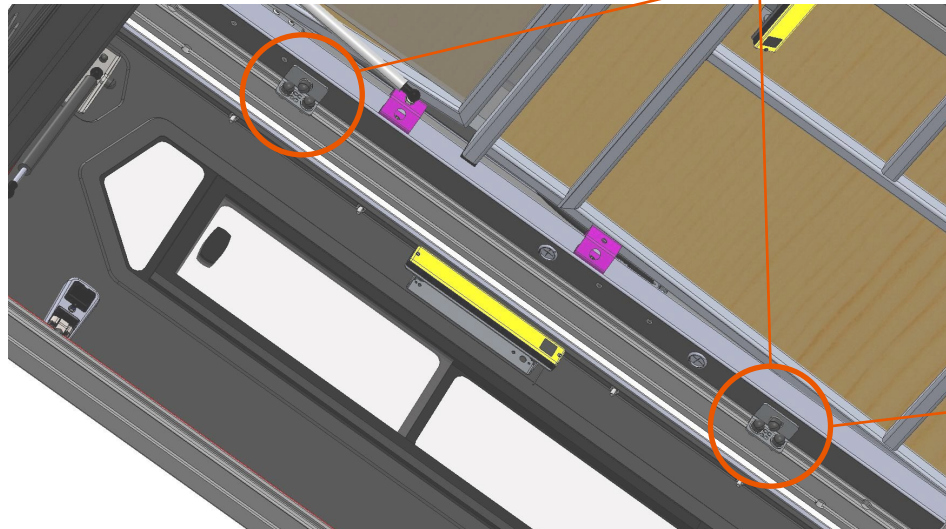
The following bracket (CC-BO-BASE-P003) is found in the TFM of **DC, FSL & XC**

The following bracket (CC-BO-BASE-P004) is found in the TFM of **FSS**

Installation Instructions

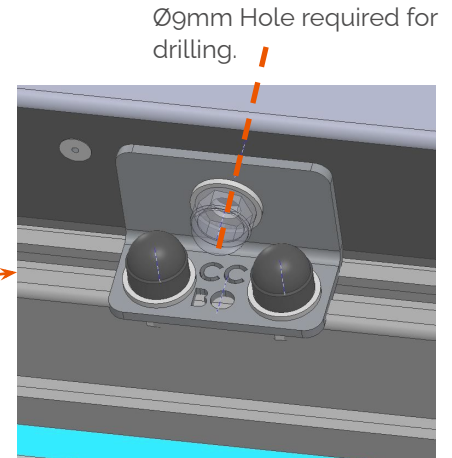
9.3 Tent + Base attachment:

Attach the internal brackets (**CC-BO-BASE-P007**) included with the TFM and drill out the holes in the tent as required (The centre hole in the bracket).



Brackets on each side (Left & Right sides):

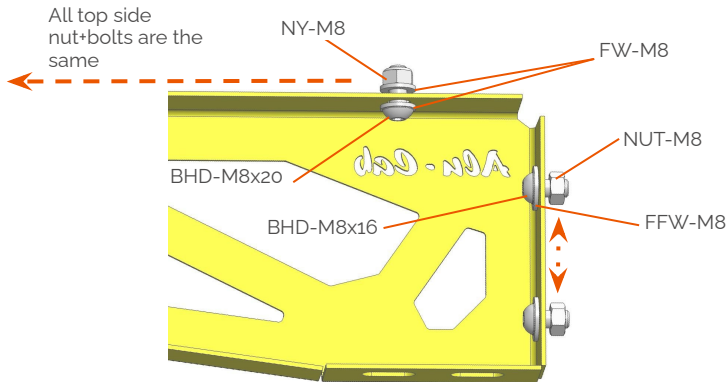
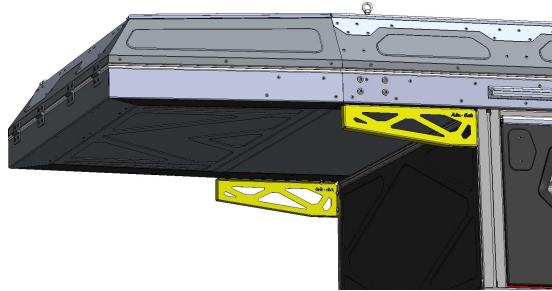
1. CC2-BO-**DC**-TFM = 2 per side
2. CC2-BO-**FSL**-TFM = 3 per side
3. CC2-BO-**FSS**-TFM = 3 per side
4. CC2-BO-**XC**-TFM = 3 per side



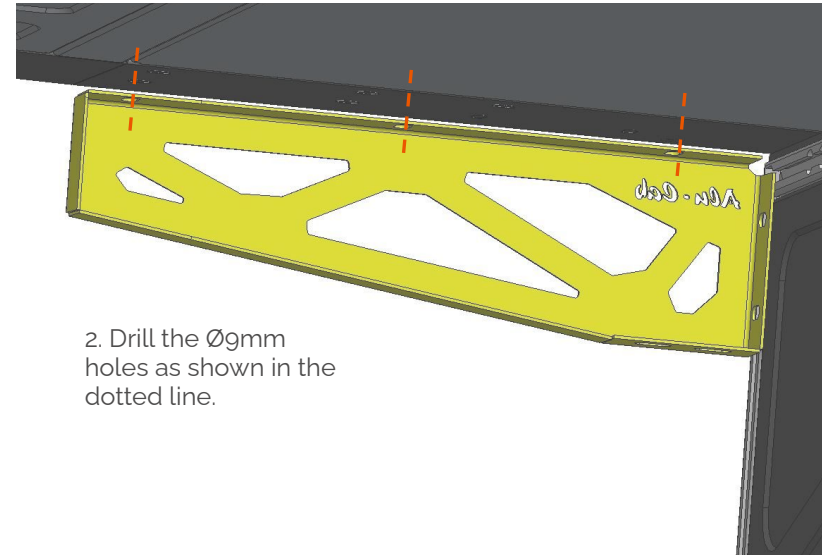
Installation Instructions

10 DC and FSS specified brackets

For DC and FSS specifically there are support brackets (highlighted in yellow) that fit to the front of camper.



1. Dry fit the brackets in the front of camper (slide nuts and use bolts in the base without fastening yet) and markout the position in the tent base for where they need to be drilled.

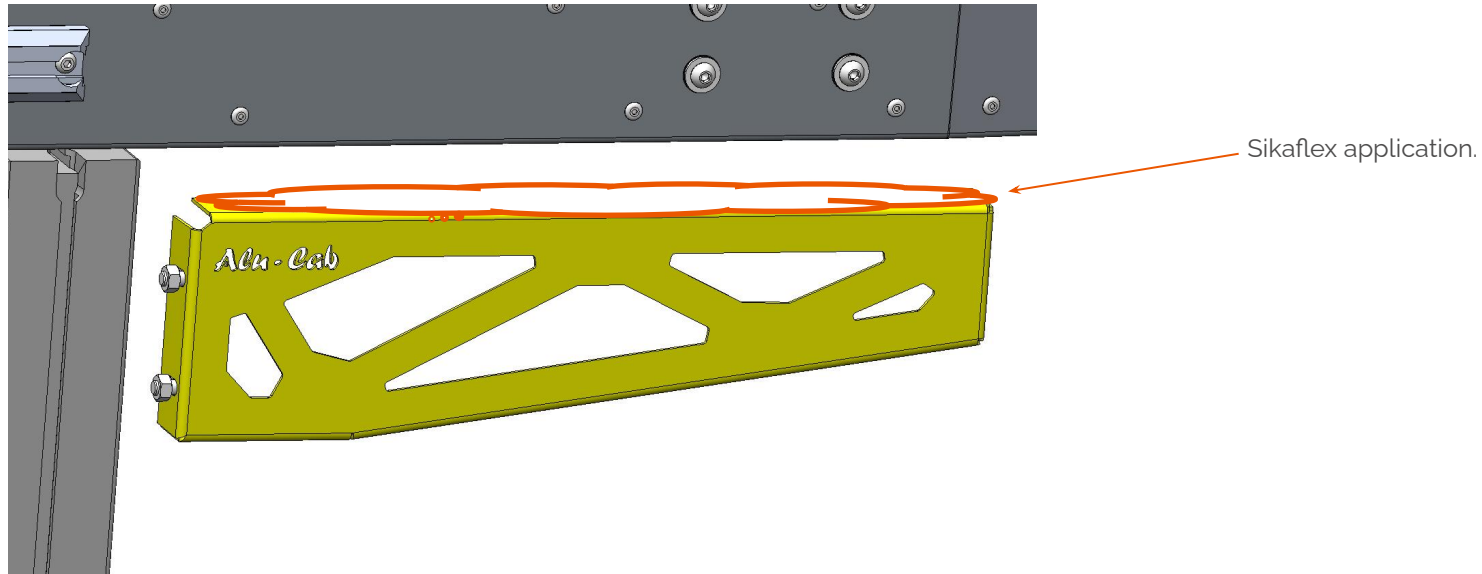


2. Drill the $\varnothing 9$ mm holes as shown in the dotted line.

Installation Instructions

10.1 DC and FSS specified brackets

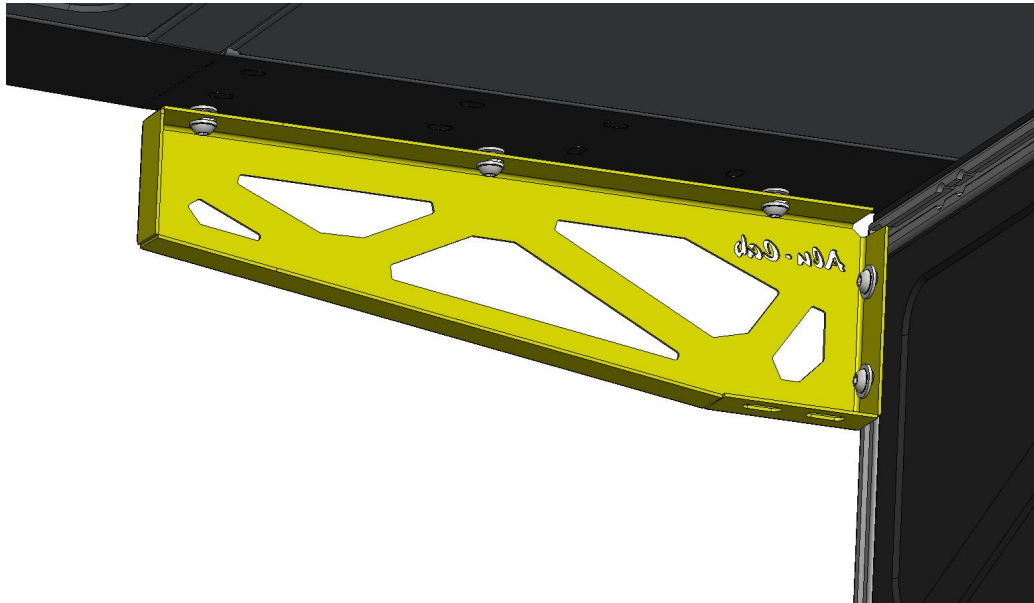
Apply Sikaflex to the top of the bracket as shown in diagram.



Installation Instructions

10.2 DC and FSS specified brackets

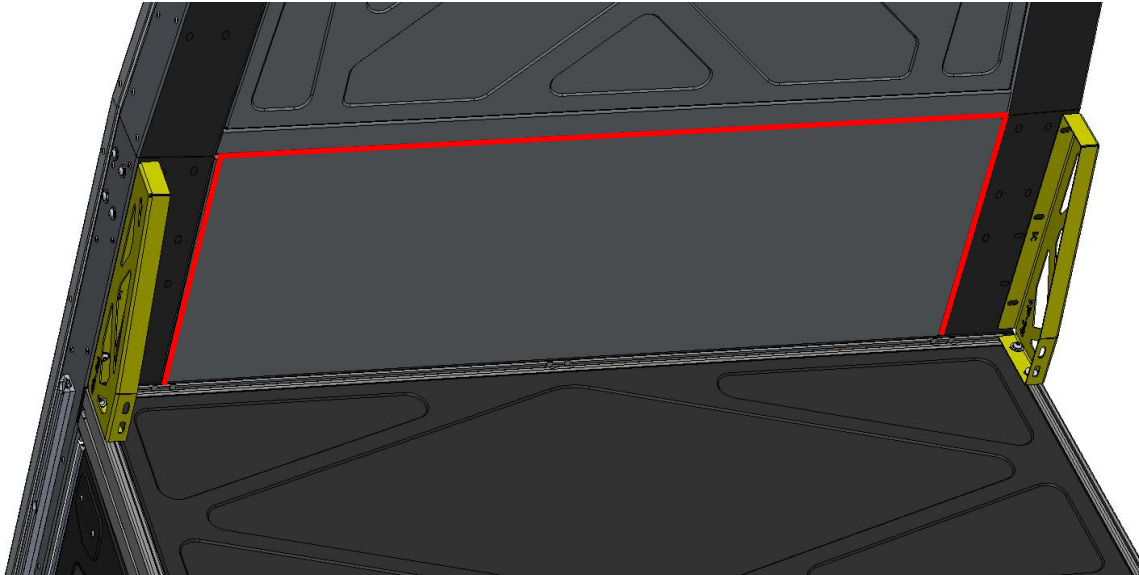
Slide bolts through and fasten it down.



Installation Instructions

11 Sealing and Finishing

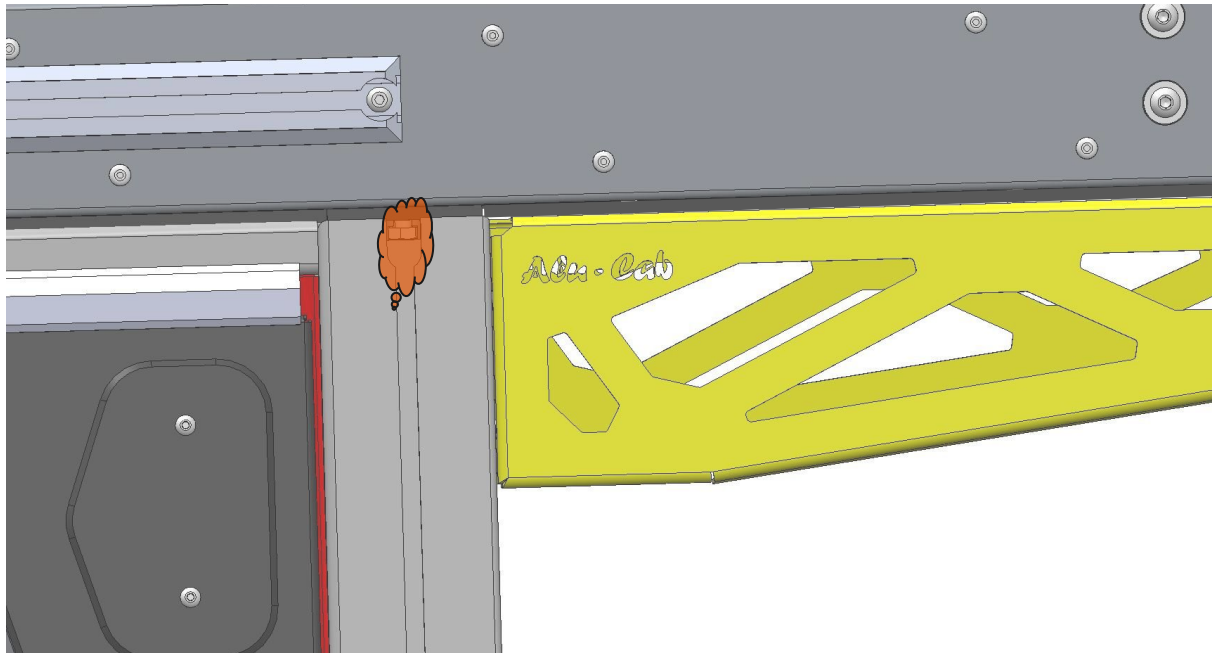
If the Tent filler panel is extended (as **DC** and **FSS**) then Seal the underside of the Tent Filler panel at the 3 sides shown below. See **red marking**.



Installation Instructions

11.1 Sealing and Finishing

Seal the Camper/Cabin base in the corners on each side, as shown below.



Installation Instructions

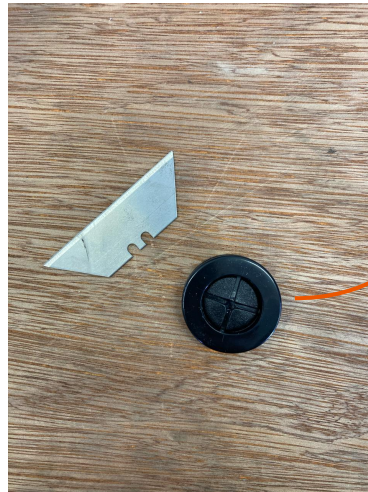
12 Loom installation

Instructions on how to install the Loom.

1. Locate the connector fitted to the side door LEDs.



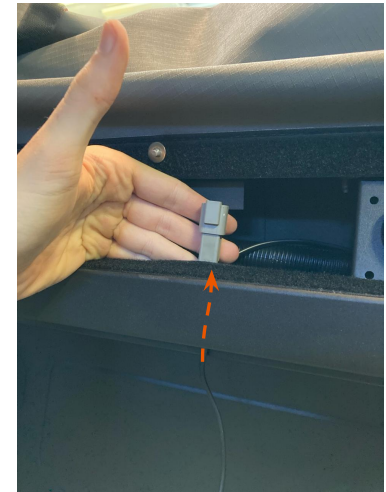
2. Cut the supplied grommet open.



3. Install the supplied grommet into the base of the ModCAP Camper sheet metal.



4. Push the connector through the grommet.

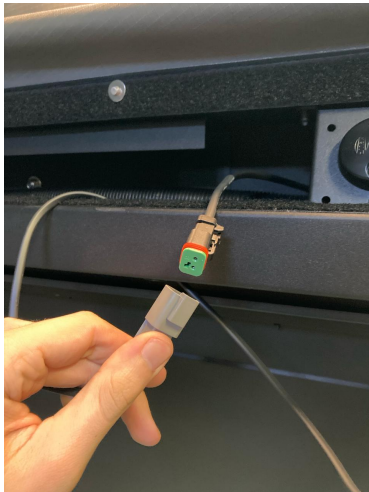


Installation Instructions

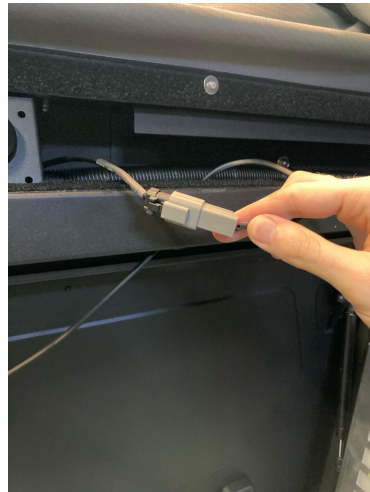
12 Loom installation

Instructions on how to install the Loom.

5. Connect the male and female connectors together.



6. Repeat on LHS and RHS doors, as well as rear door.



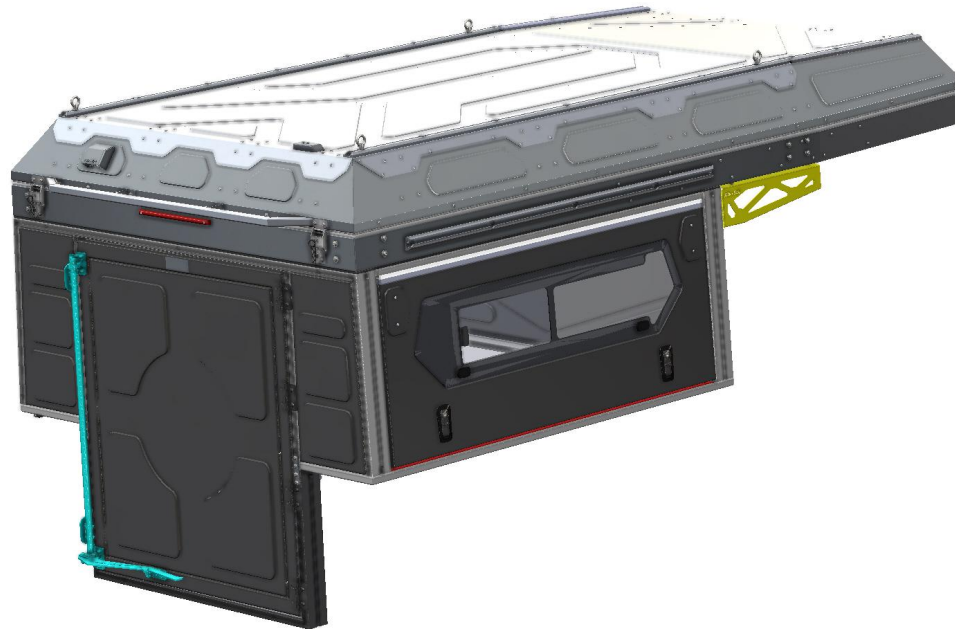
7. Tuck loom into tent cavity and reinstall canvas.



Installation Instructions

13 Complete and ready to fit.

Your ModCAP Camper is now ready to fit to your vehicle. Follow the standard canopy camper mount and filler instructions to complete your vehicle specific installation.



Disclaimer

All rights reserved. No part of this website may be reproduced, translated, stored in a retrieval system, or transmitted, in any form or by any means, electronic, mechanical, photocopying, recording or otherwise, without prior written permission of the owner.

Review all instructions information carefully before installation.

Any damages, direct or incidental to the installer and/or property due to incorrect installation of any parts are the responsibility of the installer. Due to the various applications and fitment options available, the responsibility lies with the user to ensure all mounting points are secure and tight before every trip.

If unsure, consult with your Distributor regarding the operations of our products.

Users are advised to be mindful of the load they are carrying and drive in accordance with road conditions.

WARNING

Always wear appropriate PPE (Personal protection equipment) when fitting our products. Although the mounting kit is designed to be DIY, if you have any doubts or concerns, contact an accredited fitment centre to carry out the work. Alu-Cab will not be liable for any injury to persons, and/or damage to products and/or vehicles.

While Alu-Cab Holdings takes reasonable measures to ensure that the contents of this Website are accurate and complete, Alu-Cab Holdings makes no representations or warranties, whether express or implied, as to the quality, timeliness, operation, integrity, availability or functionality of this Website or as to the accuracy, completeness or reliability of any information on this Website. Alu-Cab Holdings reserves the right to make changes, corrections and/or improvements to the information and to the products and programs described in such information, at any time without notice.

Alu-Cab Holdings will use reasonable endeavours to maintain the availability of the Website, except during scheduled maintenance periods, and reserves the right to discontinue providing the Website or the service or any part thereof with or without notice to you. Any person who accesses this Website or relies on this Website or on the information contained in this Website does so at his or her own risk.

Occasionally, at our discretion, we may include or offer third-party products or services on our website. These third-party sites have separate and independent privacy policies. We therefore have no responsibility or liability for the content and activities of these linked sites. Nonetheless, we seek to protect the integrity of our site and welcome any feedback about these sites.