




OVERLAND SERIES INSTRUCTIONS

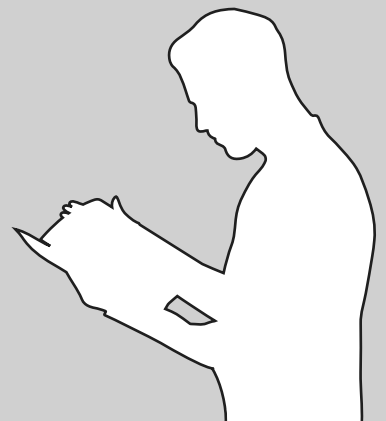
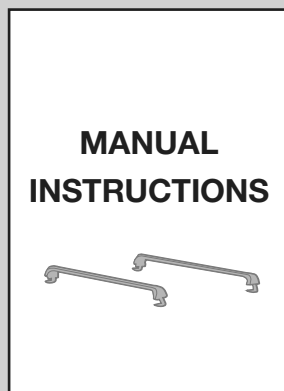
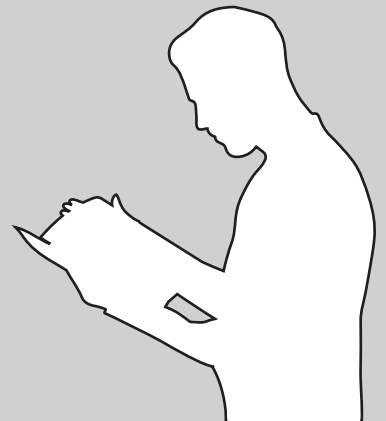
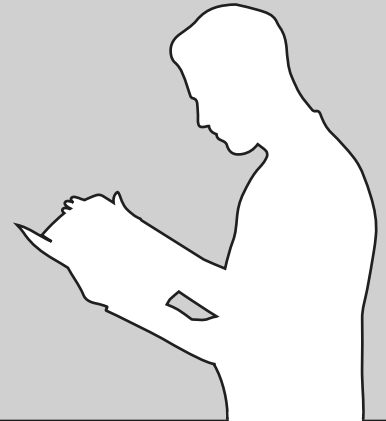


WARNINGS

Avvertenze • Avertissement • Warnungen



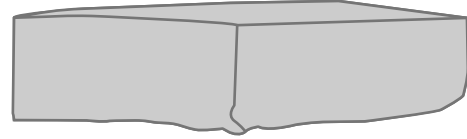
MODELS <i>Modelle</i> <i>Modèles</i> <i>Modelli</i>	TENT WEIGHT <i>Zeltgewicht</i> <i>Poids de la tente</i> <i>Peso della tenda</i>	MAXIMUM OCCUPANTS WEIGHT <i>Maximales Bewohnergewicht</i> <i>Poids Maximum des occupants</i> <i>Peso massimo degli occupanti</i>	MEASURES WHEN CLOSE <i>Abmessungen bei geschlossenem Zelt</i> <i>Dimensions (tente fermée)</i> <i>Misure chiusa</i>	MEASURES WHEN OPEN <i>Abmessungen bei offenem Zelt</i> <i>Dimensions (tente ouverte)</i> <i>Misure aperta</i>
<i>Overland Small</i> <i>Overland Medium</i> <i>Overland Large</i>	<i>ca. 45 kg</i> <i>ca. 54 kg</i> <i>ca. 65 kg</i>	 <i>ca. 180 kg</i>  <i>ca. 230 kg</i>  <i>ca. 280 kg</i>	<i>130x110x35 cm</i> <i>160x110x35 cm</i> <i>180x110x35 cm</i>	<i>130x220x125cm</i> <i>160x220x125 cm</i> <i>180x220x125 cm</i>



Kg P1



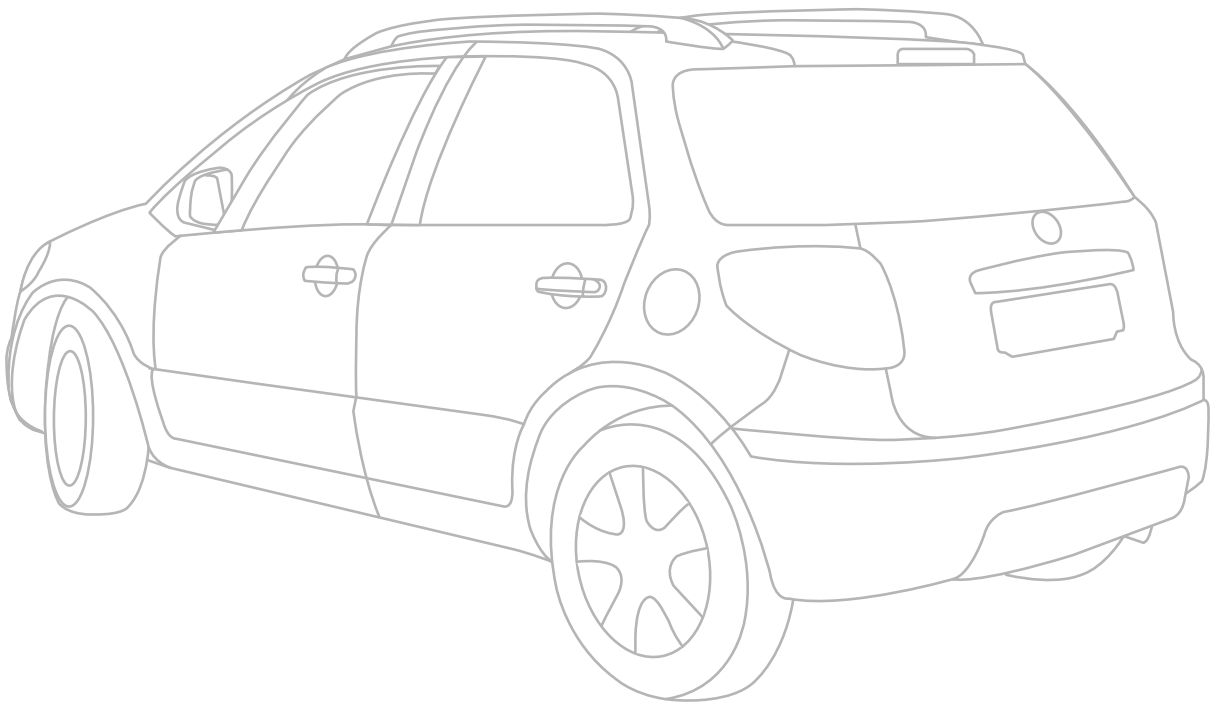
Kg P2

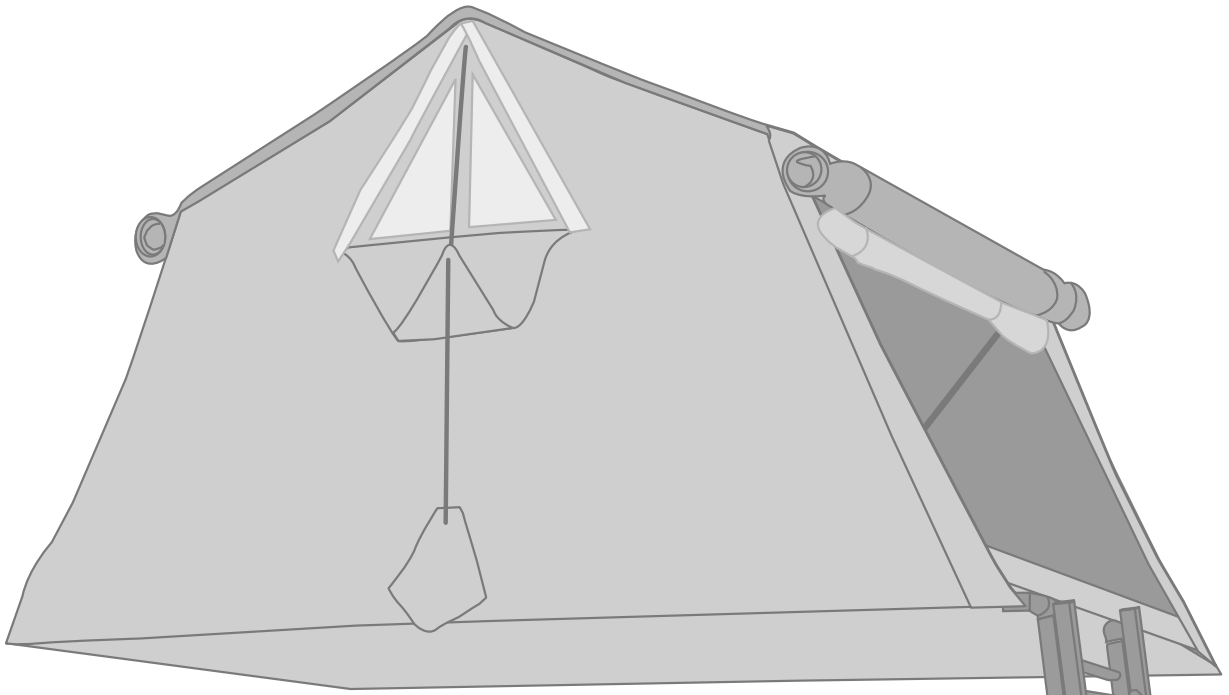


(P1 + P2) ≤ Kg P_{MAX}



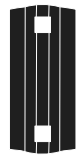
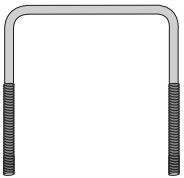
Kg P_{MAX}





UP

UNDER



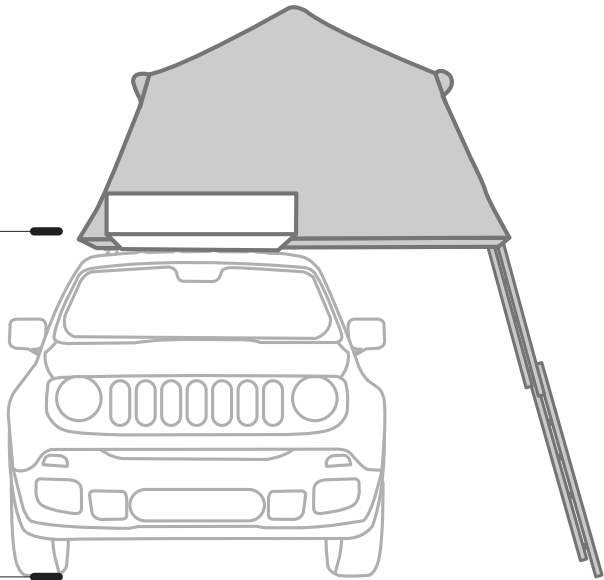
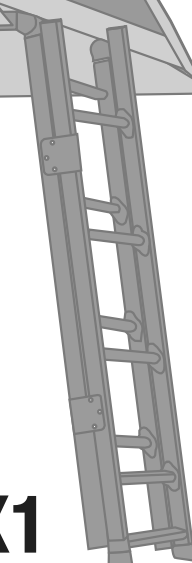
X4

X4

X4

X8

X1



max 2,30 m



X10



X4

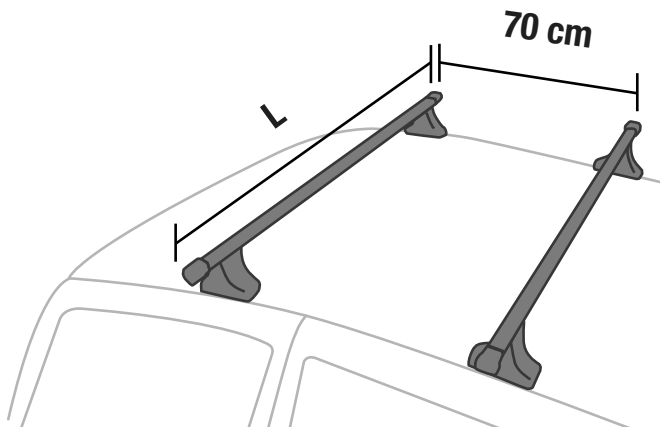
POSITIONING

Posizionamento • Placement • Platzierung

1

Minimum length

Lunghezza minima • Longueur minimale • Mindestlänge



ROOF TENT

L

Overland **Small**

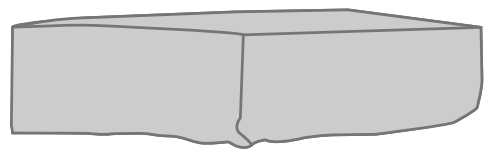
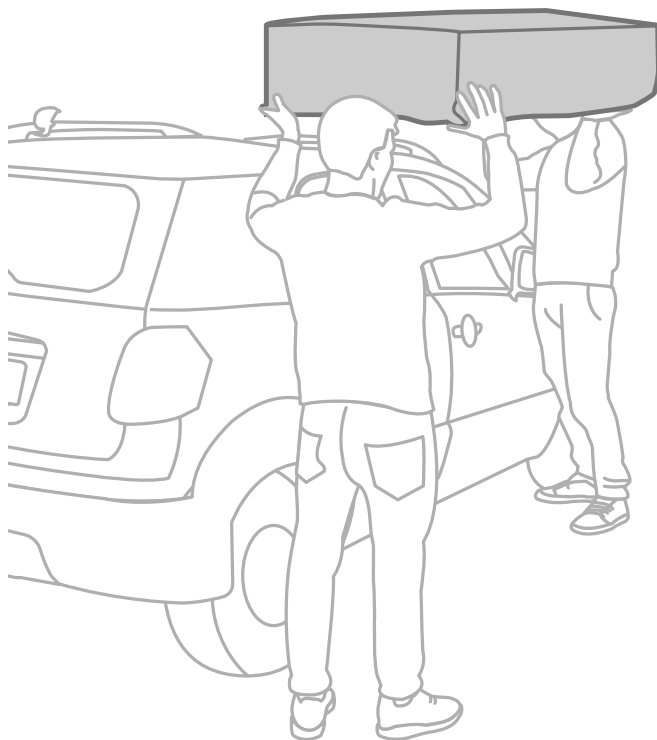
124 cm

Overland **Medium**

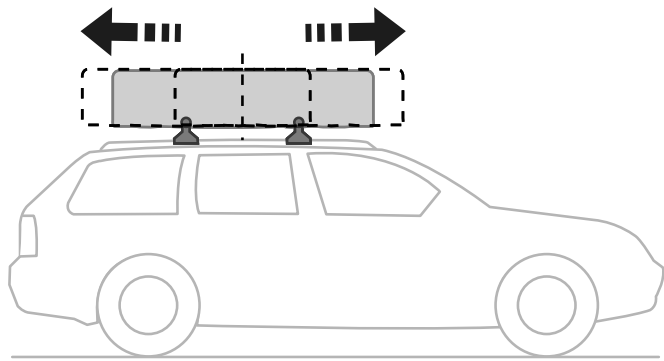
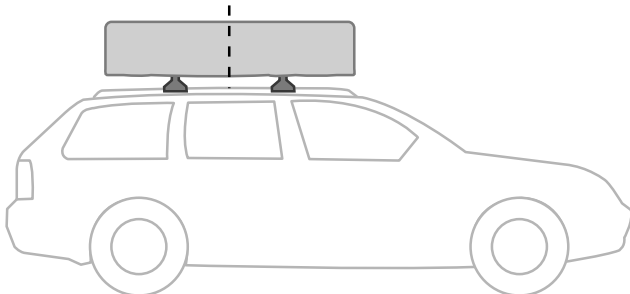
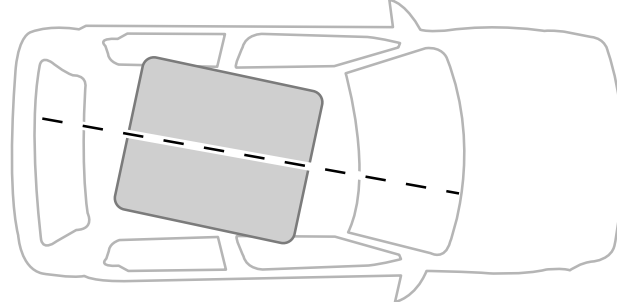
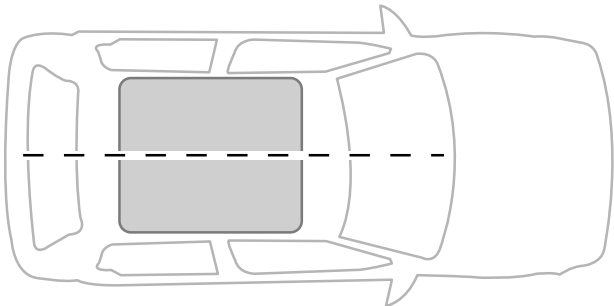
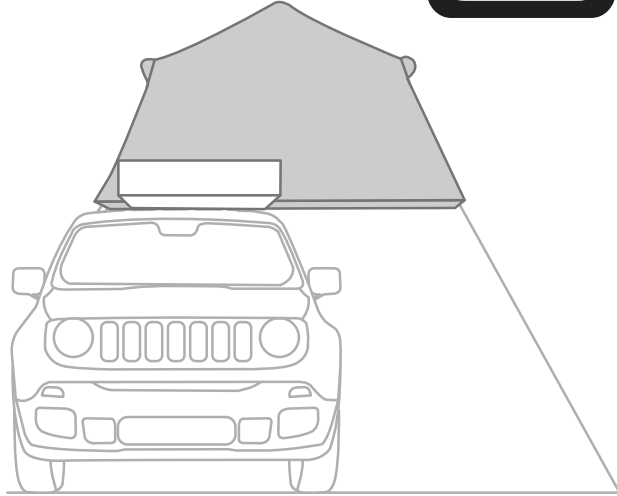
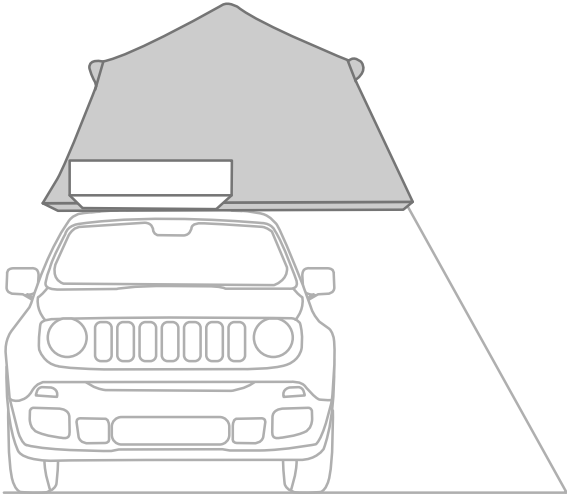
142 cm

Overland **Large**

160 cm



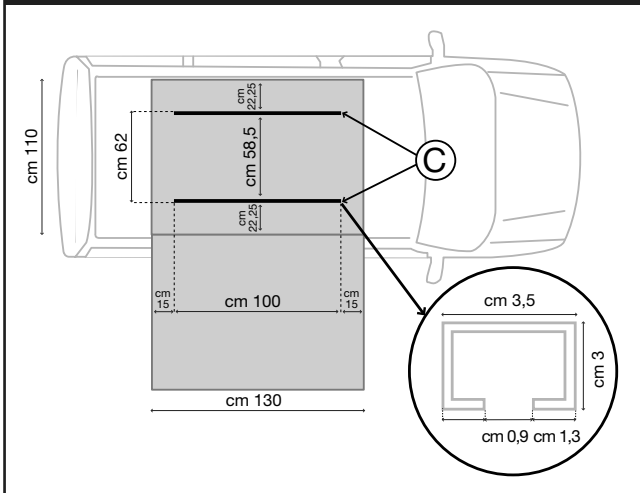
2



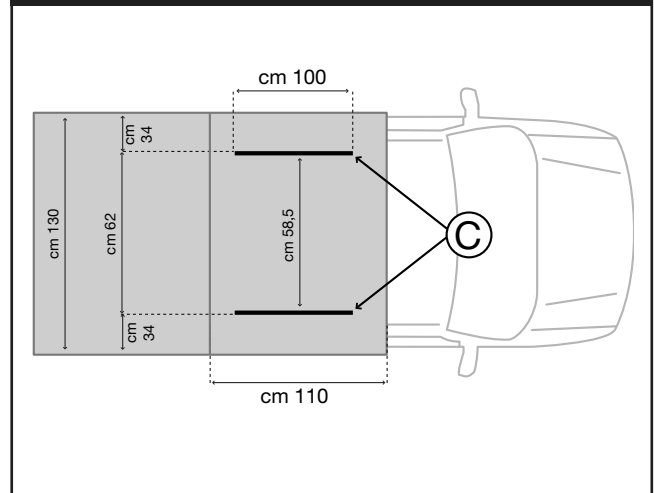
FIXING

Fissaggio • Fixation • Befestigung

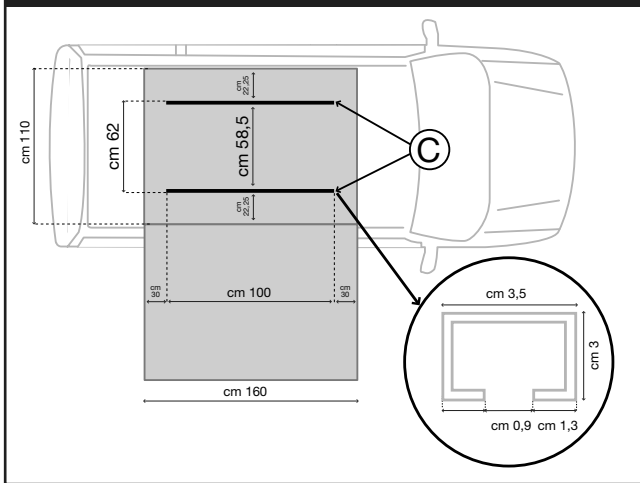
STANDARD FIXING OVERLAND SMALL



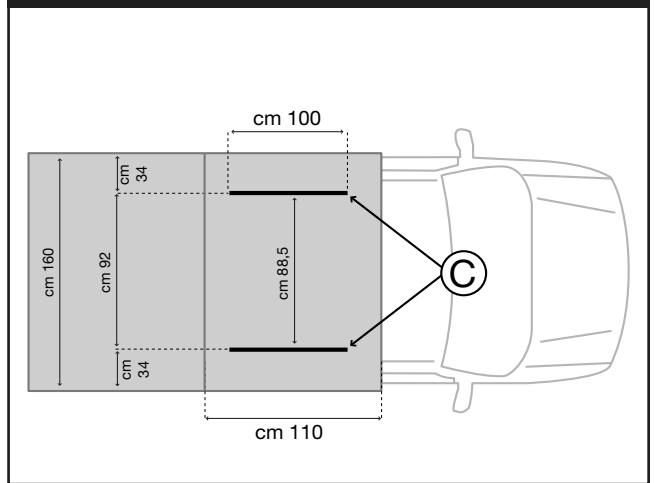
EXPLORER FIXING OVERLAND SMALL



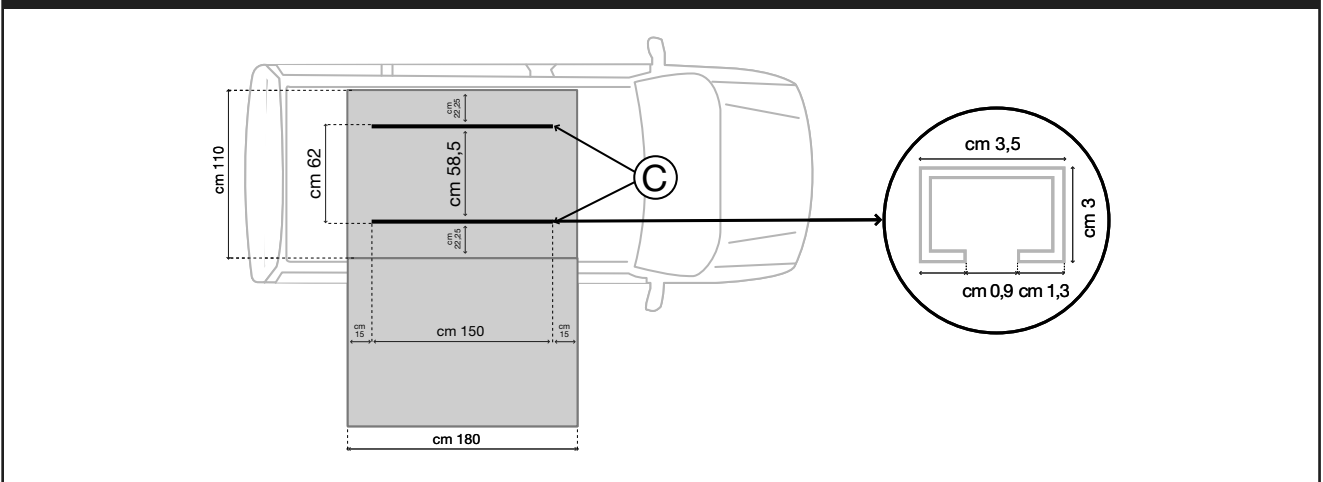
STANDARD FIXING OVERLAND MEDIUM



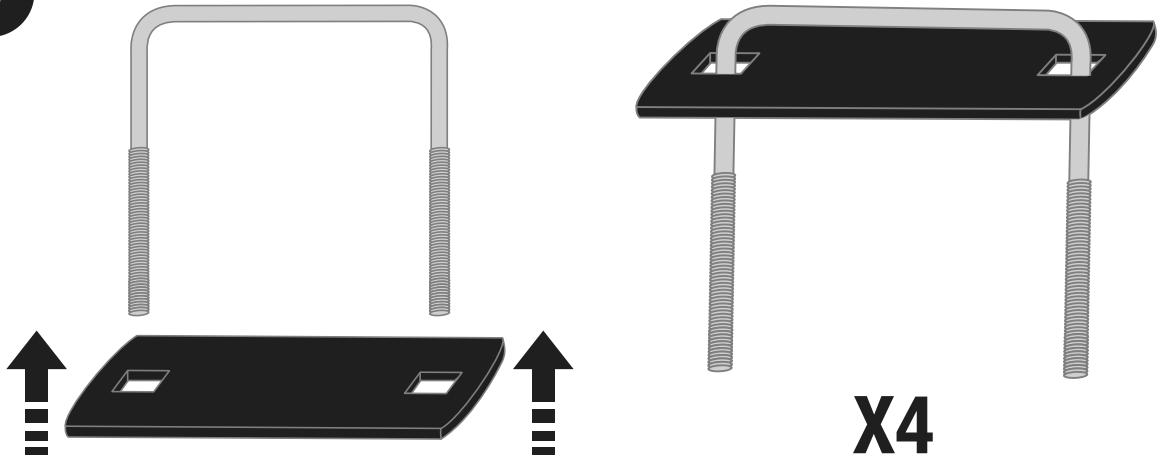
EXPLORER FIXING OVERLAND MEDIUM



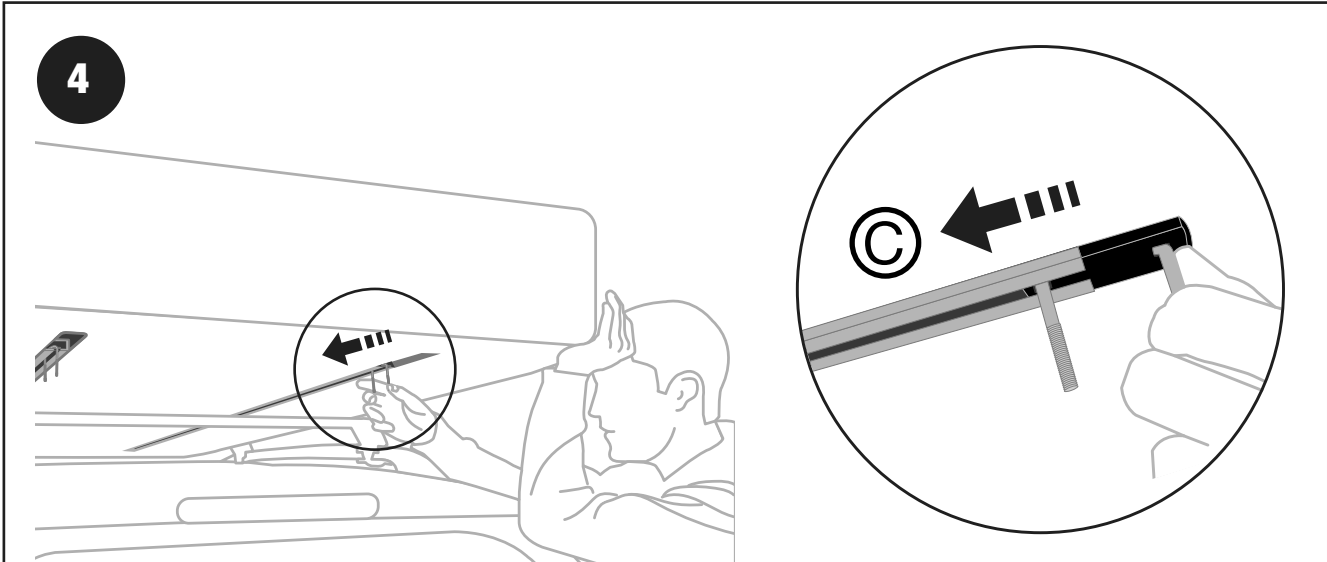
STANDARD FIXING OVERLAND MEDIUM



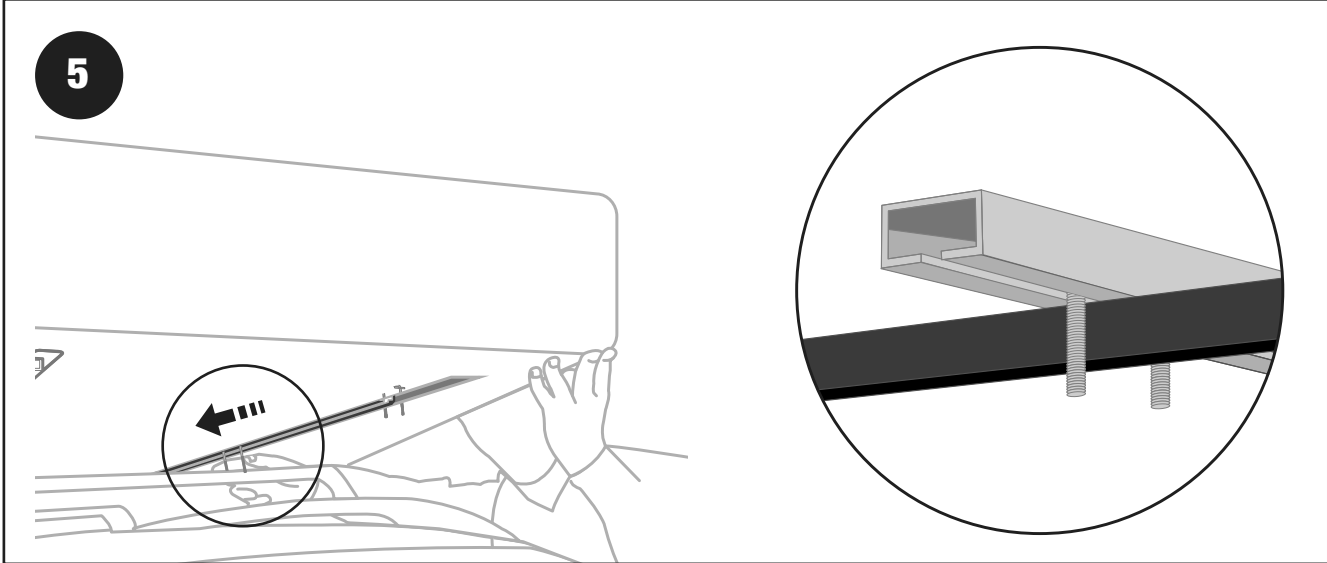
3



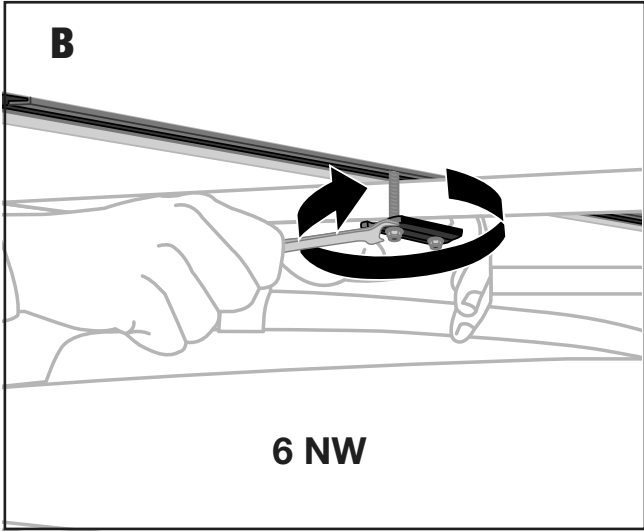
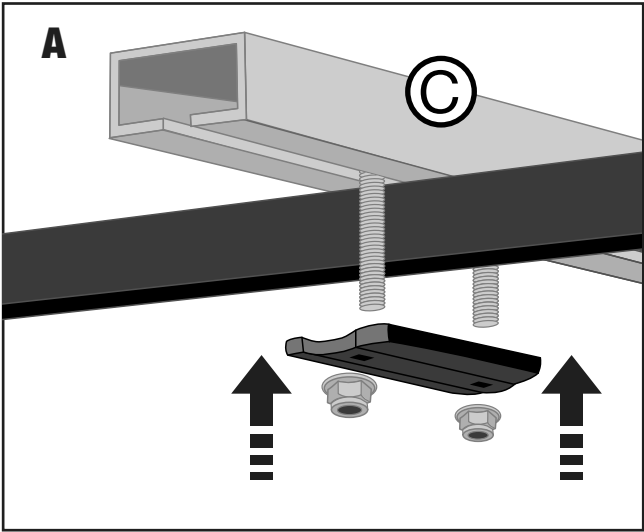
4



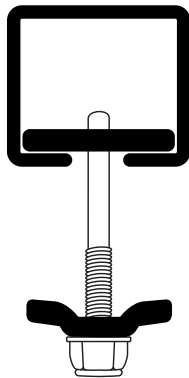
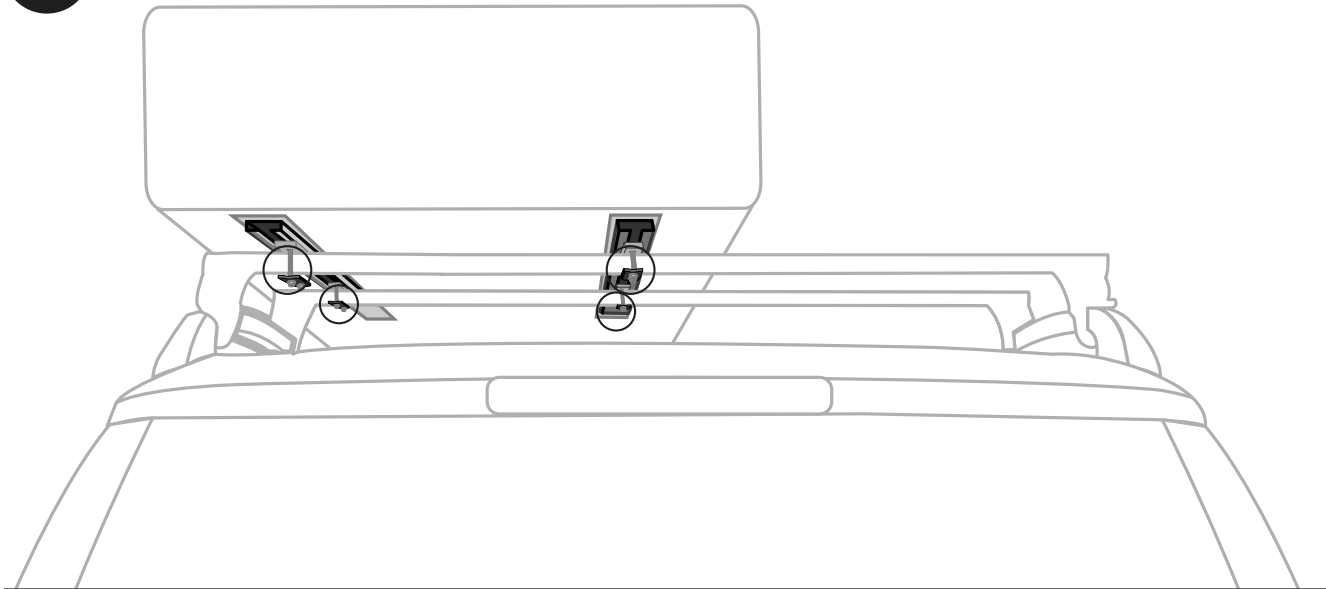
5



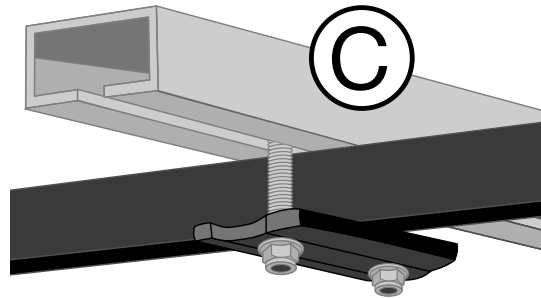
6



7



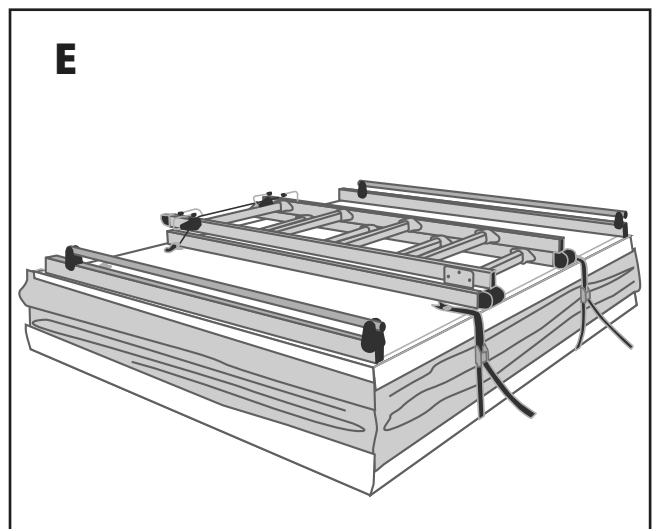
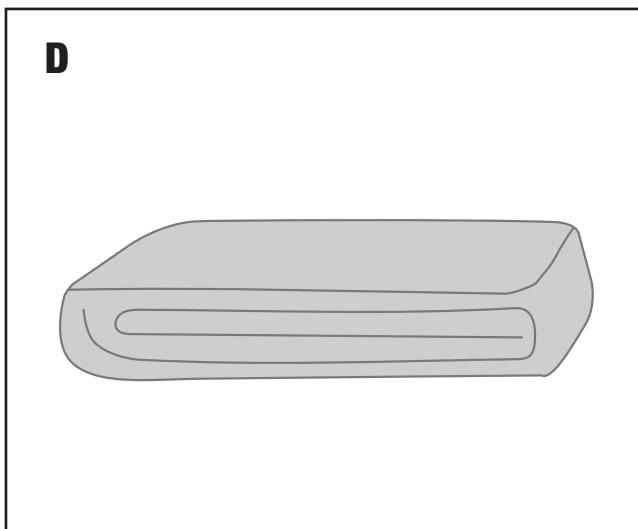
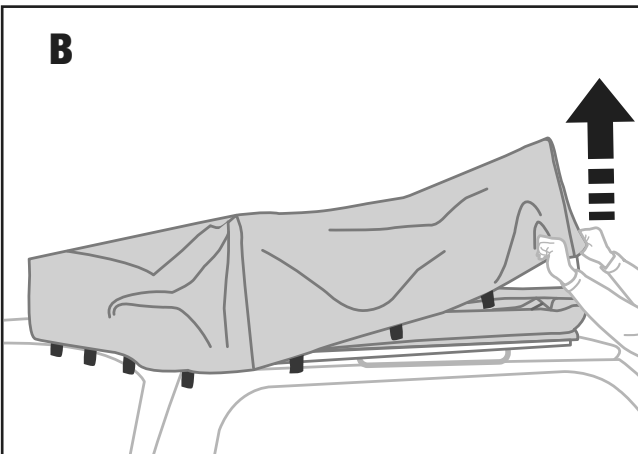
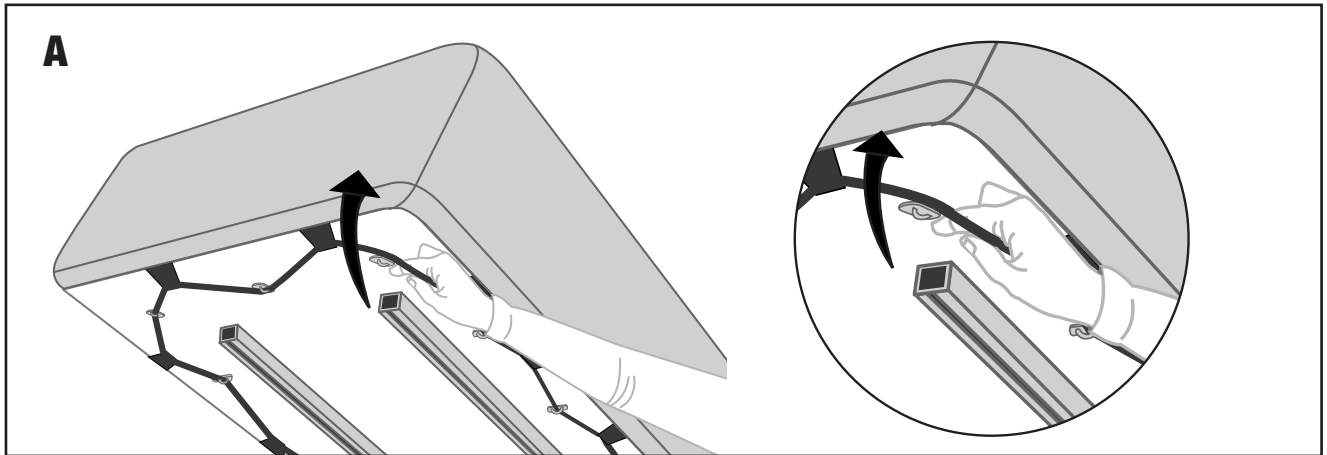
X4



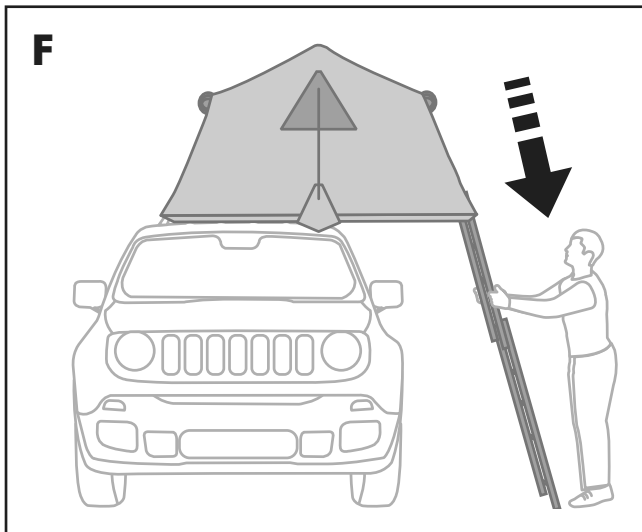
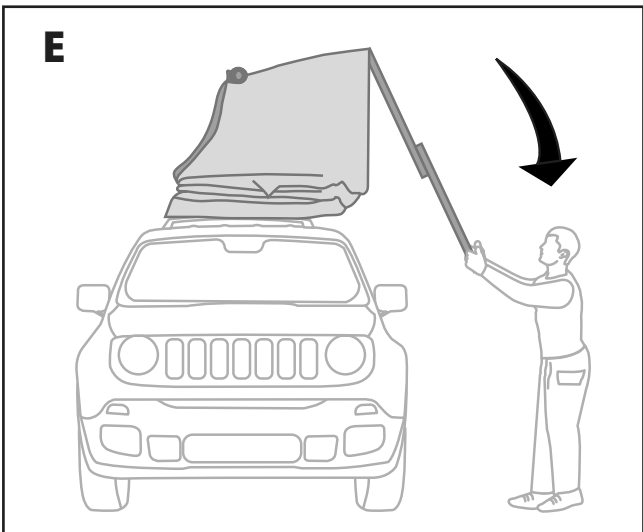
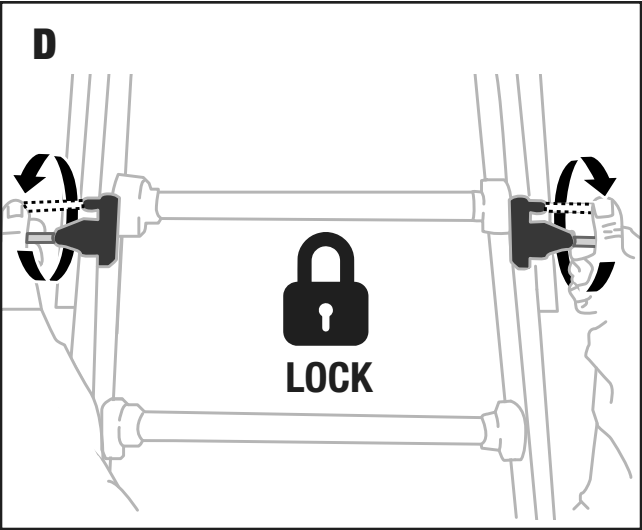
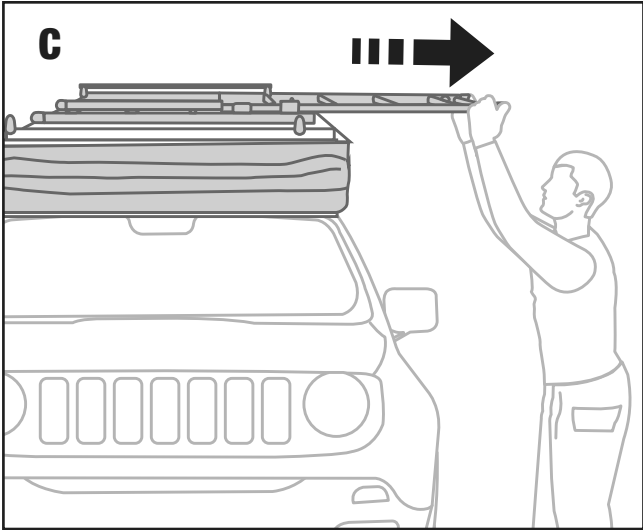
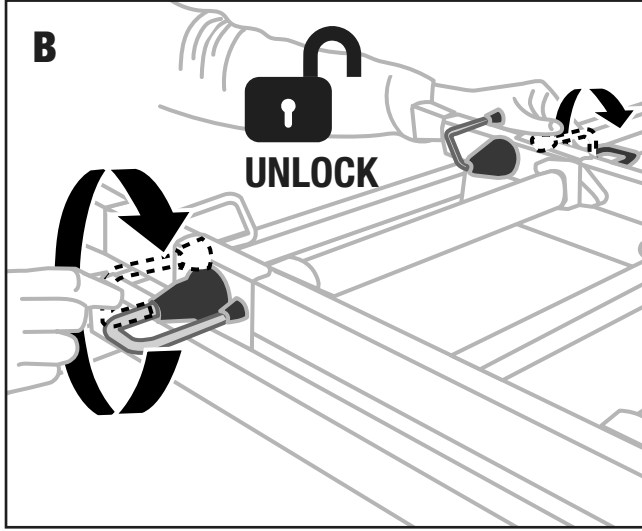
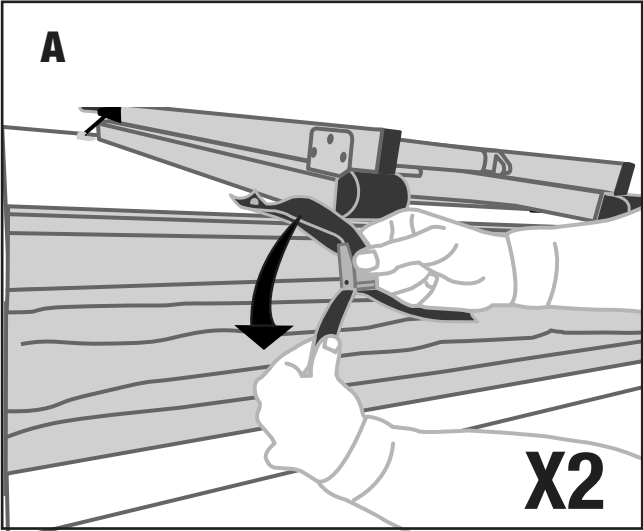
OPENING

Apertura • Overture • Öffnung

8



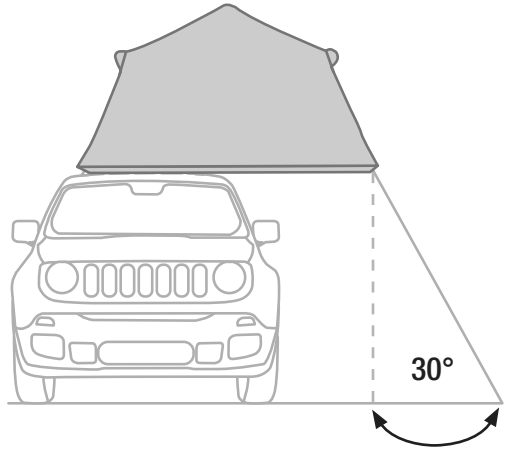
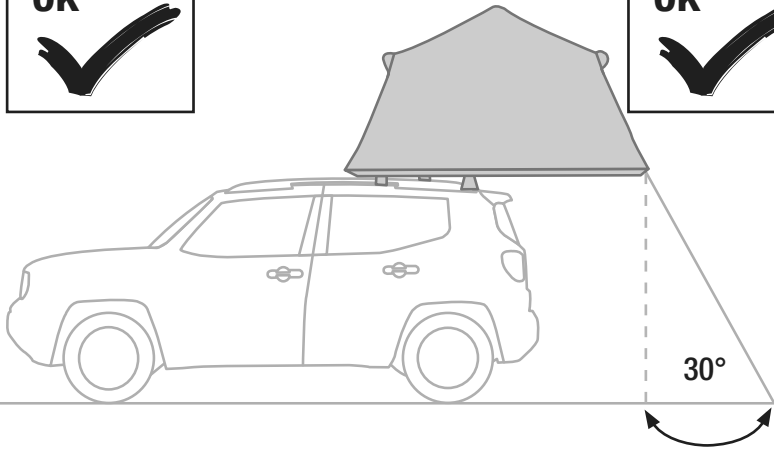
9



10

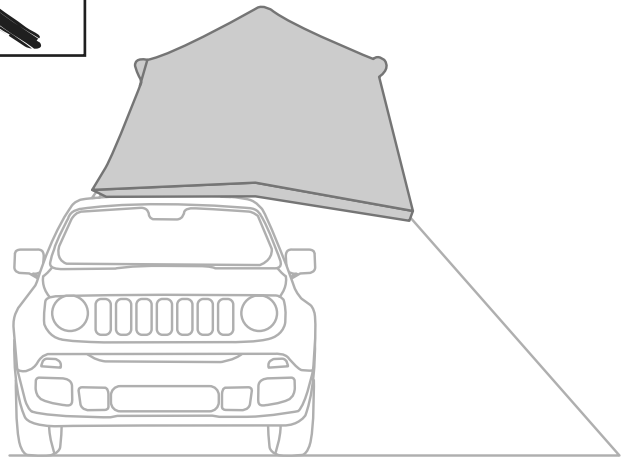
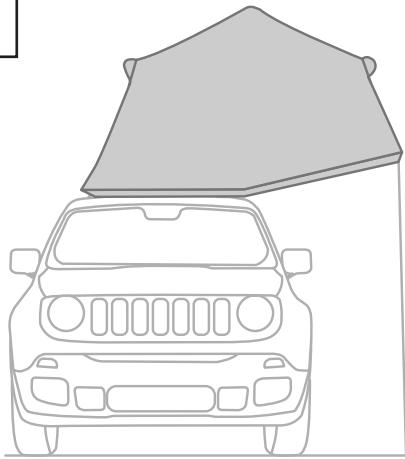
ok
✓

ok
✓



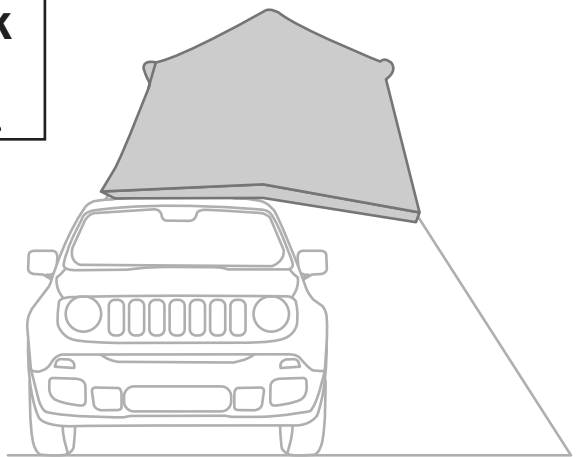
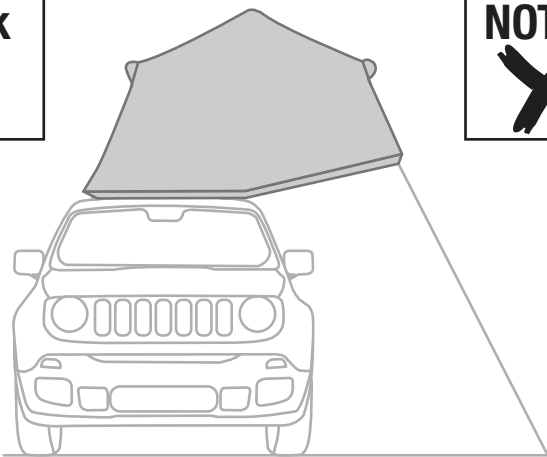
NOT ok
✗

NOT ok
✗

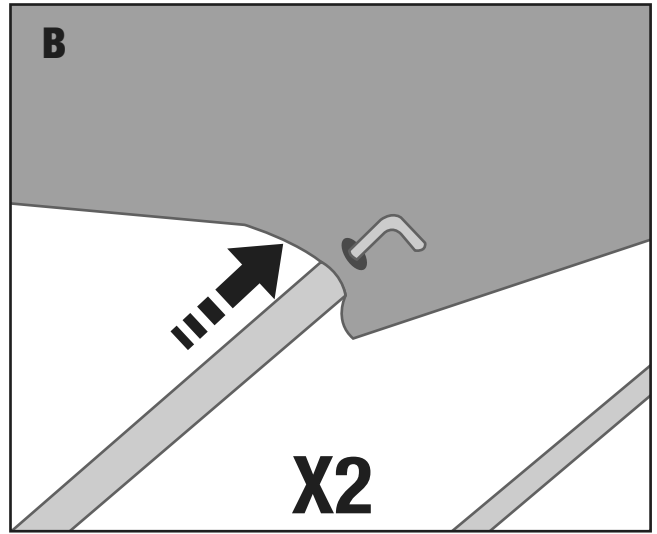
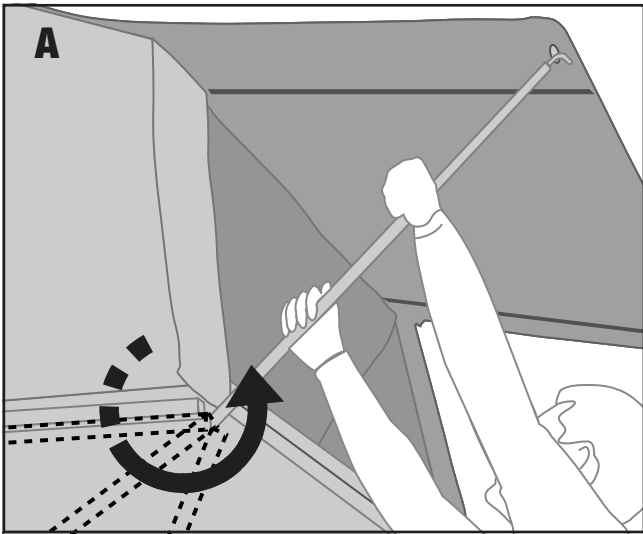


NOT ok
✗

NOT ok
✗



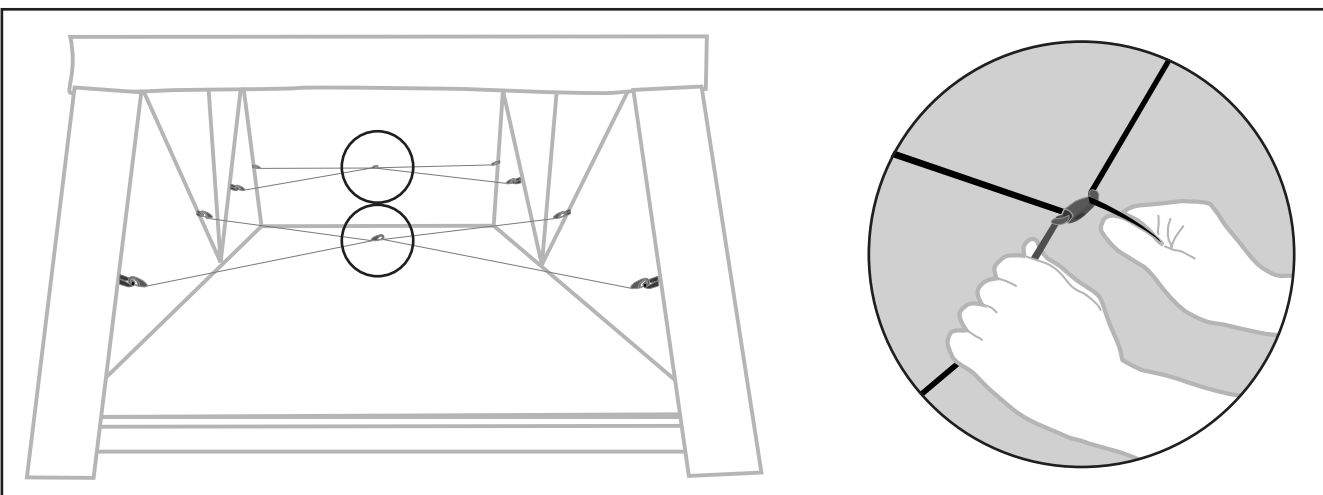
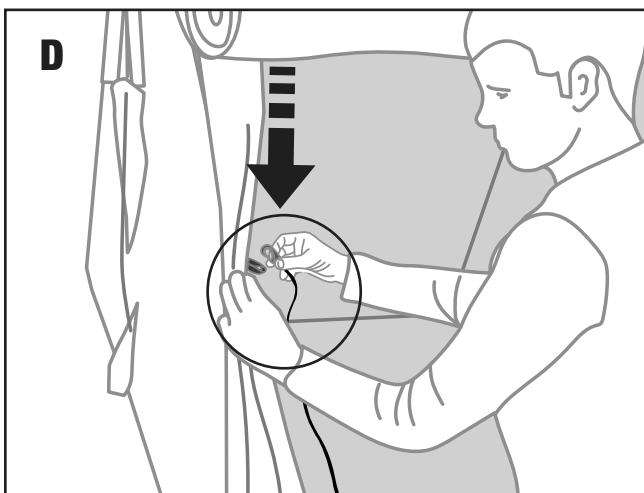
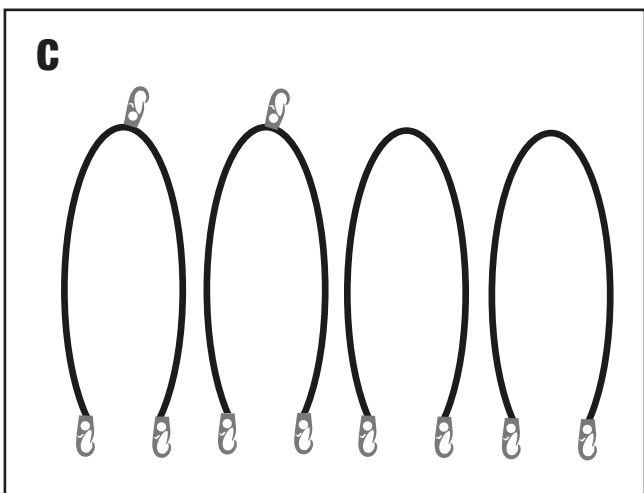
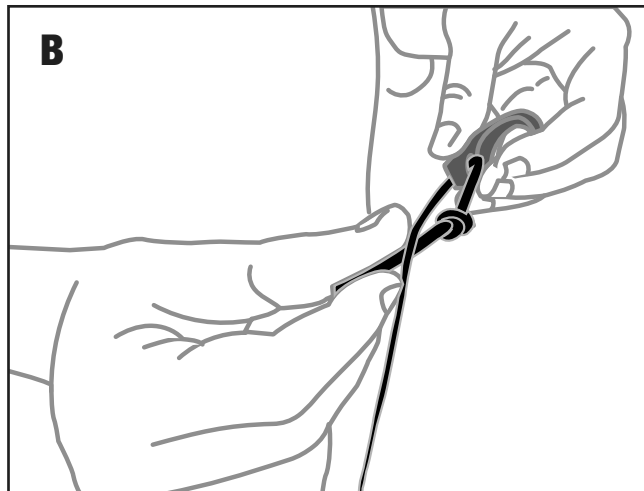
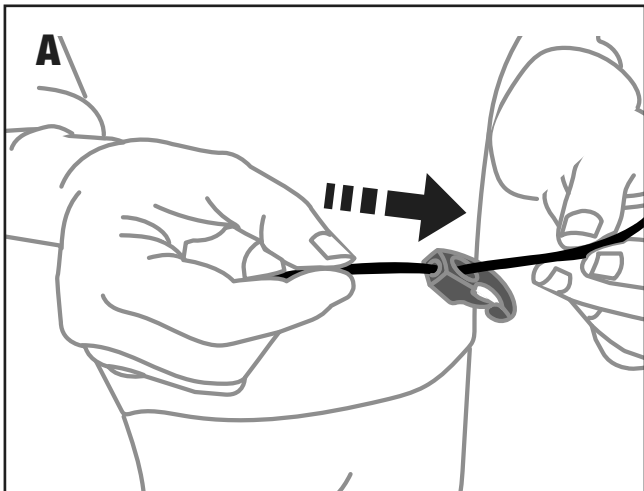
11



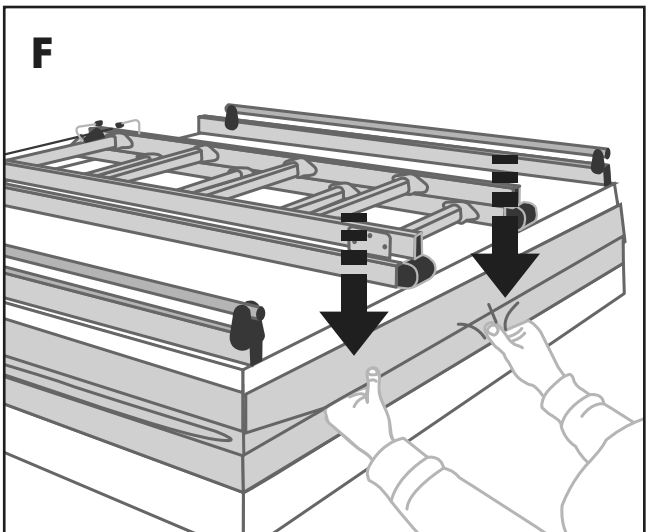
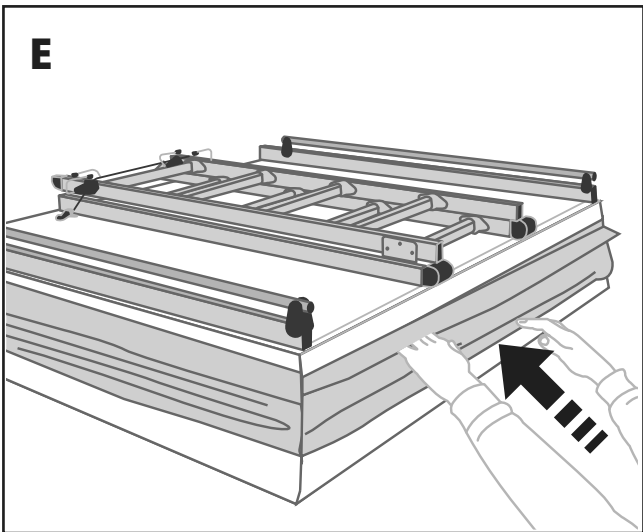
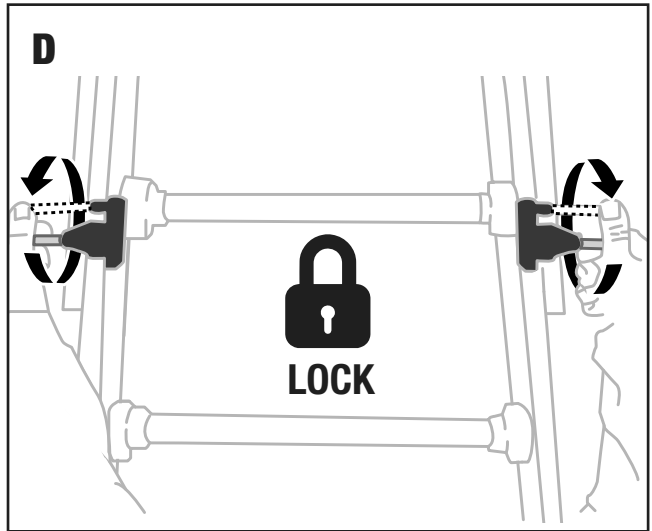
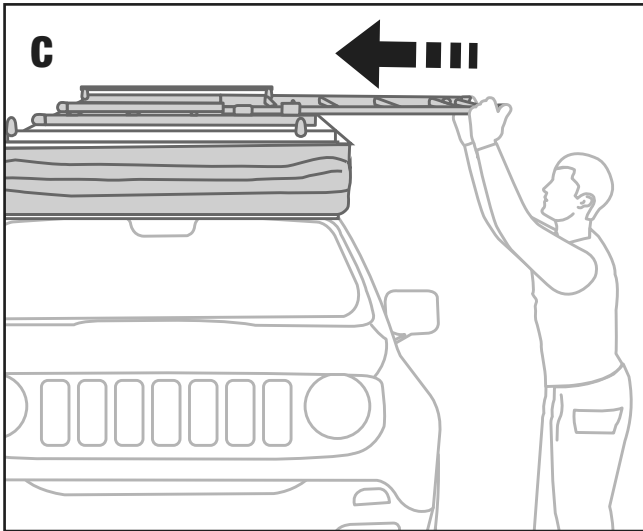
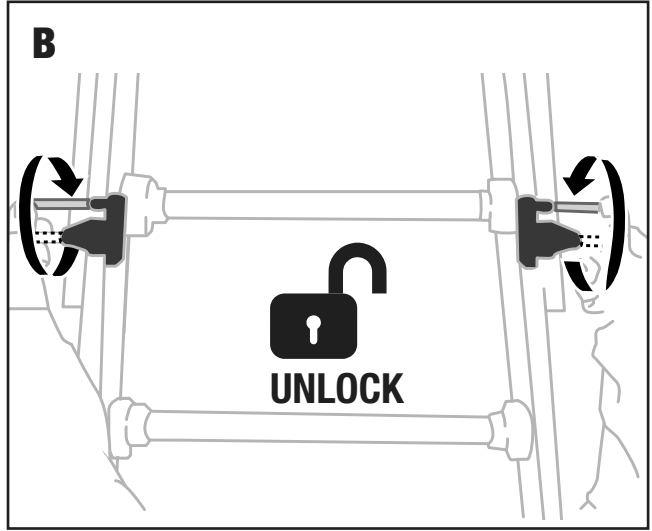
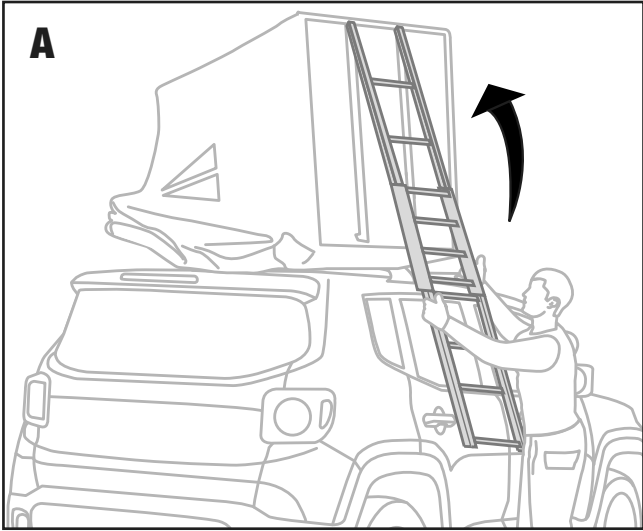
CLOSING

Chiusura • Fermeture • Schließung

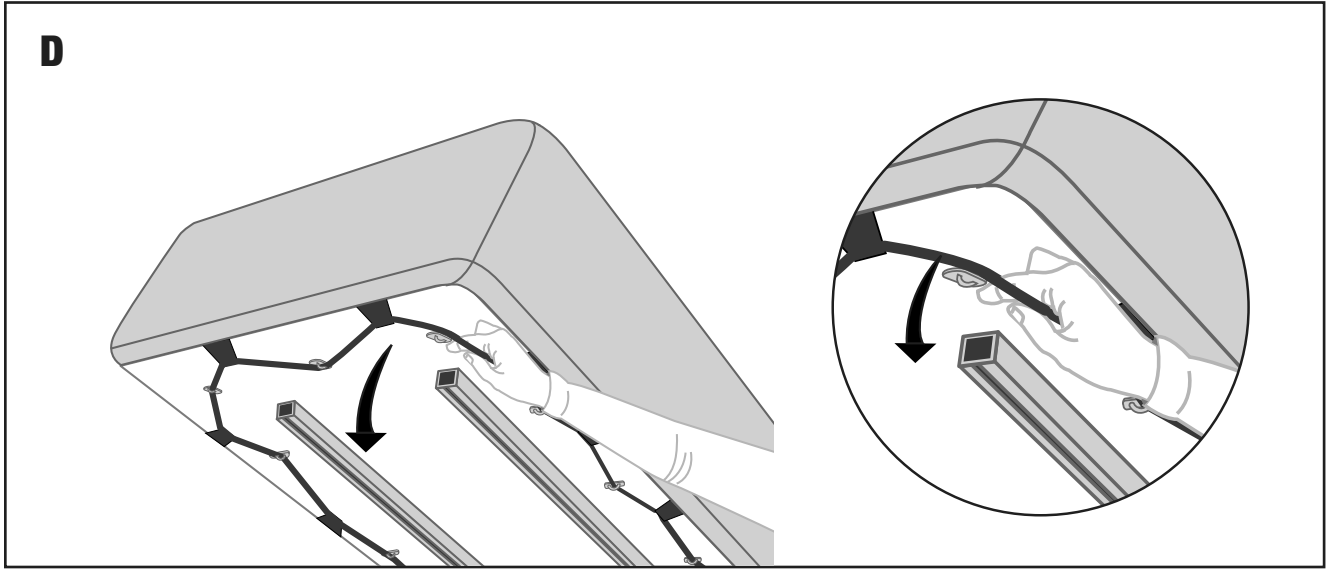
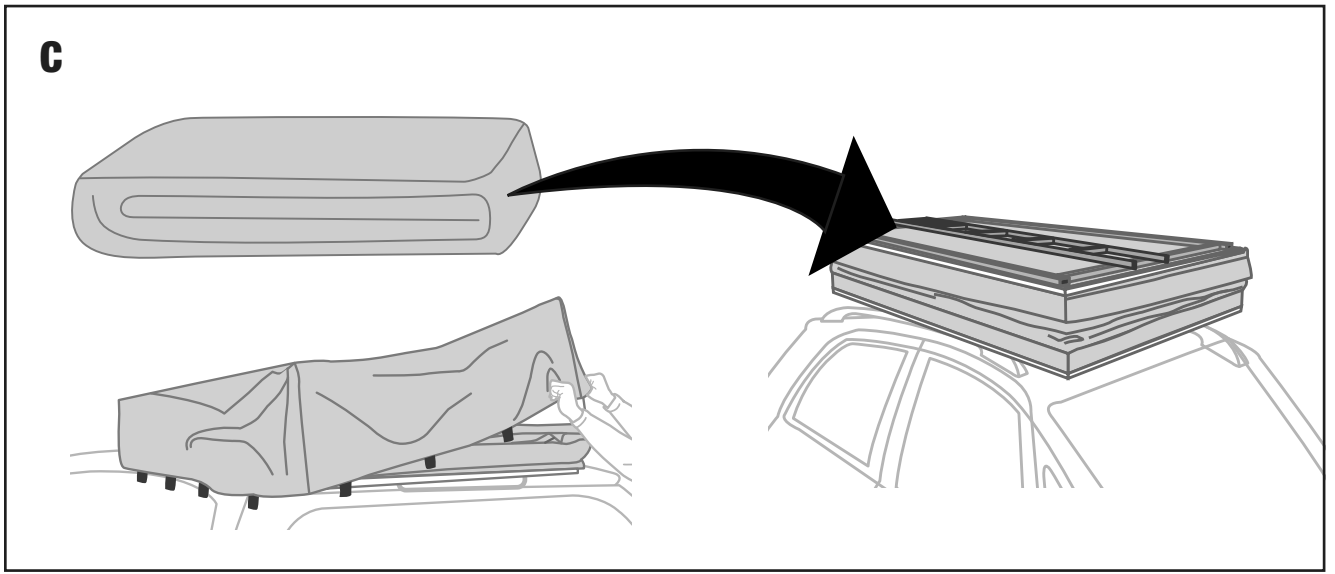
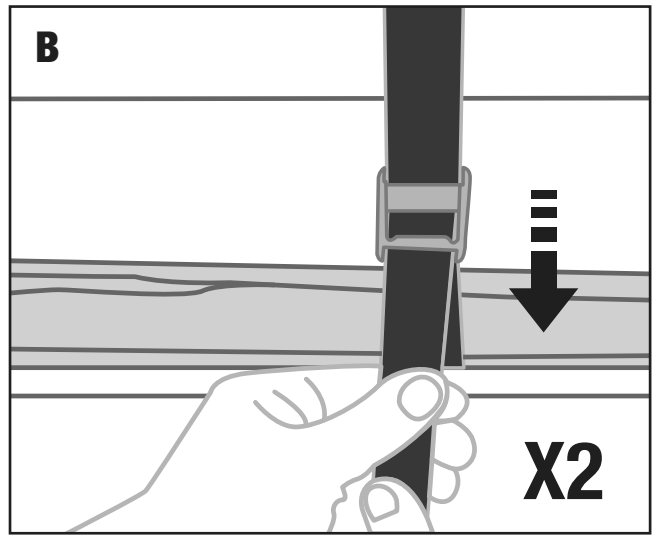
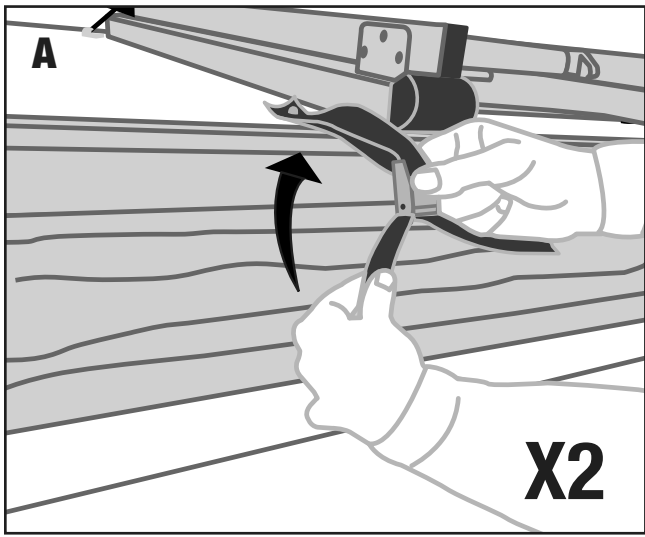
12

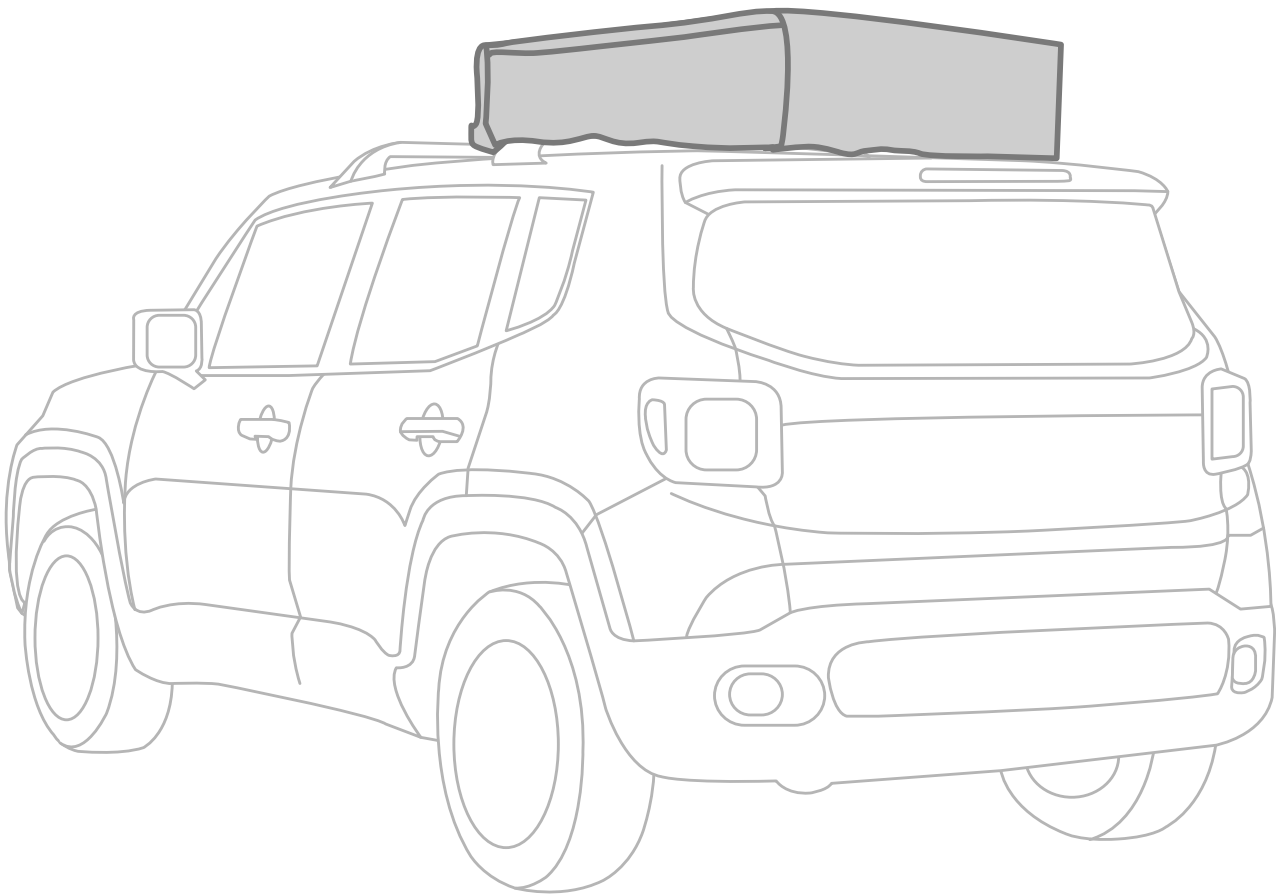


13

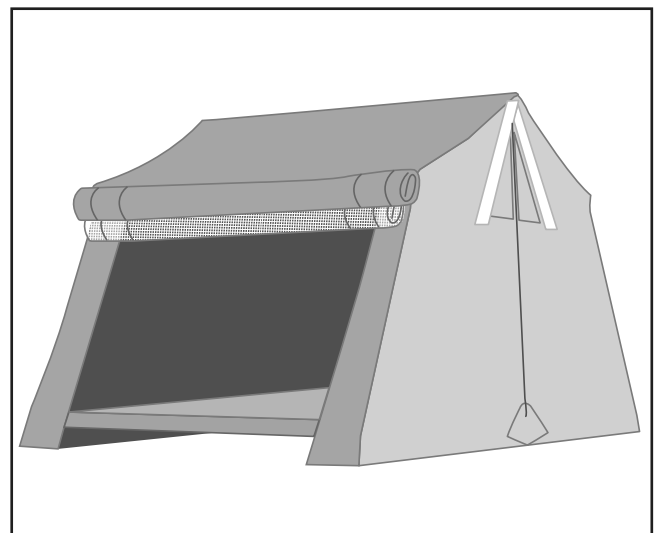
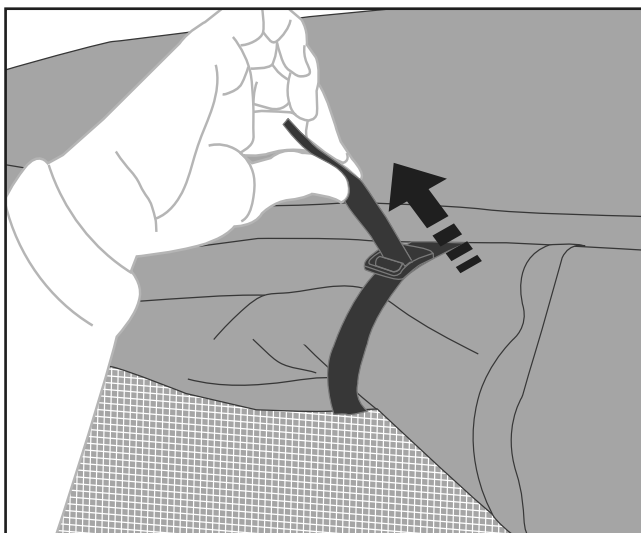
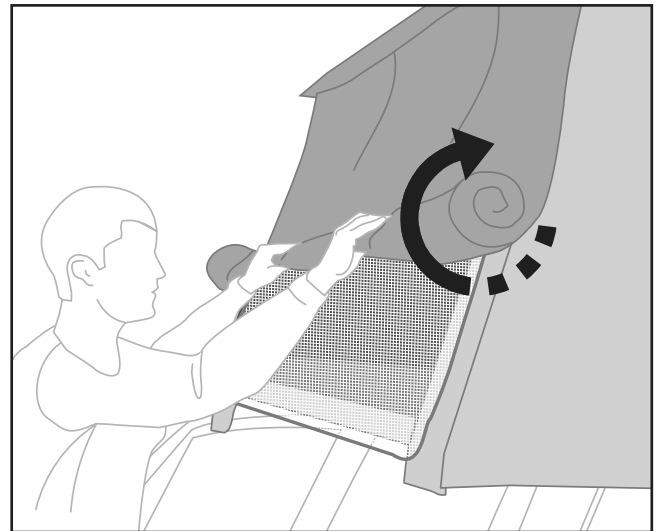
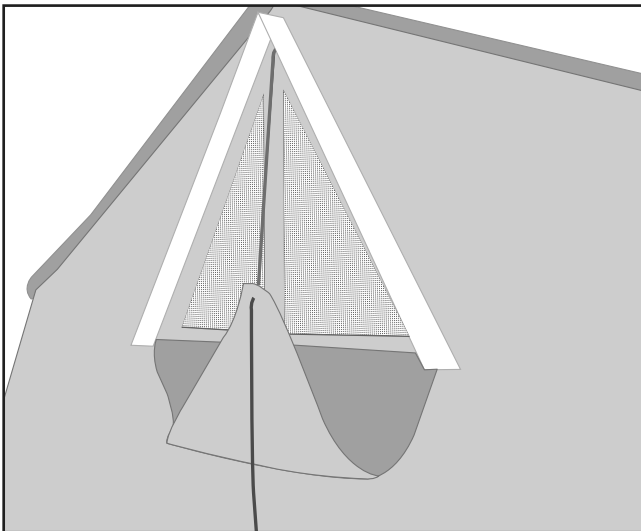
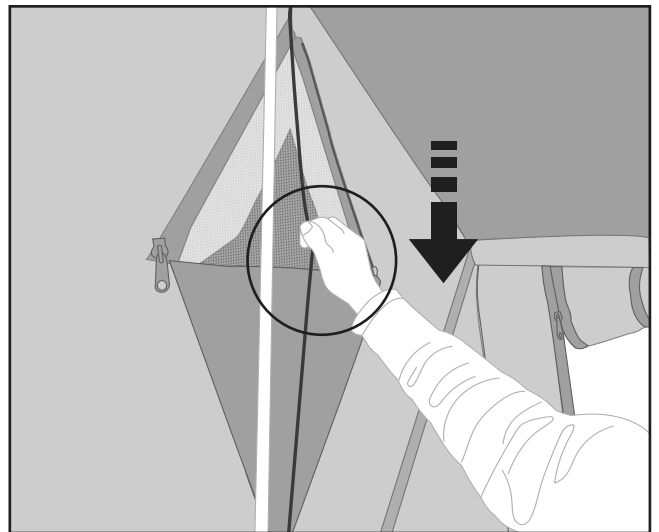
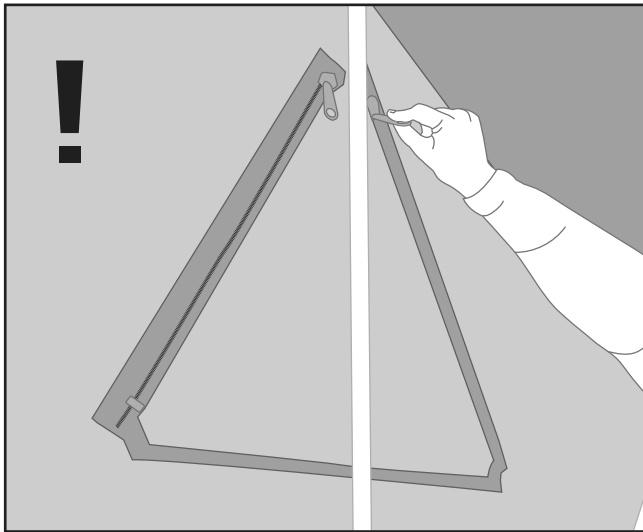


14



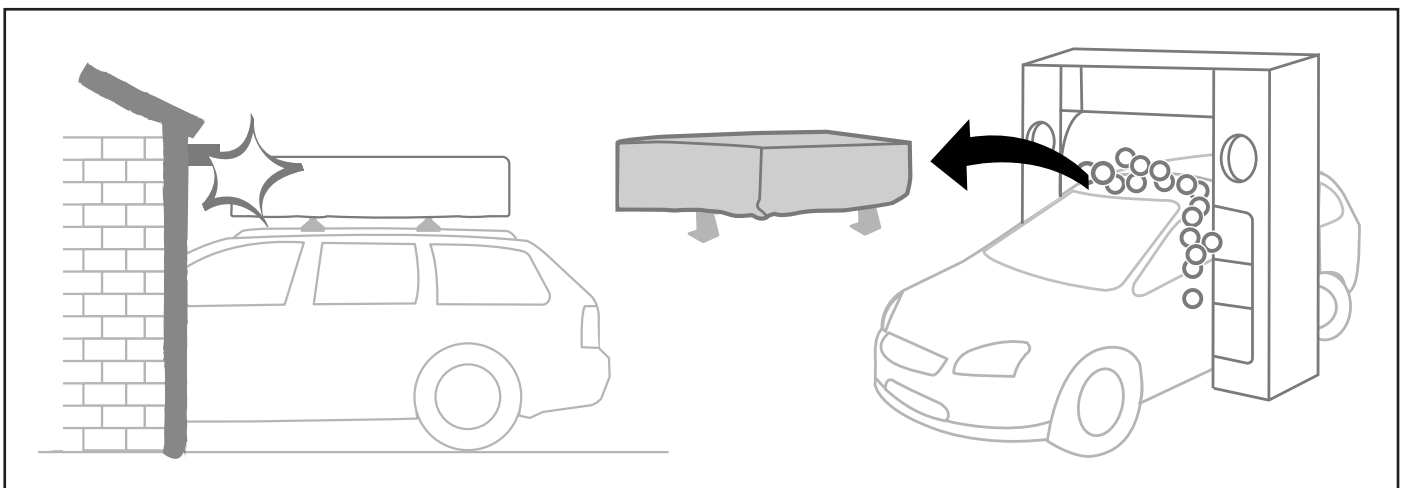
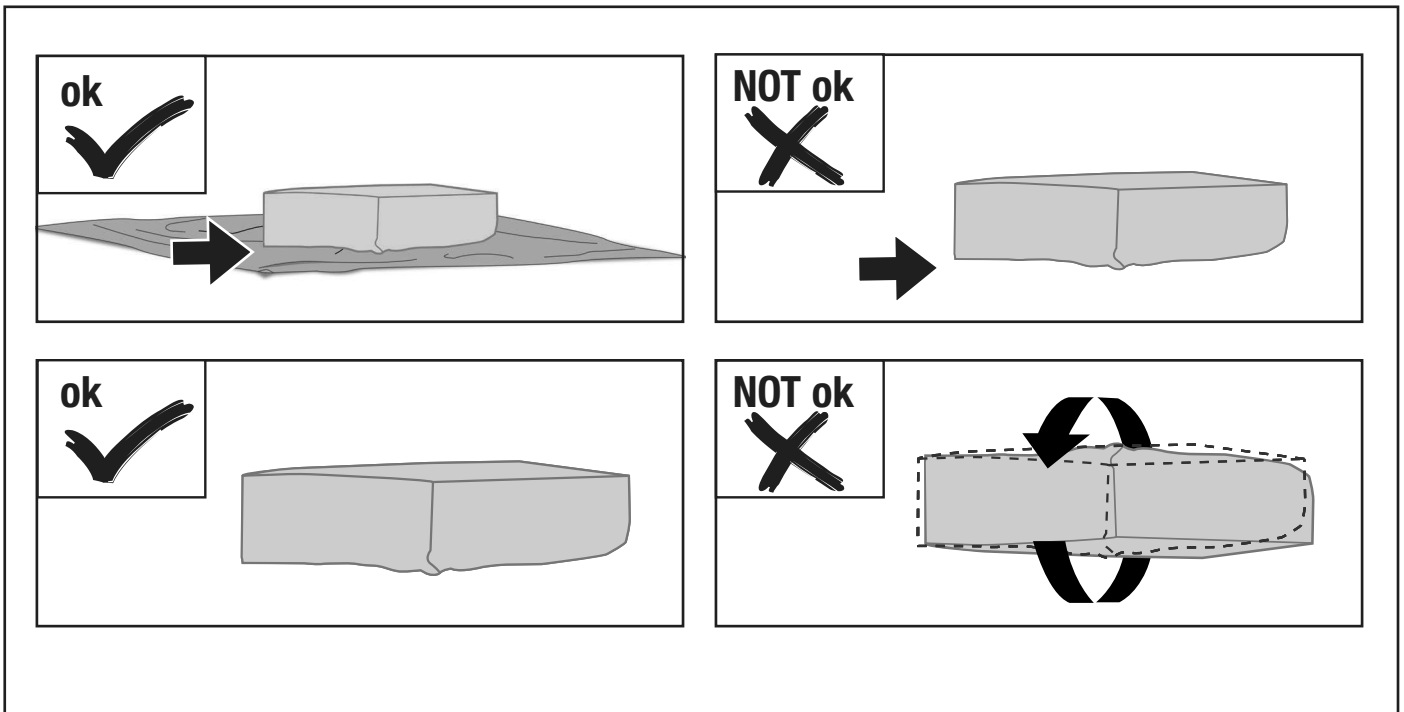
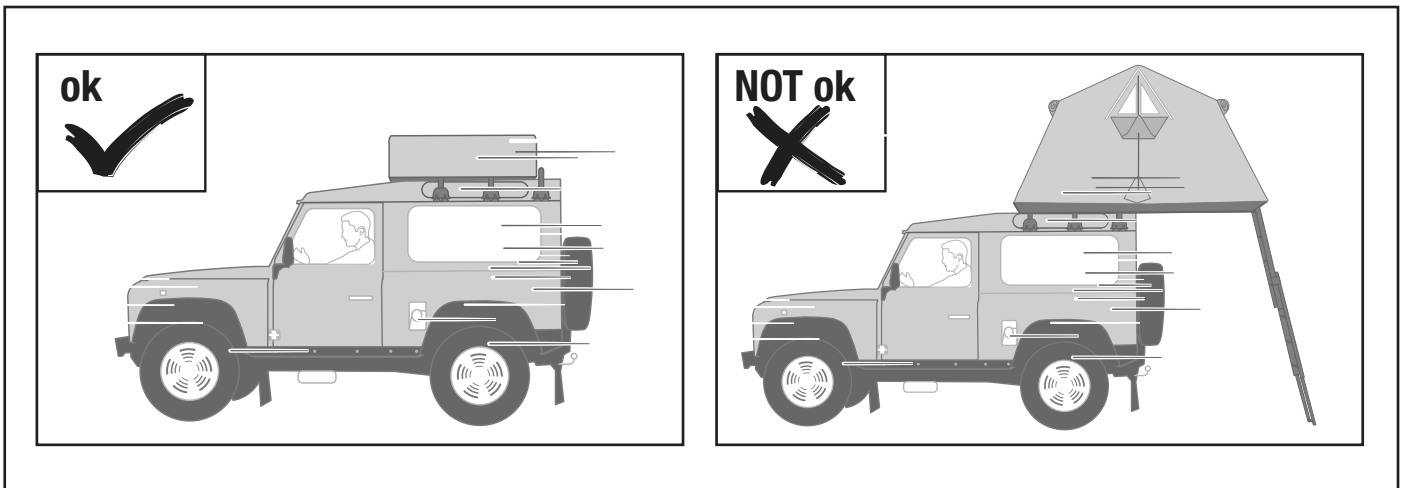


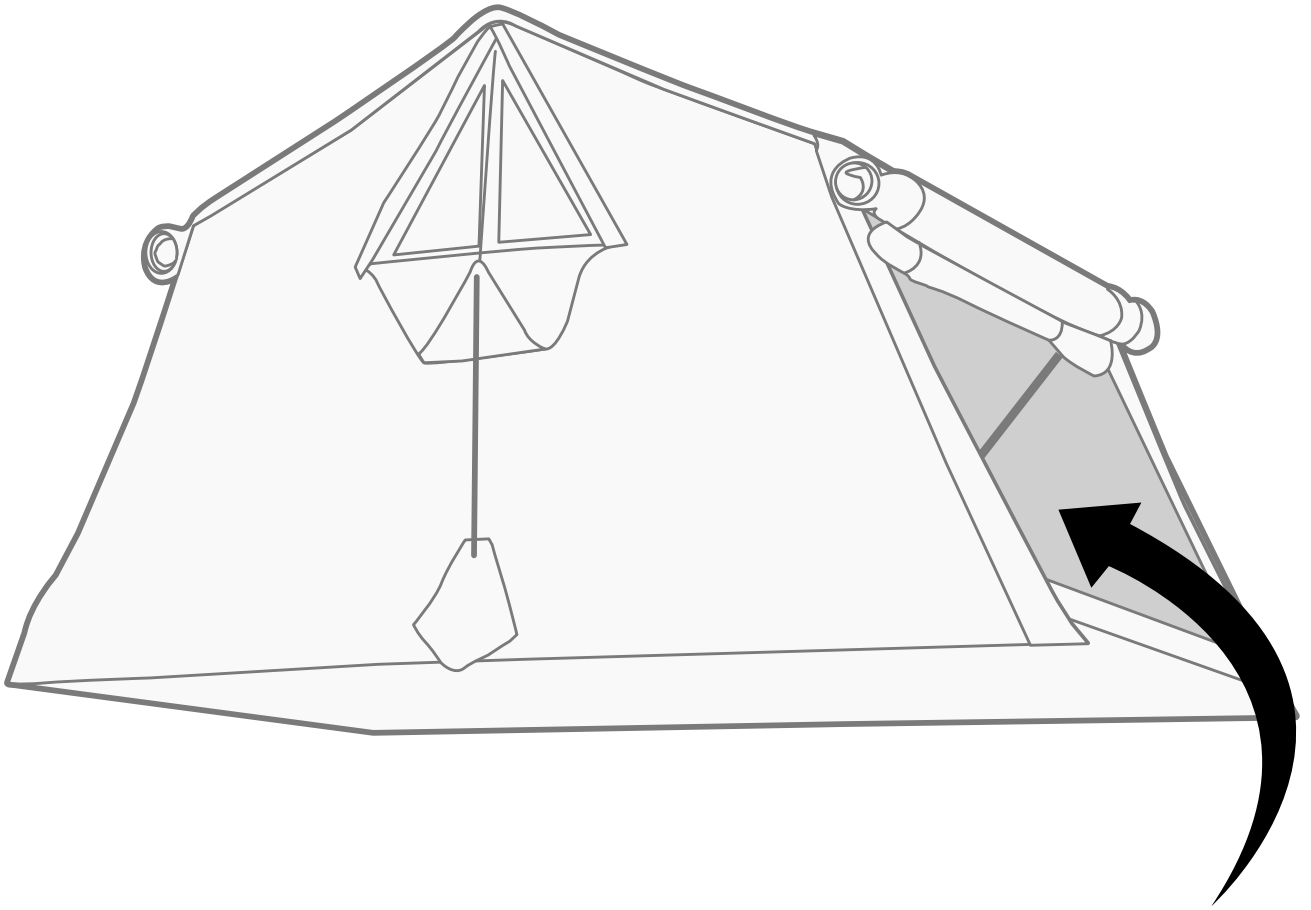
HANDLE WITH CARE



WARNINGS

Avvertenze • Avertissement • Warnungen







AUTOHOME[®] produced by
Zifer Italia Srl
Viale Risorgimento, 23
46017 Rivarolo Mantovano
(Mantova) Italy
Tel. +39 0376 99590
+39 0376 958164
Fax +39 0376 958088

AUTOHOME-OFFICIAL.COM
info@autohome.it

 MADE IN ITALY

 FREE RAIDER Autohome-Club



PRODUCT QUALITY CERTIFICATION