

PN: 295980 12V DC  
295982 12V DC

### Introduction

#### ► Feature

- Line pull: 4,309 kg / 9,500 lb wire rope first layer
- Wire rope: 8.7 mm × 30.5 m (11/32"×100') galvanized aircraft A7 × 19
- Brake: Patented cone brake holds full load
- Clutch: Turn the T-handle for rapid wire rope payout
- Control: Handheld pendant switch powers the winch

#### ► Unpacking

- Winch assembly..... 1 pc
- Control box..... 1 pc
- Remote control..... 1 pc
- Wire rope with hook..... 1 pc
- Roller fairlead..... 1 pc
- 1.8 m (6') 2 gauge battery lead..... 1 pc

#### ► Read this manual carefully

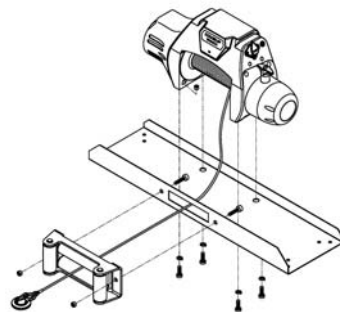
You should carefully read and understand this manual before operating it. Careless winch operation may result in personal injury hazards or property damage.

### Installation

Before using the winch, make sure all electrical components have no corrosion or damaged; the environment should be clear and dry.

#### ► Winch and roller fairlead mountings

- It is very important that the winch will be mounted on a flat and hard surface of mounting channel in order to make sure the motor, drum and gearbox housing are

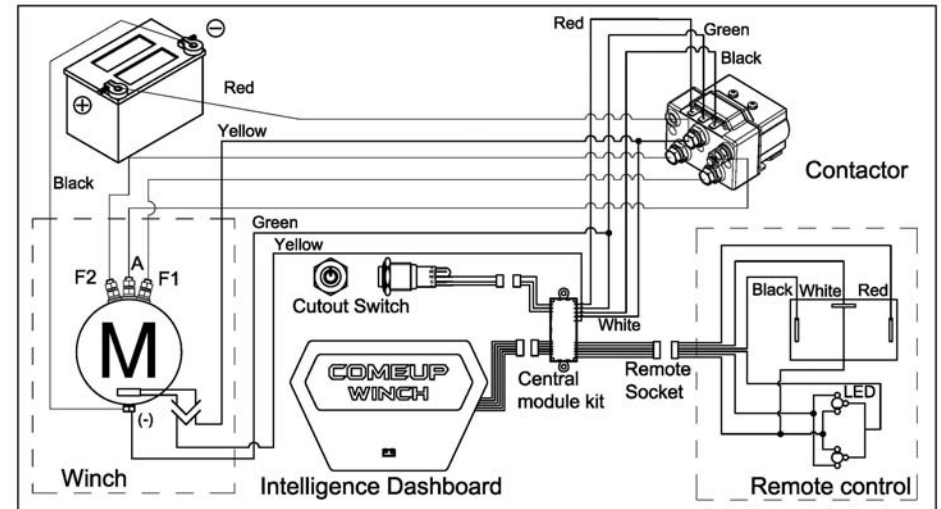


aligned correctly.

- Roller fairlead does not mount to the winch directly.
- The wire rope shall be wound in an under-wound orientation only.
- Four (4) M10 x 1.50 pitch 8.8 grade with 44 N-m torque settings (maximum) high tensile steel bolts must be used in order to sustain the loads imposed on the winch mounting.
- Two (2) M12 x 1.75 pitch 8.8 grade with 76 N-m torque settings (maximum) high tensile steel bolts must be used for fastening the roller fairlead into the mounting channel.

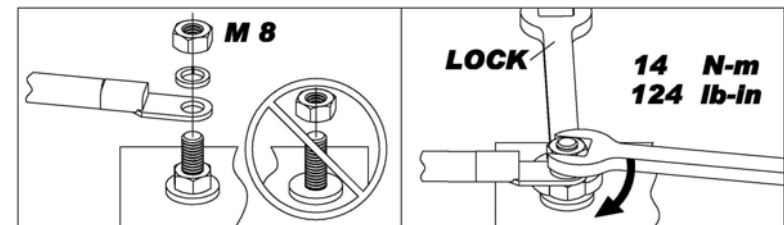
#### ► Wiring Diagram

Attach the black lead firmly to the negative (-) battery terminal and red lead to the positive (+) battery terminal. The voltage drop for the winch motor must not exceed 10% of the nominal voltage of 12V DC.



#### ► Nut fastening for motor & contactor

1. Holding the lower nut on the stub and fastening the upper nut clockwise.
2. The torque setting for nut is 14 N-m/124 lb-in.



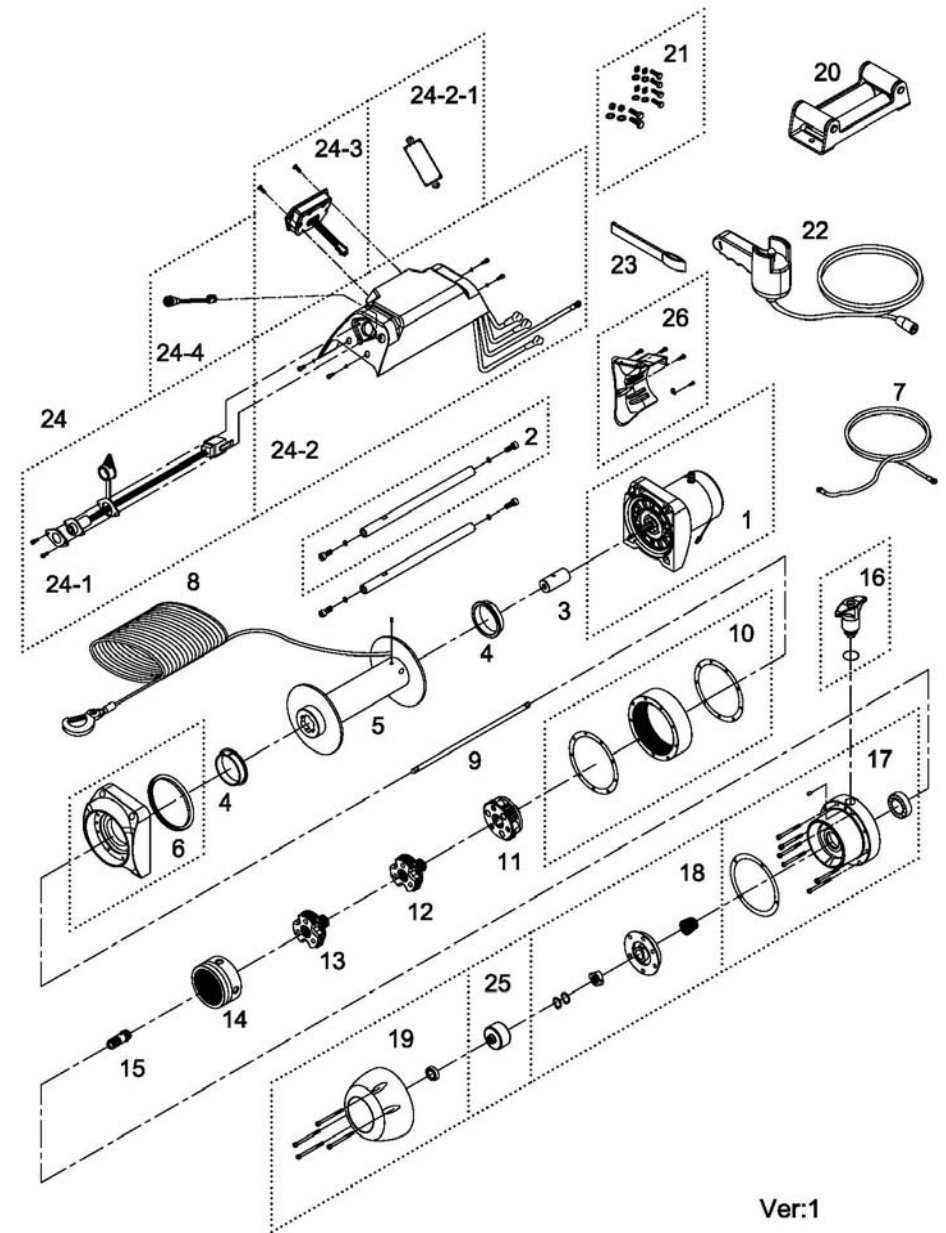
## Warning

- The winch is not intended to be used in any manner for the movement or lifting of personnel.
- The rated line pull shown is based on the first layer of rope on the drum.
- The rope winding on the drum shall remain 5 wraps from the drum.

## Parts List

Item No.	Description	Part No.	Qty
1	Waterproof motor w/housing 12V	882519	1
2	Tie bar kit	883132	2
3	Motor coupling	880005	1
4	Drum bushing	880006	2
5	Drum kit	881521	1
6	Gearbox support rack	882523	1
7	Grounding lead	880009	1
8	Wire rope w/hook	880112	1
9	1 <sup>st</sup> shaft	880011	1
10	3 <sup>rd</sup> ring gear kit	880114	1
11	3 <sup>rd</sup> stage carrier	880115	1
12	2 <sup>nd</sup> stage carrier	880116	1
13	1 <sup>st</sup> stage carrier	880117	1
14	1 <sup>st</sup> & 2 <sup>nd</sup> ring gear	880118	1
15	1 <sup>st</sup> pinion	880119	1
16	Clutch kit	881564	1
17	Gear box kit	882524	1
18	Cone brake disc kit	880122	1
19	Brake cover kit	882525	1
20	Roller fairlead	880023	1
21	Mounting hardware	880125	1
22	Remote control	880126	1
23	Handsaver strap	880026	1
24	Bridge Control box 12V	882681	1
24-1	Remote socket kit 12V	882718	1
24-2	Control pack 12V	882683	1
24-2-1	Central module kit 12V	882682	1
24-3	PC board kit	882684	1
24-4	Cutout switch	882693	1
25	Brake clutch base	881100	1
26	Motor side cover	882680	1

## Winch Assembly



Ver:1