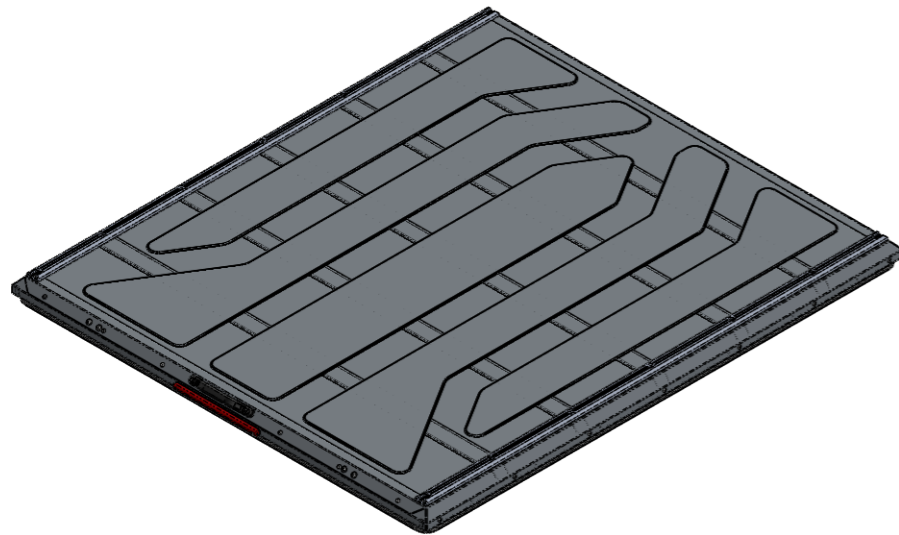
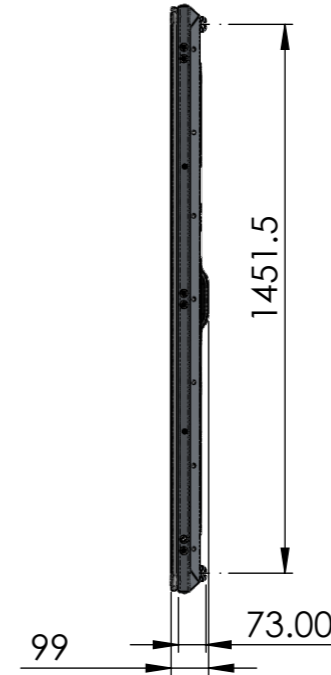
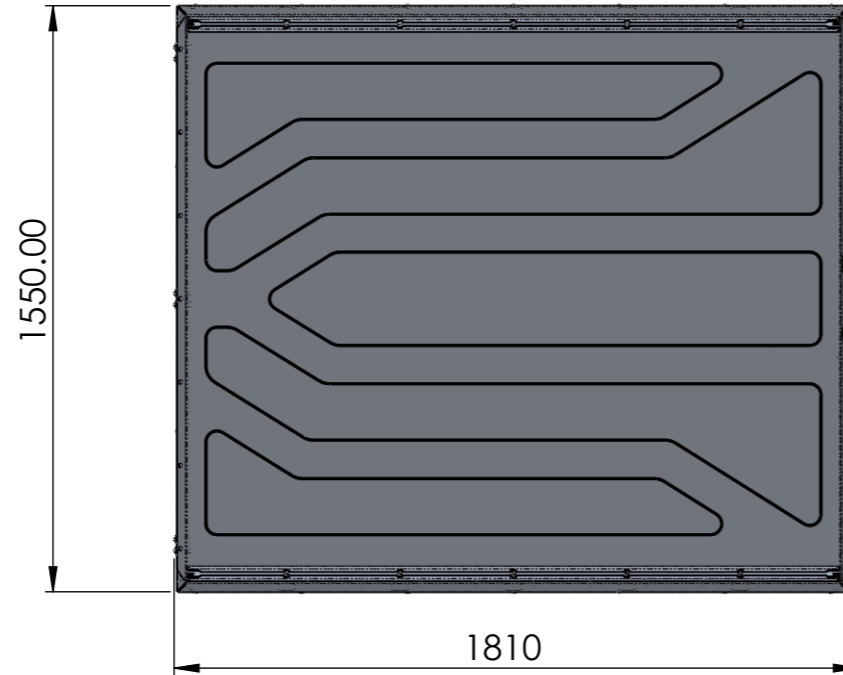


GENERAL ARRANGEMENT

MODCAP FSS FIXED FLAT ROOF

ASSY INFO	MASS (kg):	
	BONDED:	
	FASTENED:	
FINISH	WELDED:	
	TUMBLED:	
	BRUSHED:	
	POWDER:	
	SPRAY:	
	COLOUR:	N/A



APPROXIMATE WEIGHT: 32kg

TOLERANCES TO ASSUME UNLESS INDICATED OTHERWISE			
NOM	DIMENSION	RANGE (mm)	TOLERANCE
0.50	-	3.00	± 0.10
3.00	-	6.00	± 0.15
6.00	-	30	± 0.20
30	-	120	± 0.30
120	-	400	± 0.50
400	-	1000	± 1.00
1000	-	1000<	± 2.00

DESCRIPTION:		SHEET:
CC2 BO FSS FIXED FLAT ROOF		A3
PROJECT:		SCALE:
CC-A-BO-FSS-ROOF		1:20
DRAWN BY:	DATE:	DRAWING NO.:
System Administrator	2024-03-07	CC-A-BO-DC-FR-GA
THE INFORMATION CONTAINED WITHIN THIS DOCUMENT IS THE INTELLECTUAL PROPERTY OF ALU-CAB (PTY) LTD		

SHEET:		SHEET 1 of 1	
SCALE:			
DRAWING NO.:		REV	
CC-A-BO-DC-FR-GA		00	

REVISIONS			
REV.	DESCRIPTION	DATE	APPROVED
00	RELEASED FOR PRODUCTION	2024-03-08	System Administrator