

## Manual/Assembling Steps 2xLED Bumper Option / \*\* 4xLED Bumper Option

For all steps of the bumper assembly instructions, refer to the bolt table in the other products section.

1. **\*\* Only for 4xLED bumper option - left and right bumper wing should be equipped with a left and right steel lamp guard, respectively.**
2. LED lights WAŚ Fi90 MM should be bolted to the light mounts (left and right side). Fig.2.A  
The whole kit (lamp + mount) will be mounted to the bumper at a later stage.
3. Equip the left and right wing with Hi-Lift Jack Points. They must be in the position shown in the Fig. 3.A.
4. Right and left bumper wing should be screwed to the central bumper box according to fig. 4.A. Use the mounting holes marked in fig. 4.A. 8mm Alu Spacer must be placed between the wings and winch box.
5. Left and Right LED lamps mounts with LED lamps should be screwed to the wings of the bumper. Use the mounting holes marked in fig. 2.A.
6. Winch cover should be screwed to the bumper. Use the mounting holes marked in fig. 5.A.
7. At this stage, the top aluminum plate should be attached to the top of the bumper using black screws M6x16 Fig. 6.A. **\*\* Only for 4xLED bumper option at this stage, the mount to fi56mm lamps is also attached with M6x16 - hole 1 and 2 in Fig. 6.A and Fig.7.A**
8. **\*\* Only for 4LED bumper option - left and right bumper wing should be equipped with Fi56 mm LED lamps. Use the mounting holes marked in fig. 7.A.**
9. At this stage, logo plate can be installed. Use black screws M6x16 for this operation.
10. Hyena Bumper can be mounted to the vehicle. The bumper is mounted to the car chassis in the place where the original bumper is attached. Figure 8.A shows the mounting holes in the Hyena Bumper

The original bumper should be disassembled according to the manufacturer's recommendations.

If the instructions are not clear in any matter or you need additional information before you start installing the bumper, please contact: [info@hyenaoverland.com](mailto:info@hyenaoverland.com)

FIG.2.A

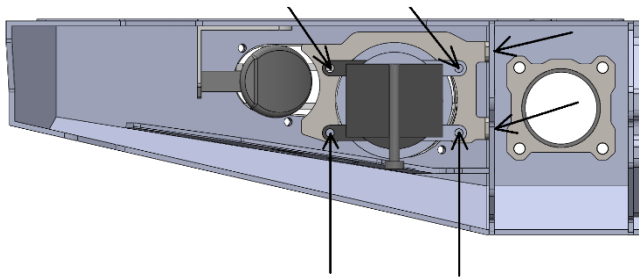


FIG.3.A

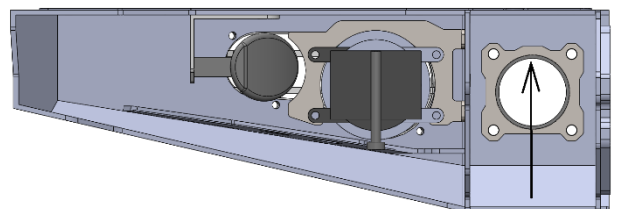


FIG.4.A

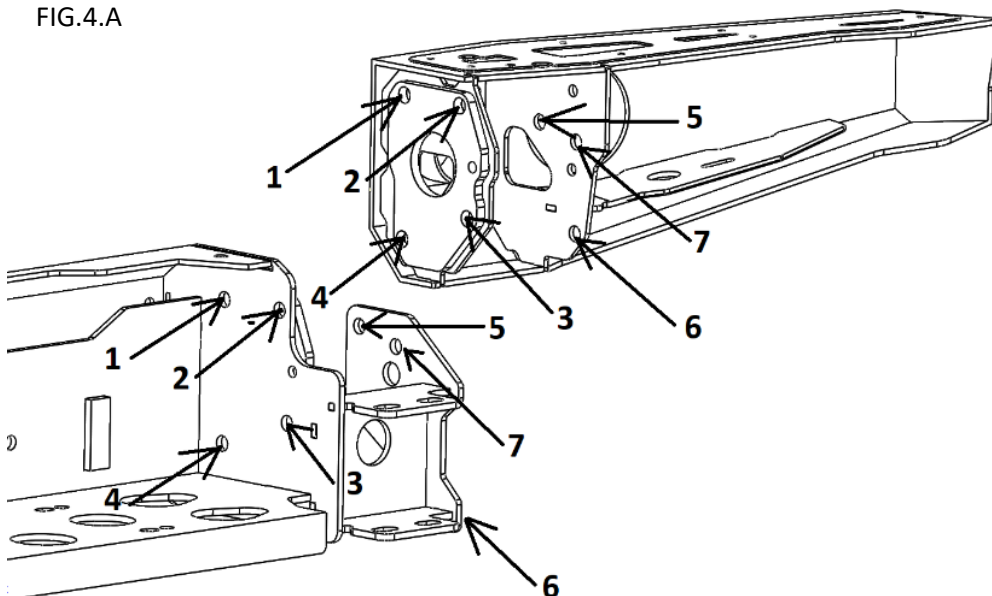


FIG.5.A

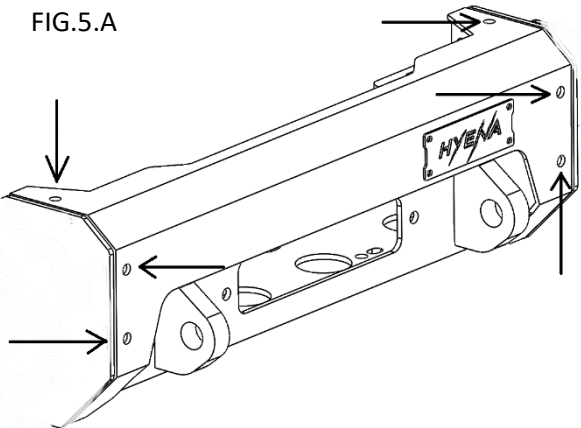


FIG.6.A

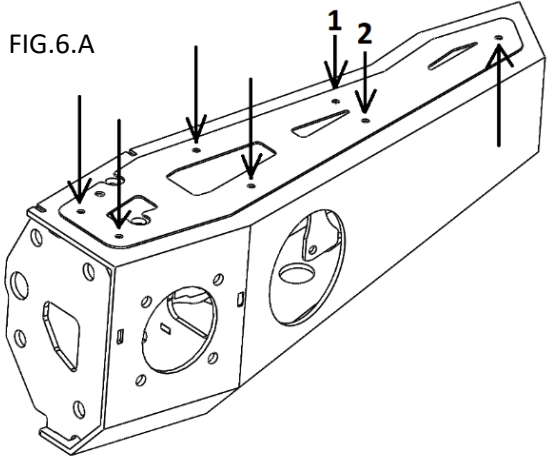


FIG.7.A

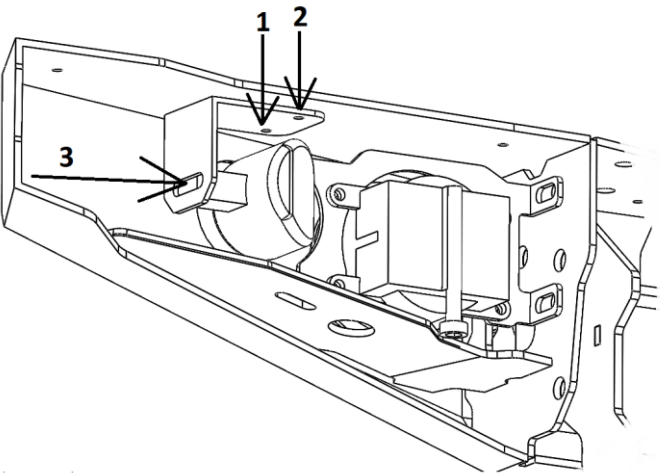


FIG.8.A

