

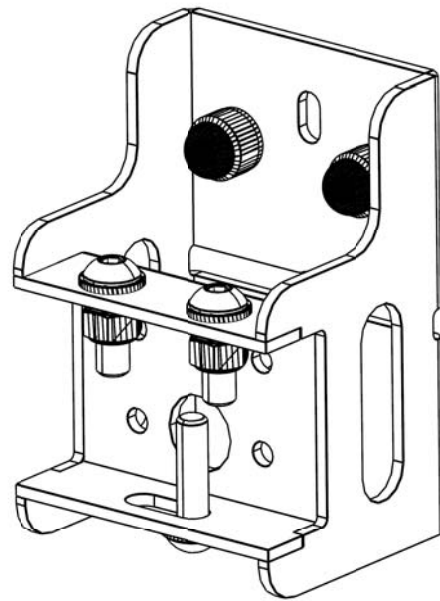
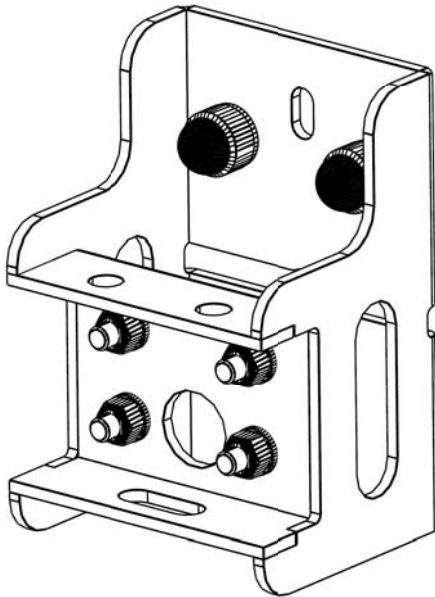


FRONT RUNNER EEZI - AWN SERIES 1000 / 2000 AWNING BRACKET

ENG

RRAC063

 INSTALL TIME: 15 mins



IMPORTANT WARNING!

IT IS CRITICAL THAT ALL FRONT RUNNER PRODUCTS BE PROPERLY AND SECURELY ASSEMBLED AND ATTACHED TO YOUR VEHICLE. IMPROPER ATTACHMENT COULD RESULT IN AN AUTOMOBILE ACCIDENT, AND COULD CAUSE SERIOUS BODILY INJURY OR DEATH TO YOU OR TO OTHERS. YOU ARE RESPONSIBLE FOR ASSEMBLING AND SECURING ALL FRONT RUNNER PRODUCTS TO YOUR VEHICLE, CHECKING THE ATTACHMENTS PRIOR TO USE, AND PERIODICALLY INSPECTING THE PRODUCTS FOR ADJUSTMENT, WEAR, AND DAMAGE. THEREFORE, YOU MUST READ AND UNDERSTAND ALL OF THE INSTRUCTIONS AND CAUTIONS SUPPLIED WITH YOUR FRONT RUNNER PRODUCT PRIOR TO INSTALLATION OR USE. IF YOU DO NOT UNDERSTAND ALL OF THE INSTRUCTIONS AND CAUTIONS, OR IF YOU HAVE NO MECHANICAL EXPERIENCE AND ARE NOT THOROUGHLY FAMILIAR WITH THE INSTALLATION PROCEDURES, YOU SHOULD HAVE THE PRODUCT INSTALLED BY A PROFESSIONAL INSTALLER OR OTHER QUALIFIED PERSONNEL.

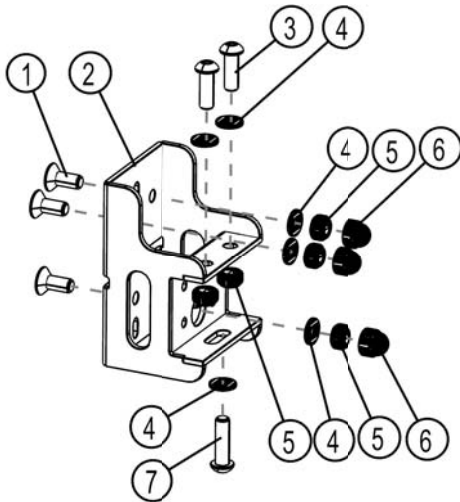
1 GET ORGANIZED



Note: Not all the fasteners supplied will be used and will vary depending on the fitment.

SLIMLINE II RACK (STEPS 2A-F)

Here is what you are looking at:



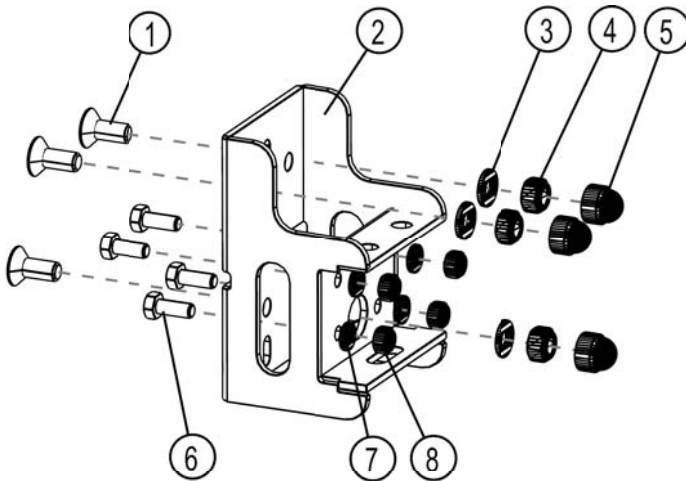
You will need:

- 10 mm Flat and Socket Wrench
- 13 mm Flat and Socket Wrench
- 5 mm Hex Key
- Ladder
- Friend

Item #	Quantity	Description
1	6	M8 x 25 COUNTERSUNK BOLT
2	2	AWNING BRACKET
3	4	M8 x 25 BUTTON HEAD BOLT
4	12	M8 FLAT WASHER
5	10	M8 NYLOC NUT
6	6	M8 NUT CAP
7	2	M8 x 30 BUTTON HEAD BOLT

SLIMLINE RACK (STEPS 3A-F)

Here is what you are looking at:



You will need:

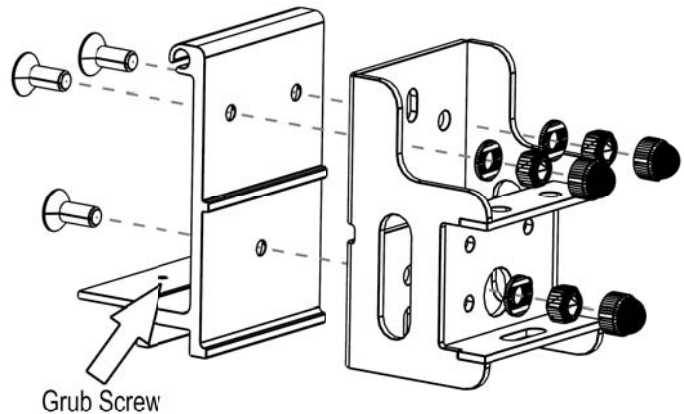
- 10 mm Flat and Socket Wrench
- Drill machine
- 6.5 mm Drill Bit
- Scriber or suitable marking device
- Ladder
- Friend

Item #	Quantity	Description
1	6	M8 x 25 COUNTERSUNK BOLT
2	2	AWNING BRACKET
3	6	M8 FLAT WASHER
4	6	M8 NYLOC NUT
5	6	M8 NUT CAP
6	8	M6 x 16 HEX BOLT
7	8	M6 FLAT WASHER
8	8	M6 NYLOC NUT

(A) Familiarize yourself with the parts and then step away from the work area and read through these instructions from beginning to end. Take a moment as a little prep now may save you a lot of time later.

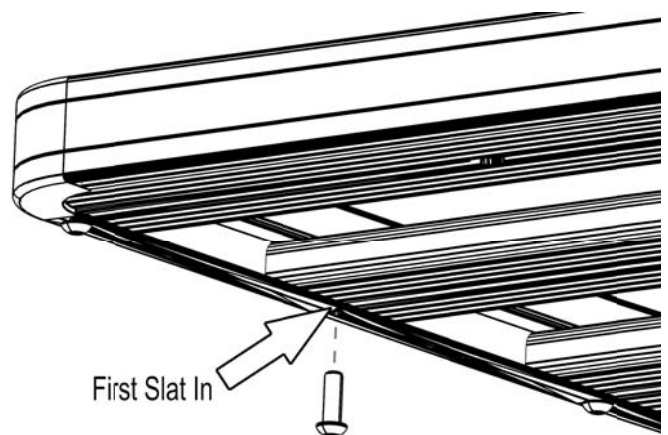
2 INSTALL AWNING BRACKETS TO SLIMLINE II RACK

- (A) Assemble the Adapter Bracket received with your awning to the Front Runner Eezi-Awn Bracket (Item 2) using the M8 x 25 Countersunk Bolts, M8 Flat Washers, and M8 Nyloc Nuts (Items 1, 4, 5) as shown. Once secure, place a M8 Nut Cap (Item 6) over each of the Nyloc Nuts.

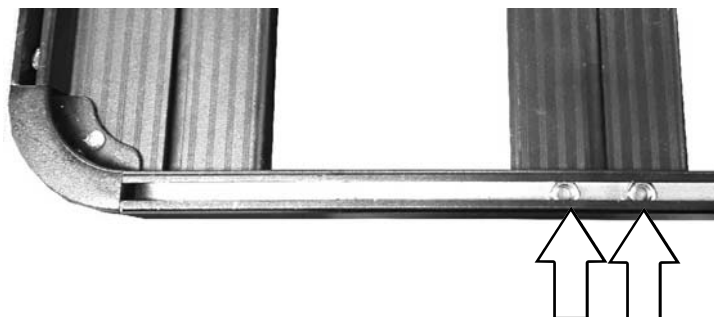
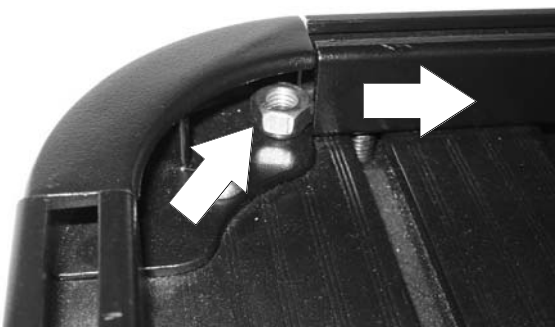


- (B) Slide the two Bracket Assemblies from Step 2A onto the back of the awning.

- (C) Decide on which side of your Rack you would like to Mount your awning. Working underneath the rack on the chosen side, remove the M8 Button Head Bolt from the first Slat in, front and rear. Keep the two bolts in a safe place should you require them in the future.



- (D) On the chosen side, slide two M8 Nyloc Nuts (Item 5) dome side down into the T-slot channel through the gaps in each corner of the Rack as shown. Slide the two Nyloc Nuts down the channel and line them up with the first Slat in either end.



2 INSTALL AWNING BRACKETS TO SLIMLINE II RACK CONT...

- (E) Measure the distance between the centers of the two Slats from Step 2D and space the Mounting Bracket Assemblies fitted to the awning in Step 2B accordingly.

With the help of a friend, position the awning onto the side of the Rack. Working from underneath, position the Awning Brackets so that the mounting slot in the bottom of the Awning Bracket lines up with the bolt hole from Step 2A. Secure the Brackets to the Rack using the two M8 x 30 Button Head Bolts and two M8 Flat Washers (Items 4 & 7) supplied.

Working from the top of the Rack, line up the four Nyloc Nuts inserted in Step 2D with the mounting holes in the top of the Bracket. Secure the top of the Brackets to the Rack using four M8 Flat Washers and four M8 x 25 Button Head Bolts (Items 3 & 4).

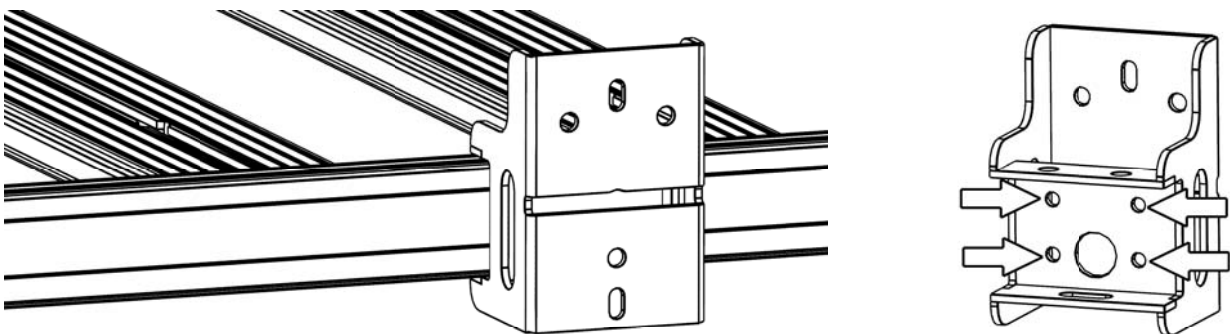
Adjust the awning front to back as required and fasten the grub screw found underneath the adapter bracket (Refer to Step 2A).

- (F) Congratulations, you have completed your installation. Take a step back and admire your work. Good Job!

3 INSTALL AWNING BRACKETS TO SLIMLINE RACK

- (A) Decide which side of the Slimline Rack you would like to install the Awning.

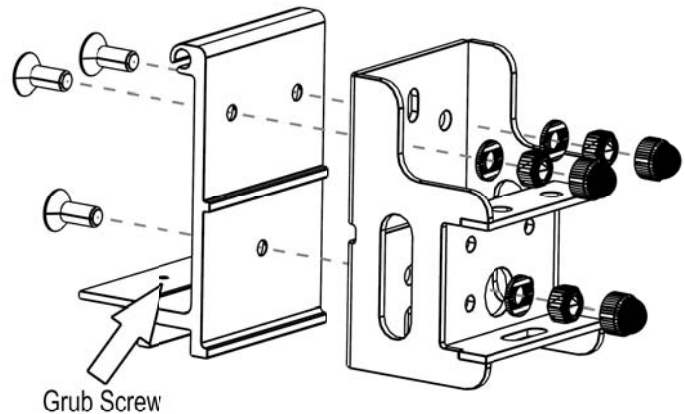
On the chosen side, place the two Awning Brackets (Item 2) on either end of the Rack. The Brackets must sit between two slats. Using a scribe, mark the position of the holes, as indicated by the arrows, onto the Rack and remove the Brackets.



- (B) Drill a 6.5 mm hole on each marked positions.

3 INSTALL AWNING BRACKETS TO SLIMLINE RACK CONT...

- (C) Assemble the Adapter Bracket received with your awning to the Front Runner Eezi-Awn Bracket (Item 2) using the M8 x 25 Countersunk Bolts, M8 Flat Washers, and M8 Nyloc Nuts (Items 1, 3, 4) as shown. Once secure, place a M8 Nut Cap (Item 5) over each of the Nyloc Nuts.



- (D) Slide the two Bracket Assemblies from Step 3C onto the back of the awning.

- (E) Measure the distance between the centers of the two sets of holes drilled in Step 3B and space the Mounting Bracket Assemblies fitted to the awning in Step 2D accordingly.

With the help of a friend, position the awning onto the side of the Rack, lining up the four holes in the Awning Brackets with the holes drilled Step 3B. Secure the Brackets to the Rack using the M6 x 16 Hex Bolts, M6 Flat Washers and M6 Nyloc Nuts (Items 6, 7, 8) supplied.

Adjust the awning front to back as required and fasten the grub screw found underneath the adapter bracket (Refer to Step 2C).

- (F) Congratulations, you have completed your installation. Take a step back and admire your work. Good Job!

4 INSTALL OTHER VEHICLE AND RACK ACCESSORIES

- (A) Now's the time to visit your favourite Front Runner dealer in person or online.