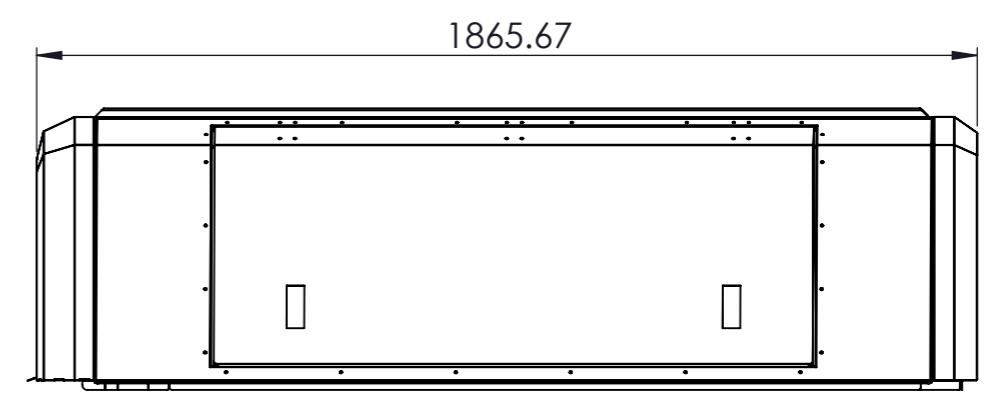
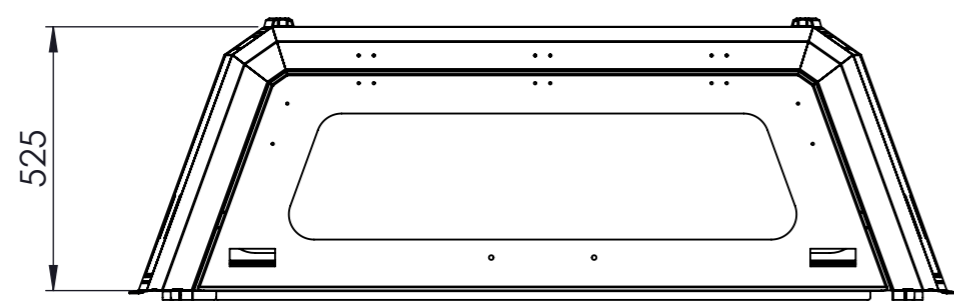
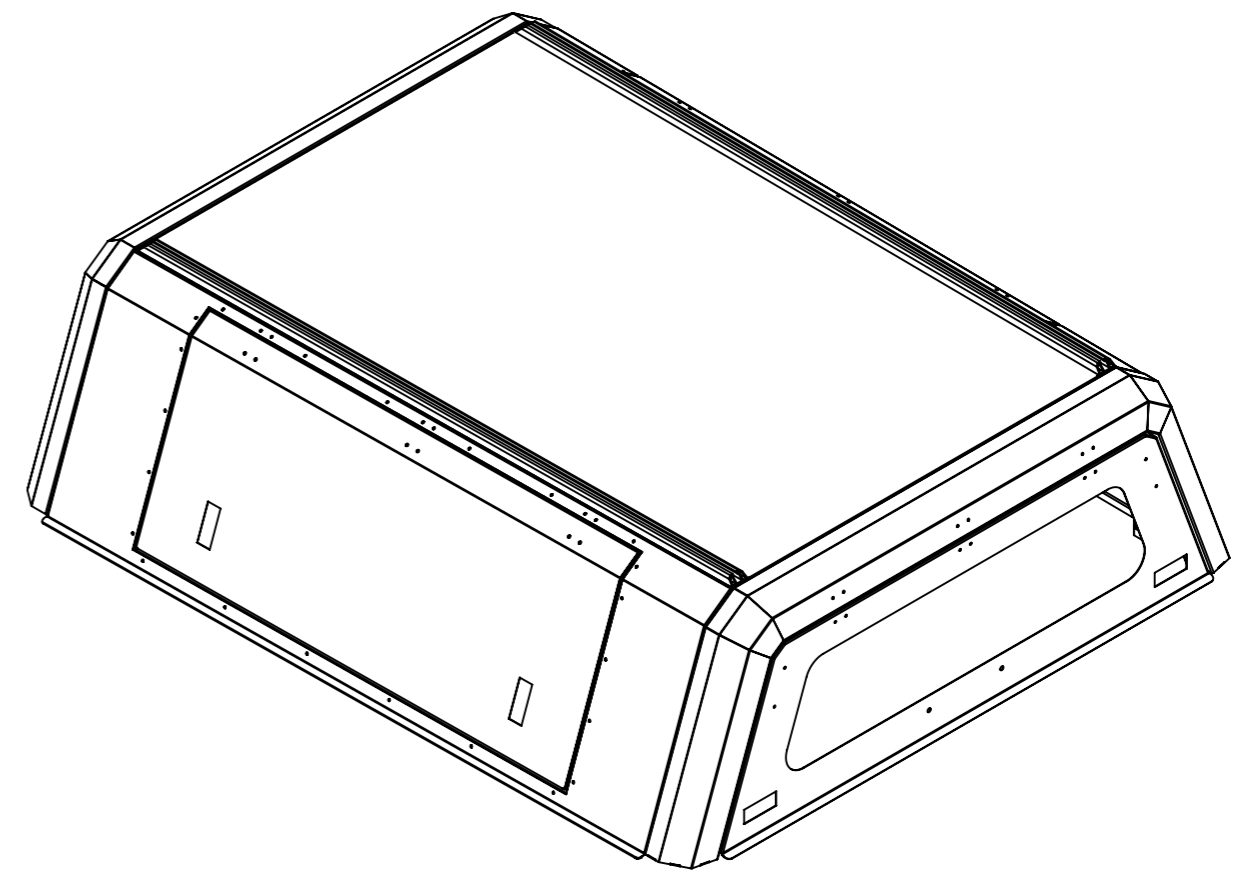
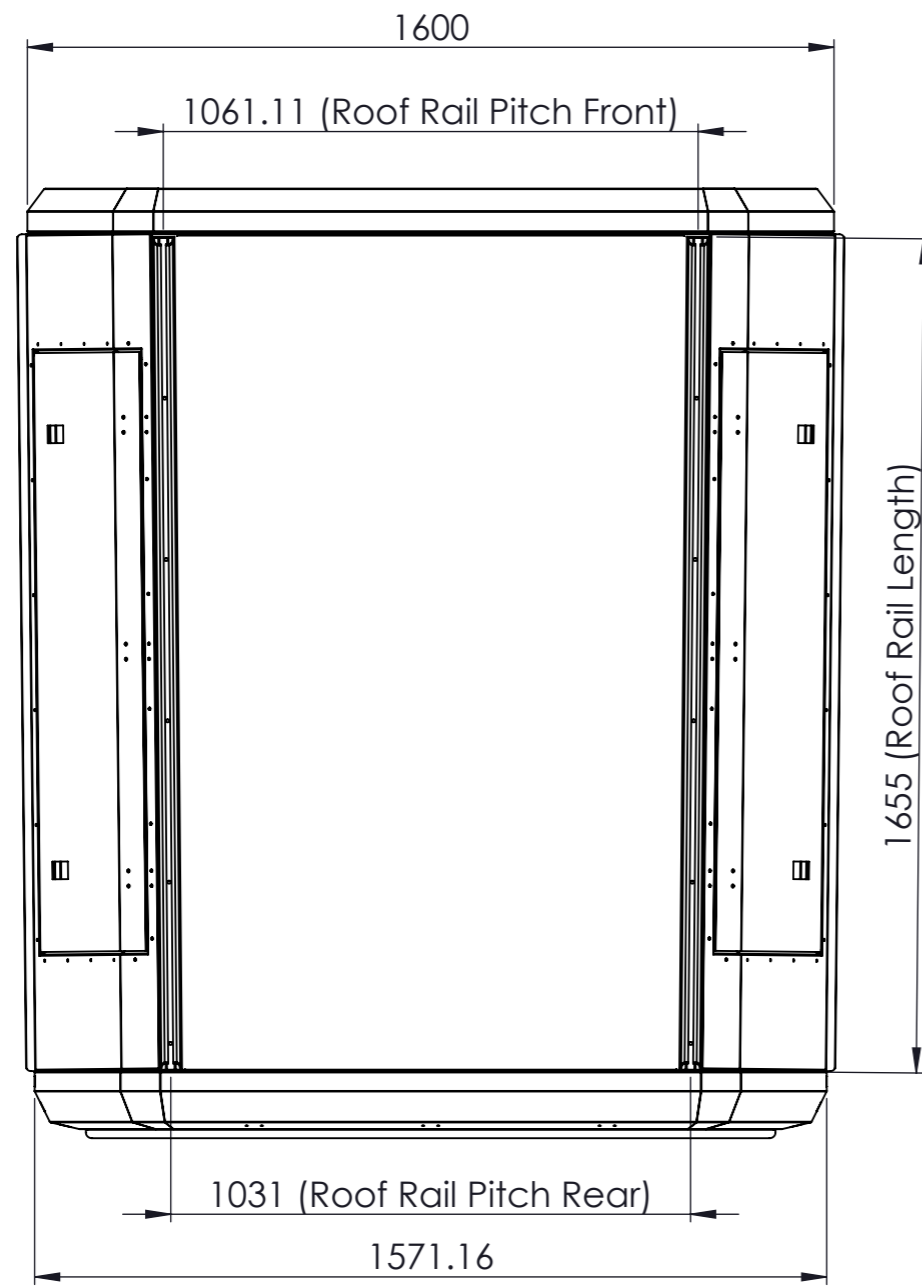



12 11 10 9 8 7 6 5 4 3 2 1

H
G
F
E
D
C
B
A



Material Grade	409 Stainless Steel
Material Thickness	1.2mm; 1.5mm; 2mm
Paint Finish	2K Automotive Grade Baked
Weight	95kg
Dynamic Load Rating	150kg
Static Load Rating	350kg

ROCK SOLID INDUSTRIES IS THE OWNER OF THIS/THESE DRAWING/S. IT MAY NOT BE COPIED, LOANED OR DISCLOSED TO OTHERS WITHOUT THE WRITTEN CONSENT OF RSI	Designed by	Checked by	Approved by	Approved Date	Creation Date
	M. DREYER				
	Drawing Title 2016 Toyota Hilux X/C				
 ROCK SOLID INDUSTRIES	12 SUZUKA ROAD WESTMEAD 4001 SOUTH AFRICA www.rocksolidindustries.co.za	RSI SmartCanopy		Edition	Sheet

12 11 10 9 8 7 6 5 4 3 2 1