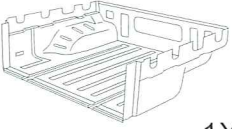
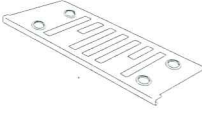


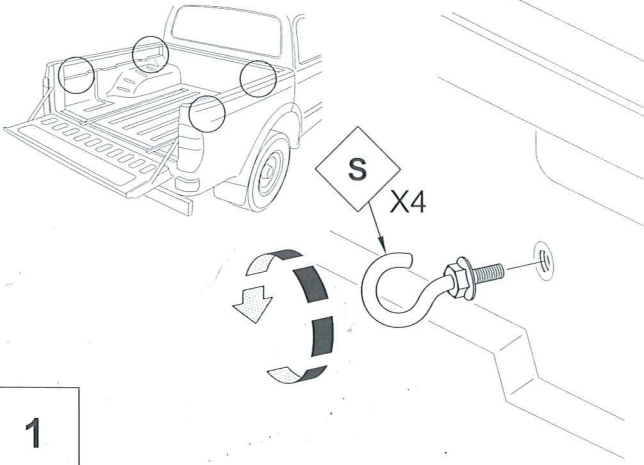




## NISSAN ST-X 2005+ UNDER-RAIL, FITTING KIT (K39)

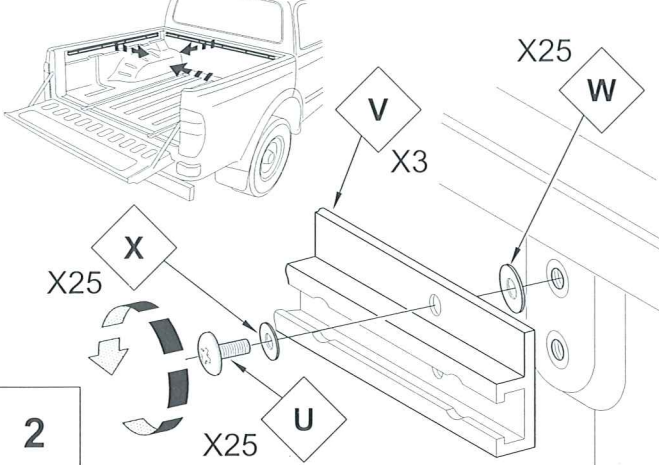
<p><b>A</b></p>  <p>1X</p>	<p><b>B</b></p>  <p>1X</p>	<p><b>C</b></p>  <p>11X</p>	<p><b>D</b></p>  <p>6X</p>	<p>◇ = EXISTING PART ○ = NEW PART</p>
-------------------------------------------------------------------------------------------------------------	-------------------------------------------------------------------------------------------------------------	--------------------------------------------------------------------------------------------------------------	--------------------------------------------------------------------------------------------------------------	-------------------------------------------

**1**



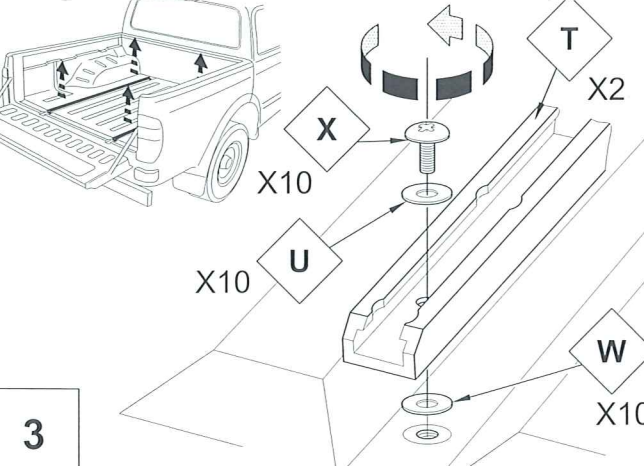
S X4

**2**



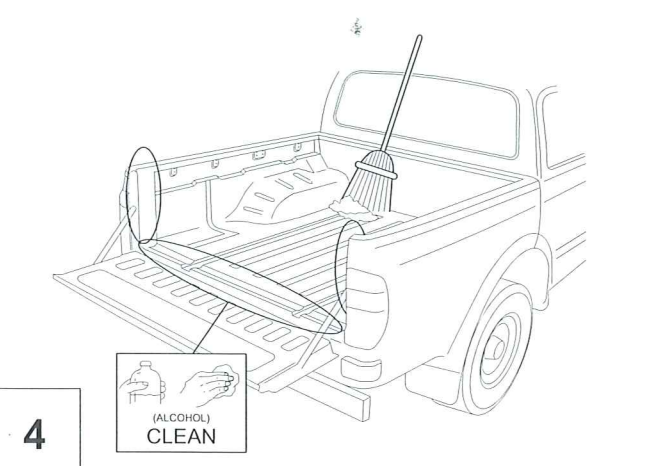
V X3  
W X25  
U X25  
X X25

**3**



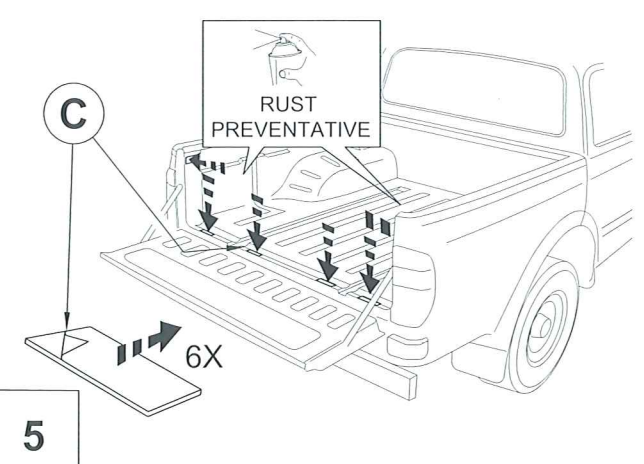
T X2  
X X10  
U X10  
W X10

**4**



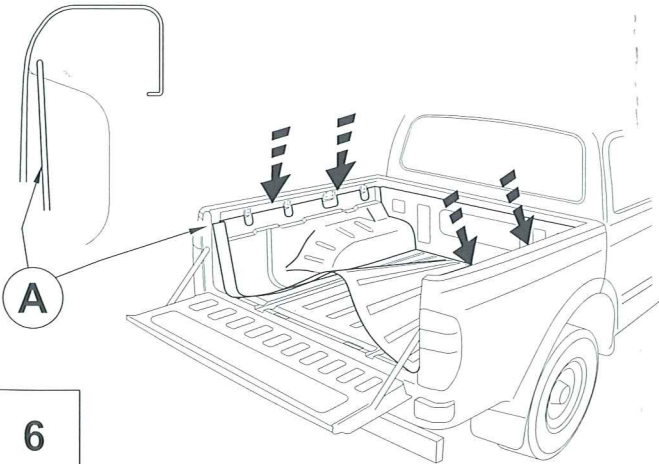
(ALCOHOL)  
CLEAN

**5**



C  
RUST PREVENTATIVE  
6X

**6**



A

