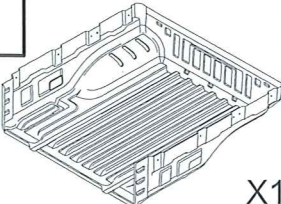


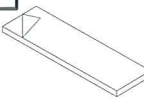



PROFORM

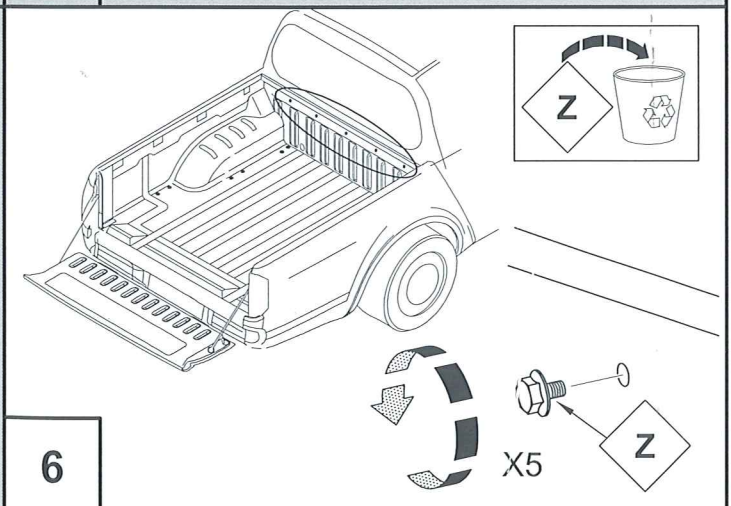
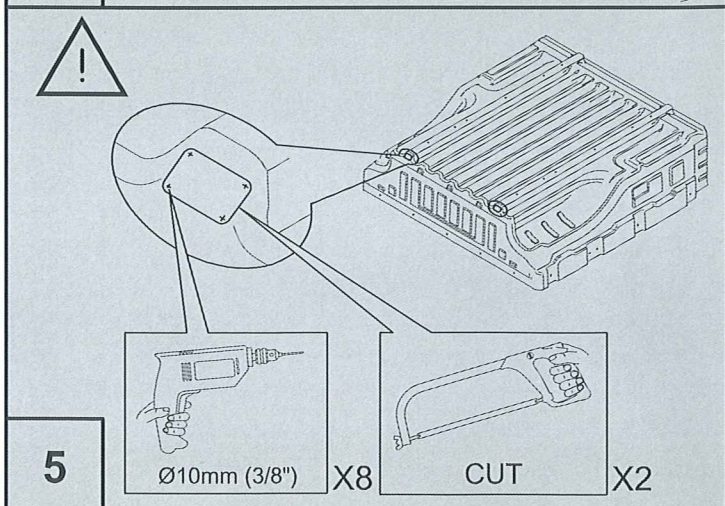
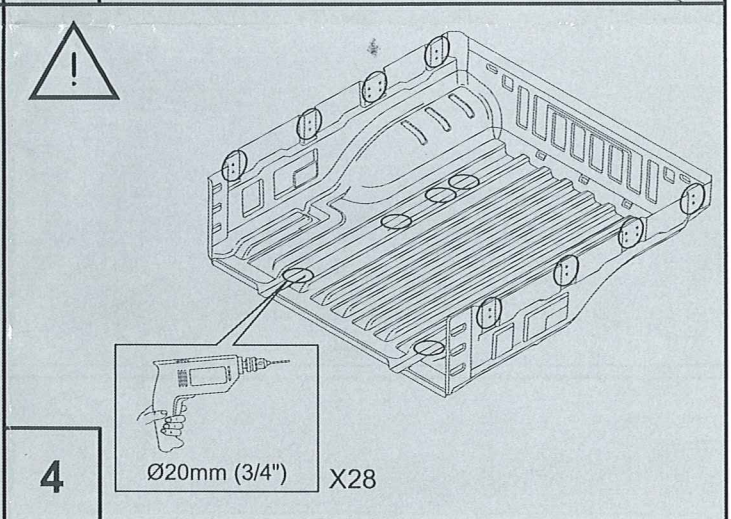
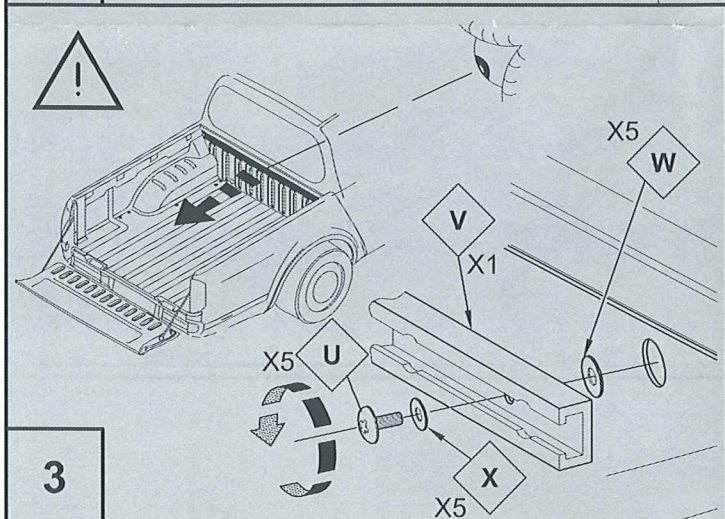
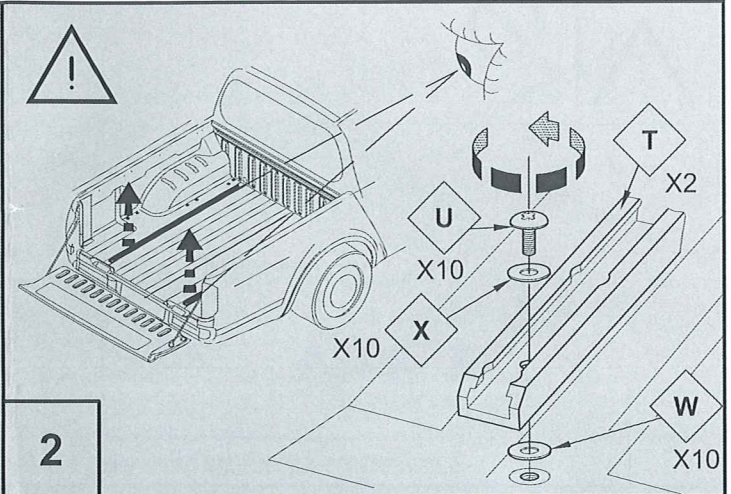
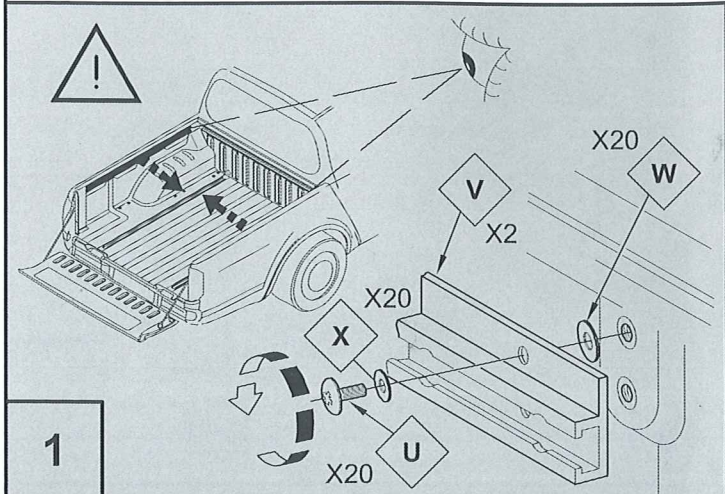
K523-Nissan-Navara Extended-2010-General Use-DC-UR

A  X1	B  X1	C  Pan Pozi 14x3/4" X4	D  X16	E  M8x16mm X5
---	---	--	--	---

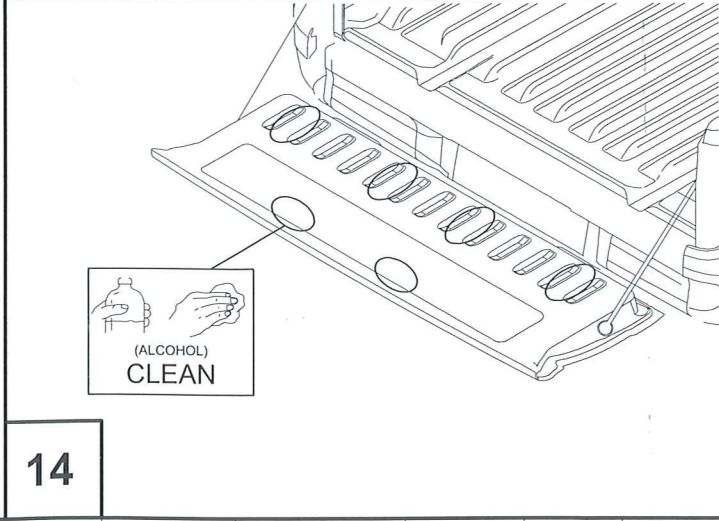
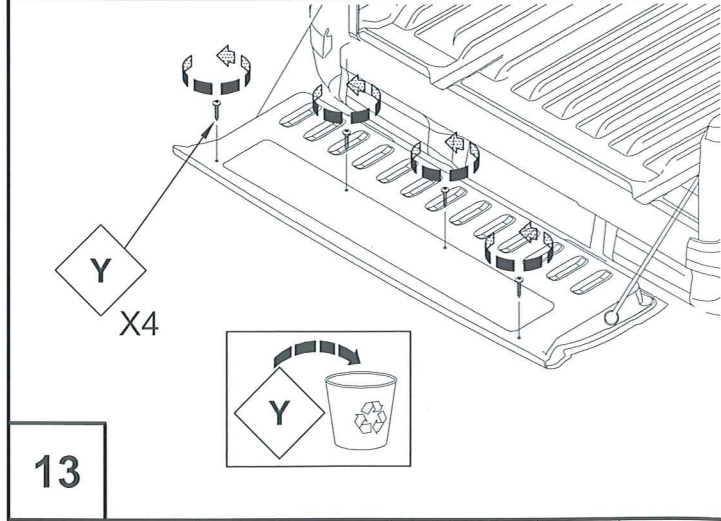
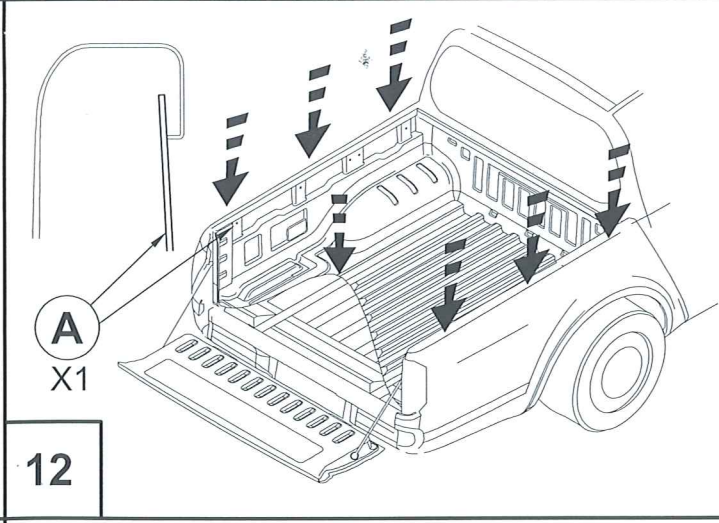
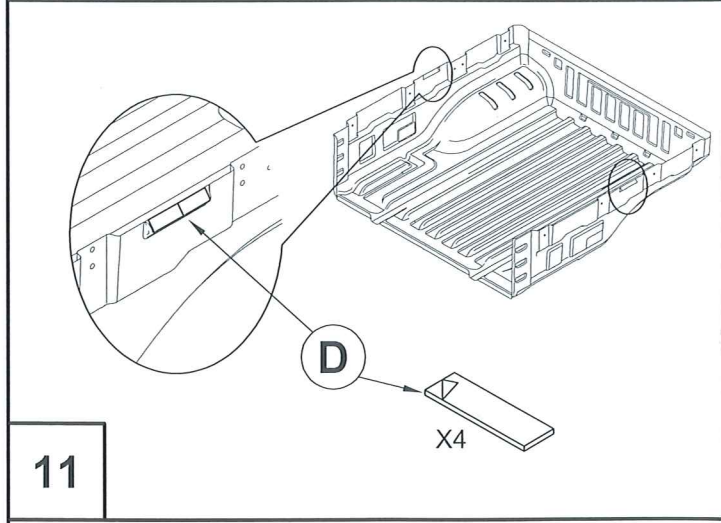
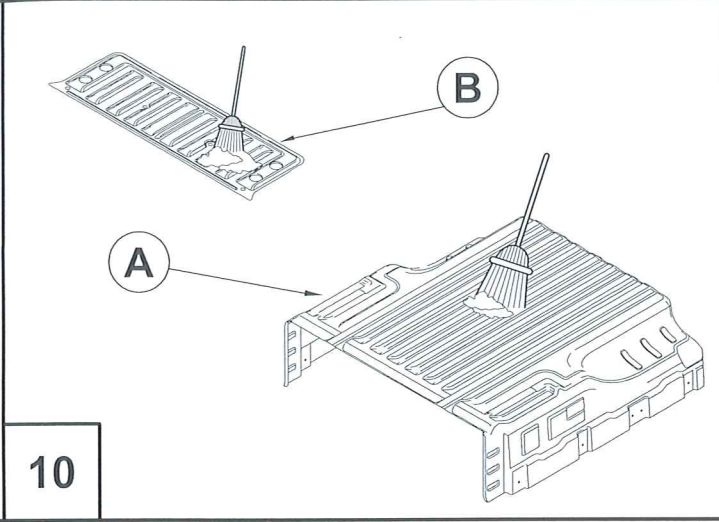
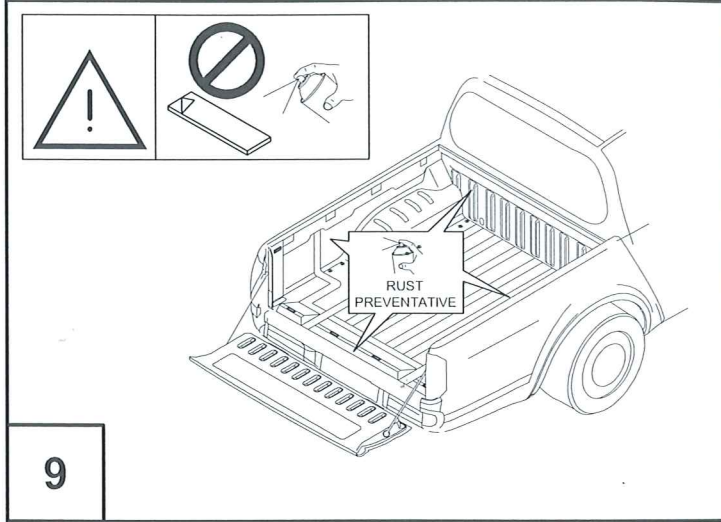
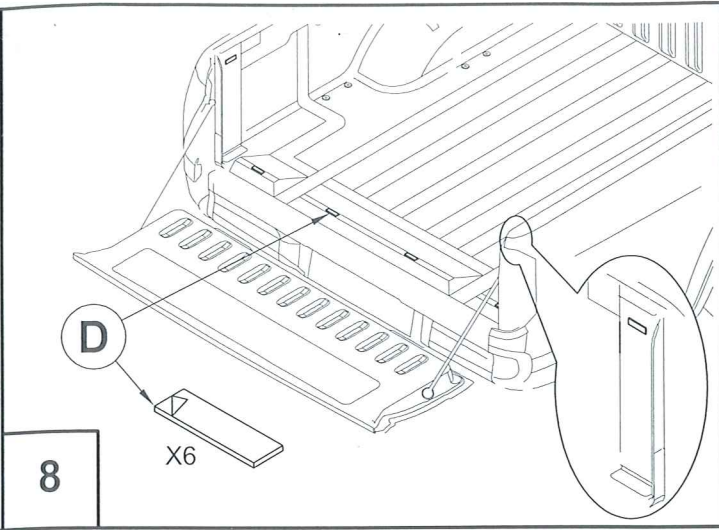
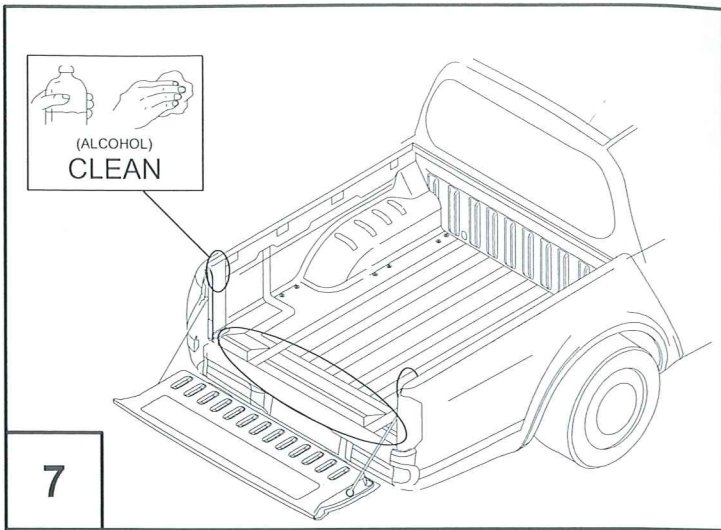
◊ = EXISTING PART

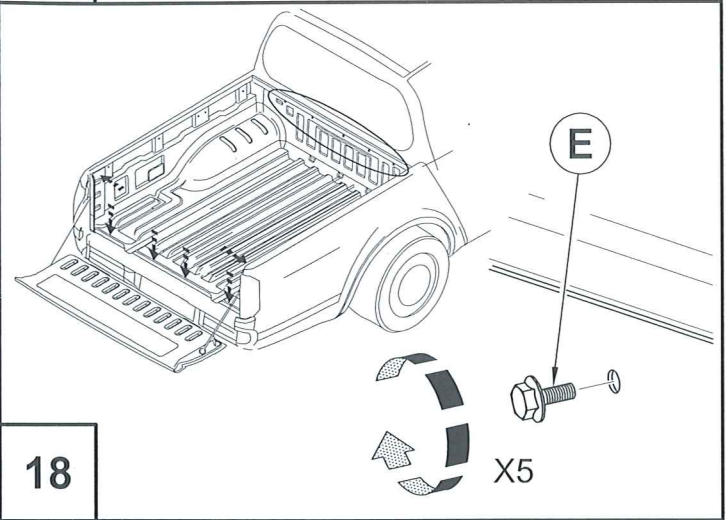
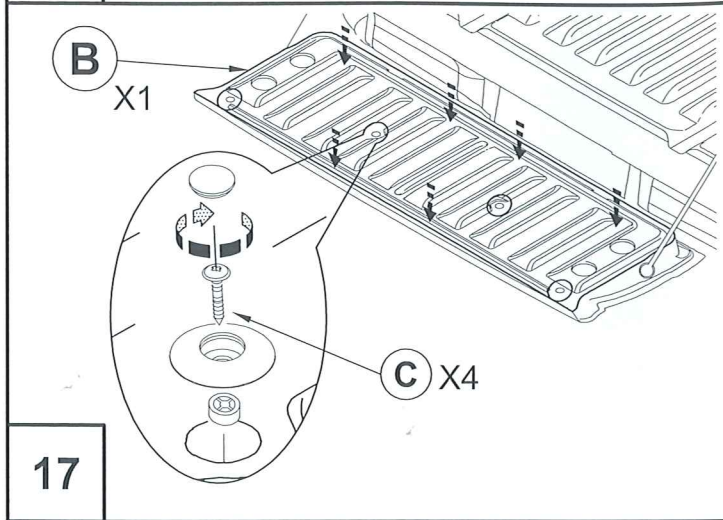
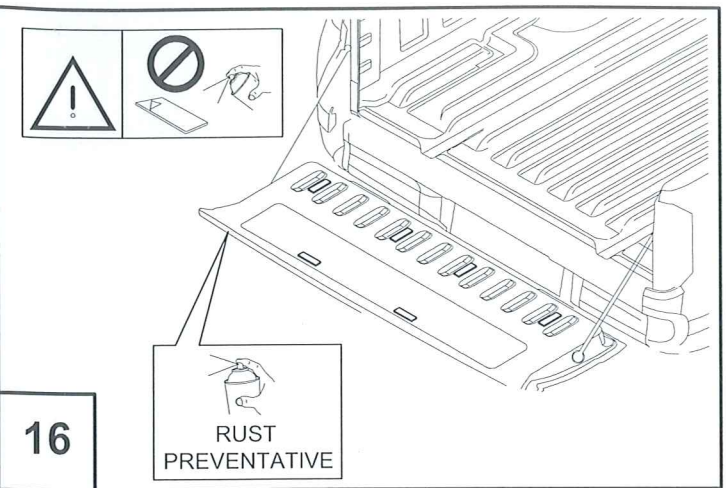
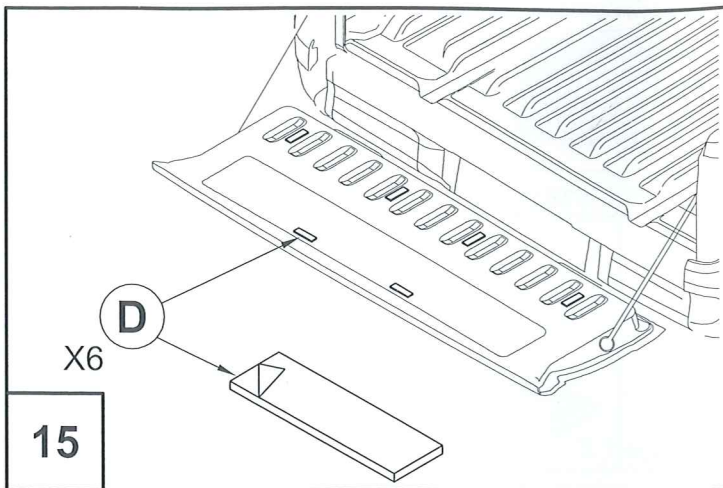
○ = NEW PART

⚠ IF VEHICLE IS FITTED WITH C-CHANNEL TIE DOWN SYSTEM START AT STEP 1. IF NOT, PROCEED TO STEP 6

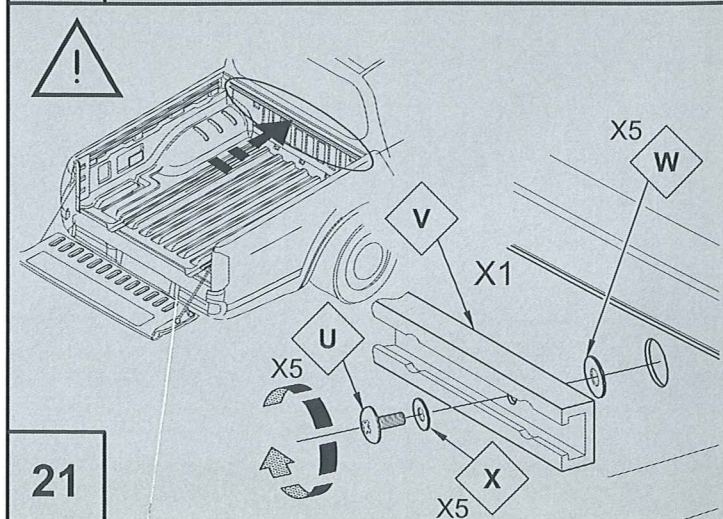
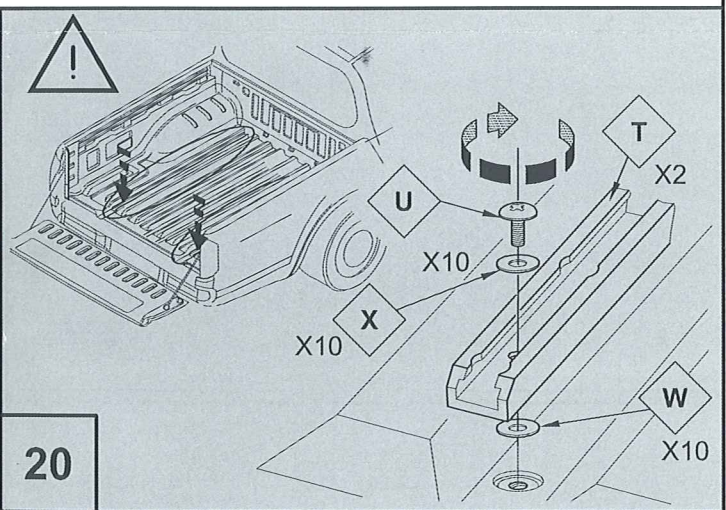
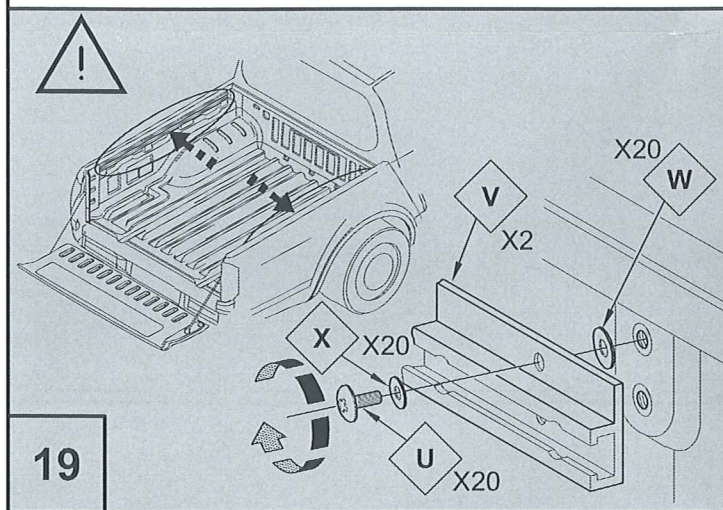


Fitting Kit Number	Manufacturer	Model Type	Year	Customer	Cab Size	UR or OR	Revision	Date	Page
IDFK523	Nissan	Navara	2010	GENERAL USE	DC	Under Rail	2	23-2-11	1 of 3





STEPS FOR FITTING THE C-CHANNEL TIE DOWN SYSTEM BACK INTO VEHICLE



Fitting Kit Number	Manufacturer	Model Type	Year	Customer	Cab Size	UR or OR	Revision	Date	Page
IDFK523	Nissan	Navara	2010	GENERAL USE	DC	Under Rail	2	23-2-11	3 of 3