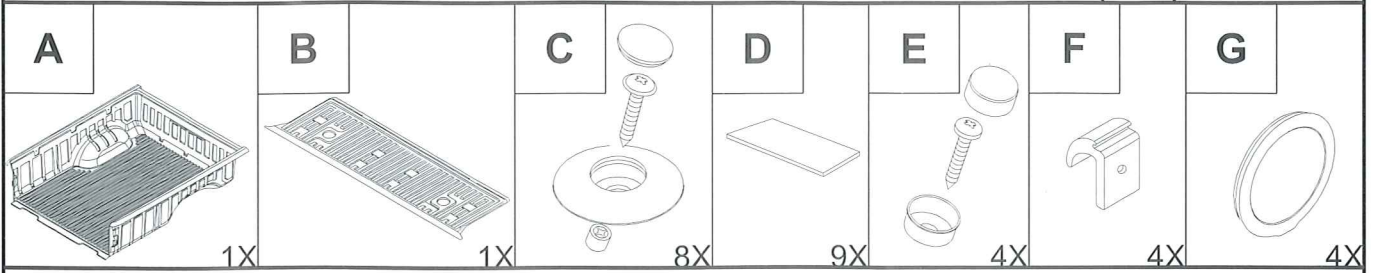
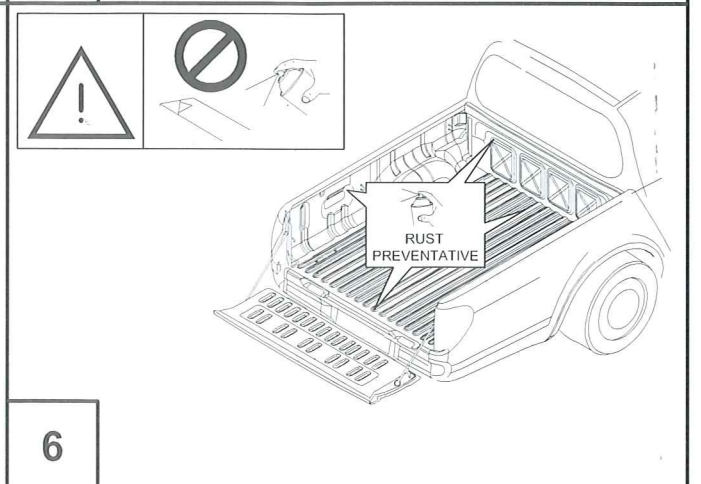
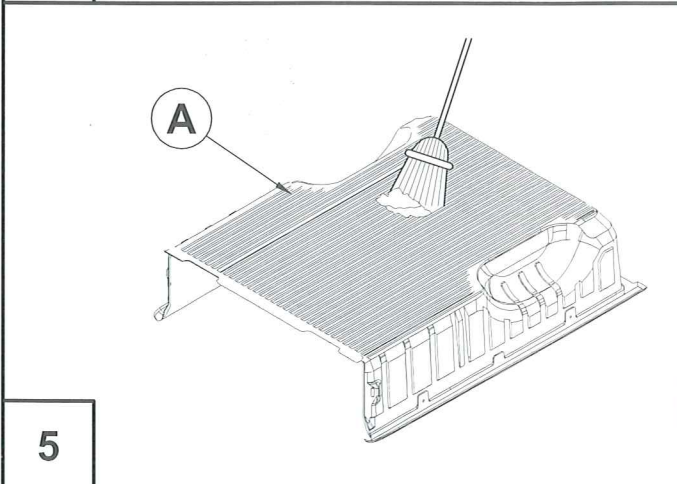
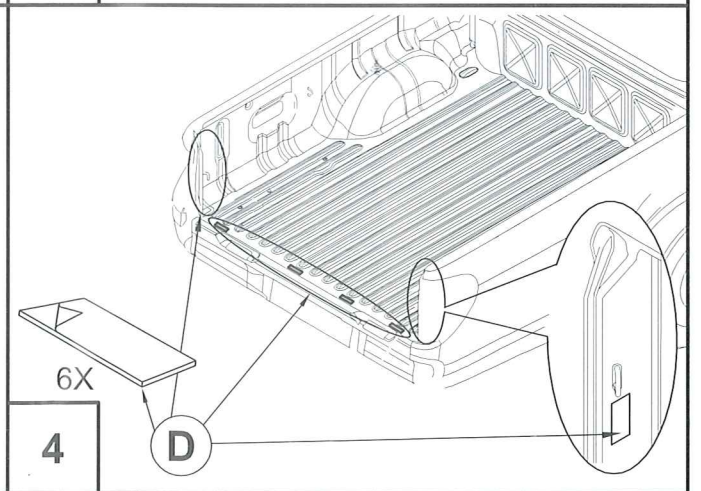
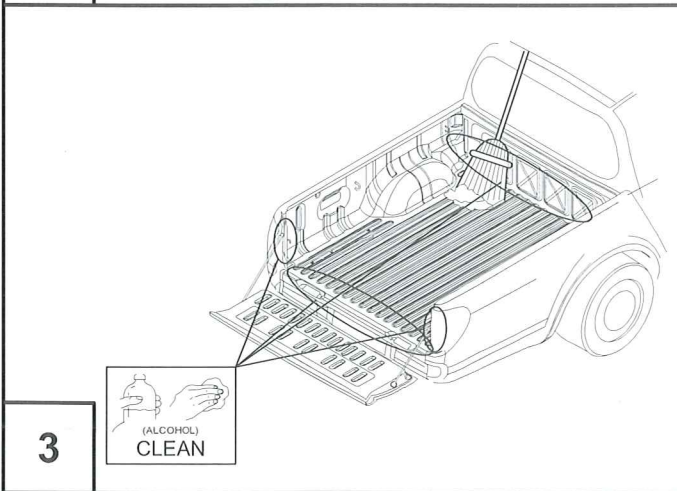
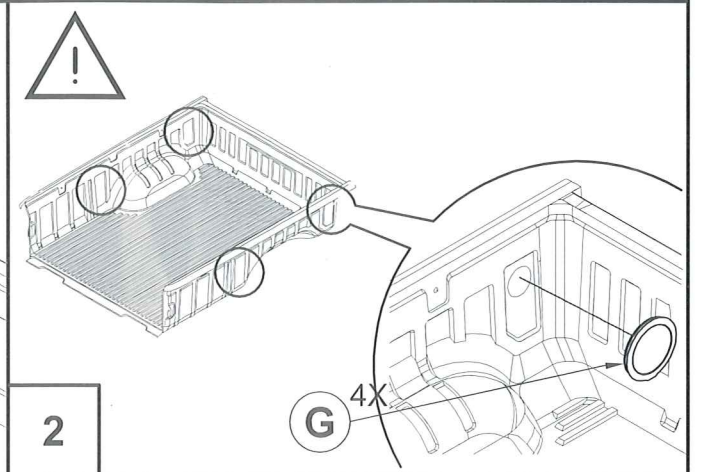
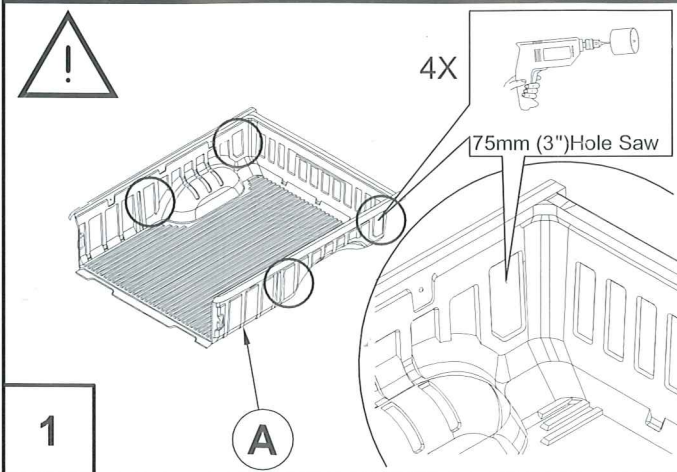




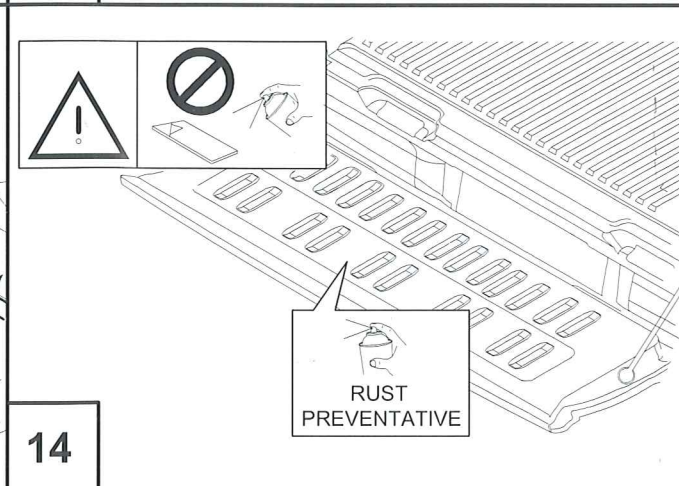
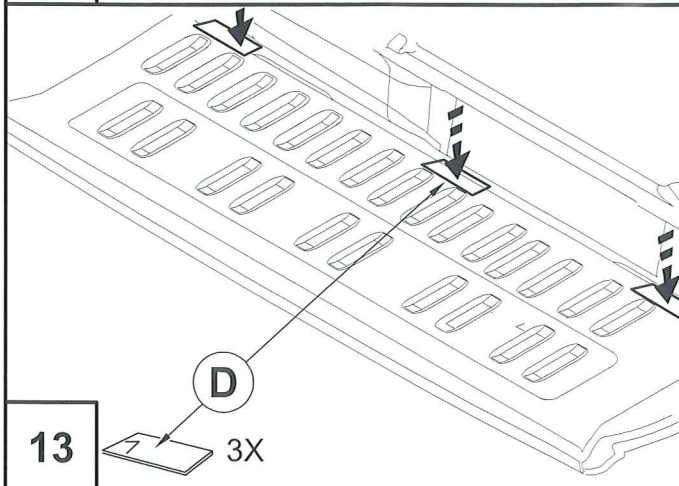
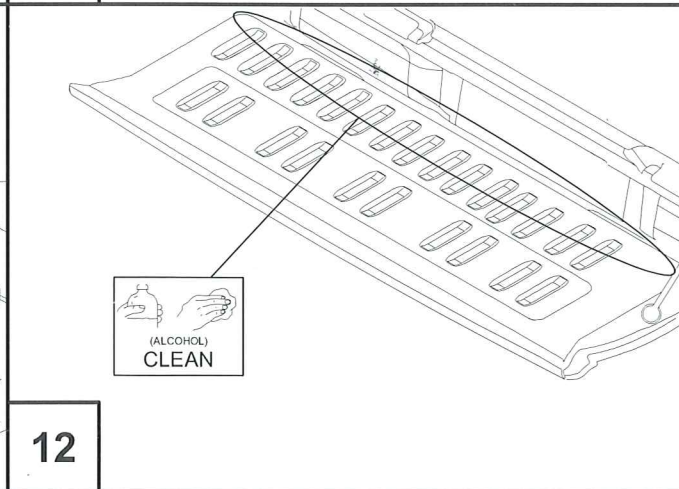
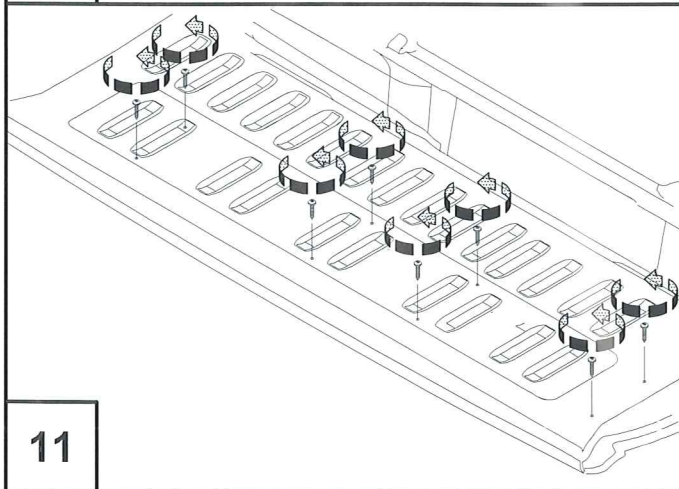
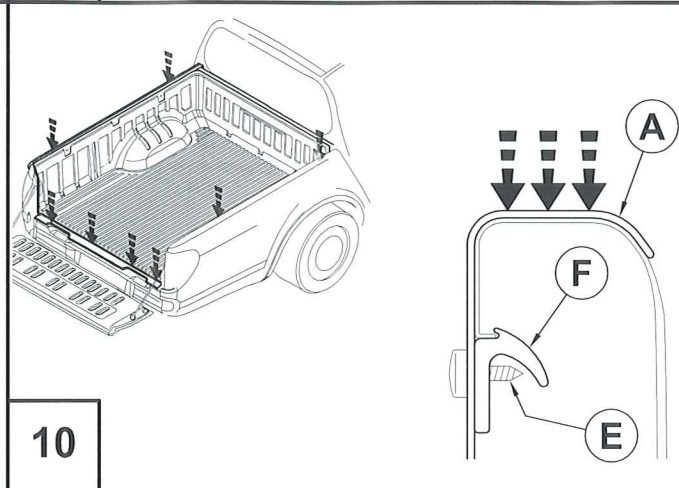
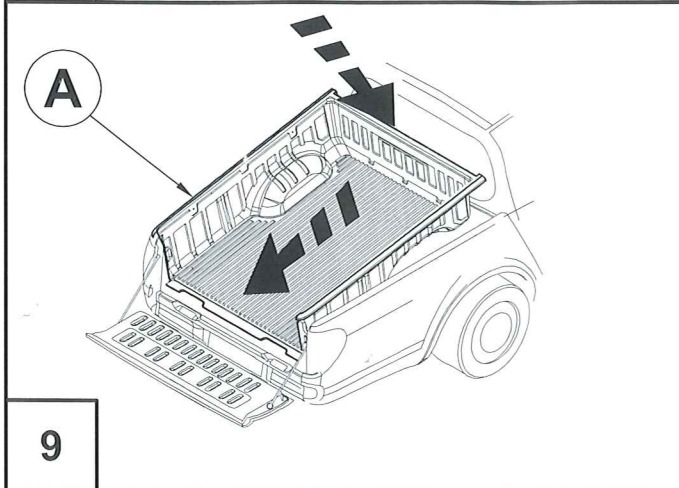
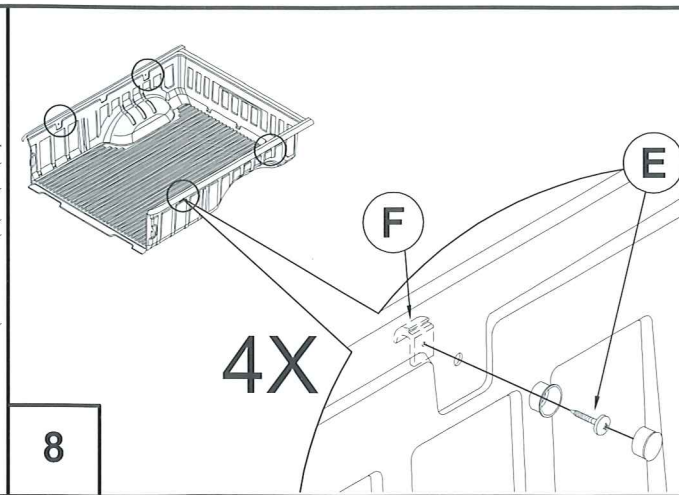
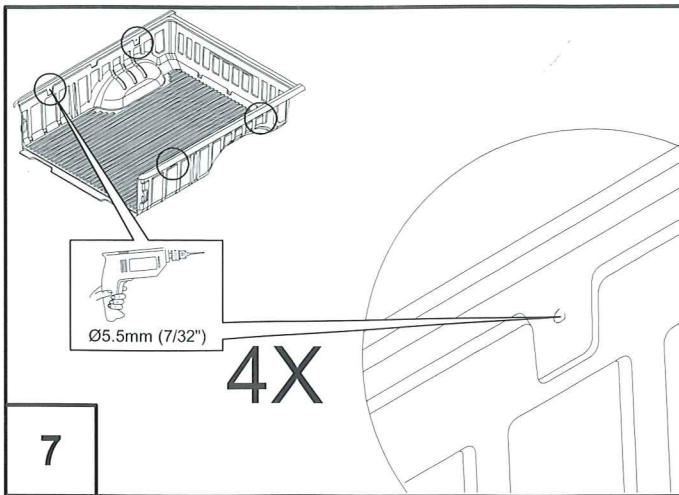
MITSUBISHI L200 EXTRA CAB OVER RAIL FITTING KIT (K98)



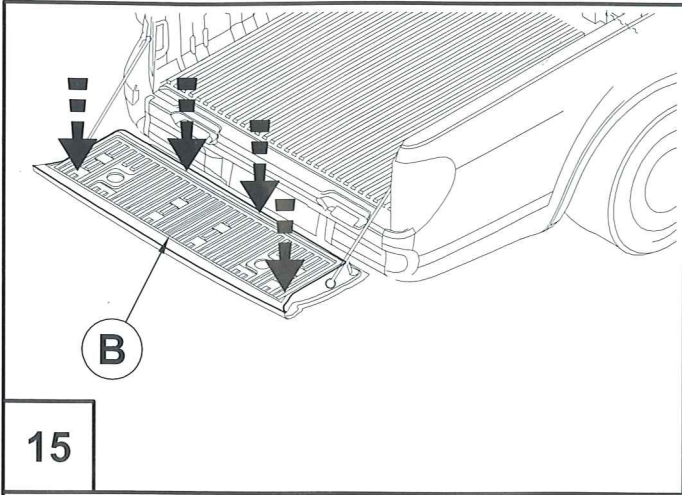
STEPS 1 AND 2 ARE OPTIONAL



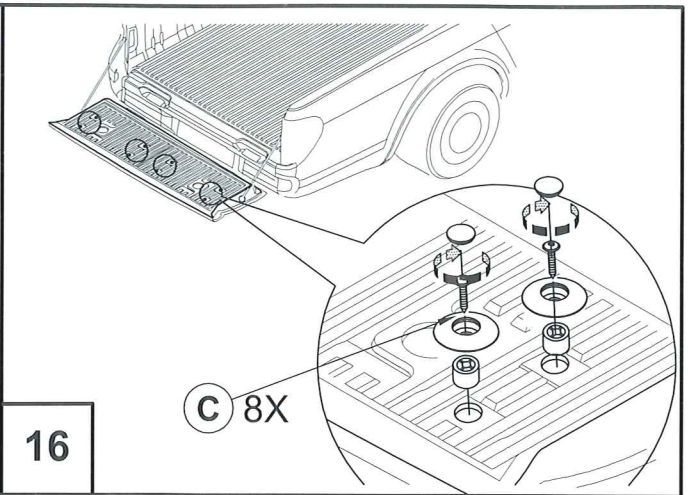
Fitting Kit Number	Manufacturer	Model Type	Year	Customer	Cab Size	UR or OR	Revision	Date	Page
IDFK98	Mitsubishi	L200	2009+	GENERAL USE	XC	Over Rail	2	22-01-10	1 of 3



Fitting Kit Number	Manufacturer	Model Type	Year	Customer	Cab Size	UR or OR	Revision	Date	Page
IDFK98	Mitsubishi	L200	2009+	GENERAL USE	XC	Over Rail	2	22-01-10	2 of 3



15



16

C 8X

Fitting Kit Number	Manufacturer	Model Type	Year	Customer	Cab Size	UR or OR	Revision	Date	Page
IDFK98	Mitsubishi	L200	2009+	GENERAL USE	XC	Over Rail	2	22-01-10	3 of 3