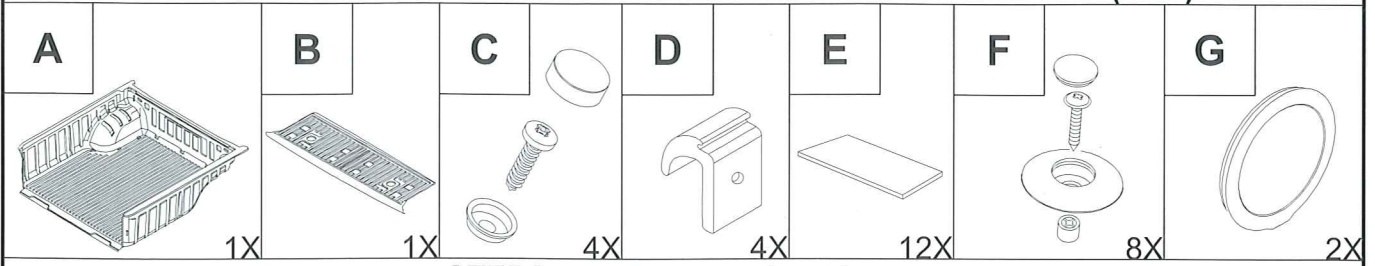
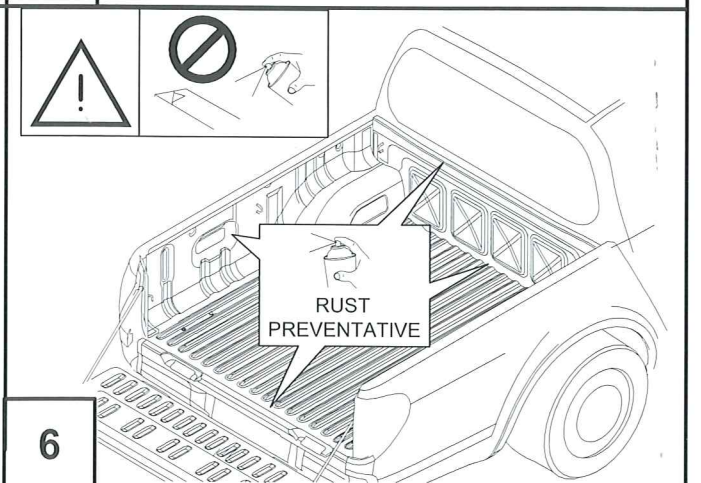
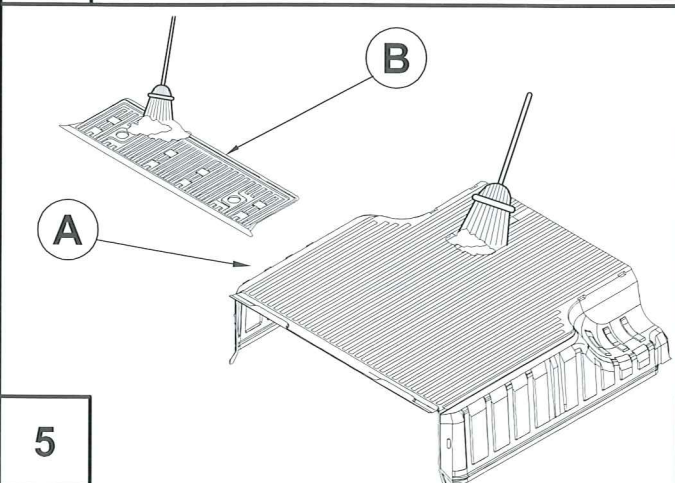
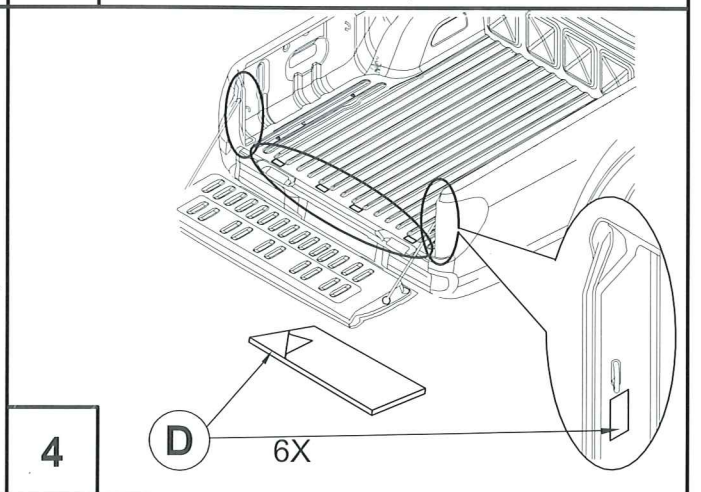
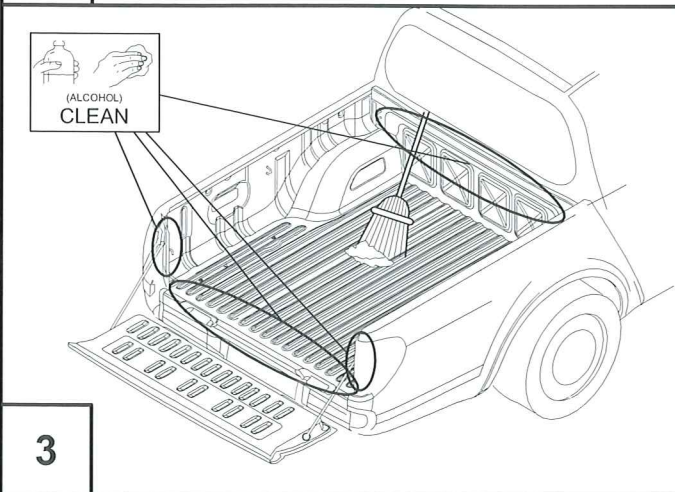
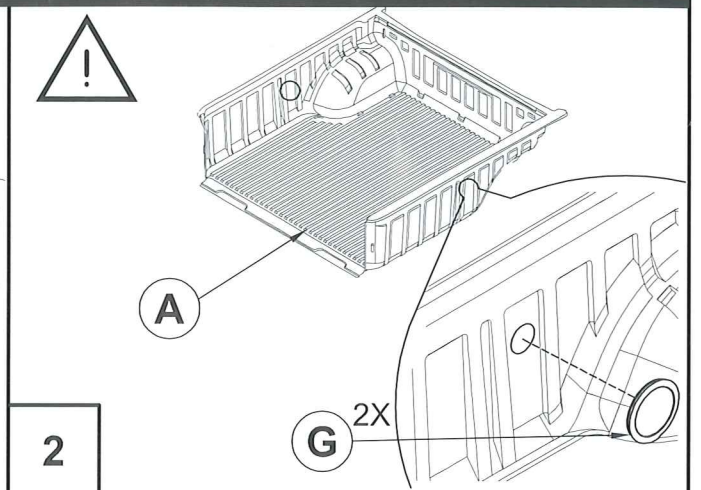
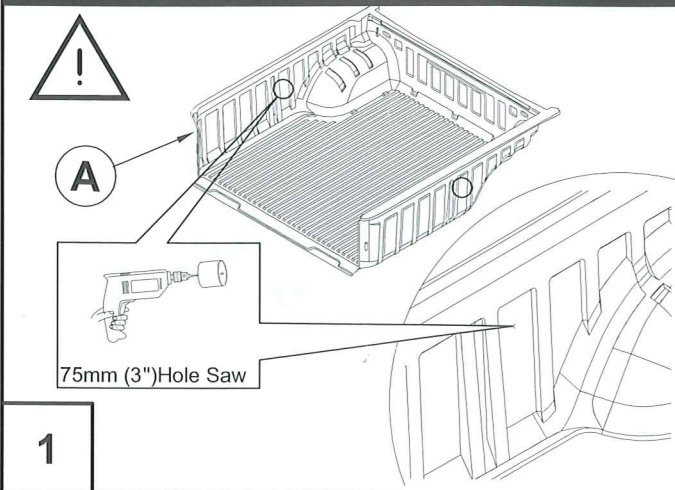




**MITSUBISHI L200 DOUBLE CAB OVER RAIL FITTING KIT (K95)**

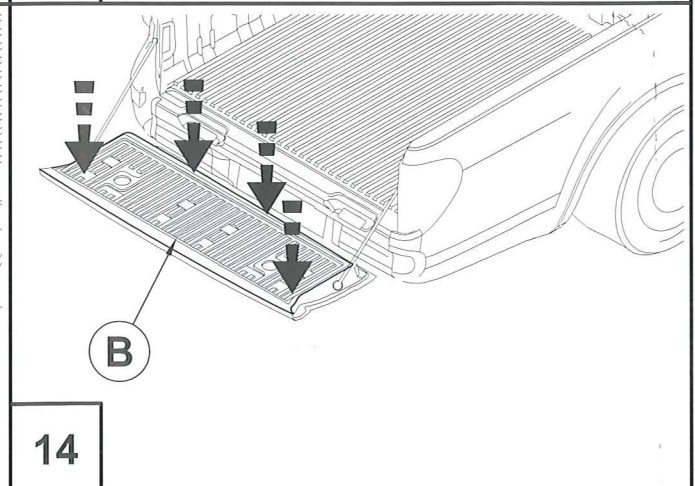
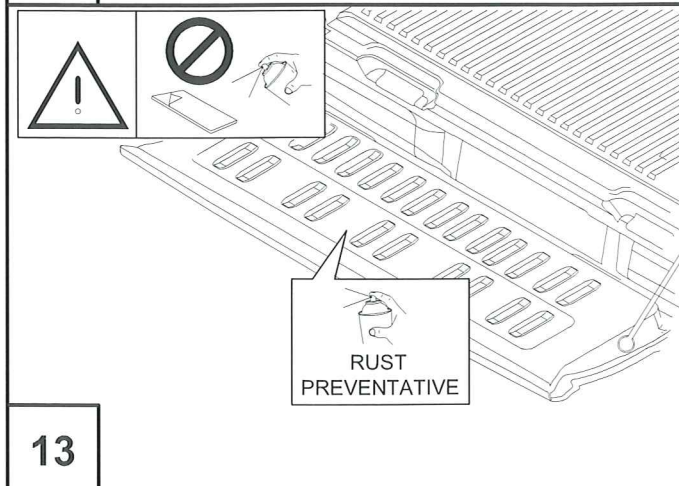
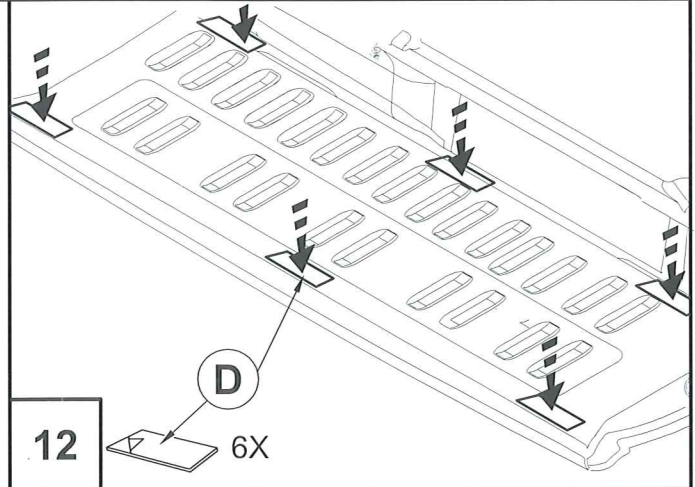
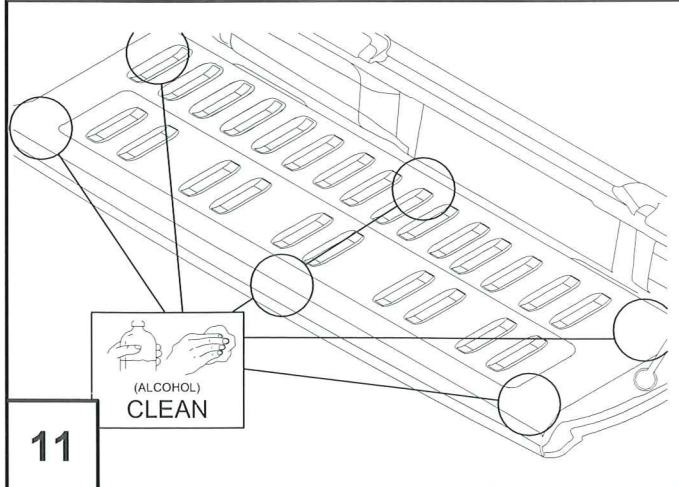
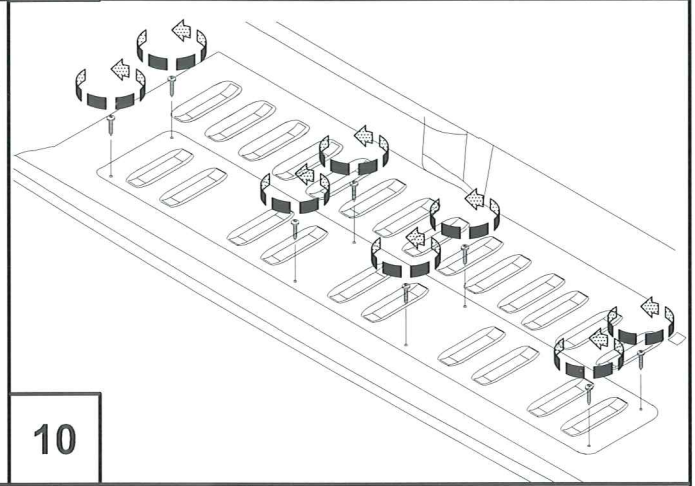
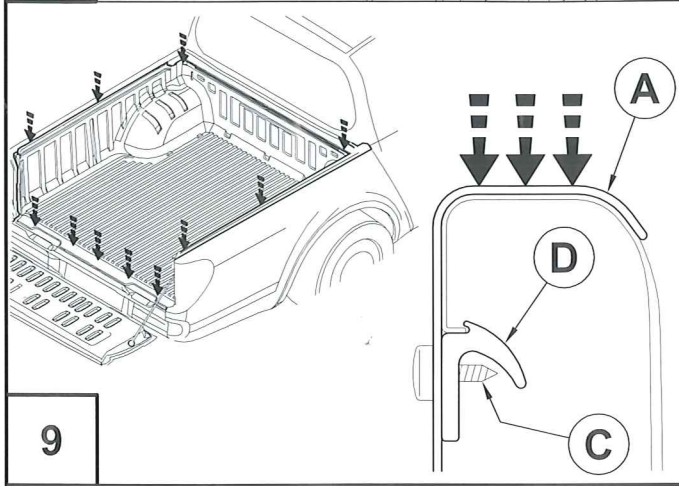
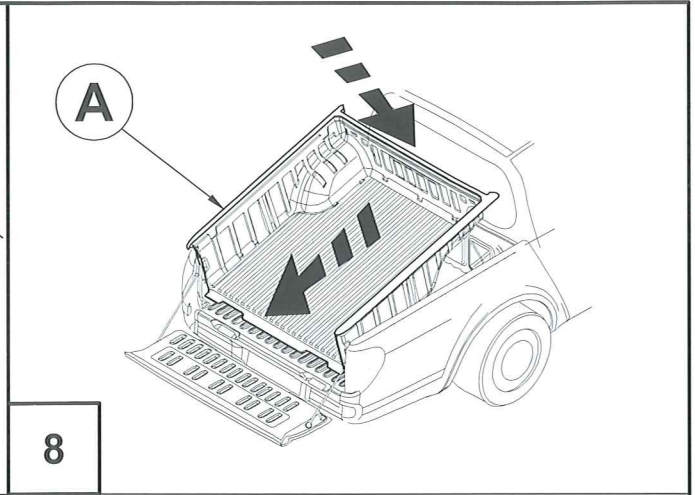
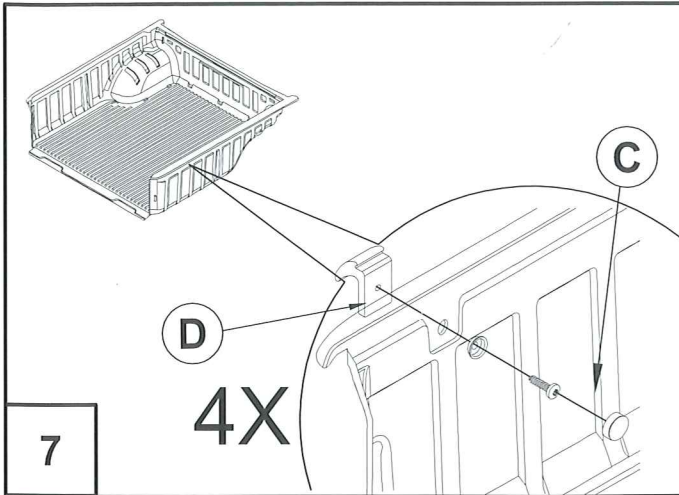


STEPS 1 AND 2 ARE OPTIONAL

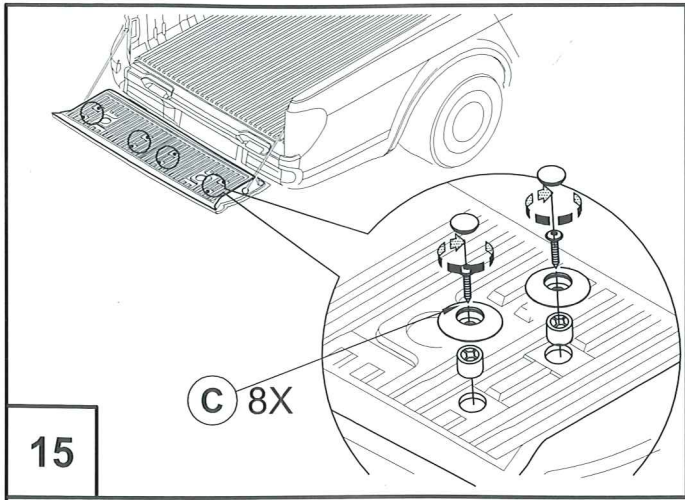


Fitting Kit Number	Manufacturer	Model Type	Year	Customer	Cab Size	UR or OR	Revision	Date	Page
IDFK95	Mitsubishi	L200	2009+	GENERAL USE	DC	Over Rail	2	21-01-10	1 of 3





Fitting Kit Number	Manufacturer	Model Type	Year	Customer	Cab Size	UR or OR	Revision	Date	Page
IDFK95	Mitsubishi	L200	2009+	GENERAL USE	DC	Over Rail	2	21-01-10	2 of 3



15

Fitting Kit Number	Manufacturer	Model Type	Year	Customer	Cab Size	UR or OR	Revision	Date	Page
IDFK95	Mitsubishi	L200	2009+	GENERAL USE	DC	Over Rail	2	21-01-10	3 of 3