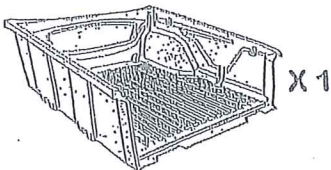


BED LINER INSTALLATION MANUAL

FOR D/C SP/C S/C 1365

PART LISTS



OPTION



X1

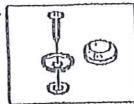


X2



X4 FOR D/C

X6 FOR SP/C, S/C

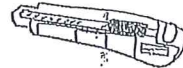


X4

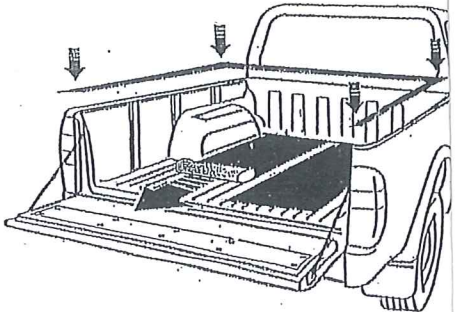
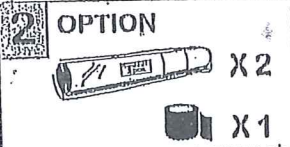
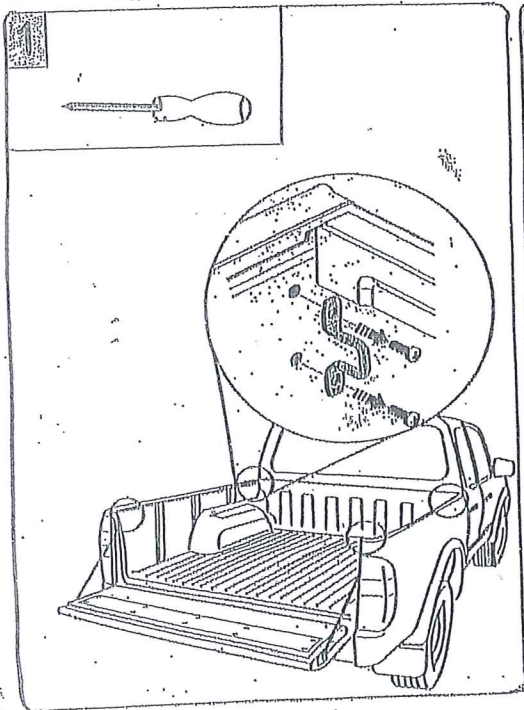


X1

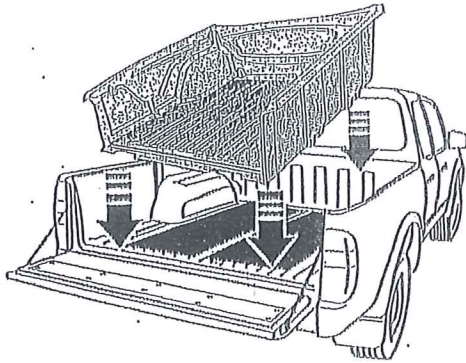
TOOLS



Nb.4



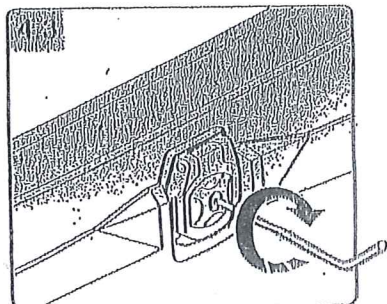
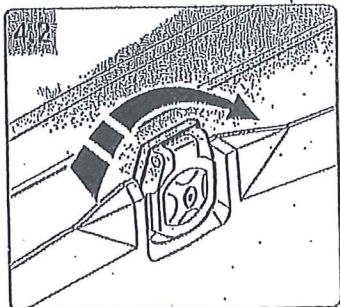
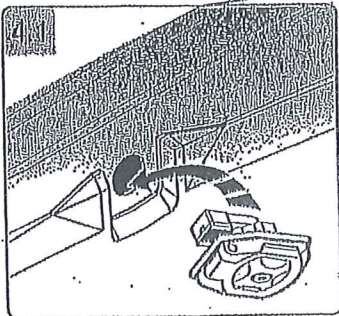
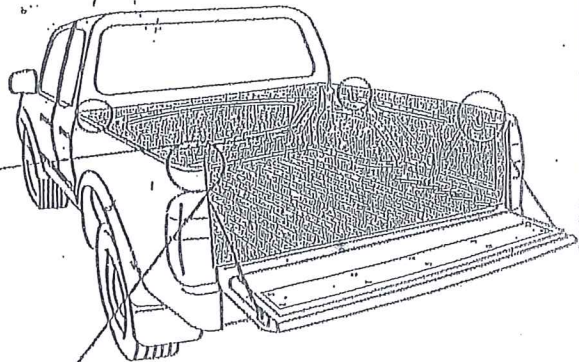
3

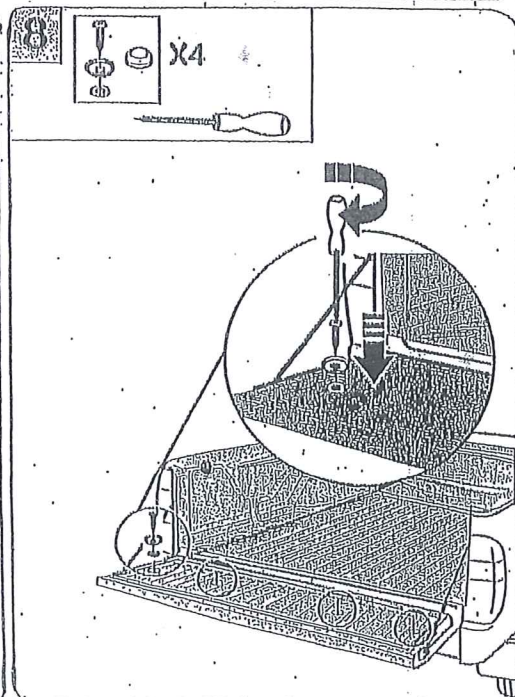
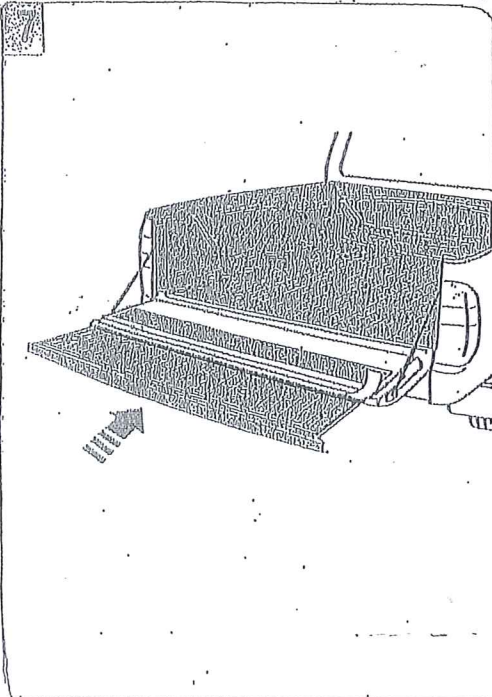
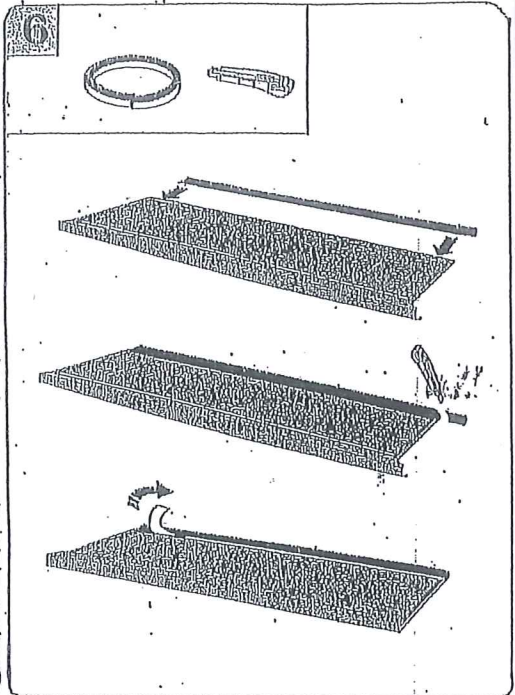
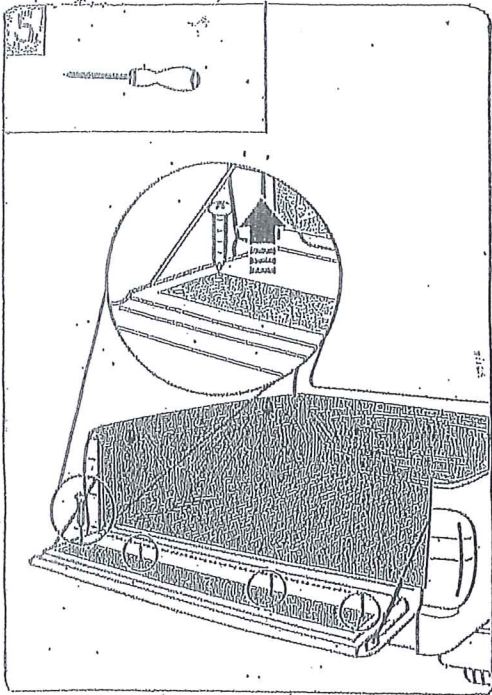


4

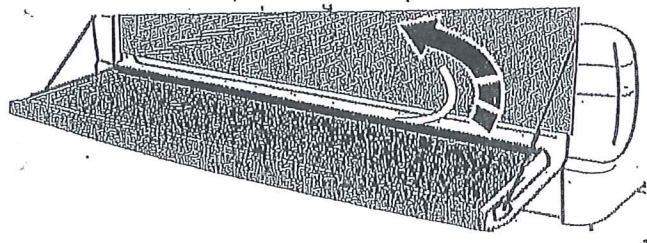
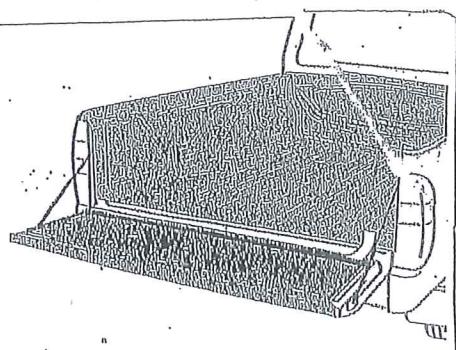


X 4 FOR D/C
 X 6 FOR SP/C





9



10

X4

