



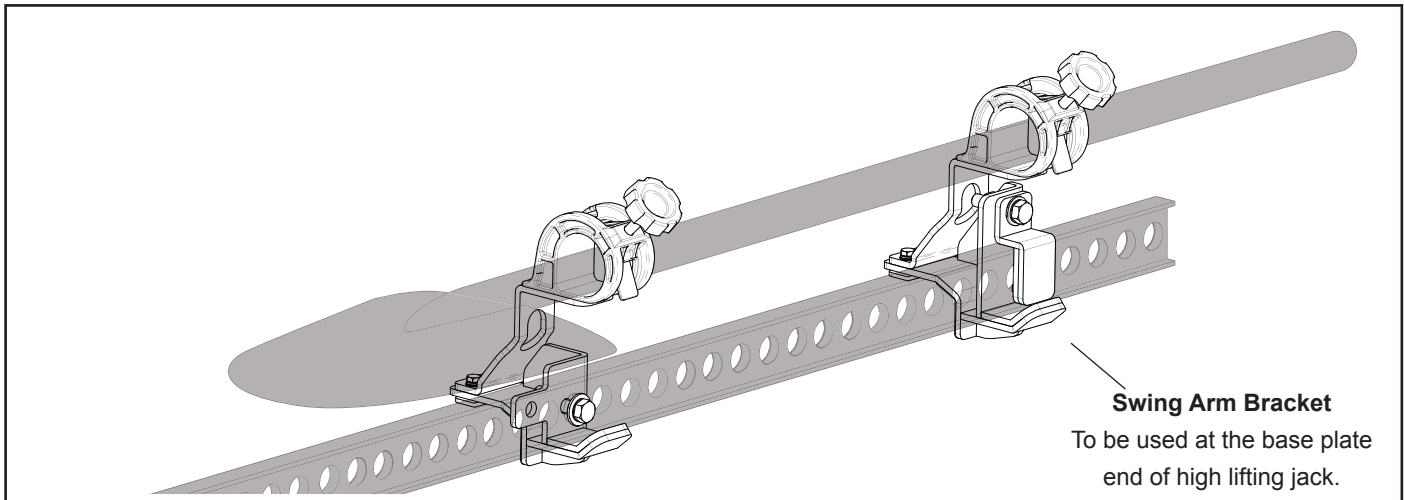
CONTROLLED

RHINO-RACK

43157 - Pioneer Combination Shovel Holder Bracket

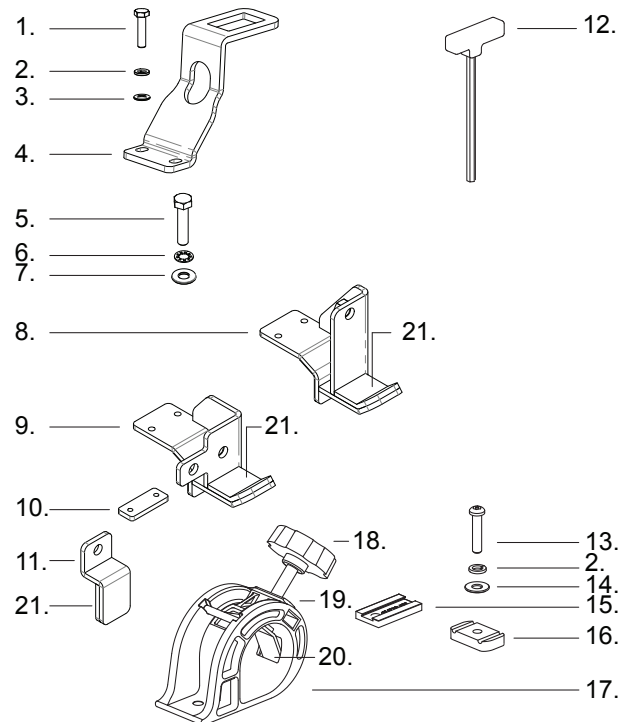
Place these instructions in the vehicle's glove box after installation is complete.

Important: Please read these instructions carefully prior to installation.
Please refer to your fitting instruction to ensure that the alloy tray is installed correctly.
Check the contents of this kit before commencing fitment and report any discrepancies.



Parts List

Item	Component Name	Qty	Part No.
1	M6 x 25mm Hex Screw	4	B067
2	M6 Spring Washer	6	W004
3	M6 x OD12.5mm Flat Washer	4	W003
4	Combination Bracket	2	C839
5	M10 x 45mm Hex Bolt	2	B080
6	M10 Shakeproof Washer	2	W021
7	M10 x OD21mm Flat Washer	2	W005
8	Holder Bracket - Clamp Type	1	C767
9	Holder Bracket - Bolt Type	1	C768
10	M6 Plate Nut	2	C838
11	Swing Clamp	1	C769
12	5mm Security Allen Key	1	SECKEY-L
13	M6 x 20mm Security Screw	2	B062
14	M6 x 16mm Flat Washer	2	W031
15	Shovel Holder Support Block HD Bars	2	M217
16	M6 Channel Nut	2	N002
17	Shovel Holder Body	2	M216
18	Shovel Holder Bolt	2	B146
19	M8 Nyloc Nut Deltacol	2	N043
20	Shovel Holder Tongue	2	M223
21	Sportz Rail Bar Diecut PVC	3	Z020
22	Instructions	1	R585



Tools Required
Allen Key (provided in kit)
10mm Spanner

Care Instruction
Clean alloy tray prior to fitting the jack holder and combination brackets

Rhino-Rack
3 Pike Street, Rydalmere,
NSW 2116, Australia.
(Ph) (02) 9638 4744
(Fax) (02) 9638 4822

Document No: R585
Prepared By: Kayle Everett
Authorised By: Chris Murty

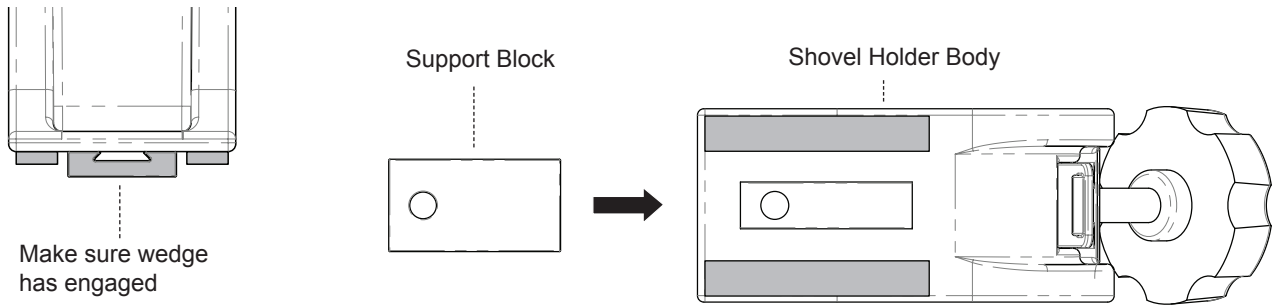
Fit Time: 10min
Issue No: 05
Issue Date: 27/04/2016

These instructions remain the property of Rhinorack Australia Pty Ltd and may not be used or changed for any other purpose than intended.

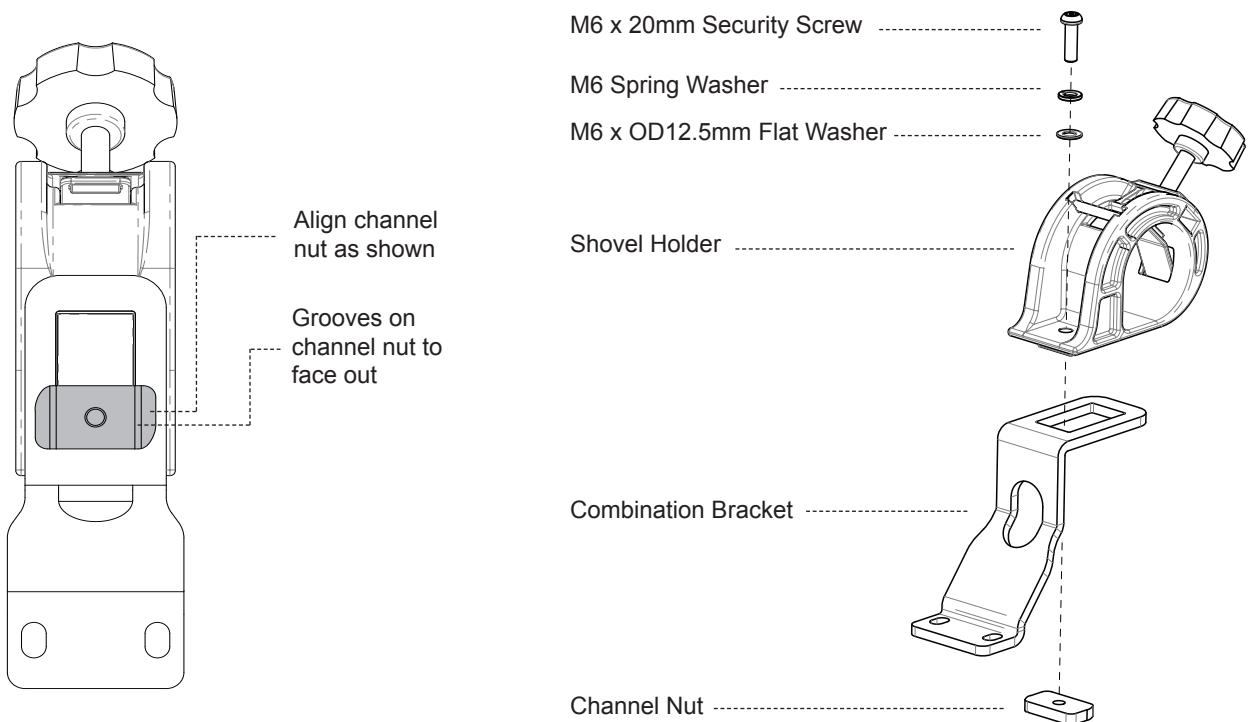


43157 - Pioneer Combination Shovel Holder Bracket

- 1** Slide the support block onto the shovel holder body until the hole lines up with the hole in the body. Make sure that the wedge shape is engaged as shown.

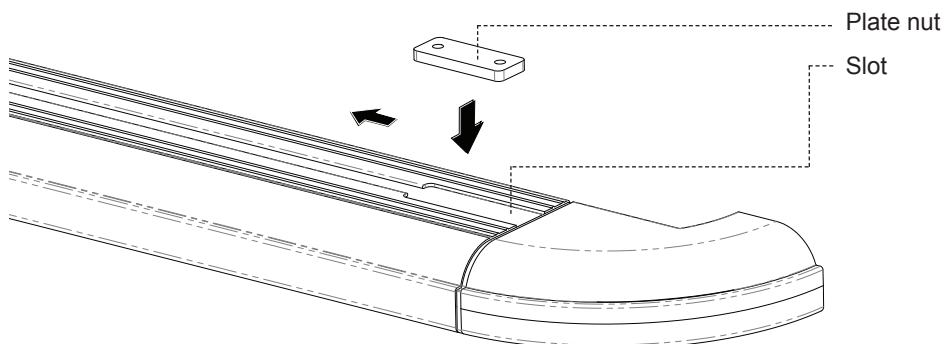


- 2** Fit the shovel holder to the combination bracket as shown below using the hardware provided (supplied in kit RPSHB). Be sure when tightening the bolt that the channel nut sits in the correct orientation as shown, you may need a shifting spanner to stop the channel nut from rotating.



- 3** Insert the plate nuts into the slot at the front of the Alloy Tray and slide each nut to the desired mount location.

Note: Jack must be fitted to the **Rear Left** of tray (with base plate of jack at rear) or **Front Right** of tray (with base plate of jack at front). This provides the correct orientation for the jack to be transported in a safe and secure manner.



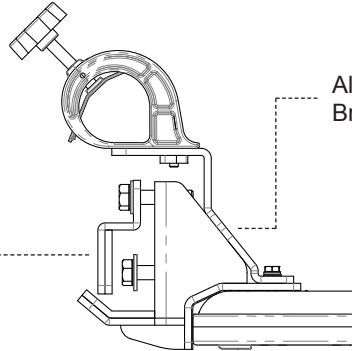


43157 - Pioneer Combination Shovel Holder Bracket

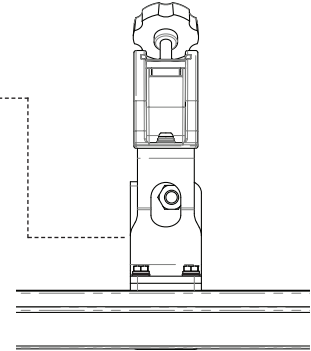
4 Place the jack holder brackets on the alloy tray so they sit over the plate nuts previously inserted. Hold in position and lower the brackets on top as shown. Fasten in position with the hardware supplied making sure that the two brackets remain square and are aligned at the edges (refer images below).

Swing Arm Bracket

To be used at the base plate end of high lifting jack.



Align Edge of Brackets



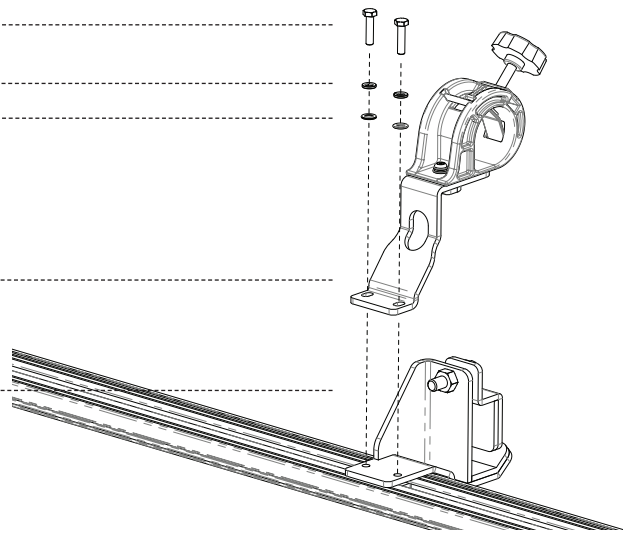
M6 x 25mm Hex Screw

M6 Spring Washer

M6 x OD12.5mm Flat Washer

Combination Bracket Assembly

Jack Holder Bracket

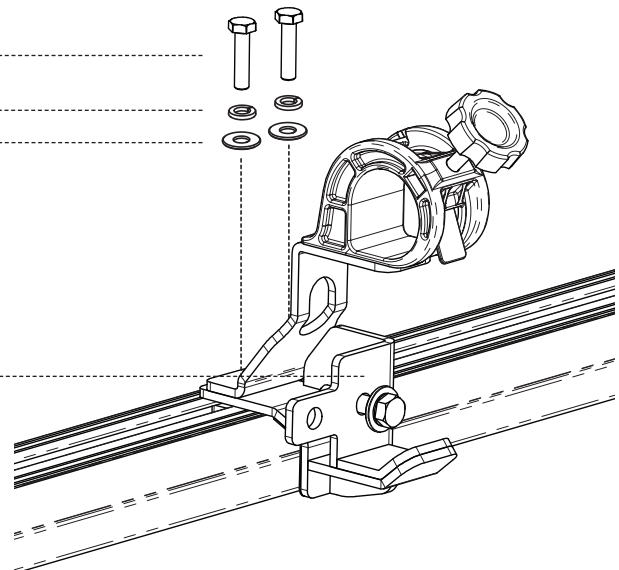


M6 x 25mm Hex Screw

M6 Spring Washer

M6 x OD12.5mm Flat Washer

Holder Bracket - Bolt Type

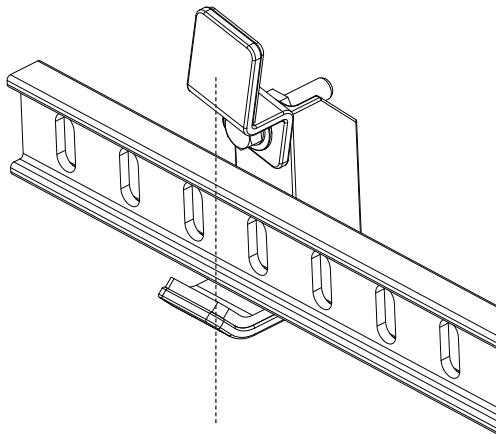




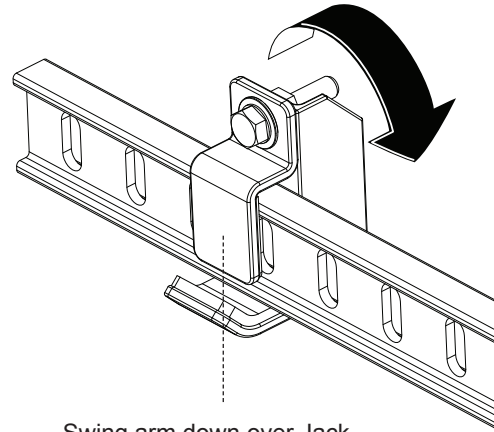
43157 - Pioneer Combination Shovel Holder Bracket

5

With the high lift jack in place swing the clamp over the jack arm and tighten the bolt.



Front of High Lift Jack.



Swing arm down over Jack.

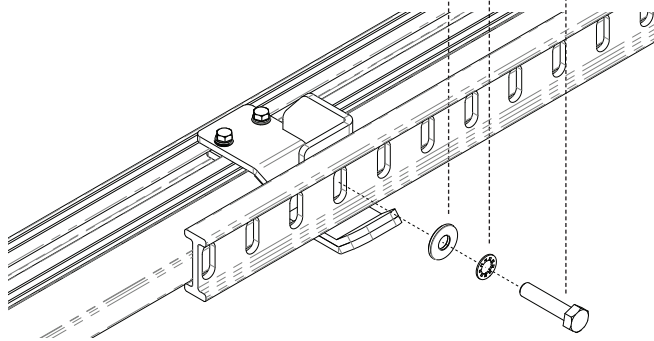
6

Fix the lift jack using the M10 Bolt as shown. Insert the bolt hardware through the jack and fasten to the jack holder bracket as shown below right. Tighten both bolts securely with a 16mm spanner (**tighten to 17-19 Nm**)

M10x45mm Security Screw

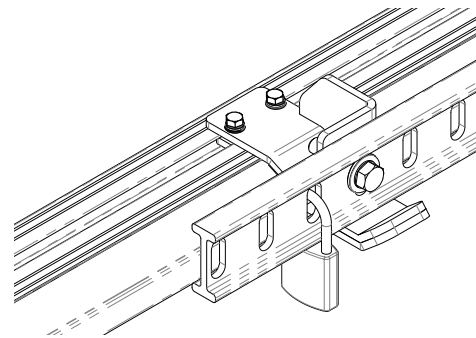
M10 Shake Proof Washer

M10 x OD21mm Flat Washer



Padlock Fitment (Optional)

Jack can be secured with a padlock as shown in image below.



FITMENT NOTE:

The correct orientation for the jack to be transported in a safe and secure manner is detailed below. The jack holder brackets must be fitted in one of these locations:

Rear Left of tray (with base plate of jack at rear of vehicle) or

Front Right of tray (with base plate of jack at front of vehicle)