



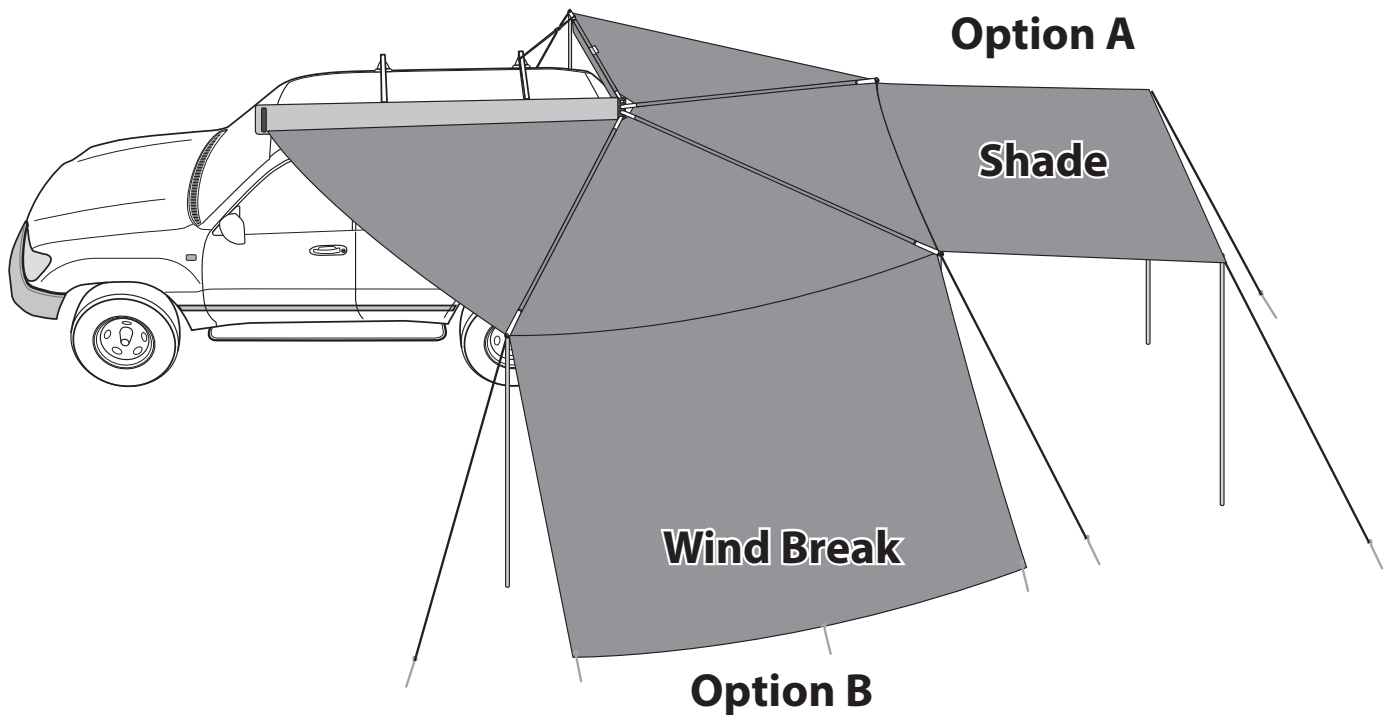
CONTROLLED

RHINO-RACK

Rhino-Rack Foxwing and Sunseeker Awning Extension (31101)

Important: Please read these instructions carefully prior to installation.
Check the contents of kit before commencing fitment and report any discrepancies.
Place these instructions in the vehicle's glove box after installation is complete.

Layout



Note : The poles and ropes must always be used when the FOXWING awning is open
Up to 4 awning extensions can be fitted at one time

**This kit is to be used in conjunction with the Rhino-Rack Foxwing Awning
or Rhino-Rack Sunseeker Awning**

Important Information

Please remove FOXWING / SUNSEEKER Awning and crossbars when putting vehicle through an automatic car wash.

Note for Dealers and Fitters

It is your responsibility to ensure that this fitting instruction is given to the end user or client.

Rhino-Rack
3 Pike Street, Rydalmere,
NSW 2116, Australia.
(Ph) (02) 9638 4744
(Fax) (02) 9638 4822

Document No: RR223
Prepared By: Kayle Everett
Authorised By: Chris Murty

Fit Time: 3-5min
Issue No: 04
Issue Date: 09/05/2017

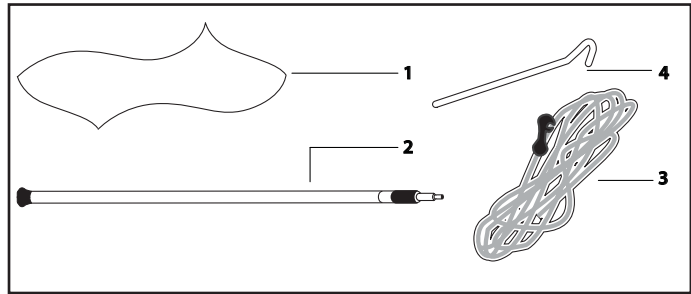
These instructions remain the property of Rhino-Rack Australia Pty Ltd and may not be used or changed for any other purpose than intended.



Rhino-Rack Foxwing and Sunseeker Awning Extension (31101)

Parts List

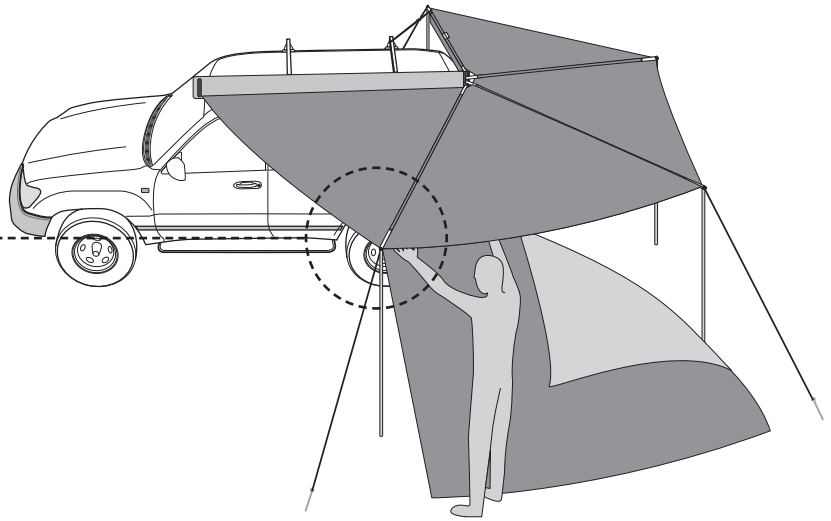
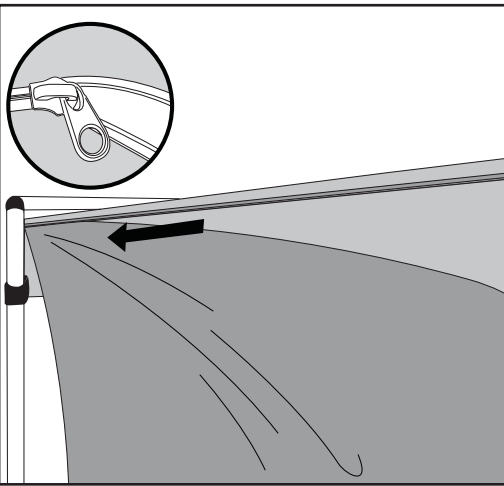
Item	Component	Qty	Part No.
1	Foxwing/ Sunseeker Extension	1	31101
2	Poles	2	C915
3	Guy Rope	2	C910
4	Metal Peg	3	C909
5	Fitting Instruction	1	RR223



Tools Required: Mallet.

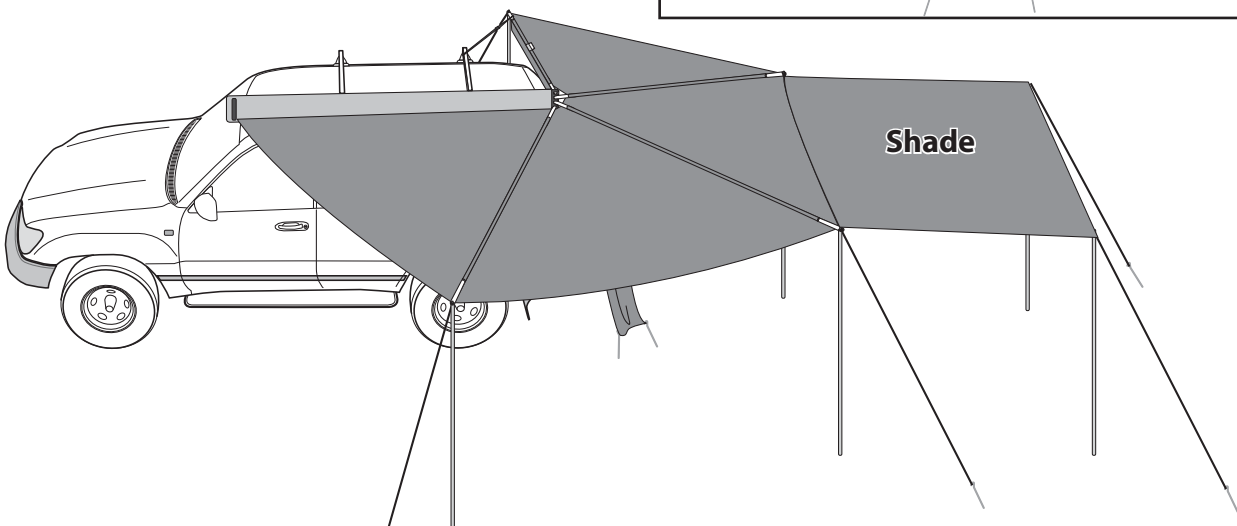
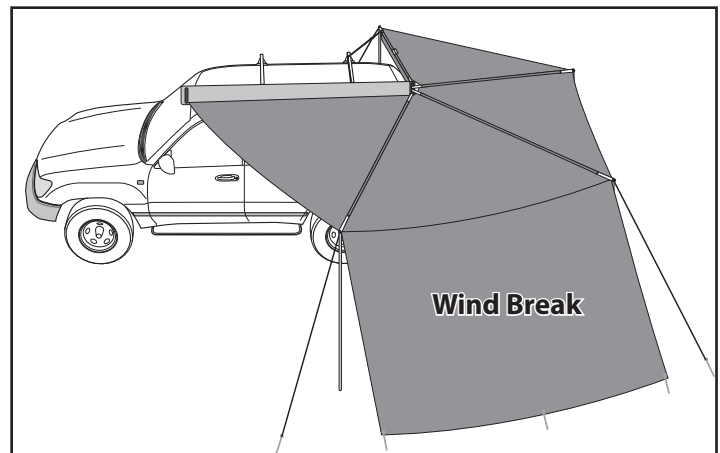
Fitting Instructions

1



2

Fit the extension for either shade or to act as a wind break.

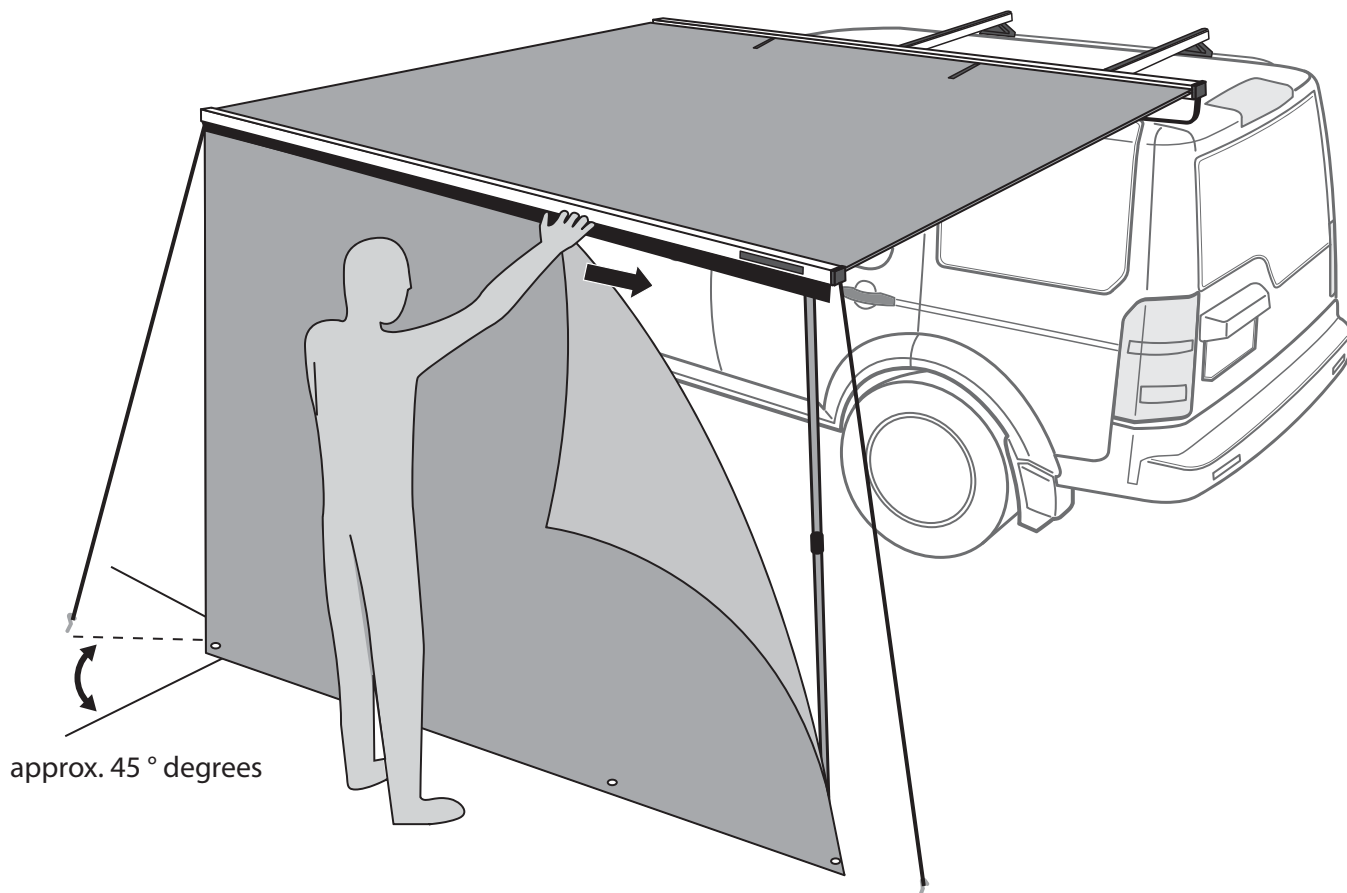




Rhino-Rack Foxwing and Sunseeker Awning Extension (31101)

3

For fitment to a Sunseeker, 32106 is required (sold as separate and only required for Sunseeker 1).



4

Ropes must always be used when Sunseeker is open.

